



US00D835727S

(12) **United States Design Patent** (10) **Patent No.:** **US D835,727 S**  
**Ross et al.** (45) **Date of Patent:** **\*\* Dec. 11, 2018**

(54) **CONSTRUCTION SET ELEMENT**  
(71) Applicant: **MEGA Brands Inc.**, Montreal (CA)  
(72) Inventors: **Steve Ross**, St-Jacques (CA); **Maxime Pouliot**, Pierrefonds (CA)  
(73) Assignee: **MEGA Brands Inc.**, Montreal, Quebec (CA)

D233,541 S \* 11/1974 Christiansen ..... D21/500  
D233,542 S \* 11/1974 Christiansen ..... D21/500  
D246,927 S 1/1978 Christiansen  
4,164,090 A 8/1979 Fischer  
4,222,181 A 9/1980 Cummings  
D262,045 S 11/1981 Nakao et al.  
4,306,373 A 12/1981 Chatani et al.  
4,375,139 A 3/1983 Chatani

(Continued)

(\*\*) Term: **15 Years**  
(21) Appl. No.: **29/610,873**  
(22) Filed: **Jul. 17, 2017**

**FOREIGN PATENT DOCUMENTS**

FR 2639556 6/1990

**OTHER PUBLICATIONS**

Web page printout from "90 » SNOT degree »The ultimate SNOT references," Sep. 5, 2013, reference link (<https://web.archive.org/web/20130905122943/http://swooshable.com/snot/degree/90/>), 6 pages.

(Continued)

*Primary Examiner* — Cynthia M. Chin  
(74) *Attorney, Agent, or Firm* — Plumsea Law Group, LLC

**Related U.S. Application Data**

(60) Continuation-in-part of application No. 29/592,892, filed on Feb. 3, 2017, now Pat. No. Des. 797,203, which is a division of application No. 29/515,638, filed on Jan. 26, 2015, now Pat. No. Des. 781,964.

(51) **LOC (11) Cl.** ..... **21-01**  
(52) **U.S. Cl.**  
USPC ..... **D21/484**; D21/495

(58) **Field of Classification Search**  
USPC ..... D21/386, 389, 404, 468, 470, 471, D21/484–505; 446/69, 85, 102–128; 434/208, 259, 403; 273/153, 156, 160  
CPC ..... A63H 33/00; A63H 33/04; A63H 33/044; A63H 33/06; A63H 33/08; A63H 33/084; A63H 33/086; A63H 33/088; A63H 33/10; A63H 33/12; A63H 33/105; A63H 33/108; A63H 3/00; A63H 3/16; A63H 3/46; E04C 1/00; E04C 1/40; E04B 2/14; E04B 2/16; E04B 2/18

See application file for complete search history.

(57) **CLAIM**

The ornamental design for a construction set element, as shown and described.

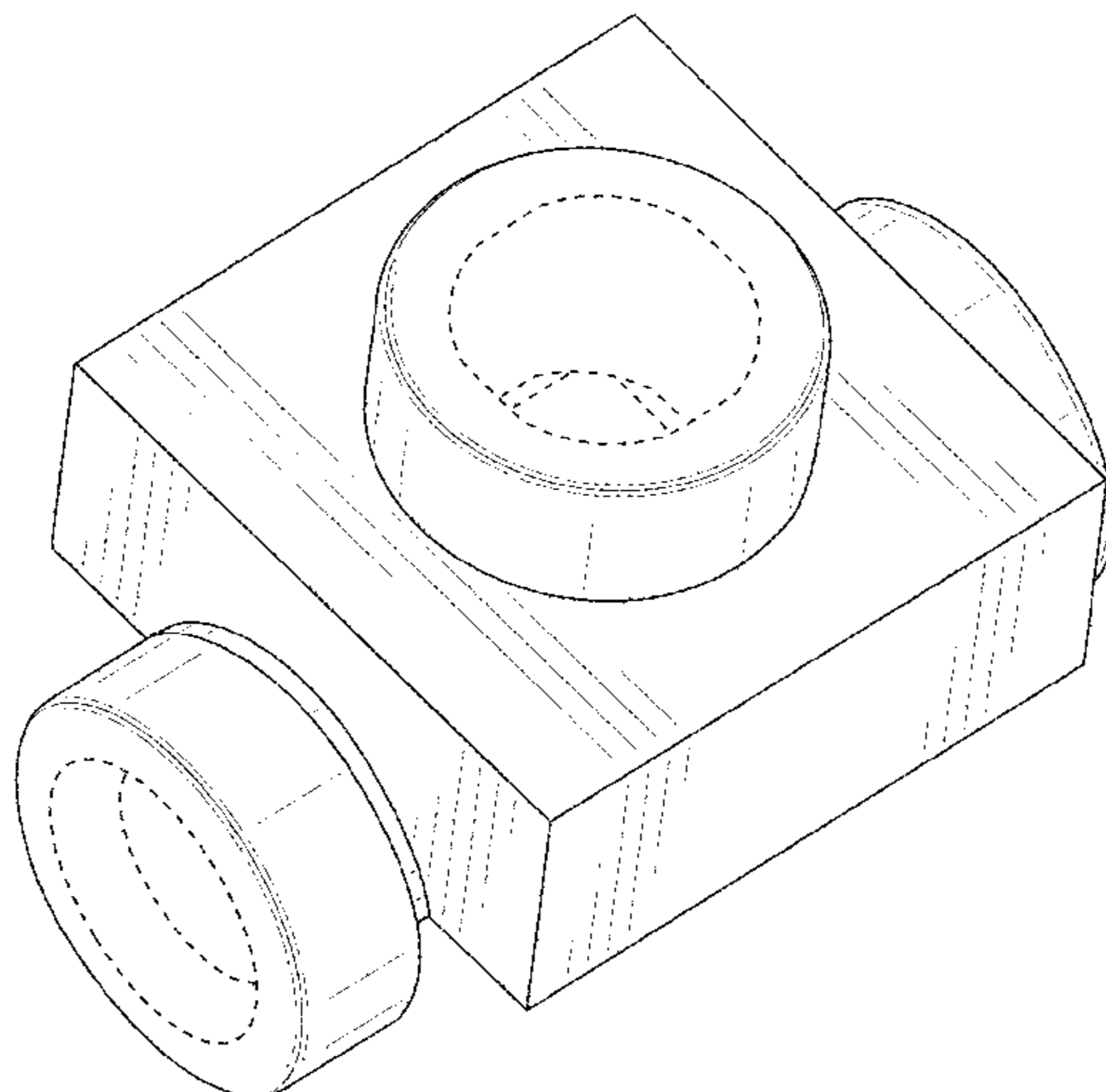
**DESCRIPTION**

FIG. 1 is a top perspective view of a construction set element showing the new design;  
FIG. 2 is a front elevational view thereof;  
FIG. 3 is a rear elevational view thereof;  
FIG. 4 is a side elevational view thereof;  
FIG. 5 is an opposite side elevational view thereof;  
FIG. 6 is a top plan view thereof; and,  
FIG. 7 is a bottom plan view thereof.  
The evenly spaced broken lines and unshaded areas are included to illustrate parts of the article's appearance that form no part of the claimed design.

(56) **References Cited**  
U.S. PATENT DOCUMENTS

D117,554 S 11/1939 Bojesen  
3,261,619 A 7/1966 Norgaard, Jr. et al.

**1 Claim, 7 Drawing Sheets**



(56)

References Cited

U.S. PATENT DOCUMENTS

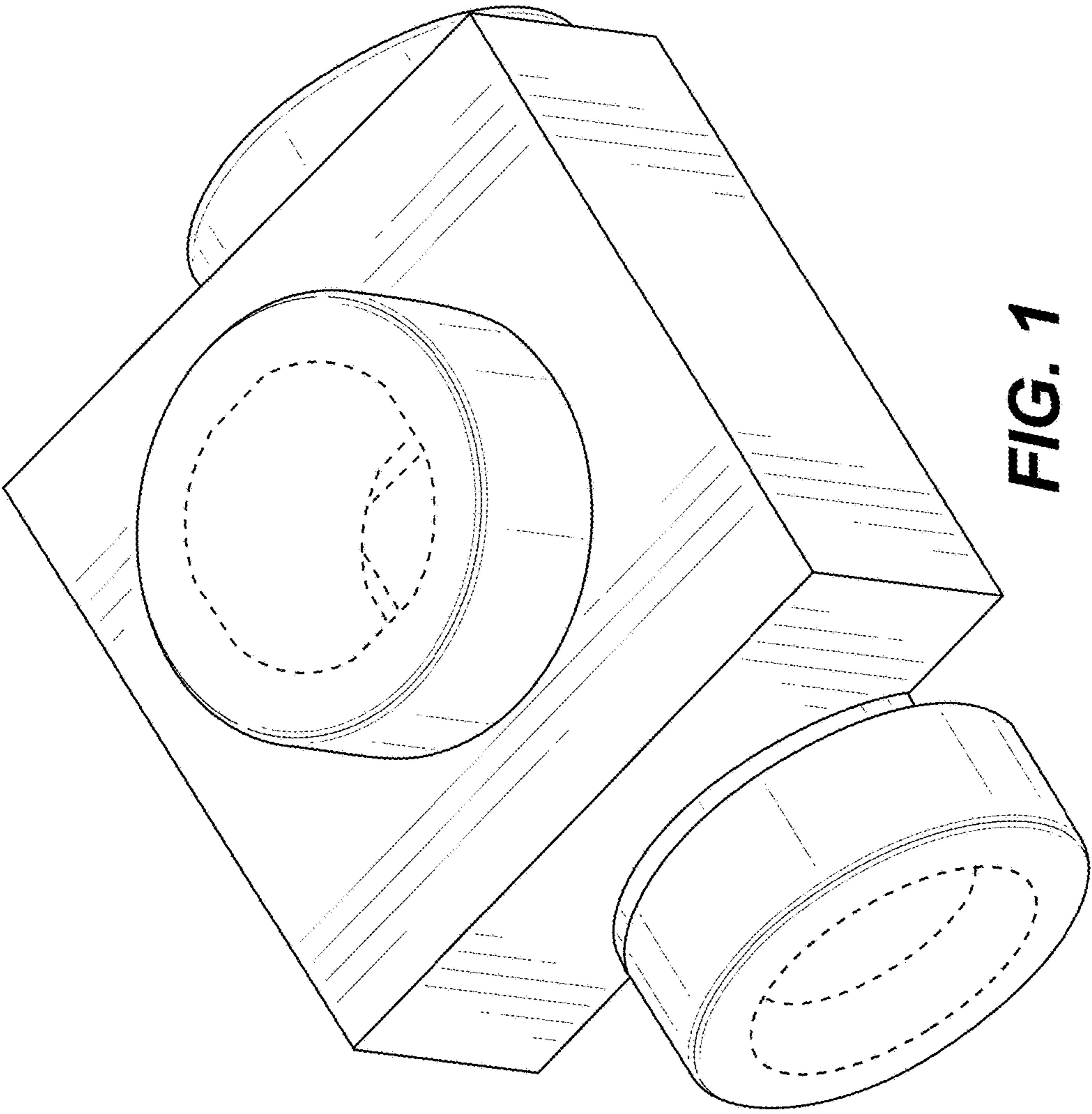
D272,167 S \* 1/1984 Chatani ..... D21/499  
 D272,256 S 1/1984 Chatani et al.  
 4,446,649 A 5/1984 Moe et al.  
 D294,373 S 2/1988 Bertrand  
 D295,642 S 5/1988 Olsen  
 D295,649 S 5/1988 Takahashi  
 D295,993 S 5/1988 Knudsen  
 D296,342 S 6/1988 Knudsen  
 D301,260 S 5/1989 McLaughlin et al.  
 D308,706 S 6/1990 Mikkelsen  
 D309,638 S 7/1990 Meyer  
 D324,084 S 2/1992 Knudsen  
 D325,052 S 3/1992 Andersen  
 5,120,253 A 6/1992 Gelardi  
 D344,305 S 2/1994 Berggreen  
 D344,552 S 2/1994 Berggreen  
 D346,627 S \* 5/1994 Bach ..... D21/501  
 5,310,376 A \* 5/1994 Mayuzumi ..... A63H 33/04  
 446/107  
 D363,516 S 10/1995 Mathiesen  
 5,611,187 A 3/1997 Jones  
 5,662,508 A \* 9/1997 Smith ..... A63H 33/04  
 229/127  
 D394,469 S 5/1998 Nielsen  
 D394,471 S 5/1998 Frederiksen  
 D394,680 S 5/1998 Andersen  
 5,853,314 A 12/1998 Bora  
 D411,591 S 6/1999 Laserna Fernandez  
 5,919,077 A 7/1999 Gondcaille  
 D412,725 S 8/1999 Nielsen et al.  
 6,616,500 B1 9/2003 Harms et al.  
 D515,634 S 2/2006 Paterson  
 D541,882 S 5/2007 Petersen  
 D546,401 S 7/2007 Sorensen  
 D561,845 S 2/2008 Glickman et al.  
 D608,400 S 1/2010 Ryaa

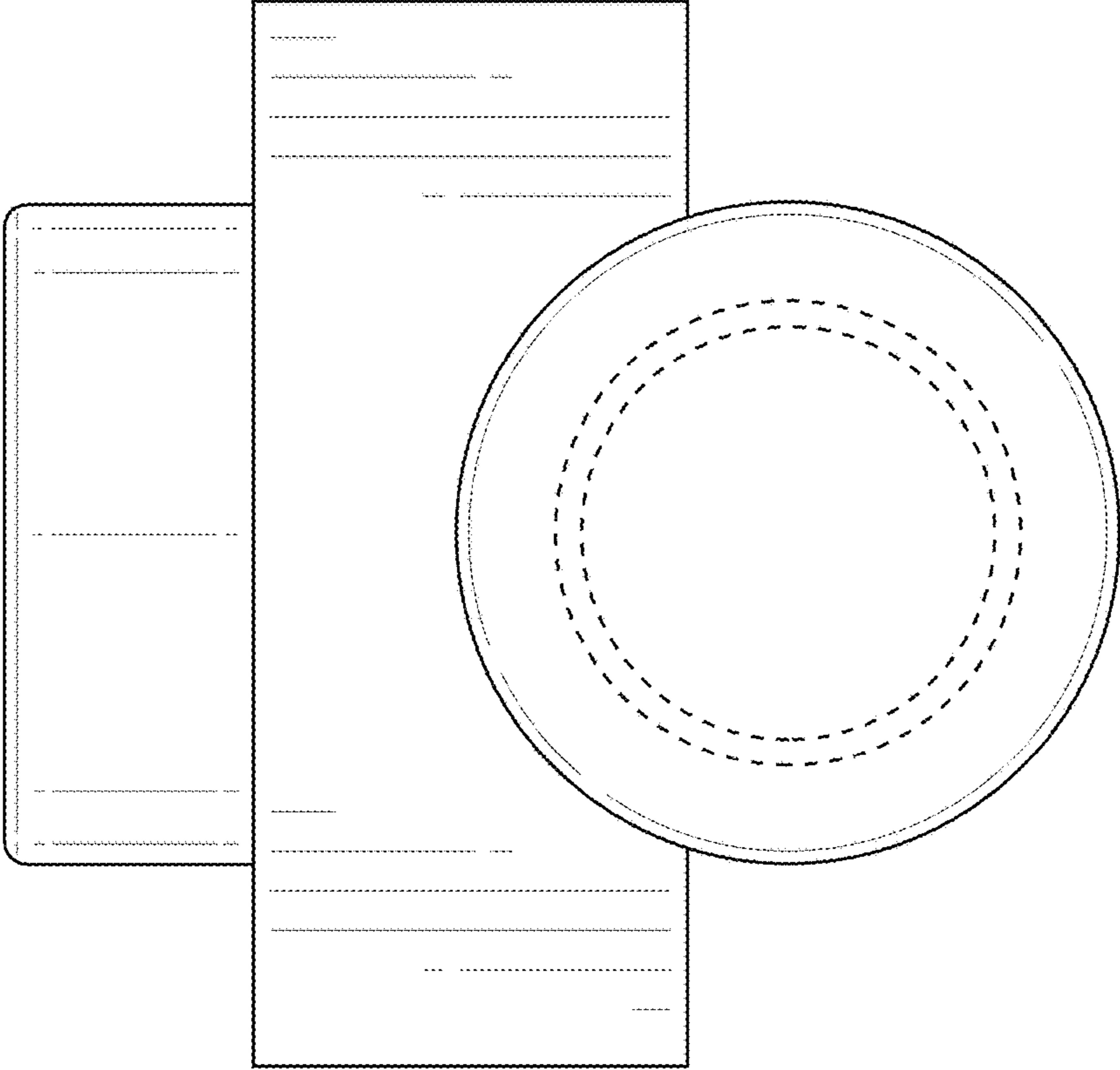
D672,402 S 12/2012 Macadam  
 8,371,894 B1 2/2013 Rosen et al.  
 D682,950 S 5/2013 Johansson  
 D688,328 S 8/2013 Holm  
 D688,753 S 8/2013 Holm  
 D695,849 S 12/2013 Andersen  
 D695,850 S 12/2013 Andersen  
 D695,851 S 12/2013 Holm  
 D696,360 S 12/2013 Holm  
 D701,923 S 4/2014 Jensen  
 D755,903 S 5/2016 Chen et al.  
 D755,904 S 5/2016 Chen et al.  
 D758,500 S 6/2016 Sorensen  
 2005/0215172 A1 9/2005 Chen  
 2008/0242189 A1 10/2008 Han  
 2014/0262896 A1 9/2014 Ficko  
 2017/0189826 A1 \* 7/2017 Chin ..... A63H 33/042

OTHER PUBLICATIONS

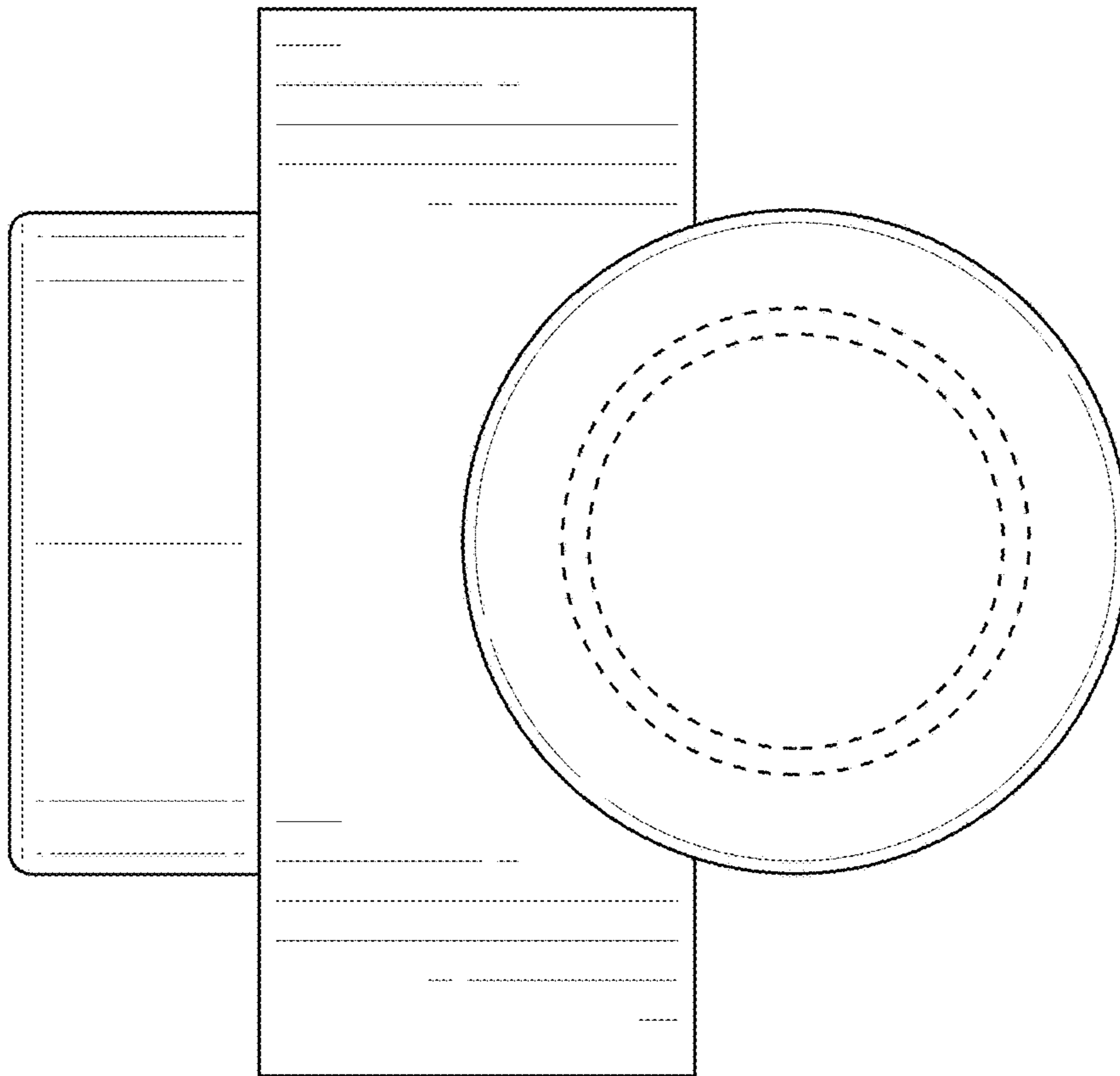
Web page printout from “90-Inverted » SNOT degree »The ultimate SNOT reference,” Sep. 7, 2013, reference link (<https://web.archive.org/web/20130907052738/http://swooshable.com/snot/degree/90-inverted/>), 3 pages.  
 Web page printout from “180 » SNOT degree »The ultimate SNOT reference,” Sep. 7, 2013, reference link <https://web.archive.org/web/20130907052733/http://swooshable.com/snot/degree/180/>), 6 pages.  
 Web page printout from “180-inverted » SNOT degree »The ultimate SNOT reference,” Sep. 7, 2013, reference link (<https://web.archive.org/web/20130907052508/http://swooshable.com/snot/degree/180-inverted/>), 4 pages.  
 The Unofficial Lego Advanced Building Techniques Guide, 2007, 37 pages.  
 Web page printout from “SNOT techniques—Brickwiki,” May 22, 2014, reference link ([http://www.brickwiki.info/wiki/SNOT\\_techniques](http://www.brickwiki.info/wiki/SNOT_techniques)), 3 pages.

\* cited by examiner

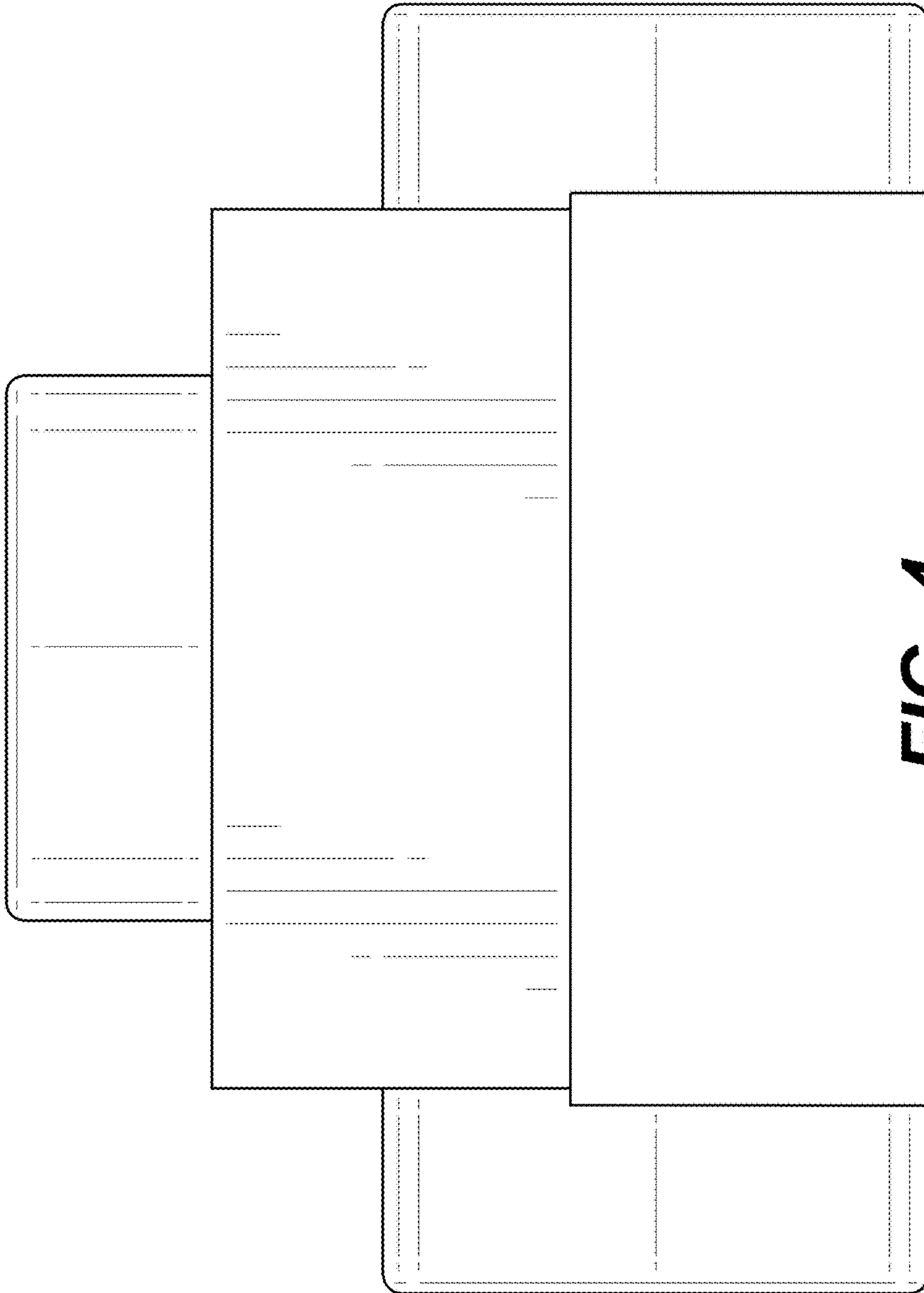




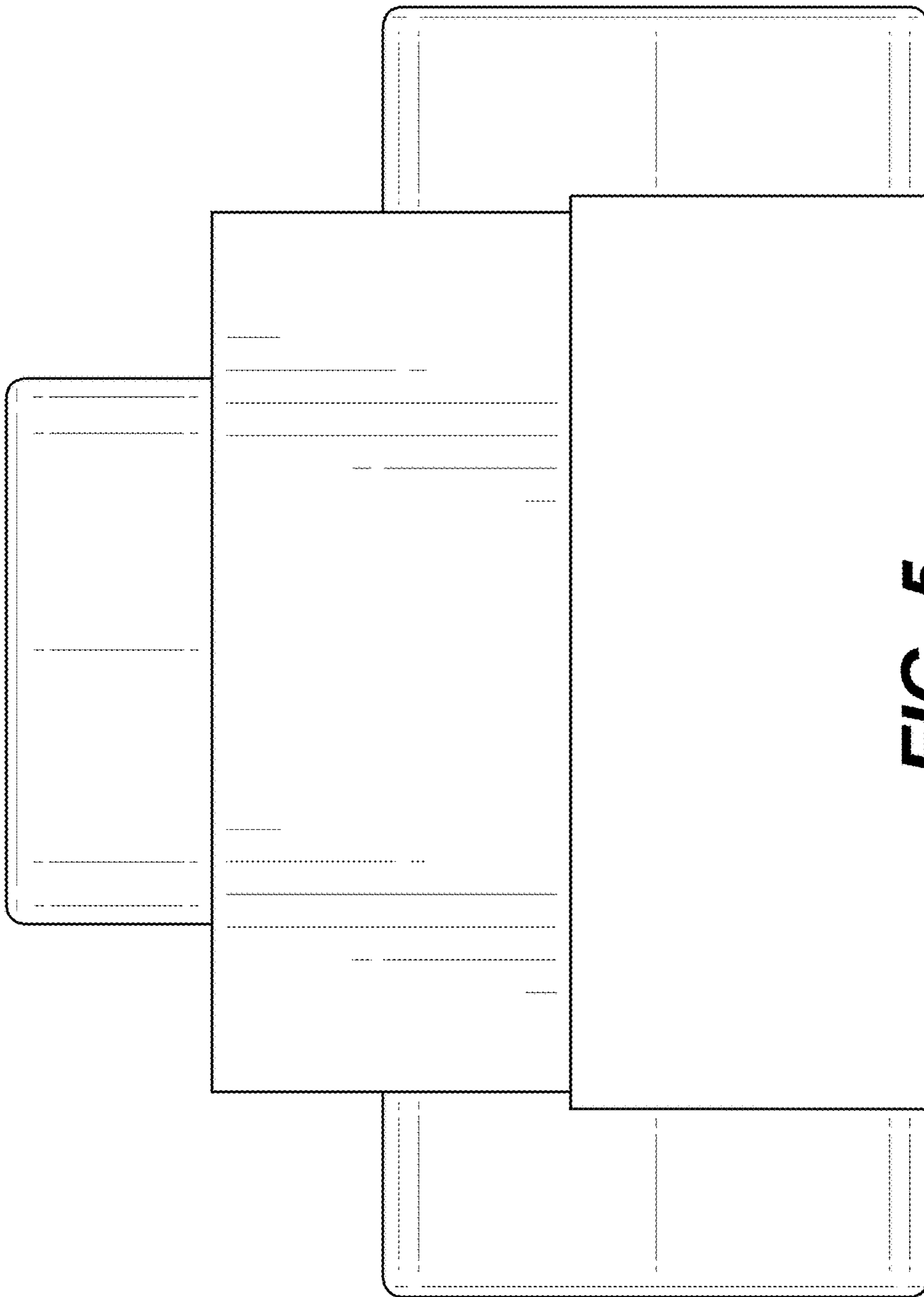
**FIG. 2**



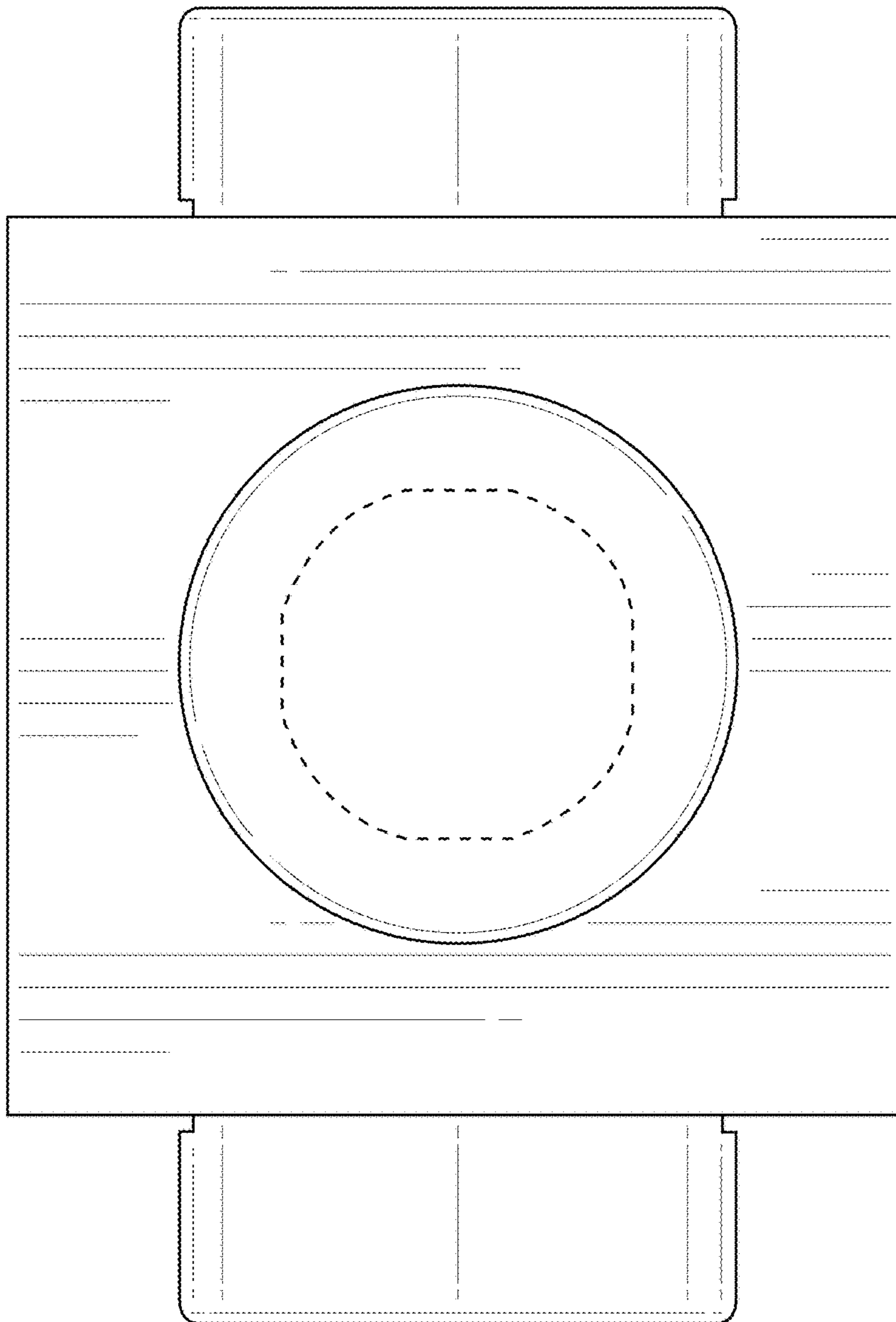
**FIG. 3**



**FIG. 4**

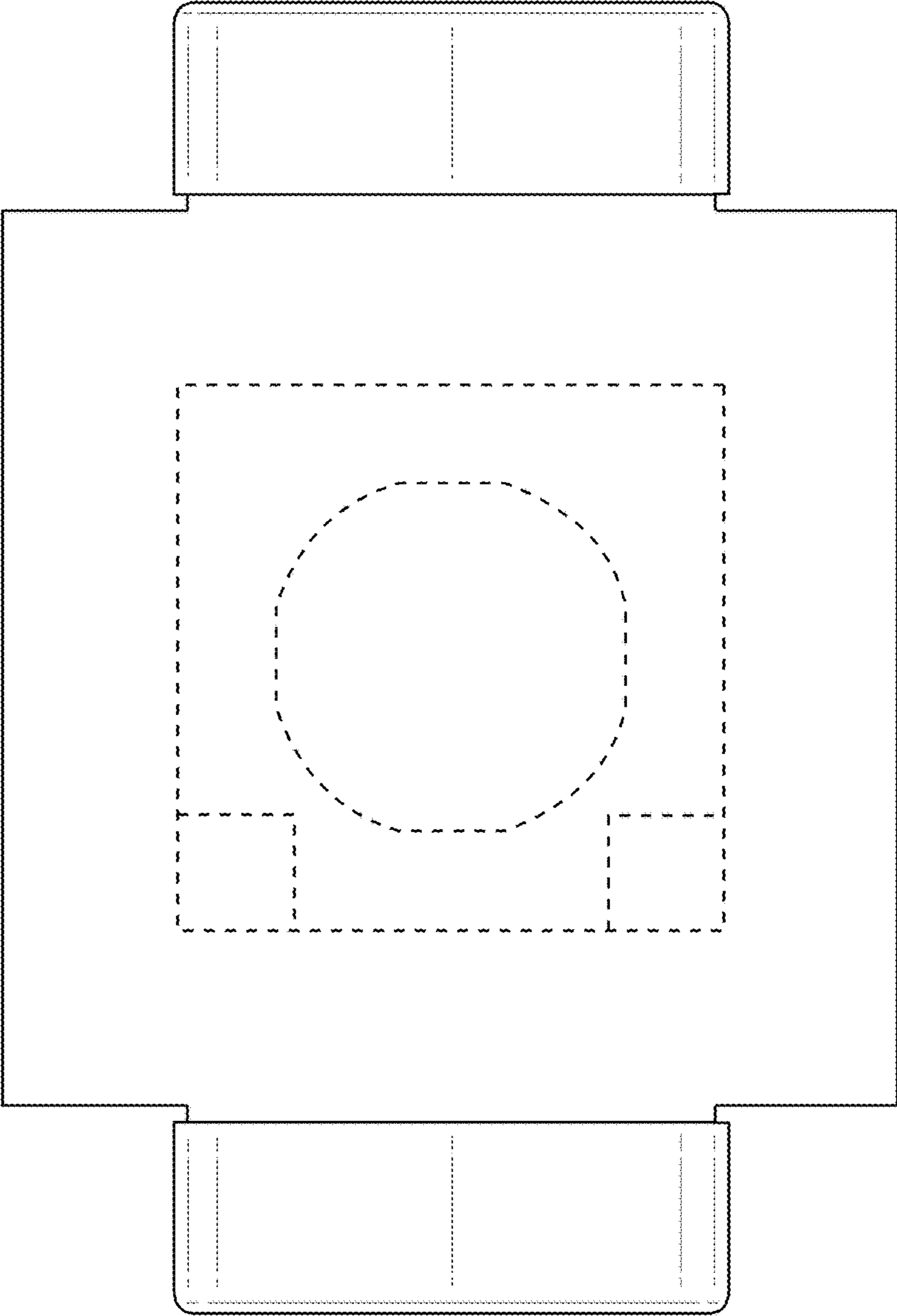


**FIG. 5**



**FIG. 6**





**FIG. 7**