



US00D835724S

(12) **United States Design Patent**
Muraki

(10) **Patent No.:** **US D835,724 S**
(45) **Date of Patent:** **** Dec. 11, 2018**

(54) **SPINNING TOP TOY**

FOREIGN PATENT DOCUMENTS

(71) Applicant: **TOMY COMPANY, LTD.**, Tokyo (JP)
(72) Inventor: **Makoto Muraki**, Tokyo (JP)
(73) Assignee: **TOMY COMPANY, LTD.**, Tokyo (JP)
(**) Term: **15 Years**

CN	302092851	*	9/2012	
CN	302143915	*	10/2012	
CN	302309511	*	1/2013	
CN	302393900	*	4/2013	
CN	304015212	*	1/2017	
EM	003047489-0001	*	4/2016	
EM	003253442-0007	*	7/2016	
EM	003318252-0005	*	8/2016	
EM	003318252-0006	*	8/2016	
EM	003534551-0001	*	1/2017	
EM	003844968-0001	*	7/2017	
JP	3154824	U	* 10/2009 A63H 1/16
JP	3160657	U	* 7/2010 A63H 1/00
JP	6111365	B1	* 4/2017 A63H 1/02
JP	6232112	B1	* 11/2017 A63H 1/04
WO	D098063-003	*	10/2017	
WO	D098063-004	*	10/2017	

(21) Appl. No.: **29/630,473**

(22) Filed: **Dec. 21, 2017**

(30) **Foreign Application Priority Data**

Jun. 30, 2017 (JP) 2017-014178

(51) **LOC (11) Cl.** **21-01**

(52) **U.S. Cl.**
USPC **D21/460**

(58) **Field of Classification Search**
USPC D21/455-464; 446/236-266
CPC A63H 1/00-1/32; A63F 9/16
See application file for complete search history.

(56) **References Cited**

U.S. PATENT DOCUMENTS

D608,842	S	*	1/2010	Nishimoto	D21/460
D614,245	S	*	4/2010	Ujita	D21/460
D639,348	S	*	6/2011	Ujita	D21/460
D639,869	S	*	6/2011	Nishimoto	D21/460
D660,918	S	*	5/2012	Ujita	D21/460
D662,556	S	*	6/2012	Horikoshi	D21/460
D665,859	S	*	8/2012	Horikoshi	D21/460
D666,252	S	*	8/2012	Ujita	D21/460
D666,253	S	*	8/2012	Ujita	D21/460
D667,894	S	*	9/2012	Horikoshi	D21/460
D820,919	S	*	6/2018	Horikoshi	D21/460
2018/0104602	A1	*	4/2018	Muraki	A63H 1/00

* cited by examiner

Primary Examiner — Catherine A Tuttle

(74) *Attorney, Agent, or Firm* — Staas & Halsey LLP

(57) **CLAIM**

The ornamental design for a spinning top toy, as shown.

DESCRIPTION

FIG. 1 is a front view of the spinning top toy showing my design;

FIG. 2 is a left side view thereof;

FIG. 3 is a rear view thereof;

FIG. 4 is a right side view thereof;

FIG. 5 is a top view thereof;

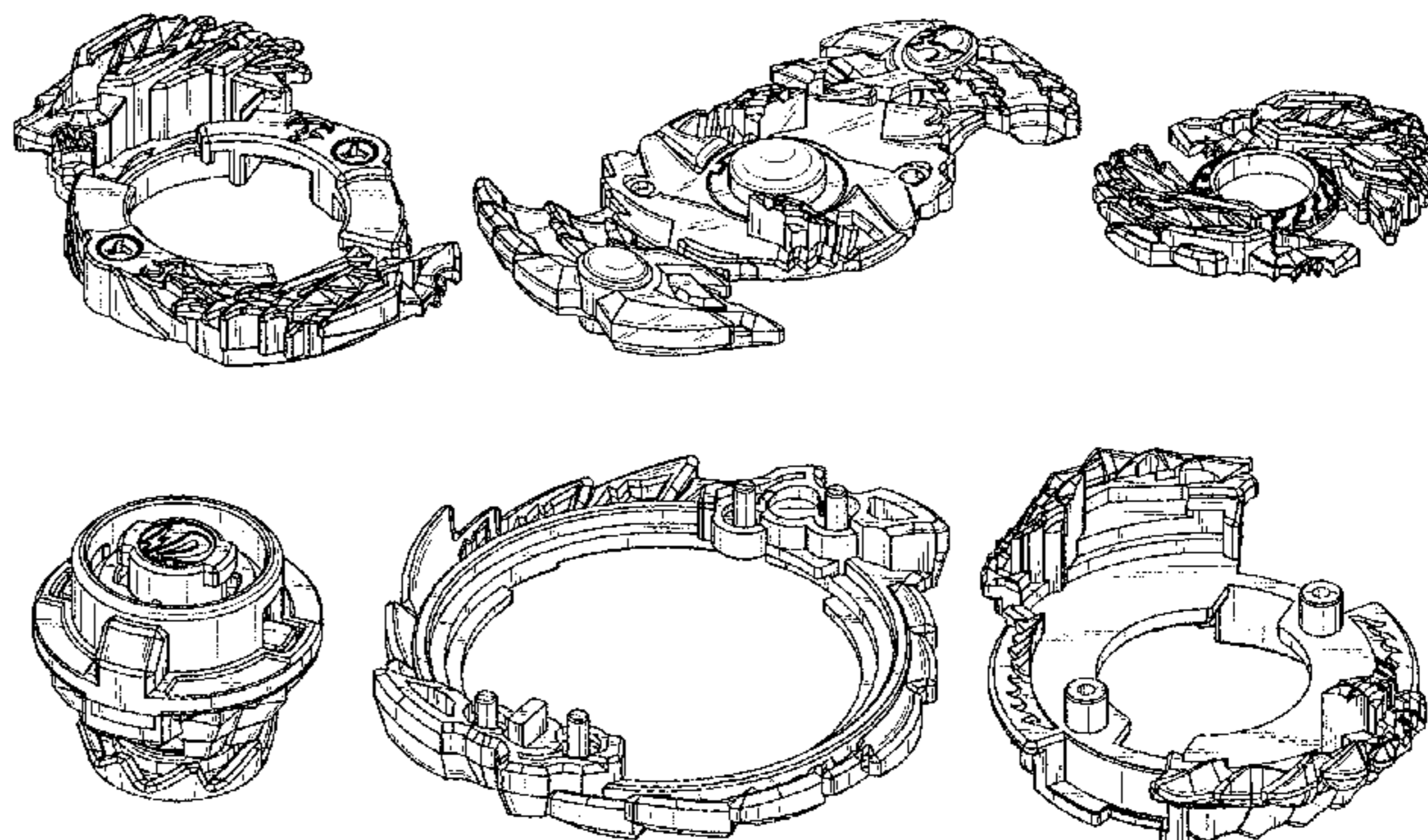
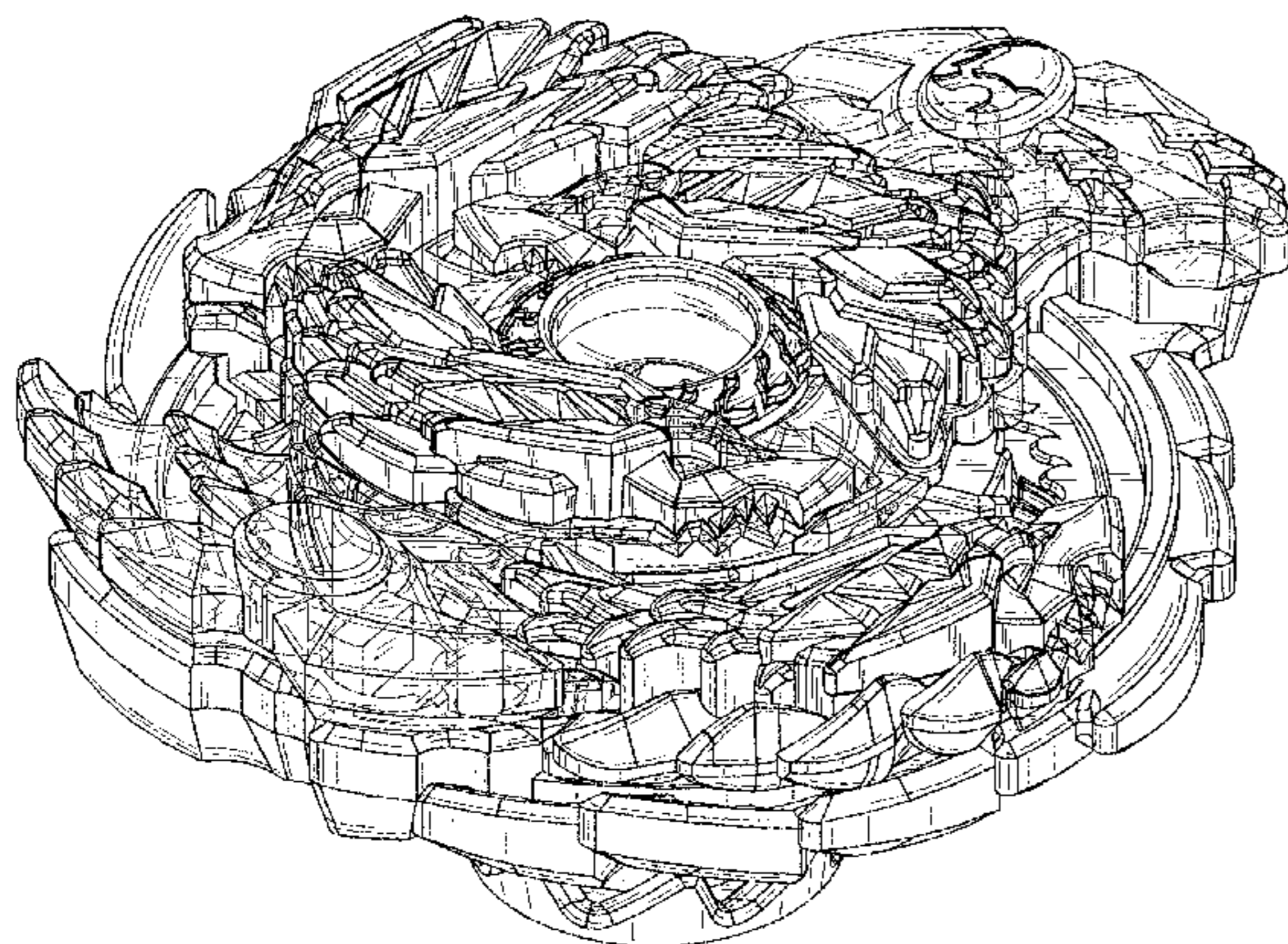
FIG. 6 is a bottom view thereof;

FIG. 7 is a front, top and right perspective view thereof;

FIG. 8 is a disassembled front, top and right perspective view thereof; and,

FIG. 9 is a disassembled rear, bottom and left perspective view thereof.

1 Claim, 9 Drawing Sheets



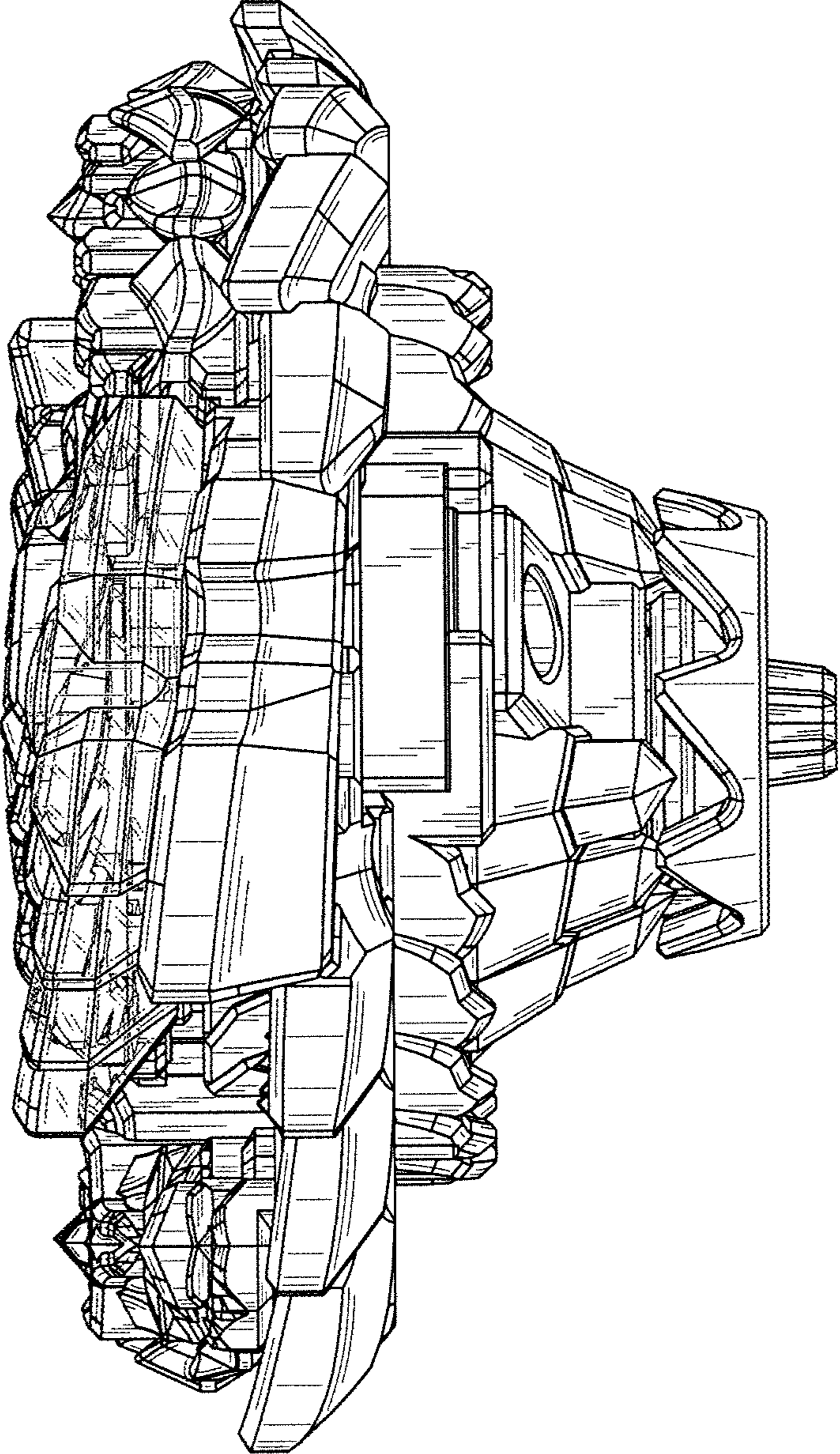


FIG. 1

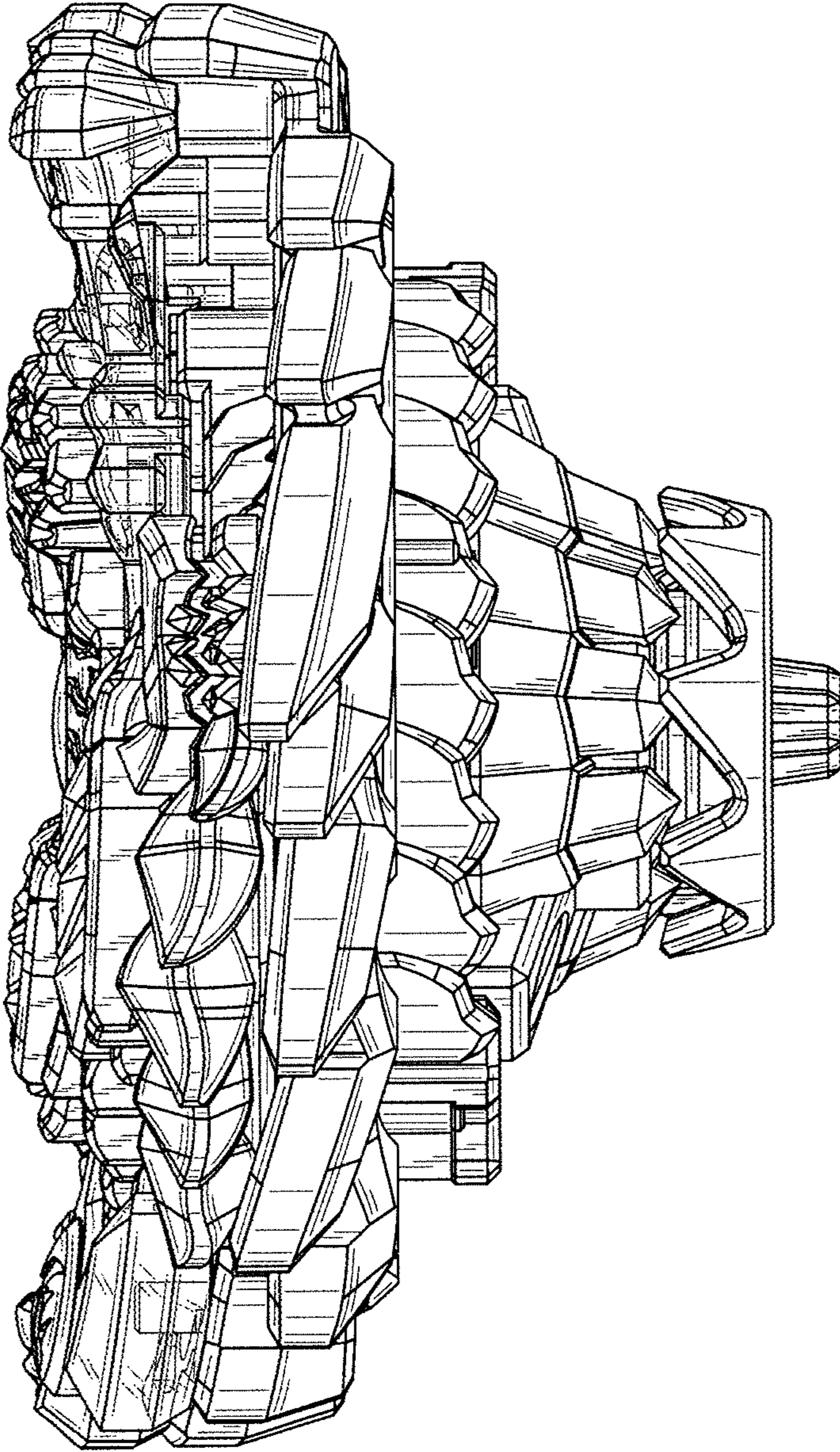


FIG. 2

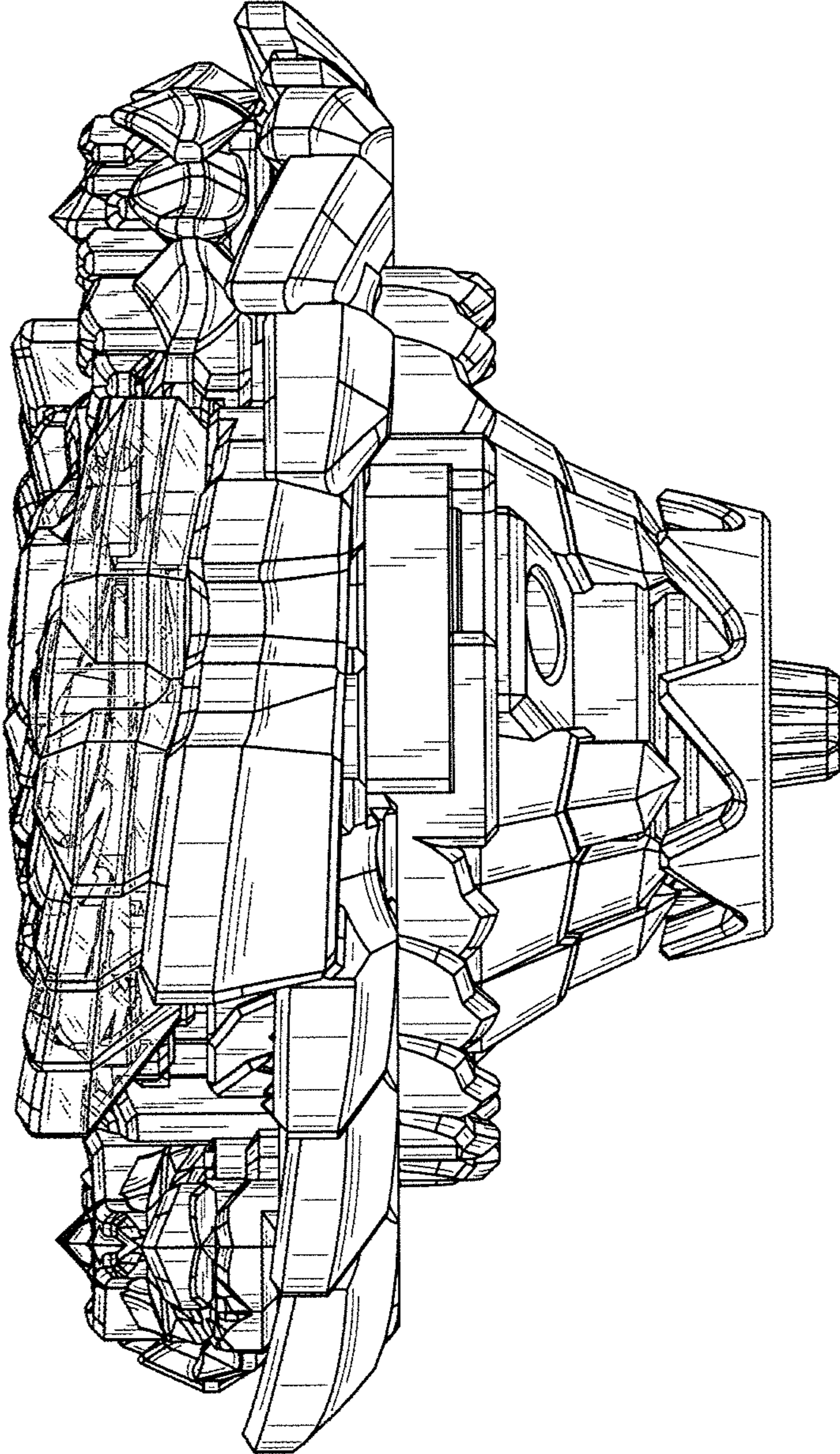


FIG. 3

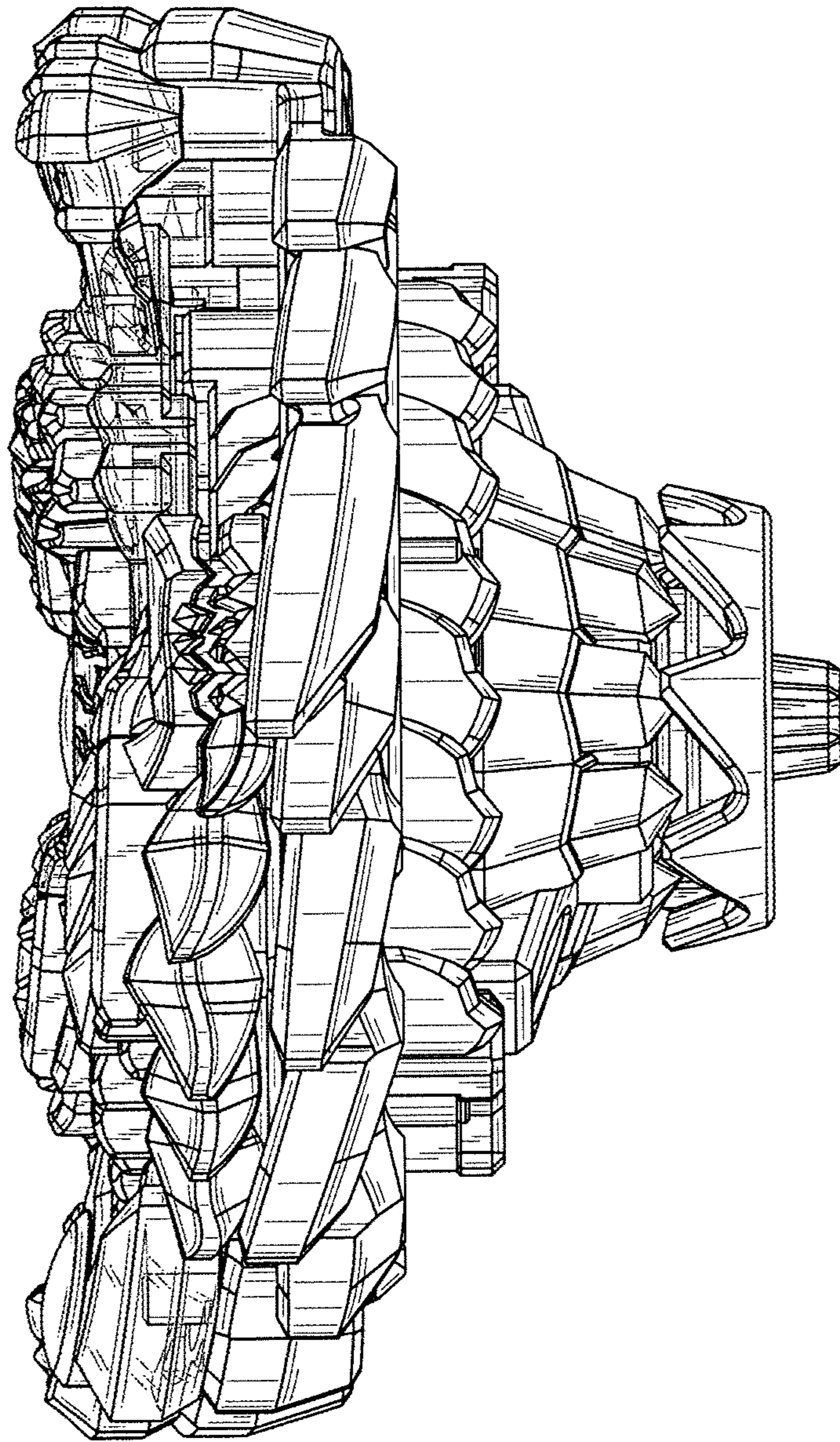


FIG. 4

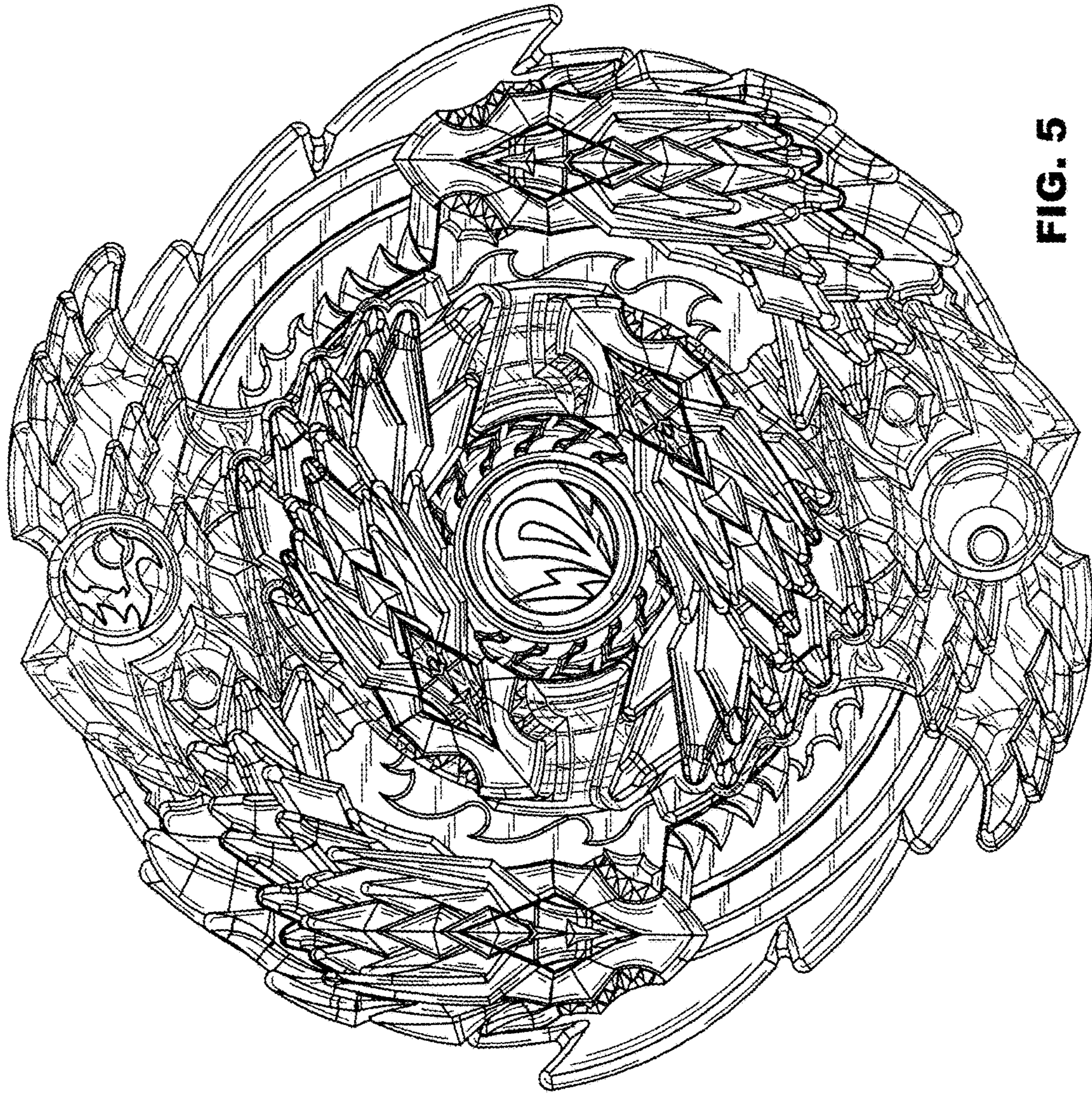


FIG. 5

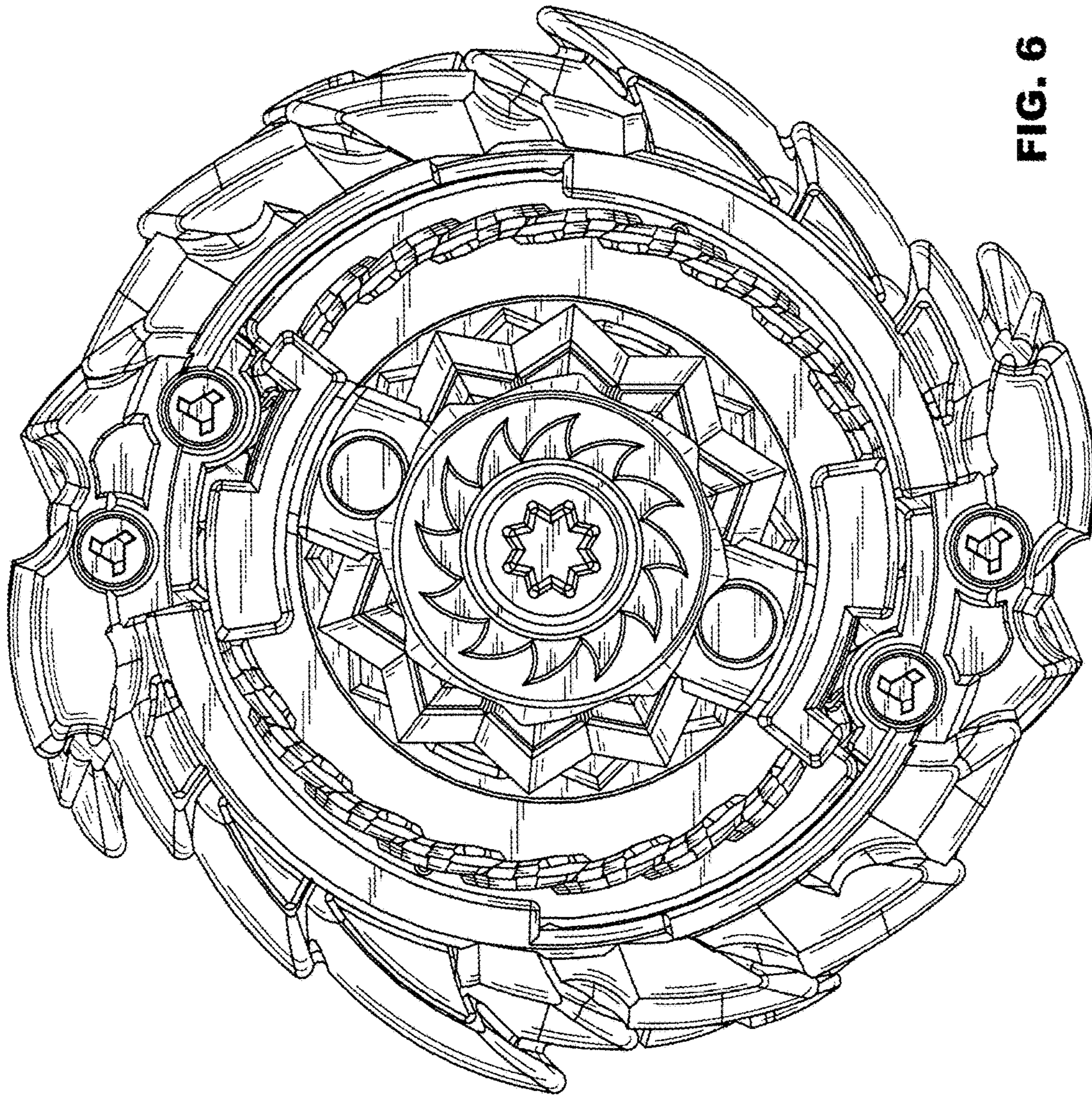


FIG. 6

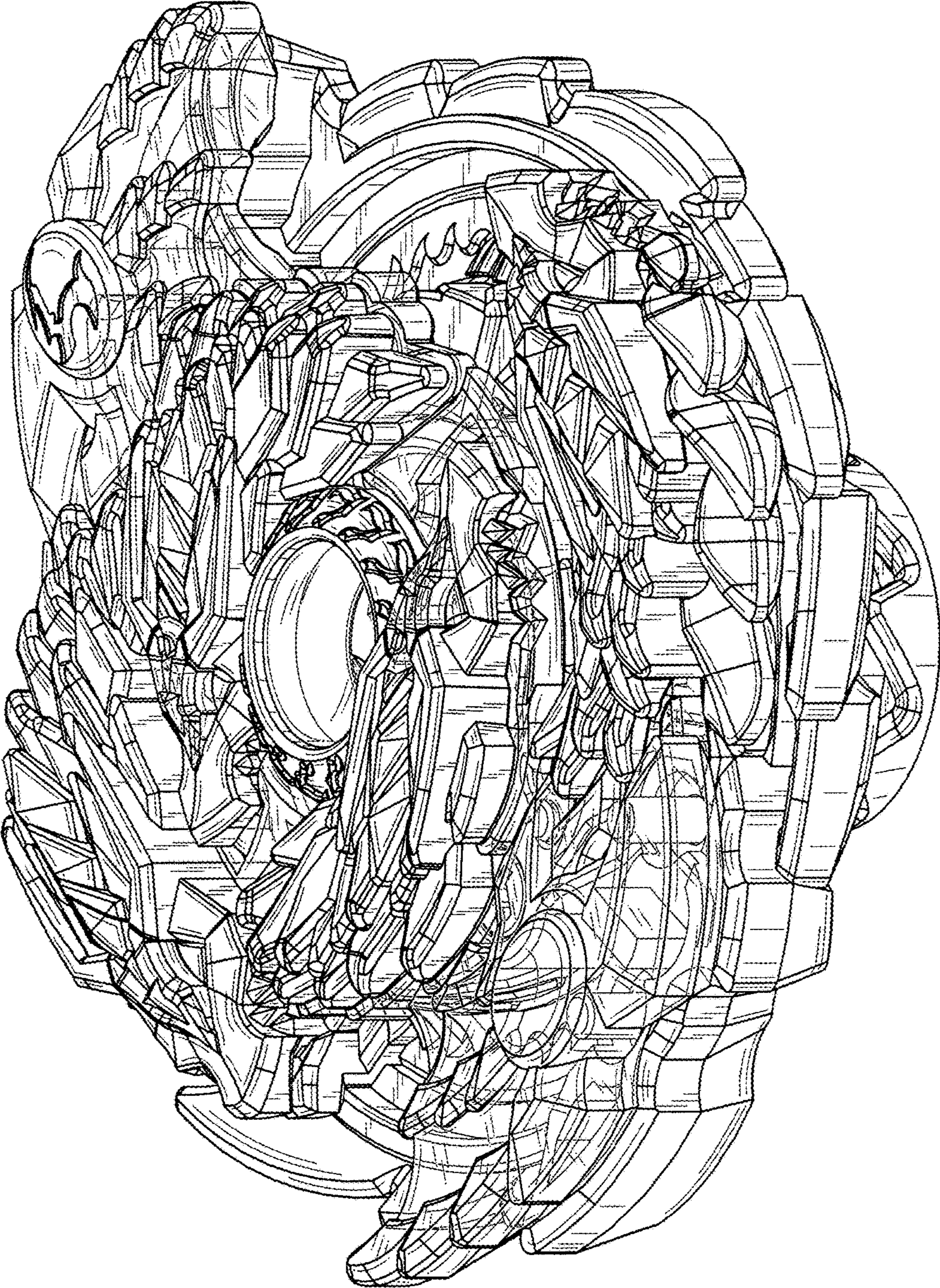


FIG. 7

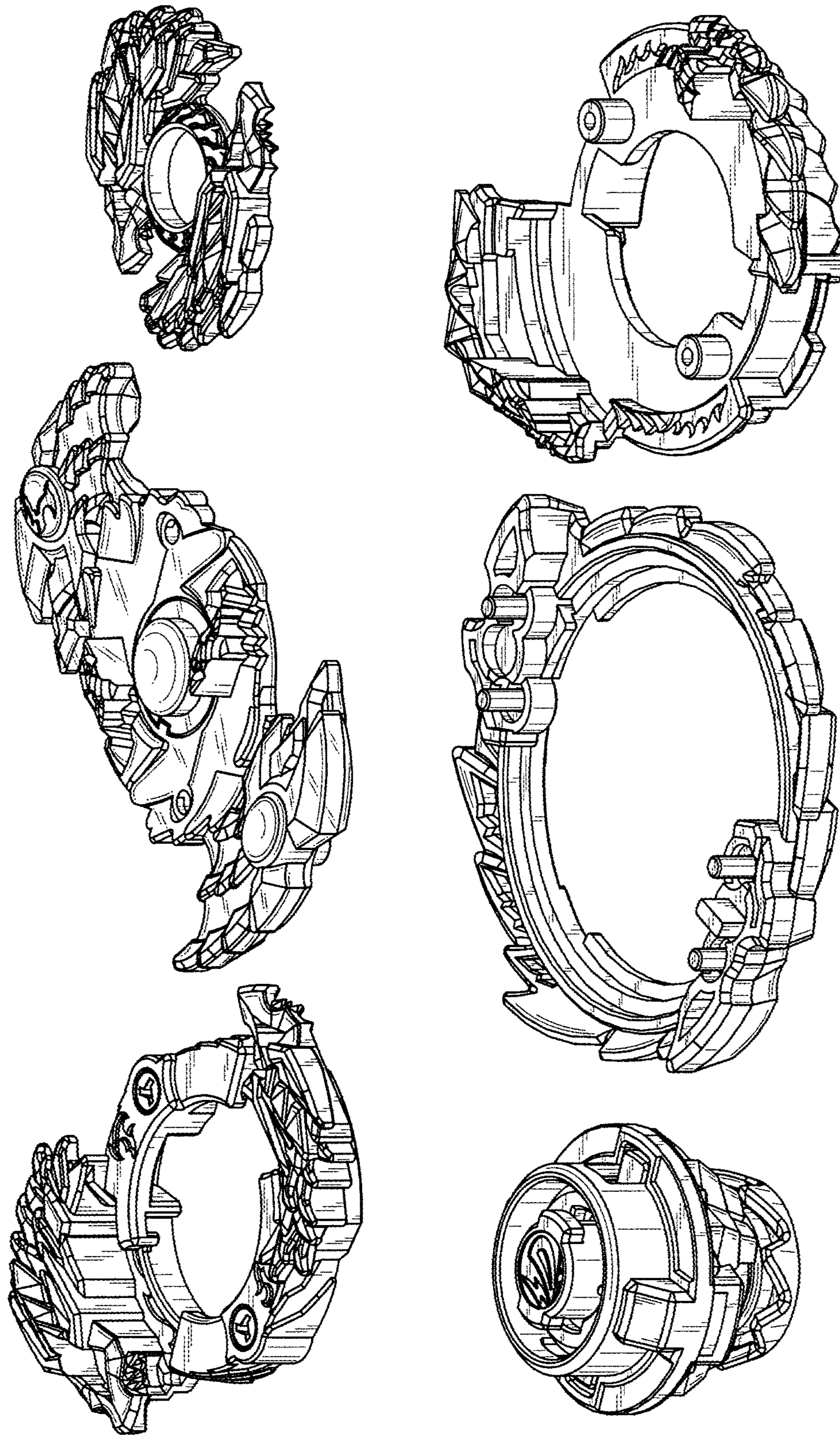


FIG. 8

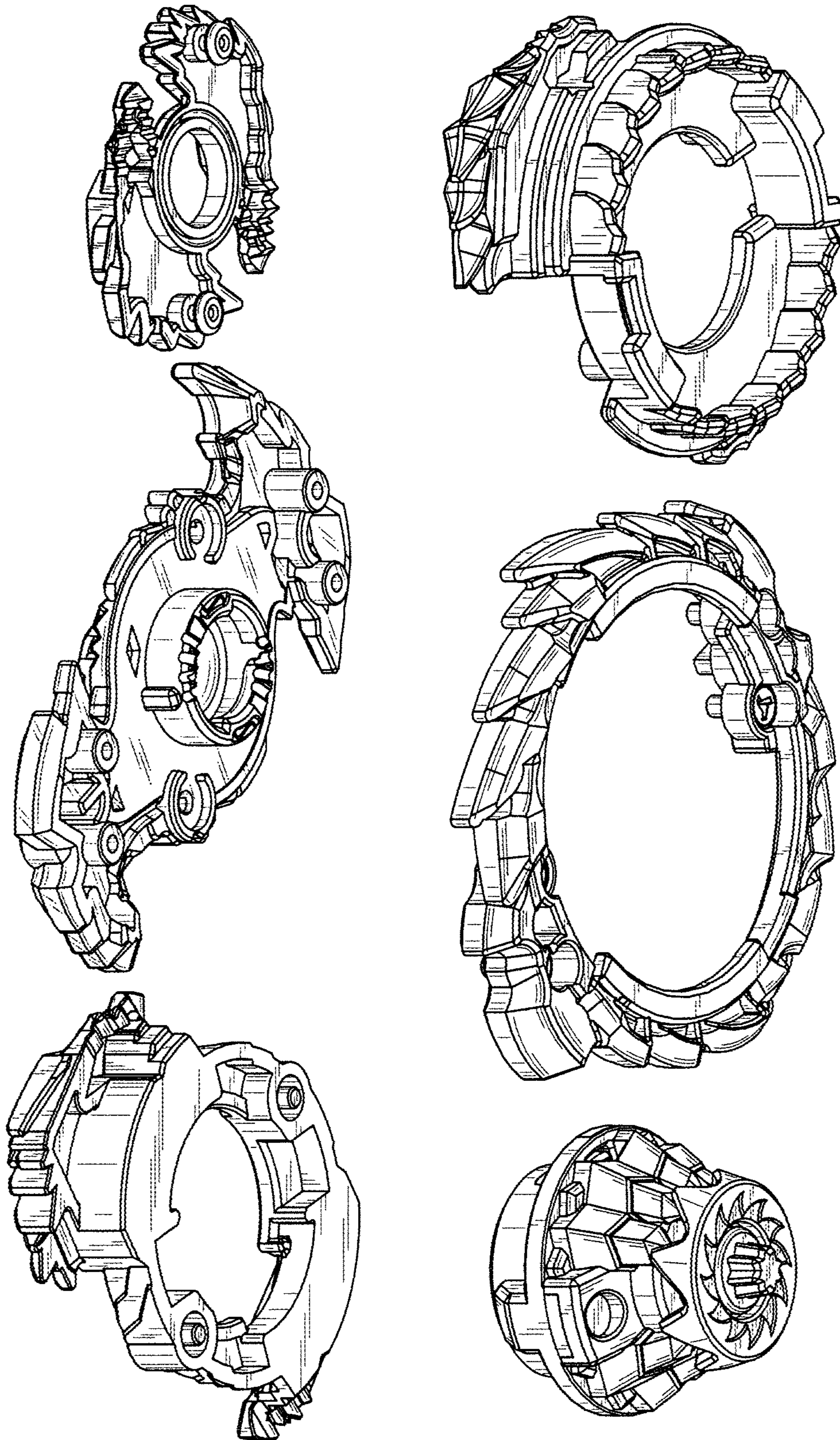


FIG. 9