



US00D835723S

(12) **United States Design Patent** (10) **Patent No.:** **US D835,723 S**
Basha (45) **Date of Patent:** **** Dec. 11, 2018**

(54) **SIGNAGE**
(71) Applicant: **T.S.S. Inc.**, Warren, MI (US)
(72) Inventor: **Ismael Basha**, Warren, MI (US)
(73) Assignee: **T.S.S. Inc.**, Warren, MI (US)
(**) Term: **15 Years**

D234,443 S * 3/1975 Golub D20/13
5,414,948 A * 5/1995 Kudo G09F 3/20
40/651
D433,071 S * 10/2000 Barrett D20/40
D701,050 S * 3/2014 Yang D6/309
D754,446 S * 4/2016 Yang D6/309
D764,592 S * 8/2016 Zenoff D20/42
9,638,410 B2 * 5/2017 Yang F21V 33/004

* cited by examiner

(21) Appl. No.: **29/592,923**
(22) Filed: **Feb. 3, 2017**

Primary Examiner — Mary Ann Calabrese
Assistant Examiner — Catherine Ho
(74) *Attorney, Agent, or Firm* — Phillips Lytle LLP;
David L. Principe

(51) **LOC (11) Cl.** **20-03**
(52) **U.S. Cl.**
USPC **D20/41**

(57) **CLAIM**

I claim the ornamental design for a signage, as shown and described.

(58) **Field of Classification Search**
USPC D1/116, 127, 128, 130; D7/354, 610;
D10/111, 113.1, 113.4; D20/10, 17-21,
D20/39, 41, 42, 99; D25/10; D26/31
CPC G09F 7/00; G09F 7/10; G09F 9/00; G09F
9/3023; G09F 9/33; G09F 11/00; G09F
13/00; G09F 15/00; G09F 27/00; G09F
2013/0454; G09F 13/04; G09F 13/20
See application file for complete search history.

DESCRIPTION

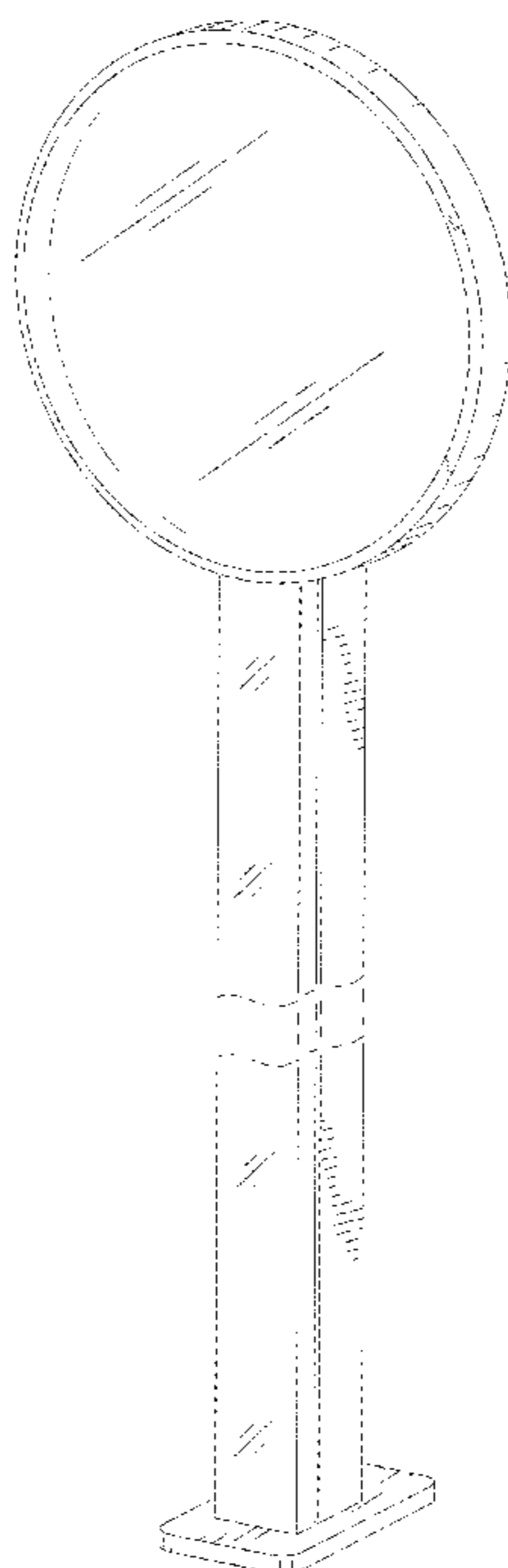
FIG. 1 is a perspective view of the signage showing my new design;
FIG. 2 is a front elevation view thereof;
FIG. 3 is a bottom plan view thereof;
FIG. 4 is a top plan view thereof;
FIG. 5 is a rear elevation view thereof; and,
FIG. 6 is a left side elevation view thereof; the right side elevation view being a mirror image thereof.
The broken lines shown in the drawings illustrate portions of the signage that form no part of the claimed design.
The signage is shown with a symbolic break in its length, represented by dash-dot-dot lines. The appearance of any portion of the article between the dash-dot-dot lines forms no part of the claimed design.

(56) **References Cited**

U.S. PATENT DOCUMENTS

D125,139 S * 2/1941 May D26/104
3,066,577 A * 12/1962 Gunderson E01F 9/627
248/160
3,292,569 A * 12/1966 Trigilio B60Q 7/005
116/63 P
D216,241 S * 12/1969 Walklet D20/10

1 Claim, 3 Drawing Sheets



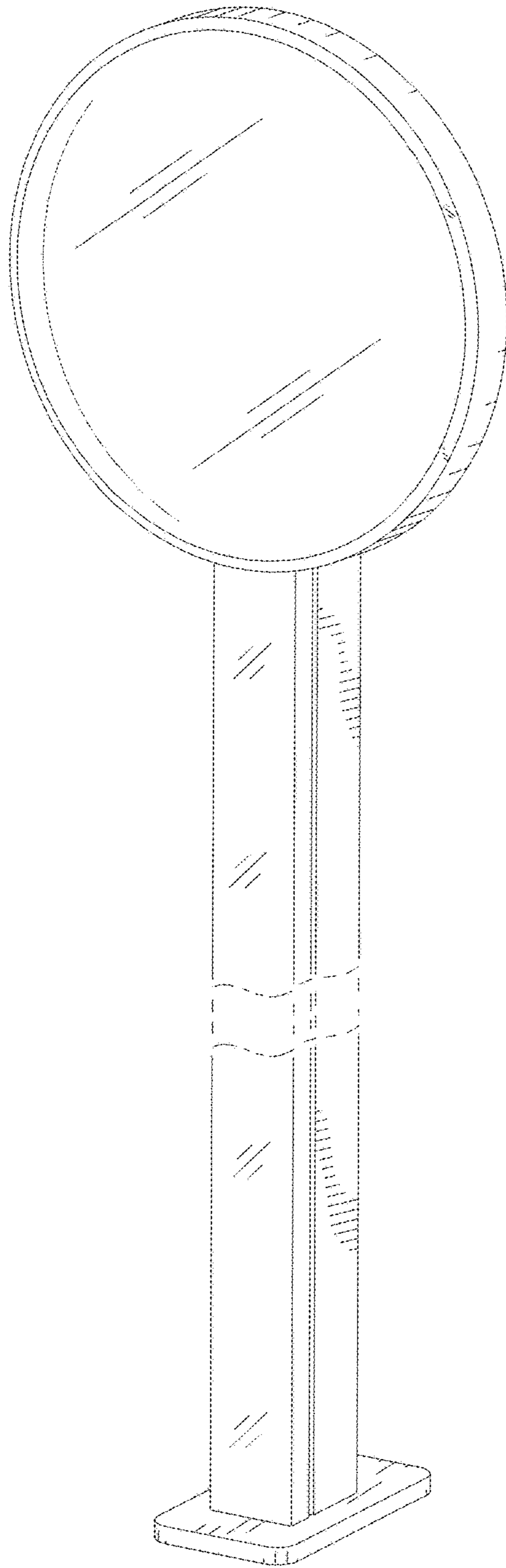
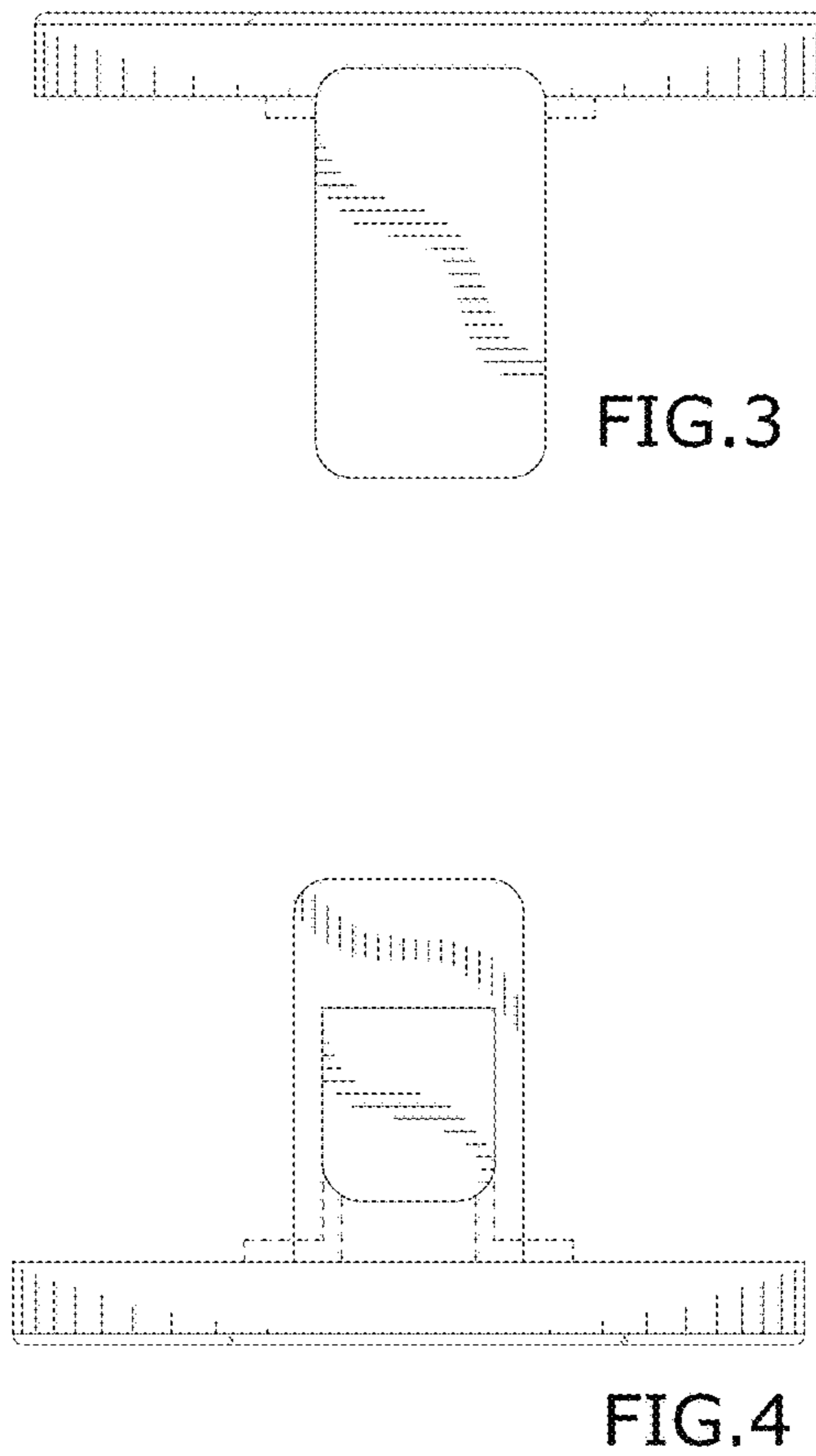
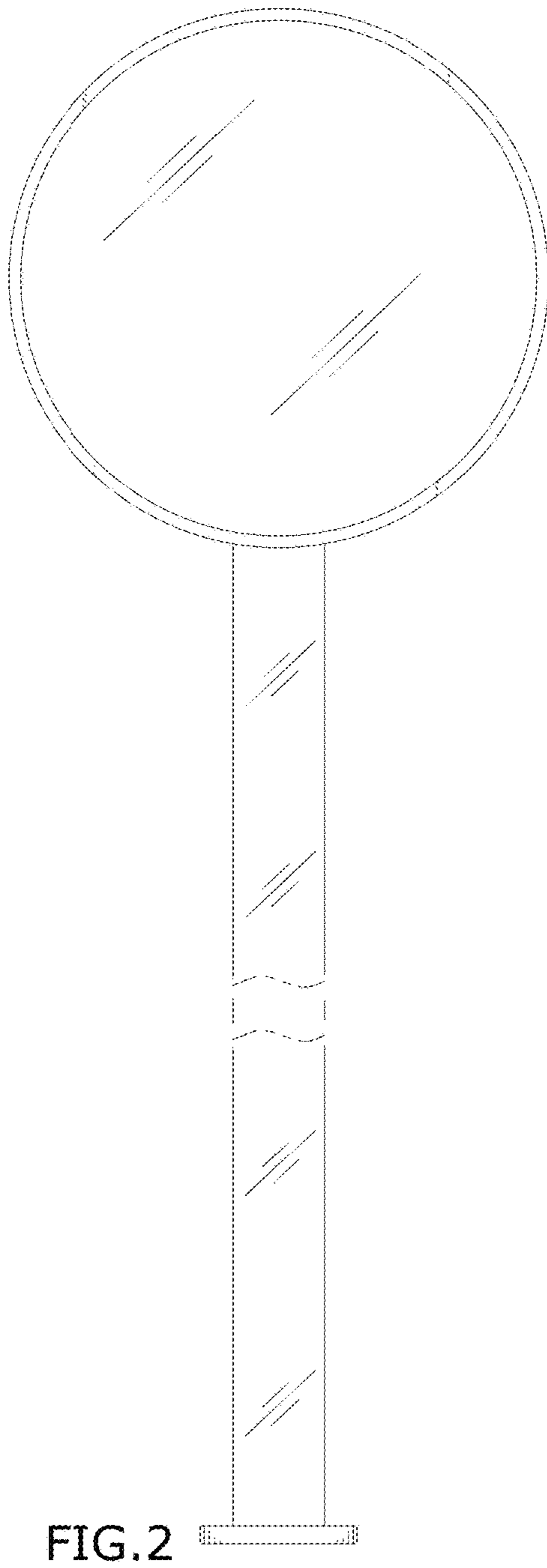


FIG. 1



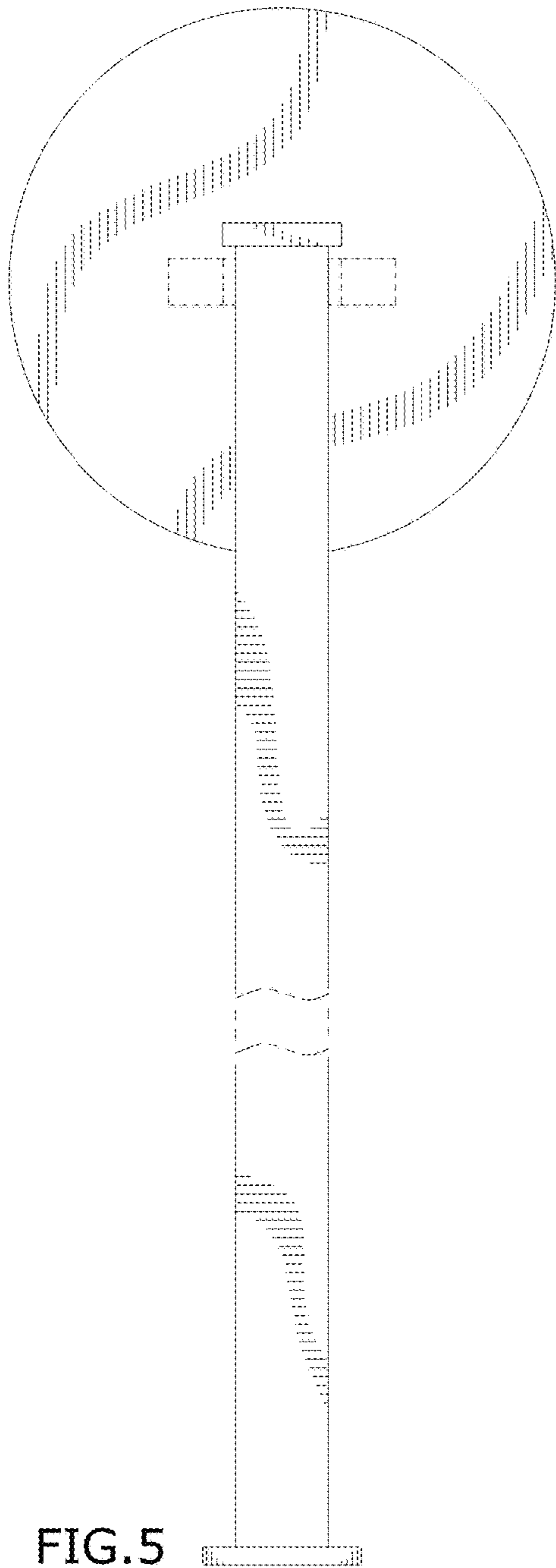


FIG. 5

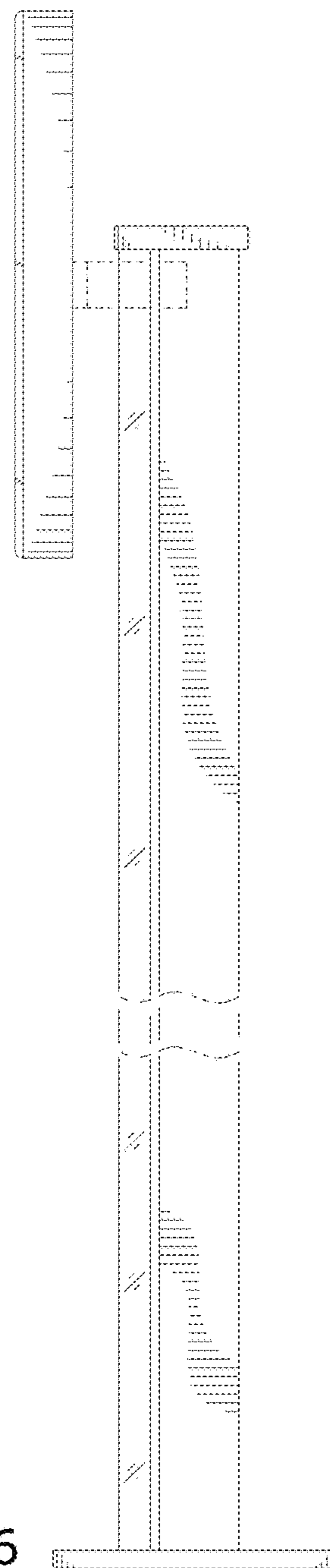


FIG. 6