

US00D835722S

(12) **United States Design Patent** (10) **Patent No.:** **US D835,722 S**  
**Tokko** (45) **Date of Patent:** **\*\* \*Dec. 11, 2018**

(54) **MANIKIN HEAD FOR WALL MOUNT**

D227,186 S \* 6/1973 Dangeli ..... D11/160  
3,930,722 A \* 1/1976 Anzivino ..... A45D 44/14  
248/469  
D472,274 S \* 3/2003 Kwong ..... D20/32  
2008/0197159 A1\* 8/2008 Ottley ..... A45D 44/14  
223/67  
2015/0072317 A1\* 3/2015 Dana ..... A45C 5/005  
434/100

(71) Applicant: **Ryan Tokko**, Los Angeles, CA (US)

(72) Inventor: **Ryan Tokko**, Los Angeles, CA (US)

(\* ) Notice: This patent is subject to a terminal disclaimer.

(\*\*) Term: **15 Years**

\* cited by examiner

*Primary Examiner* — Mary Ann Calabrese  
(74) *Attorney, Agent, or Firm* — Chanmin Park

(21) Appl. No.: **29/561,148**

(22) Filed: **Apr. 13, 2016**

(57) **CLAIM**

The ornamental design for a manikin head for wall mount, as shown and described.

(51) **LOC (11) Cl.** ..... **20-02**

(52) **U.S. Cl.**  
USPC ..... **D20/32**

**DESCRIPTION**

(58) **Field of Classification Search**  
USPC ..... D20/10, 19, 29-33; D28/93; D11/160  
CPC ... A41H 5/00; A41H 5/01; A41H 5/02; A45D  
44/14; A47F 7/065; A47F 8/00; A47F  
8/02; G09B 23/30; G09F 19/08  
See application file for complete search history.

FIG. 1 is a top plan view of a manikin head showing my design;  
FIG. 2 is a bottom plan view thereof;  
FIG. 3 is a right side-elevation view thereof;  
FIG. 4 is a left side-elevation view thereof;  
FIG. 5 is a front elevation view thereof;  
FIG. 6 is a rear elevation view thereof;  
FIG. 7 is a perspective view thereof; and,  
FIG. 8 is a perspective view showing how the manikin head is mounted to a wall.  
Broken lines in FIG. 8 show a wall and a bracket for the manikin head, and form no part of the claimed design. Broken lines in FIG. 6 show a hole, and form no part of the claimed design.

(56) **References Cited**

U.S. PATENT DOCUMENTS

D79,052 S \* 7/1929 Vigneau ..... D20/32  
3,135,444 A \* 6/1964 Schoenfeld ..... A47F 8/00  
223/66  
3,198,408 A \* 8/1965 Benner ..... A47F 7/065  
132/53  
3,392,952 A \* 7/1968 Bonner ..... A45D 44/14  
2/67

**1 Claim, 3 Drawing Sheets**

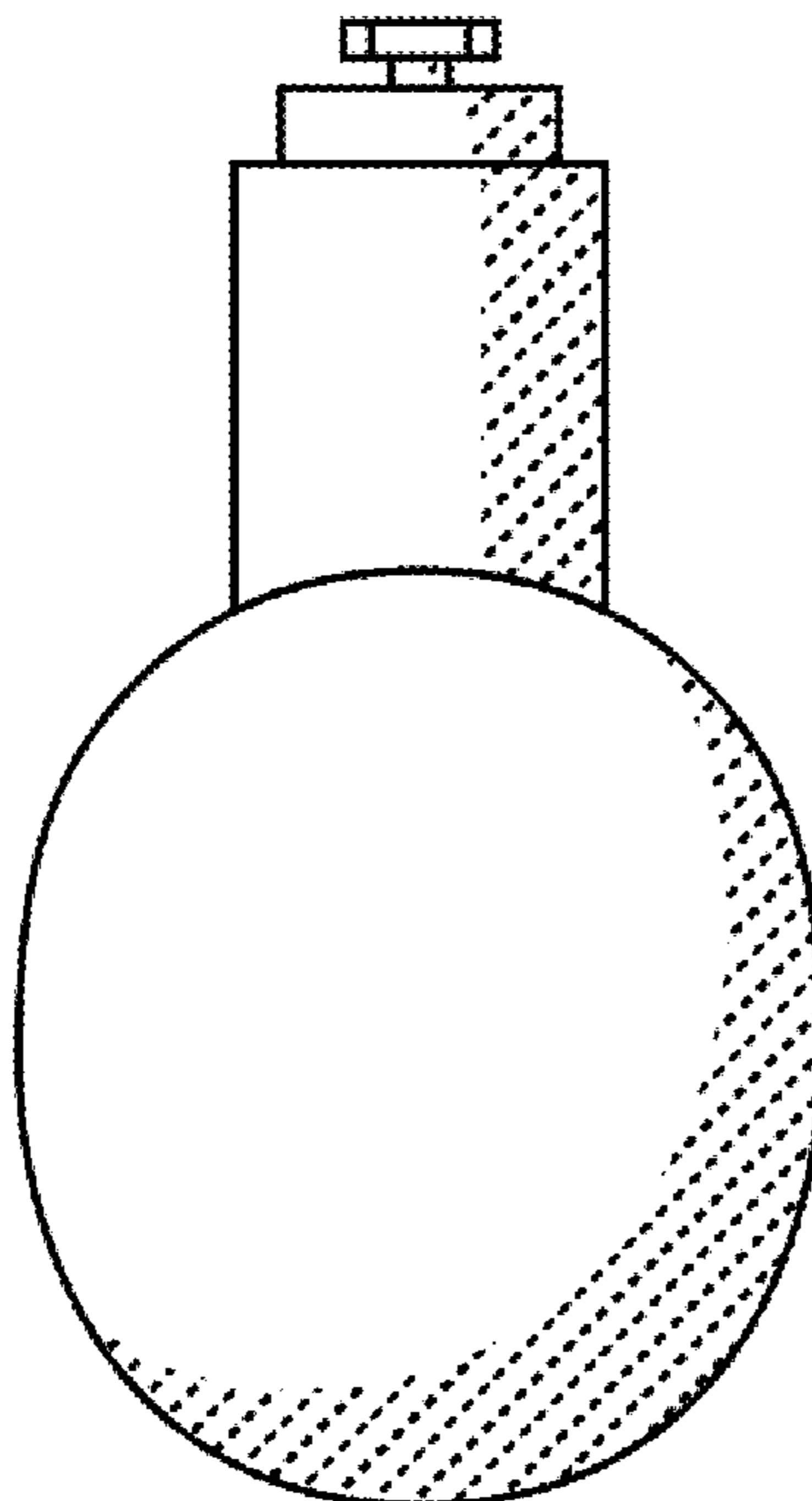


FIG. 1

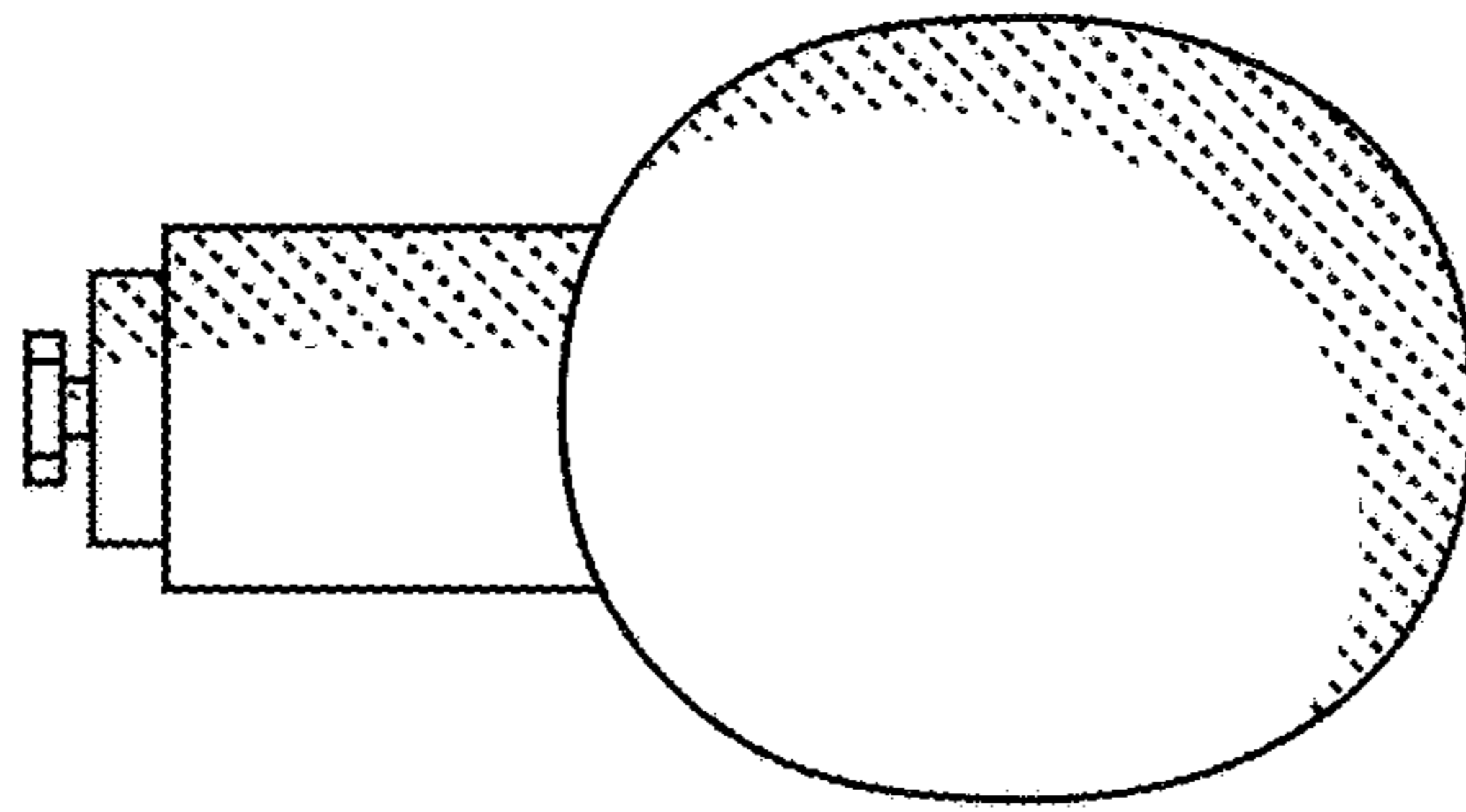


FIG. 2

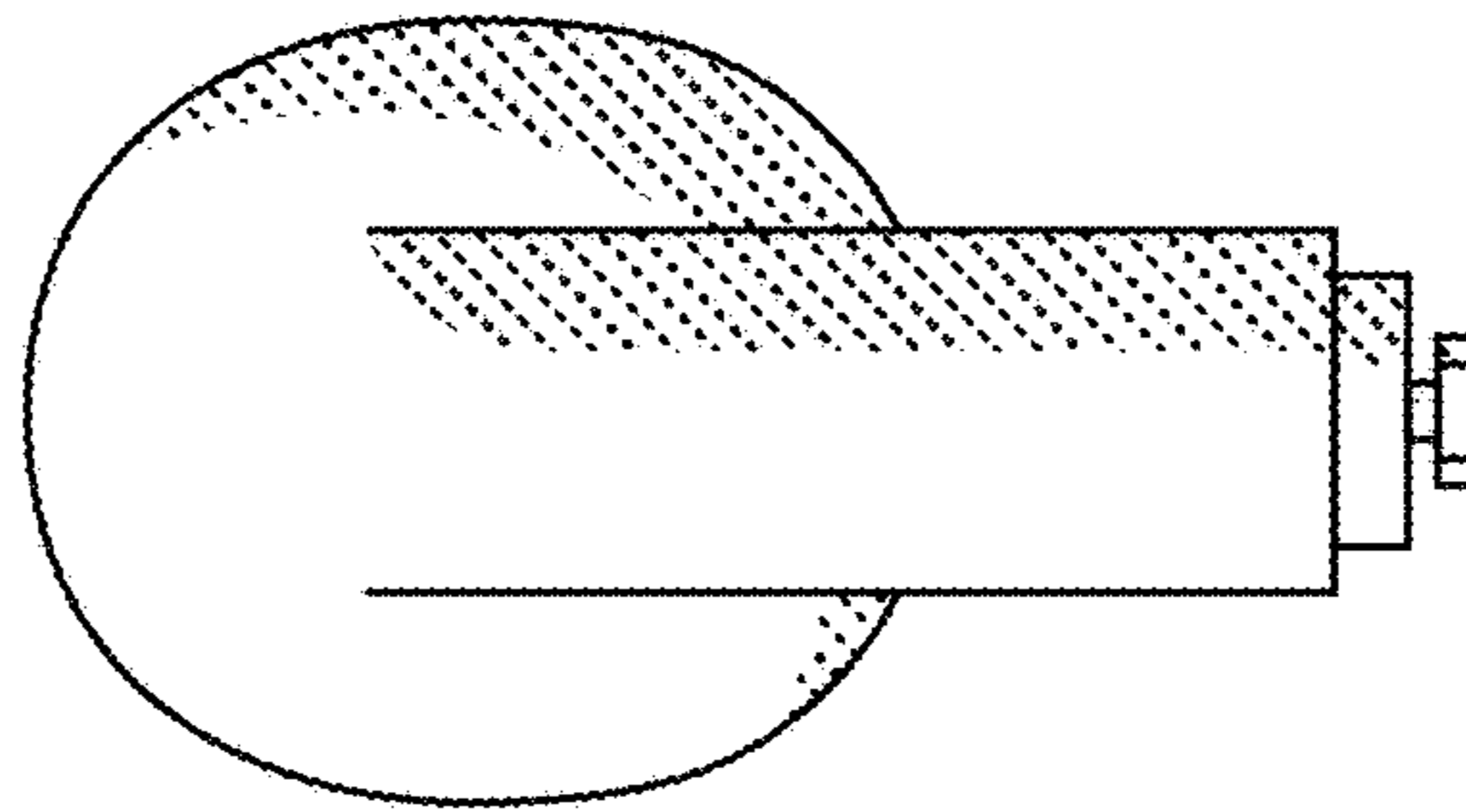


FIG. 3

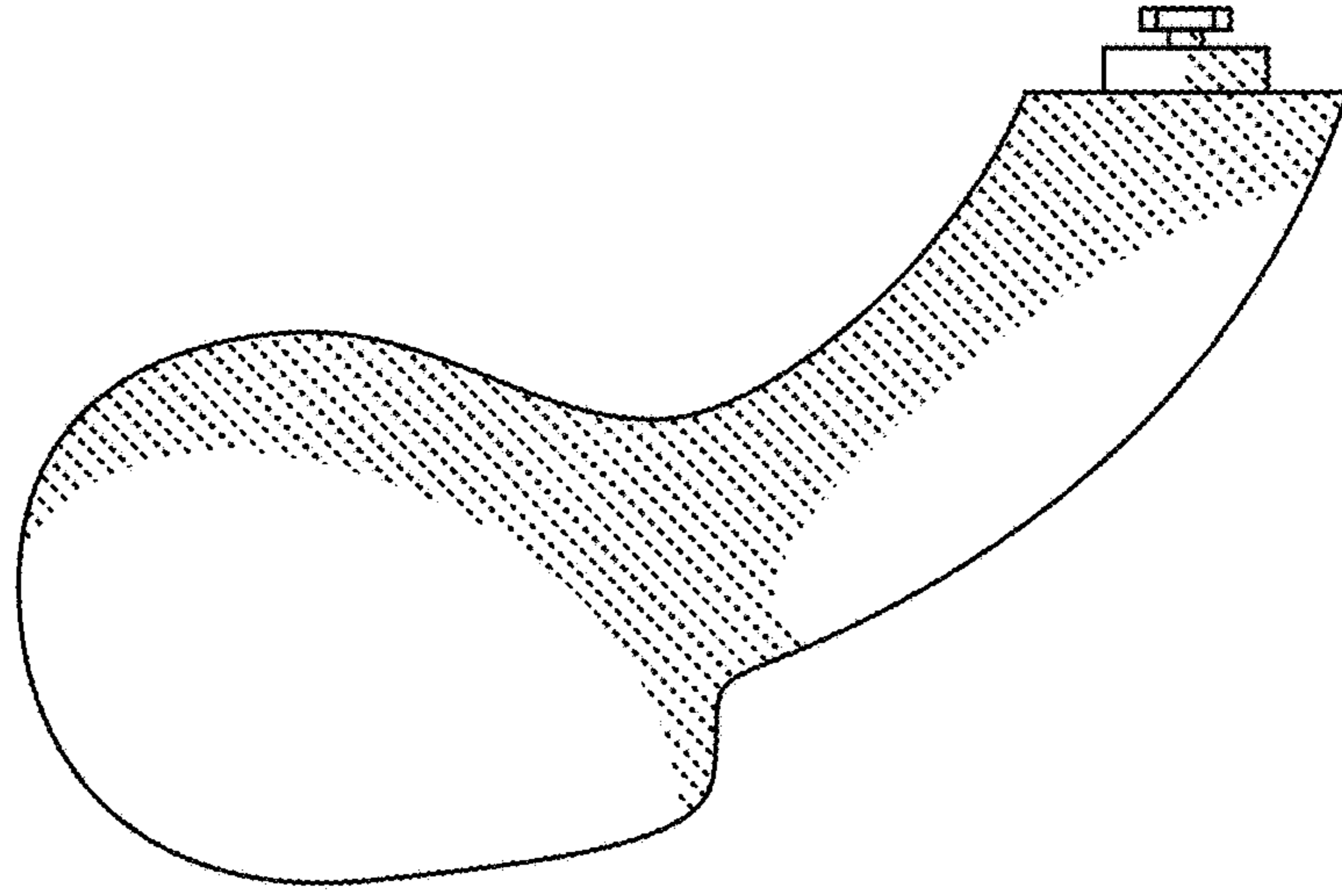


FIG. 6

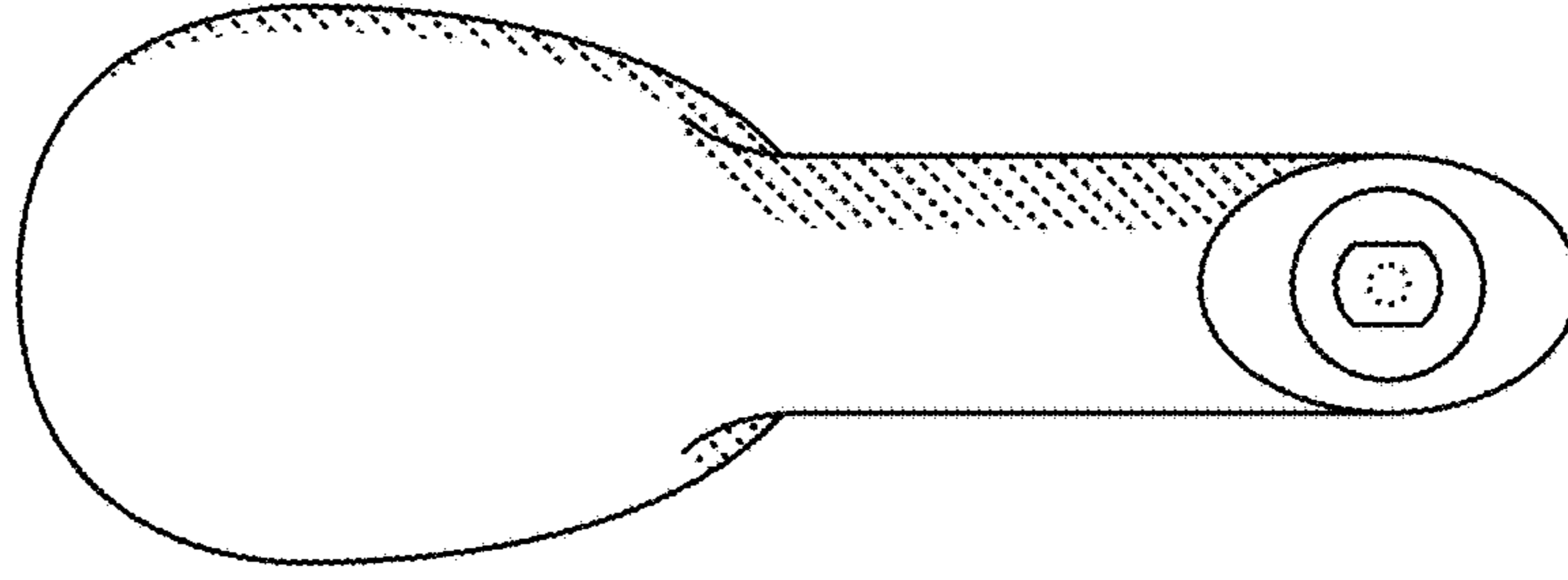


FIG. 5

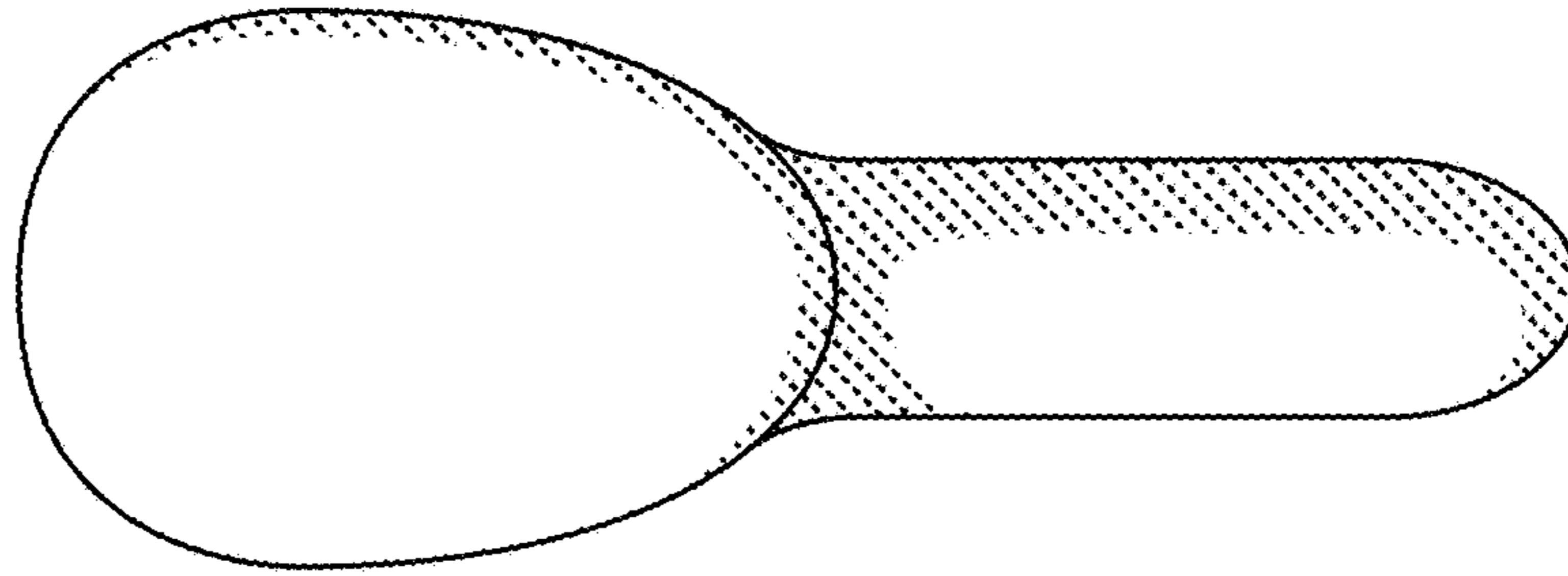


FIG. 4

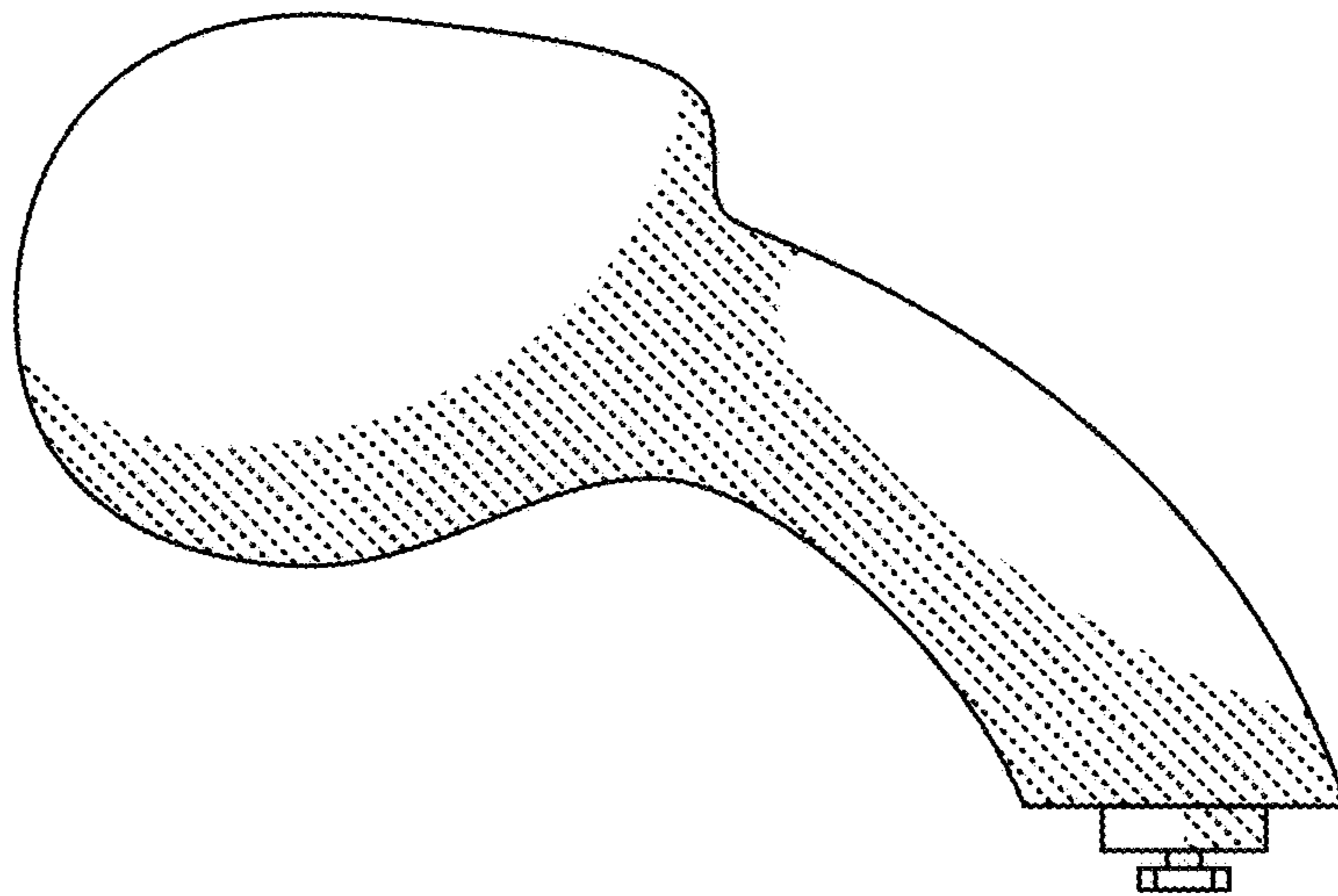


FIG. 8

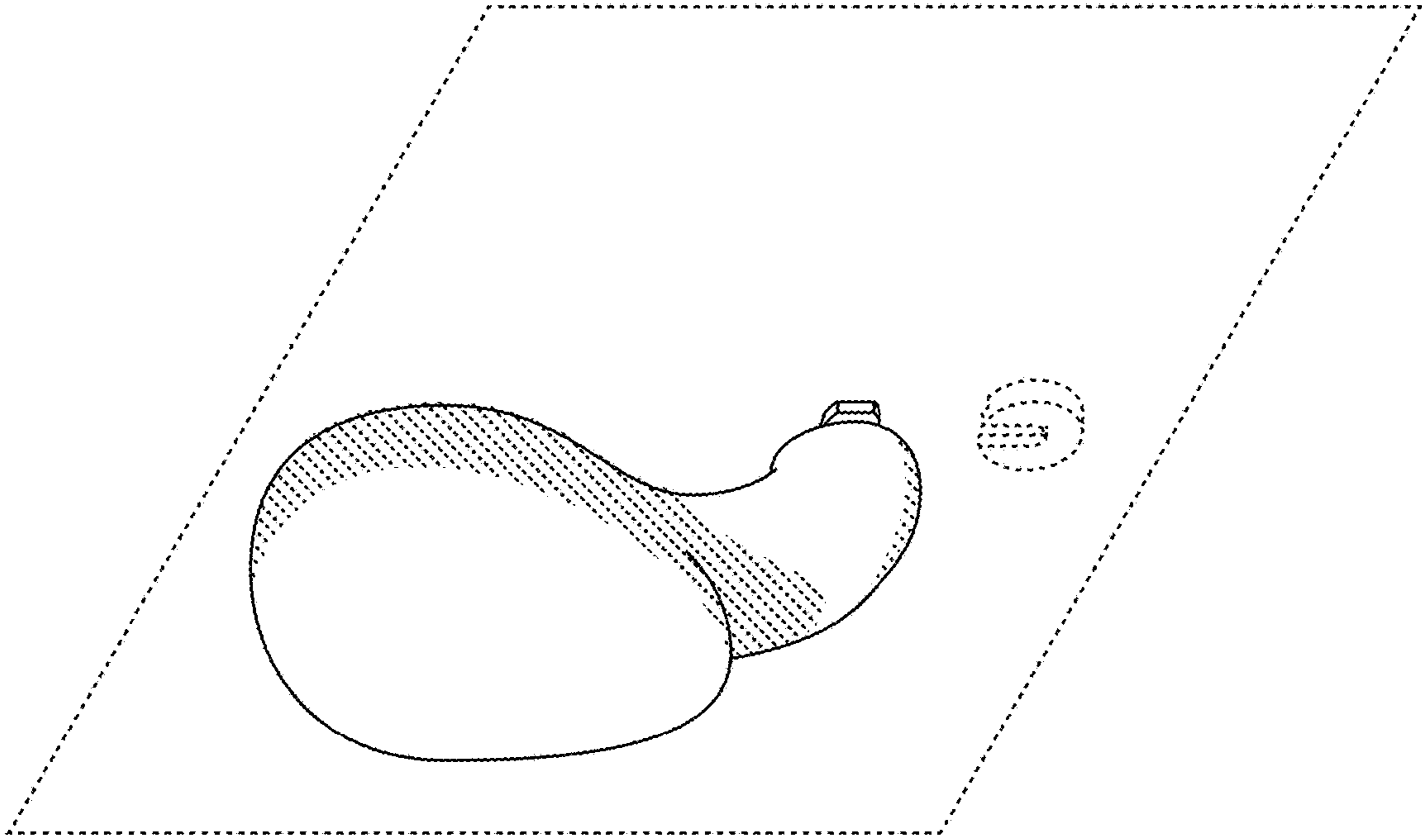


FIG. 7

