



US00D835718S

(12) **United States Design Patent**
Fan

(10) **Patent No.:** **US D835,718 S**

(45) **Date of Patent:** **** Dec. 11, 2018**

- (54) **PEN**
- (71) Applicant: **Beifa Group Co., Ltd.**, Ningbo (CN)
- (72) Inventor: **Yumeng Fan**, Ningbo (CN)
- (73) Assignee: **Beifa Group Co., Ltd.**, Ningbo (CN)
- (**) Term: **15 Years**
- (21) Appl. No.: **29/597,632**
- (22) Filed: **Mar. 17, 2017**

(30) **Foreign Application Priority Data**

Sep. 20, 2016 (CN) 2016 3 0474772

(51) **LOC (11) Cl.** **19-06**

(52) **U.S. Cl.**
USPC **D19/173**

(58) **Field of Classification Search**
USPC D19/168–186, 117, 163–167, 901–934
CPC B43K 24/03; B43K 23/12; B43K 23/001;
G09B 5/04; G06F 3/03545
See application file for complete search history.

(56) **References Cited**

U.S. PATENT DOCUMENTS

- D323,349 S * 1/1992 Gomez D19/168
- D444,498 S * 7/2001 Izushima D19/174
- D472,924 S * 4/2003 Pan D19/177
- D508,077 S * 8/2005 Bhavnani D14/411
- D579,049 S * 10/2008 Martin D19/164
- D580,493 S * 11/2008 Fei D19/171

- D604,362 S * 11/2009 Suero, Jr. D19/174
- D610,615 S * 2/2010 Li D19/173
- D616,935 S * 6/2010 Zhang D19/166
- D678,944 S * 3/2013 Xie D19/167
- D683,400 S * 5/2013 Xie D19/172
- D695,826 S * 12/2013 Xie D19/167

* cited by examiner

Primary Examiner — Cynthia Ramirez

Assistant Examiner — Laura H Yu

(74) *Attorney, Agent, or Firm* — Seed Intellectual Property Law Group LLP

(57) **CLAIM**

The ornamental design for a pen, as shown and described.

DESCRIPTION

FIG. 1 is a front right perspective view of a pen showing my new design.

FIG. 2 is a front elevation view thereof.

FIG. 3 is a rear elevation view thereof.

FIG. 4 is a left side elevation view thereof, with the right side elevation view being a mirror image of the left side elevation view.

FIG. 5 is a top plan view thereof.

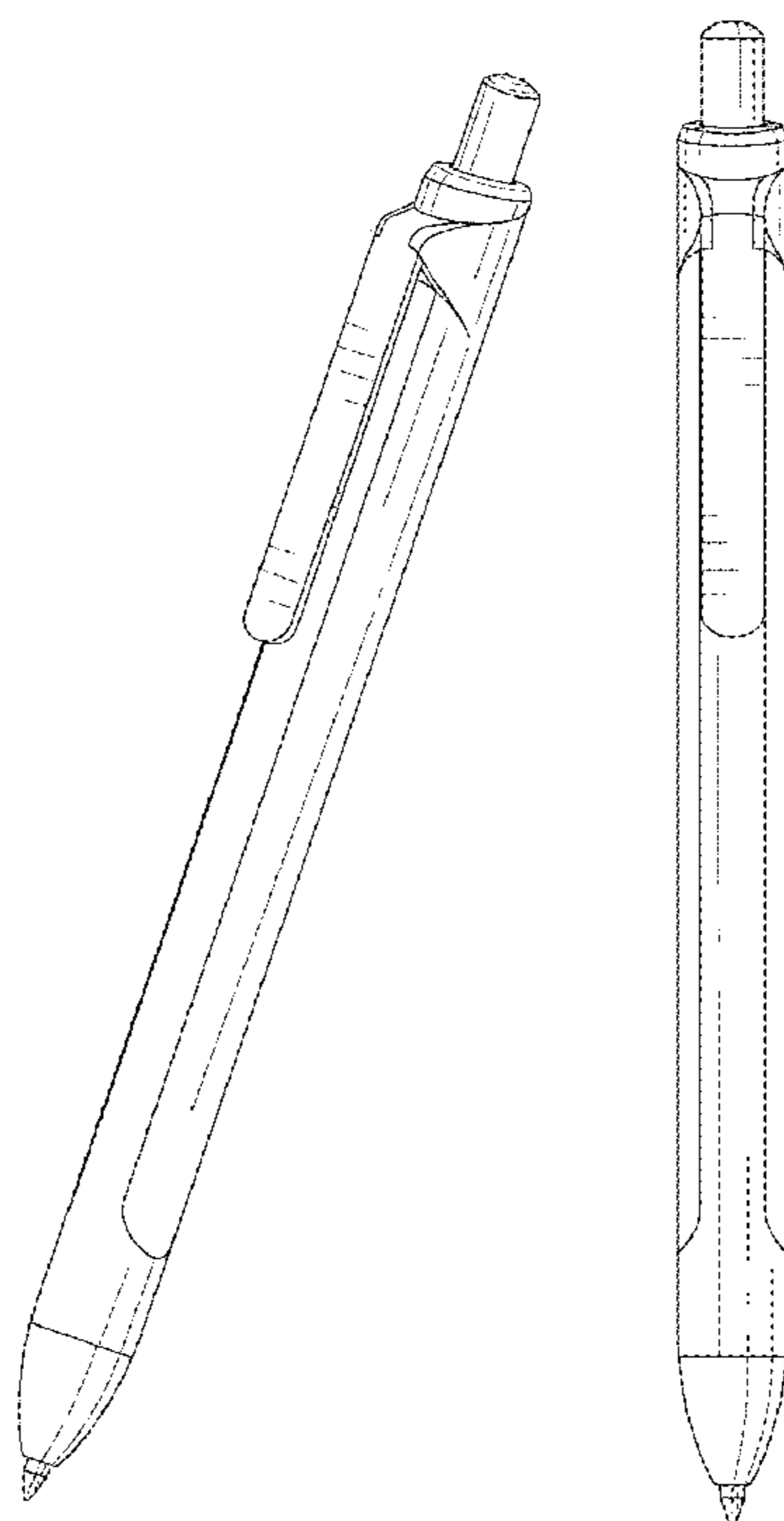
FIG. 6 is a bottom plan view thereof.

FIG. 7 is an enlarged top plan view thereof; and,

FIG. 8 is an enlarged bottom plan view thereof.

The broken lines in the figures are for the purpose of illustrating portions of the pen that form no part of the claimed design.

1 Claim, 3 Drawing Sheets



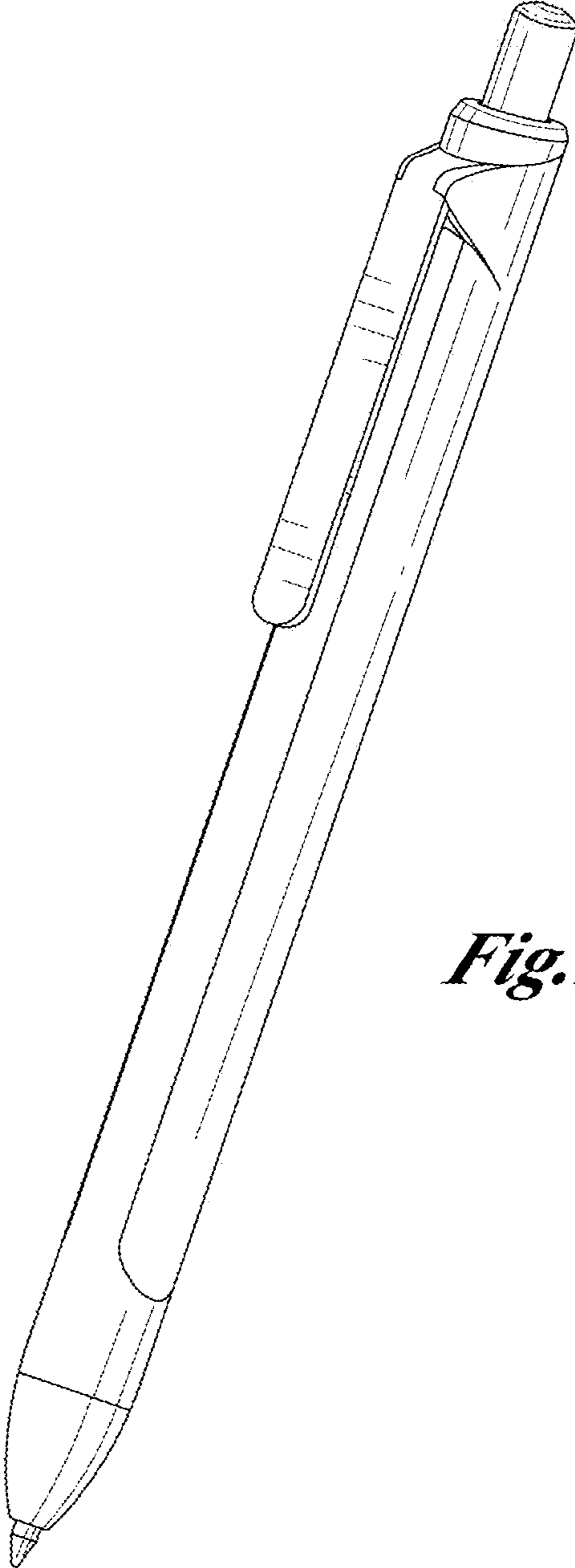


Fig. 1.

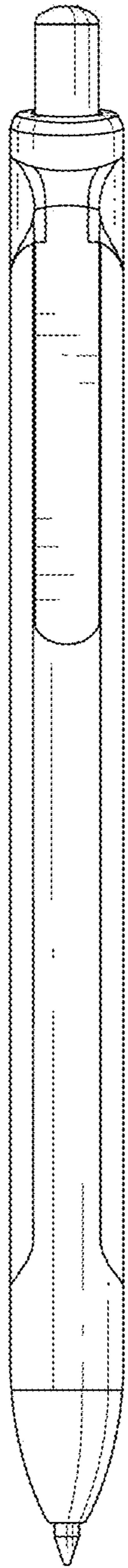


Fig. 2.

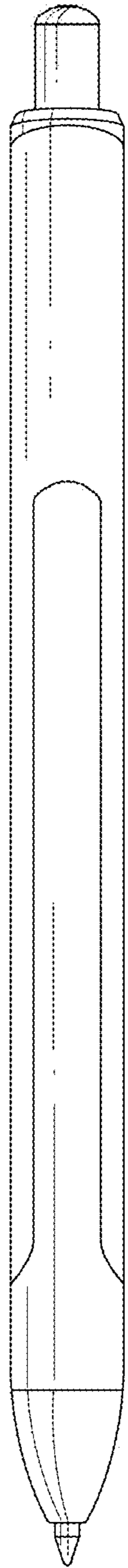


Fig. 3.

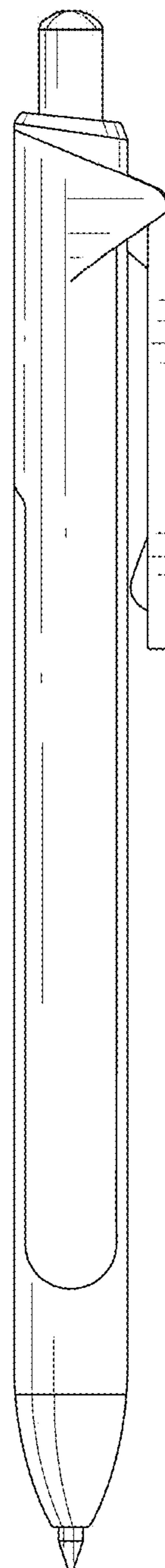


Fig. 4.

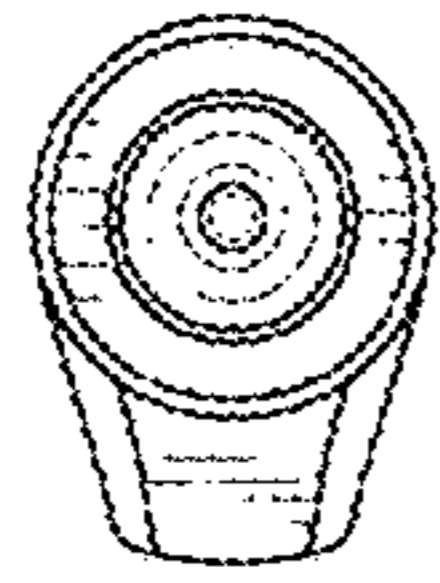


Fig. 5.

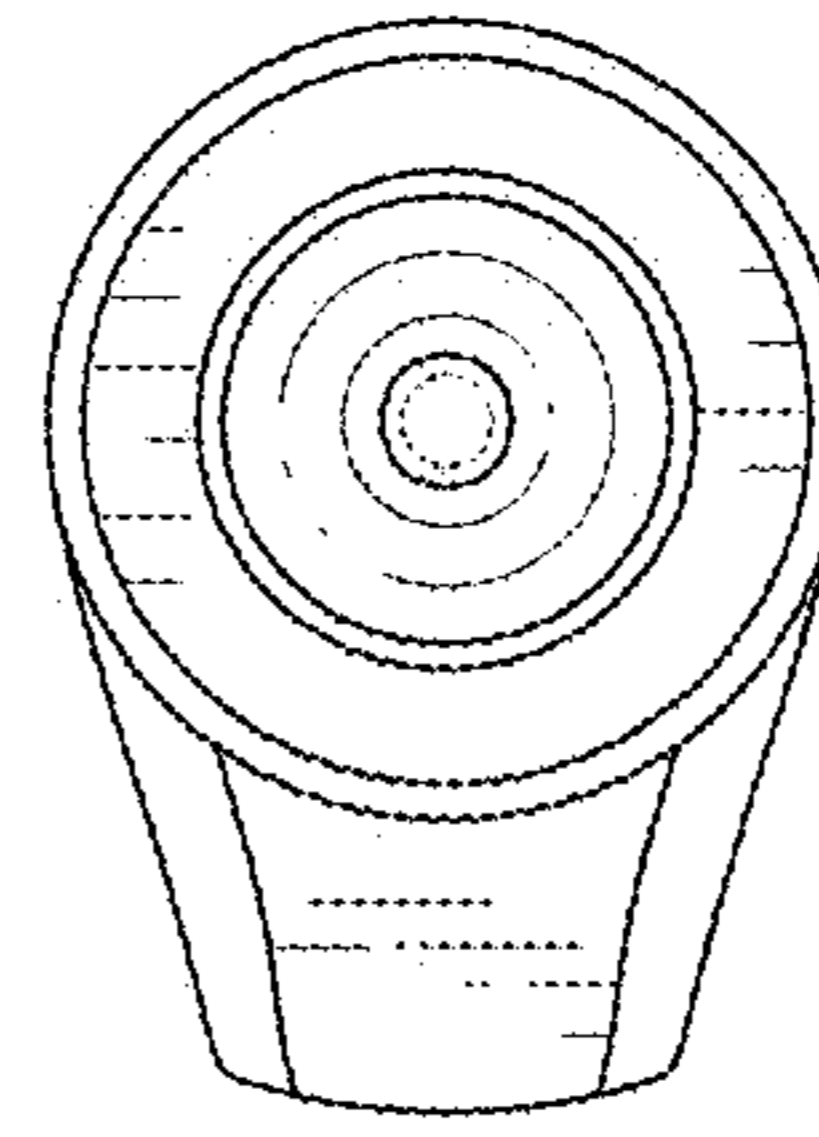


Fig. 7.

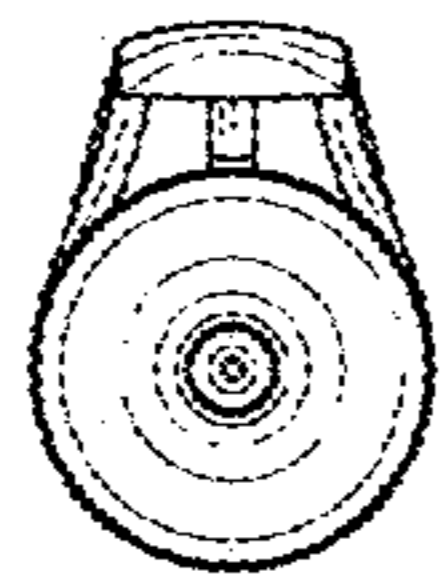


Fig. 6.

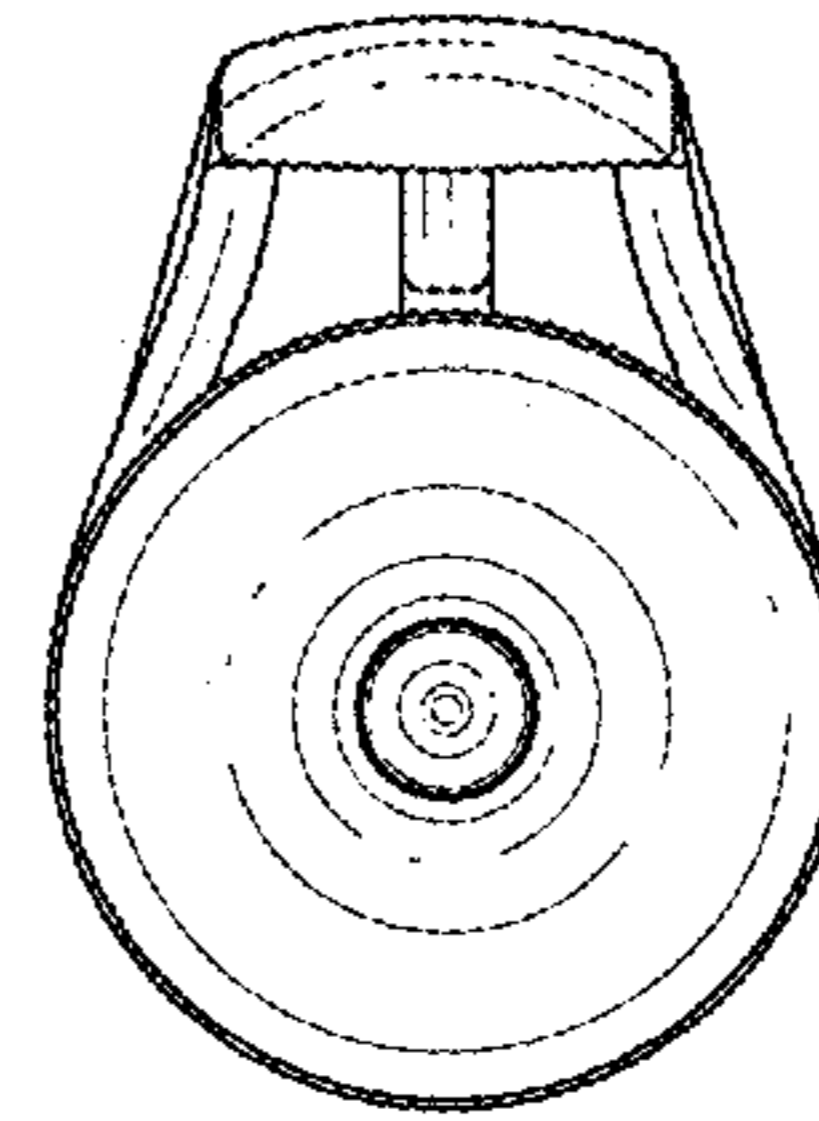


Fig. 8.