



US00D835717S

(12) **United States Design Patent**
Xie

(10) **Patent No.:** **US D835,717 S**

(45) **Date of Patent:** **** Dec. 11, 2018**

(54) **PENCIL SHARPENER**

(71) Applicant: **Beifa Group Co., Ltd.**, Ningbo (CN)

(72) Inventor: **Jianzhe Xie**, Ningbo (CN)

(73) Assignee: **Beifa Group Co., Ltd.**, Ningbo (CN)

(**) Term: **15 Years**

(21) Appl. No.: **29/601,984**

(22) Filed: **Apr. 27, 2017**

(30) **Foreign Application Priority Data**

Oct. 28, 2016 (CN) 2016 3 0533192

(51) **LOC (11) Cl.** **19-06**

(52) **U.S. Cl.**
USPC **D19/73**

(58) **Field of Classification Search**
USPC D19/72-74; D8/91, 93, 98-100
CPC B43L 23/00; B43L 23/002; B43L 23/006;
B43L 23/008; B43L 23/02; B43L 23/04;
B43L 23/06; B43L 23/08; B43L 23/085
See application file for complete search history.

(56) **References Cited**

U.S. PATENT DOCUMENTS

2,691,960	A *	10/1954	Leeds	B43L 23/08
					30/451
D240,829	S *	8/1976	Jones et al.	D23/369
D317,044	S *	5/1991	Thomson	D23/367
5,394,613	A *	3/1995	Ku	B43L 23/02
					144/28.11
D383,165	S *	9/1997	Gstalder	D19/73
D396,249	S *	7/1998	Carlson	D19/86
D411,322	S *	6/1999	Suzuki	D20/10
D457,200	S *	5/2002	Dove	D21/533
D462,475	S *	9/2002	Wu	D26/104

D465,149	S *	11/2002	Bennett	D9/691
D477,847	S *	7/2003	Gosse	D19/73
D484,418	S *	12/2003	Diete	D9/520
D488,800	S *	4/2004	Wiener	D14/207
D501,887	S *	2/2005	Lee	D19/90
D509,890	S *	9/2005	Stavale	D23/366
D509,894	S *	9/2005	Hoyt	D23/366
D546,442	S *	7/2007	Collins	D24/115
D563,593	S *	3/2008	Audrito	D26/104
D638,473	S *	5/2011	Zemskov	D19/73
D676,489	S *	2/2013	Chen	D19/73
D678,413	S *	3/2013	Chen	D19/73
D678,414	S *	3/2013	Chen	D19/73
8,459,508	B2 *	6/2013	Westphal	B65D 83/386
					222/131
D703,415	S *	4/2014	Khan	A61G 17/08
					D99/5
D705,067	S *	5/2014	Dubitsky	D9/444
D705,864	S *	5/2014	Tong	D19/73
D716,661	S *	11/2014	Dubitsky	D9/435
D742,966	S *	11/2015	Lir	D19/187

(Continued)

Primary Examiner — Elizabeth A. Albert

(74) *Attorney, Agent, or Firm* — Seed Intellectual Property Law Group LLP

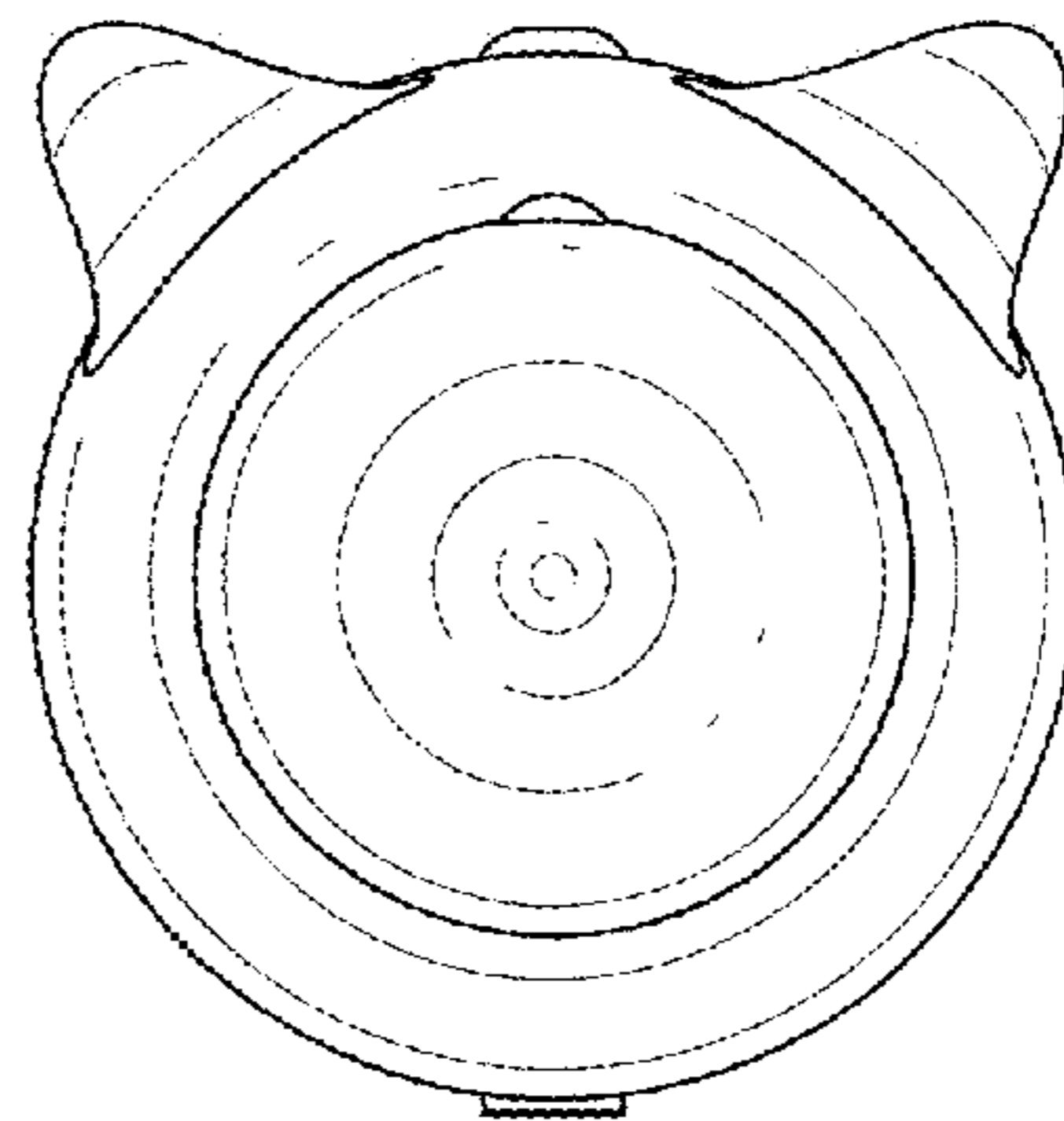
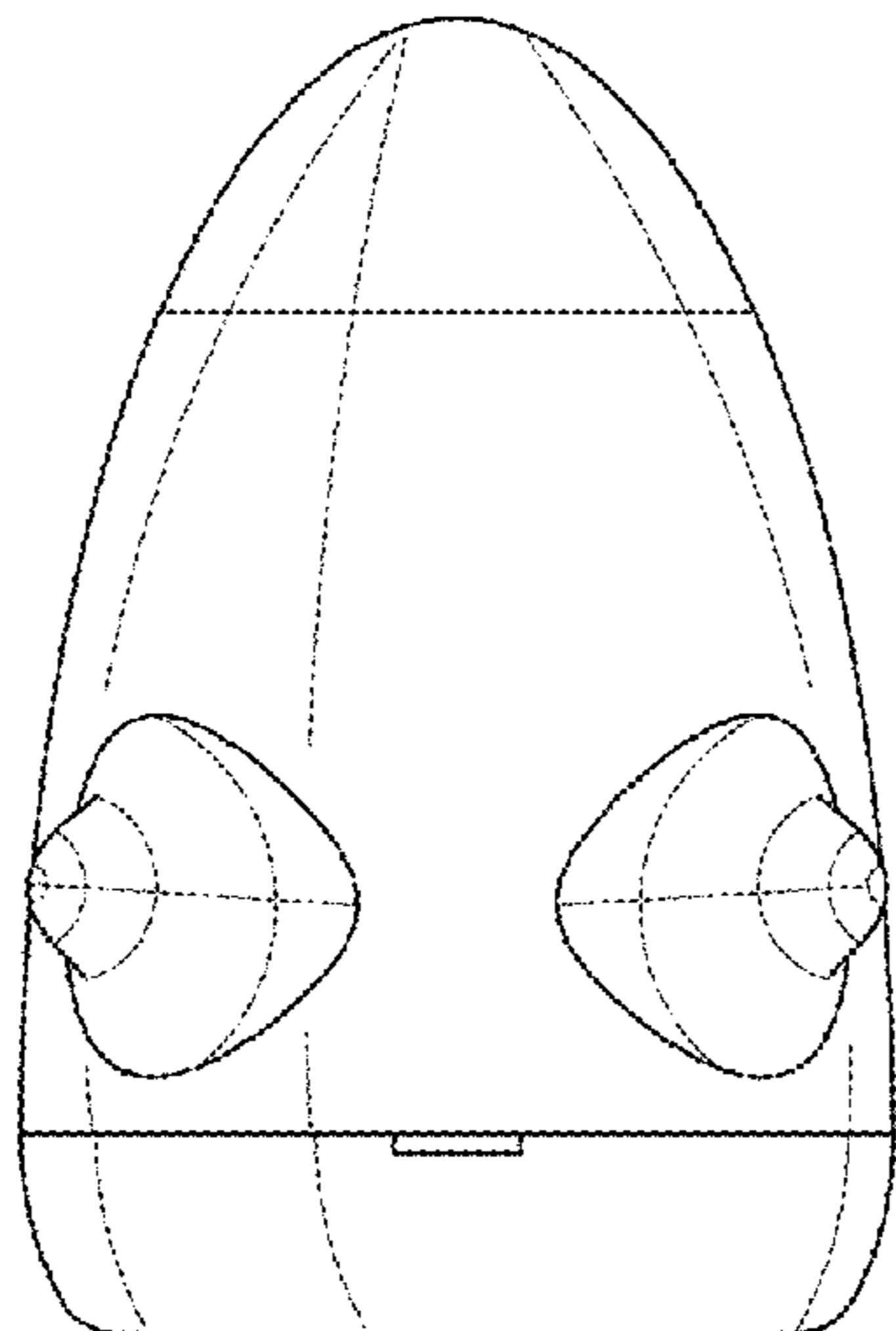
(57) **CLAIM**

The ornamental design for a pencil sharpener, as shown and described.

DESCRIPTION

FIG. 1 is a tilted view of a pencil sharpener rotated between a rear and right side elevation view showing my new design. FIG. 2 is a front elevation view thereof. FIG. 3 is a rear elevation view thereof. FIG. 4 is a left side elevation view thereof, with the right side elevation view being a mirror image of the left side elevation view. FIG. 5 is a bottom plan view thereof; and, FIG. 6 is a top plan view thereof.

1 Claim, 4 Drawing Sheets



(56)

References Cited

U.S. PATENT DOCUMENTS

D753,220 S * 4/2016 Cozzolino D19/73
D774,019 S * 12/2016 Park D14/216
D779,137 S * 2/2017 Taylor D32/1

* cited by examiner

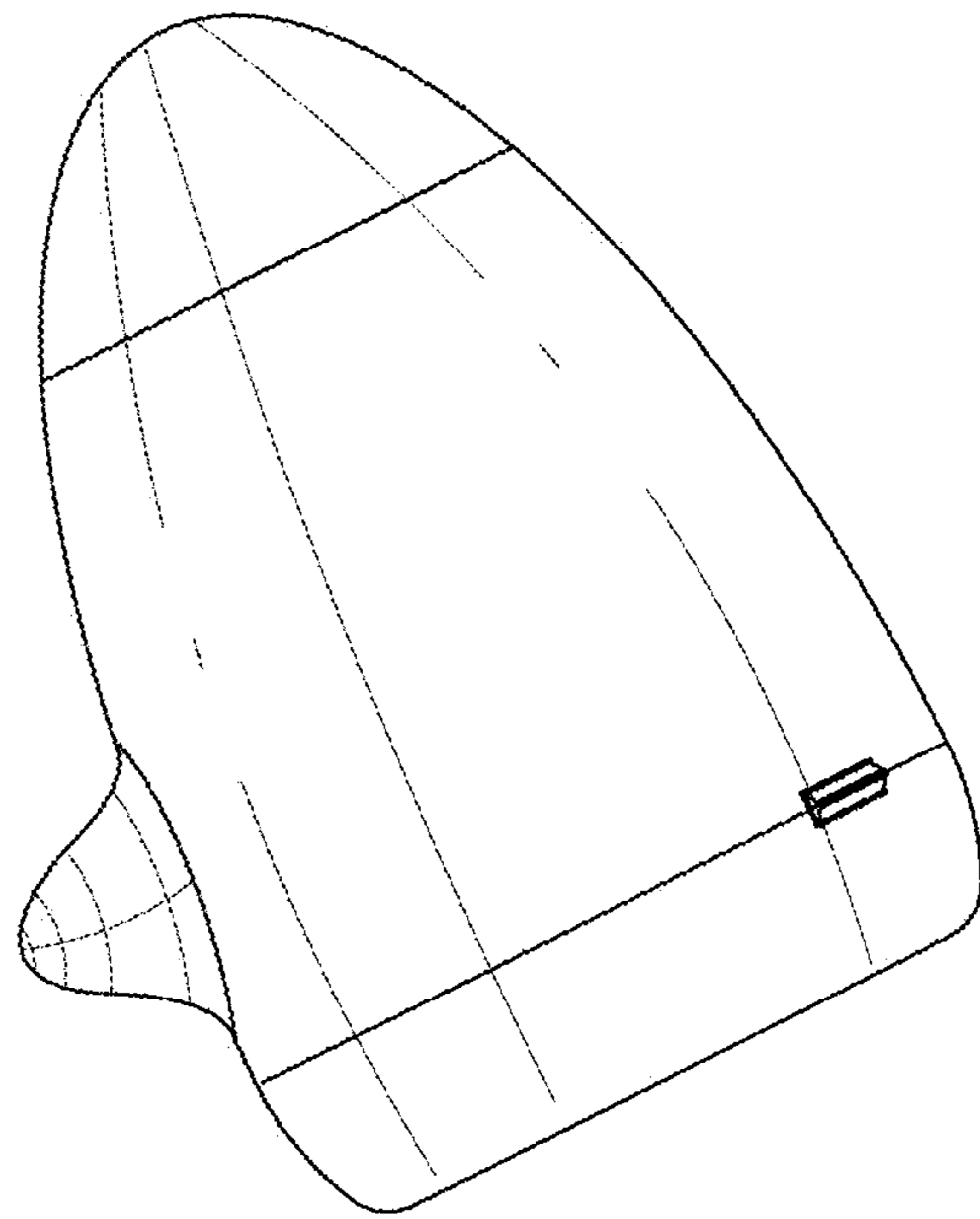


Fig. 1.

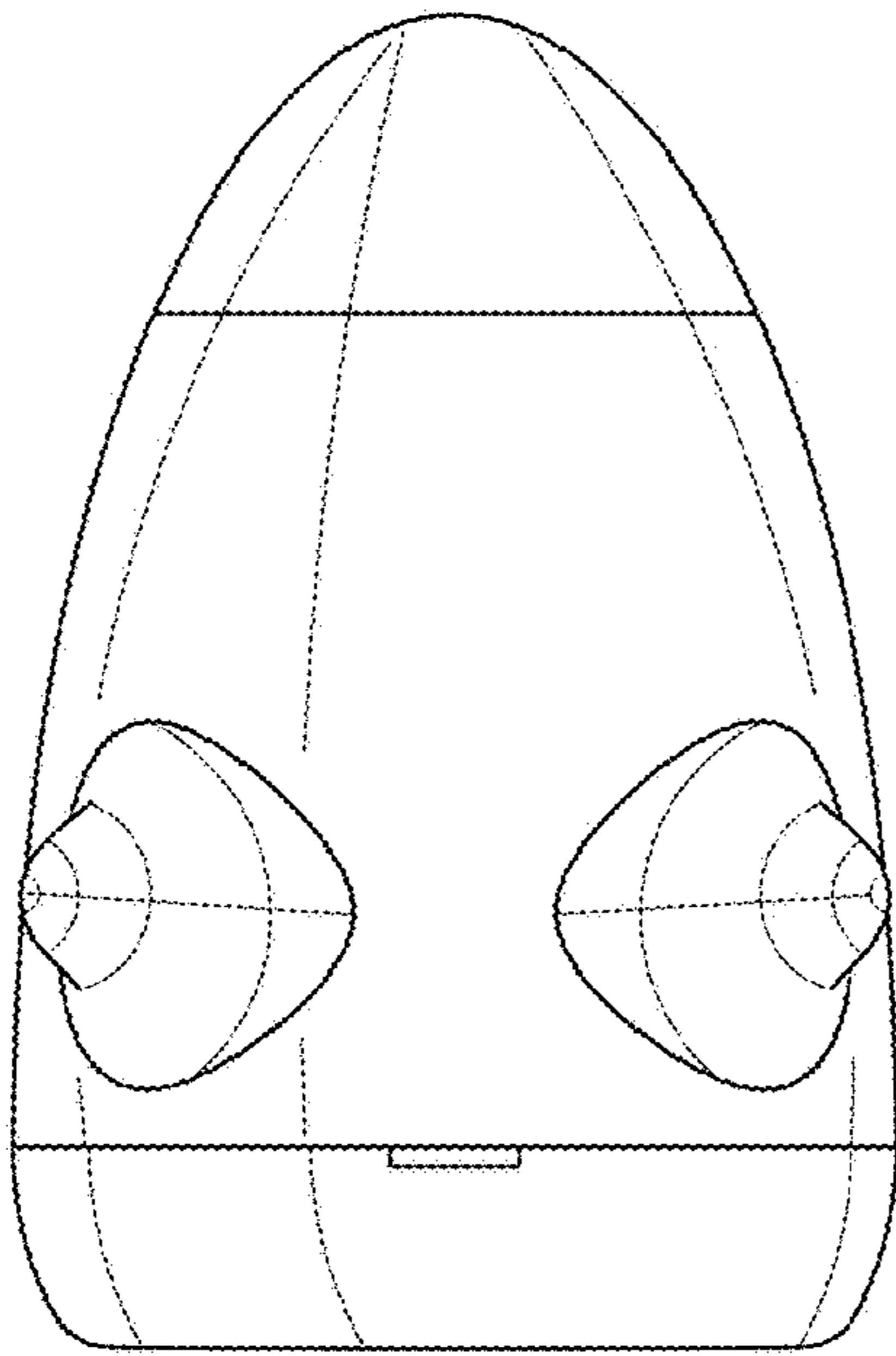


Fig. 2.

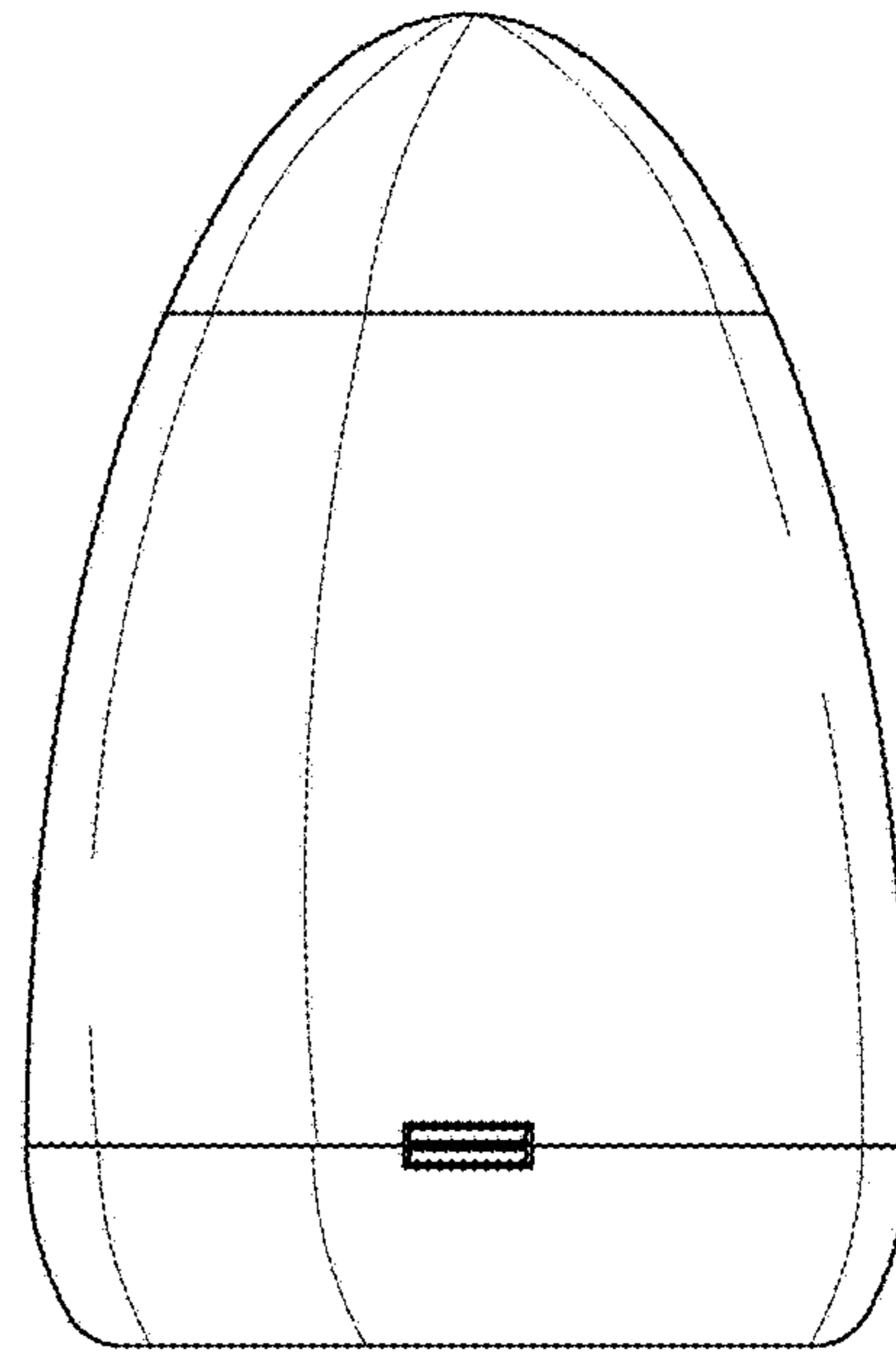


Fig. 3.

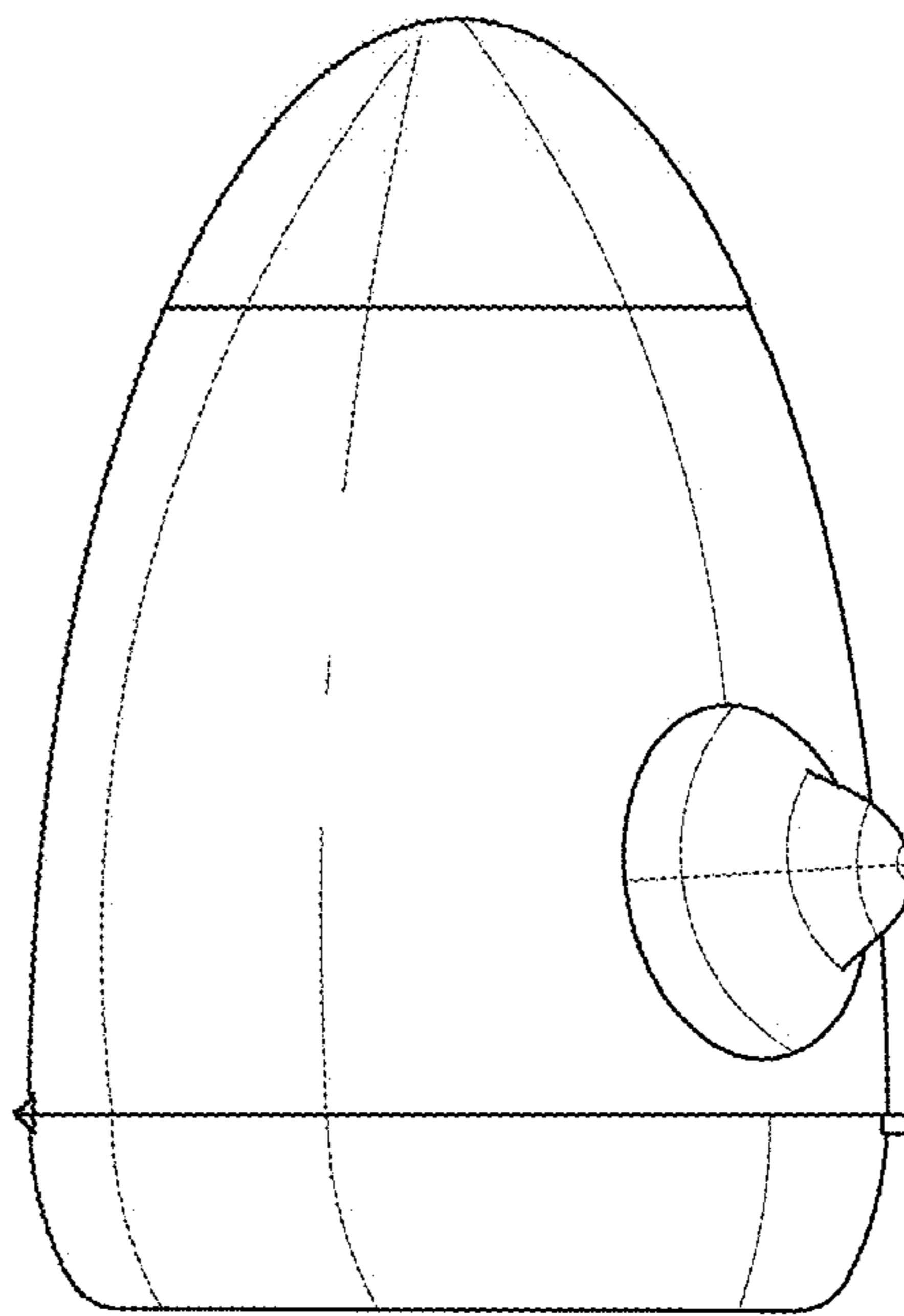


Fig. 4.

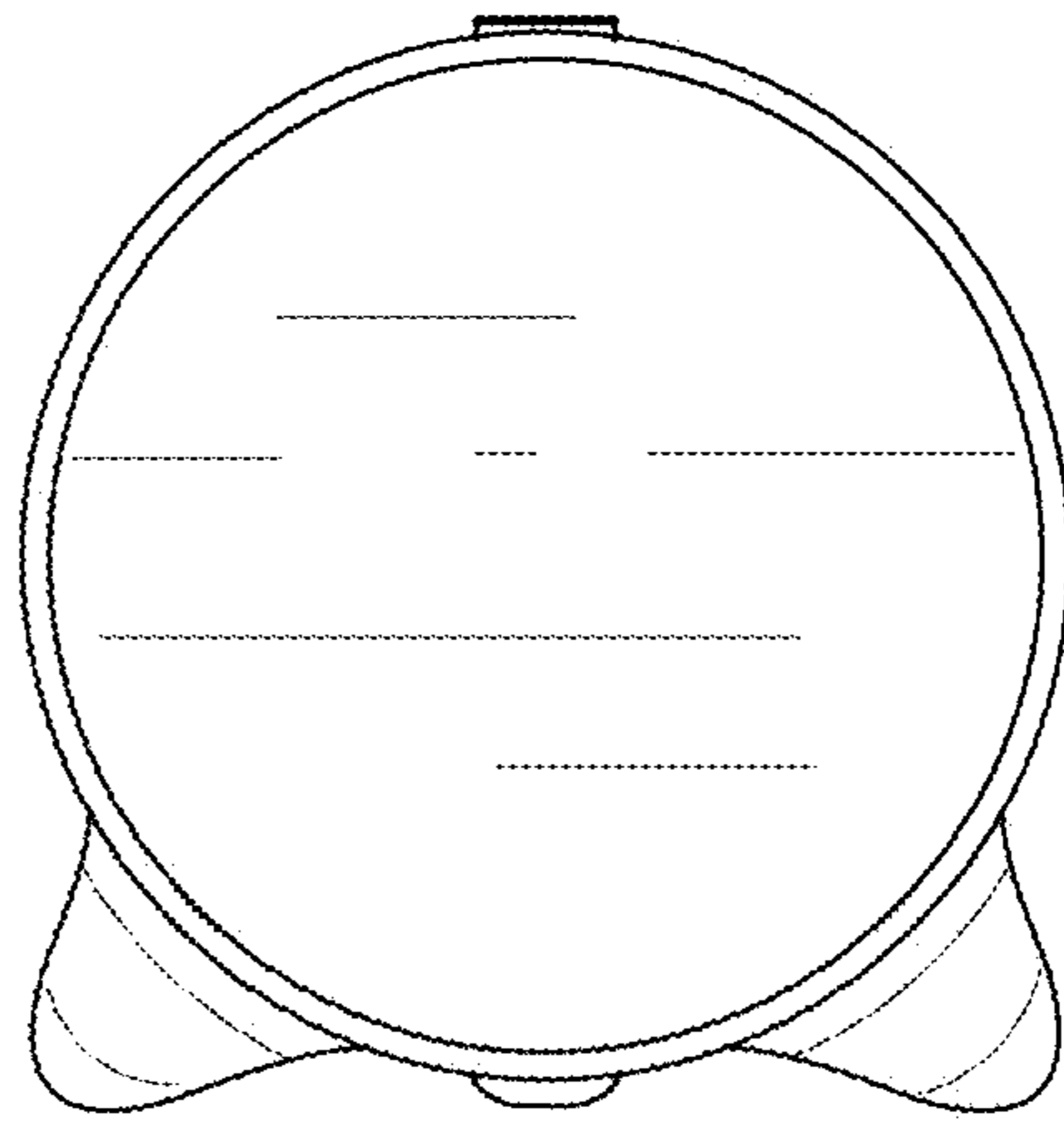


Fig. 5.

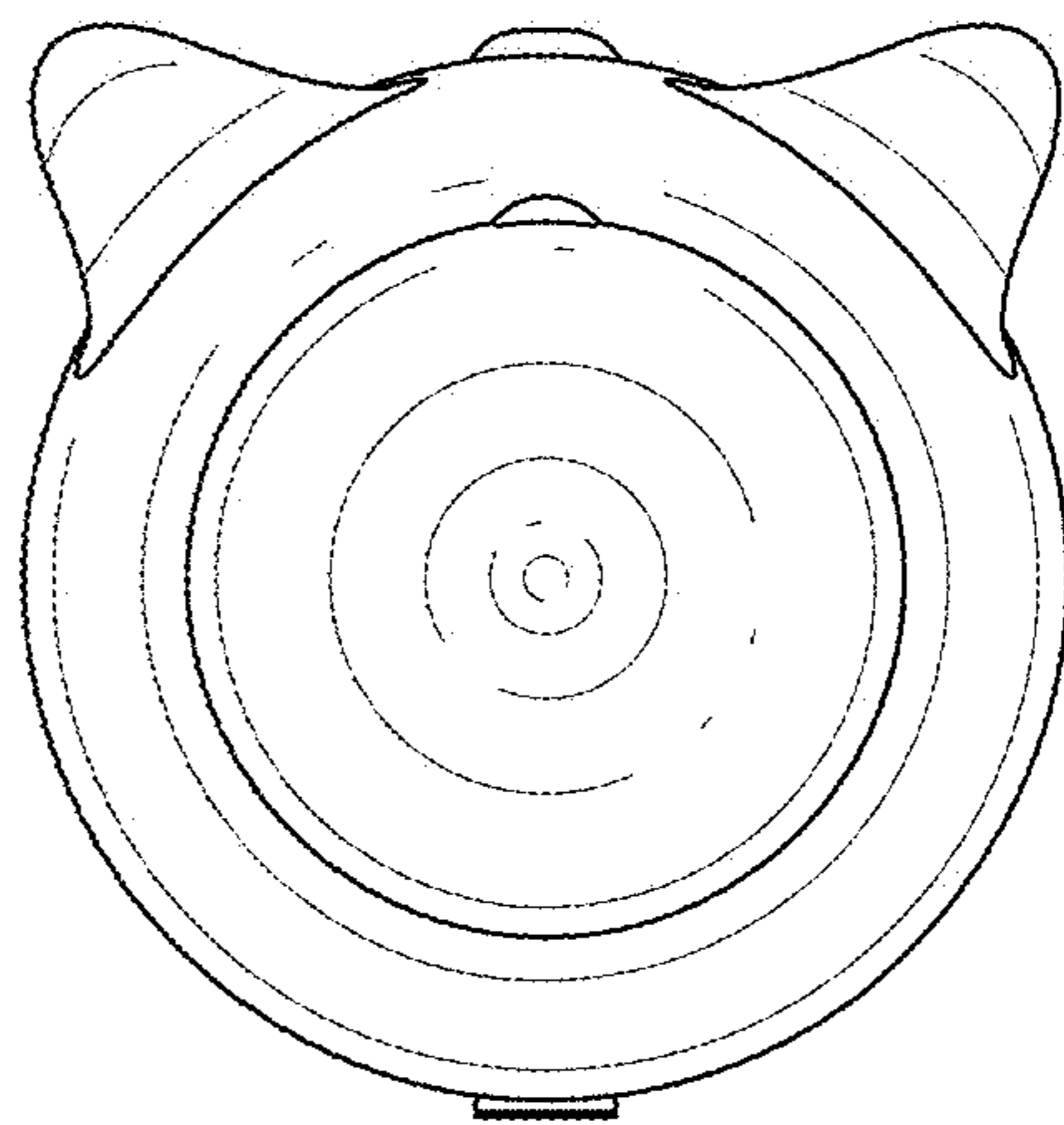


Fig. 6.