



US00D835716S

(12) **United States Design Patent**
Clifford et al.

(10) **Patent No.:** **US D835,716 S**

(45) **Date of Patent:** **** Dec. 11, 2018**

(54) **ABACUS**

(71) Applicants: **Megan Clifford**, Wilton, NH (US);
Daniel Blackmer, Wilton, NV (US)

(72) Inventors: **Megan Clifford**, Wilton, NH (US);
Daniel Blackmer, Wilton, NV (US)

(**) **Term:** **15 Years**

(21) **Appl. No.:** **29/610,965**

(22) **Filed:** **Jul. 18, 2017**

(51) **LOC (11) Cl.** **19-07**

(52) **U.S. Cl.**
USPC **D19/62**; D18/6

(58) **Field of Classification Search**
USPC D19/59-64; D18/6, 9; D10/46.1
CPC G06N 99/005; G06C 1/00; A44C 5/0015;
A63B 71/0672; A63F 3/04; A63F 3/0478;
A63F 3/00634; A63F 9/0098; A63F 9/06;
G09B 1/02; G09B 1/10; G09B 1/14;
G09B 1/20; G09B 19/00; G09B 19/02;
G09B 9/02
See application file for complete search history.

(56) **References Cited**

U.S. PATENT DOCUMENTS

D136,472 S *	10/1943	Hamlin	D18/6
D198,847 S *	8/1964	Mathison	D18/6
3,829,994 A *	8/1974	Dillon	A44B 15/005 40/493
D330,168 S *	10/1992	Stoian	D10/46.1
D417,405 S *	12/1999	Tsai	D10/46.1
6,315,675 B1 *	11/2001	Ho	A63D 15/20 235/68

D504,919 S *	5/2005	Dinwiddie, Jr.	D21/385
D513,762 S *	1/2006	Young	434/203
D812,131 S *	3/2018	Lengdorfer	D18/6
D813,306 S *	3/2018	Rule	D19/62
2007/0048708 A1 *	3/2007	Lee	G09B 19/02 434/236
2017/0102729 A1 *	4/2017	Ylitalo	G06C 1/00
2017/0236430 A1 *	8/2017	Kalia	G09B 1/10 434/159

FOREIGN PATENT DOCUMENTS

DE 3130114 A1 * 2/1983 G06C 1/00

OTHER PUBLICATIONS

Facebook. Link: <https://www.facebook.com/optimotus/>. Jun. 22, 2018. AMRAP abacus. (Year: 2018).*

* cited by examiner

Primary Examiner — Ian Simmons
Assistant Examiner — Lauren D McVey
(74) *Attorney, Agent, or Firm* — Luis Figarella

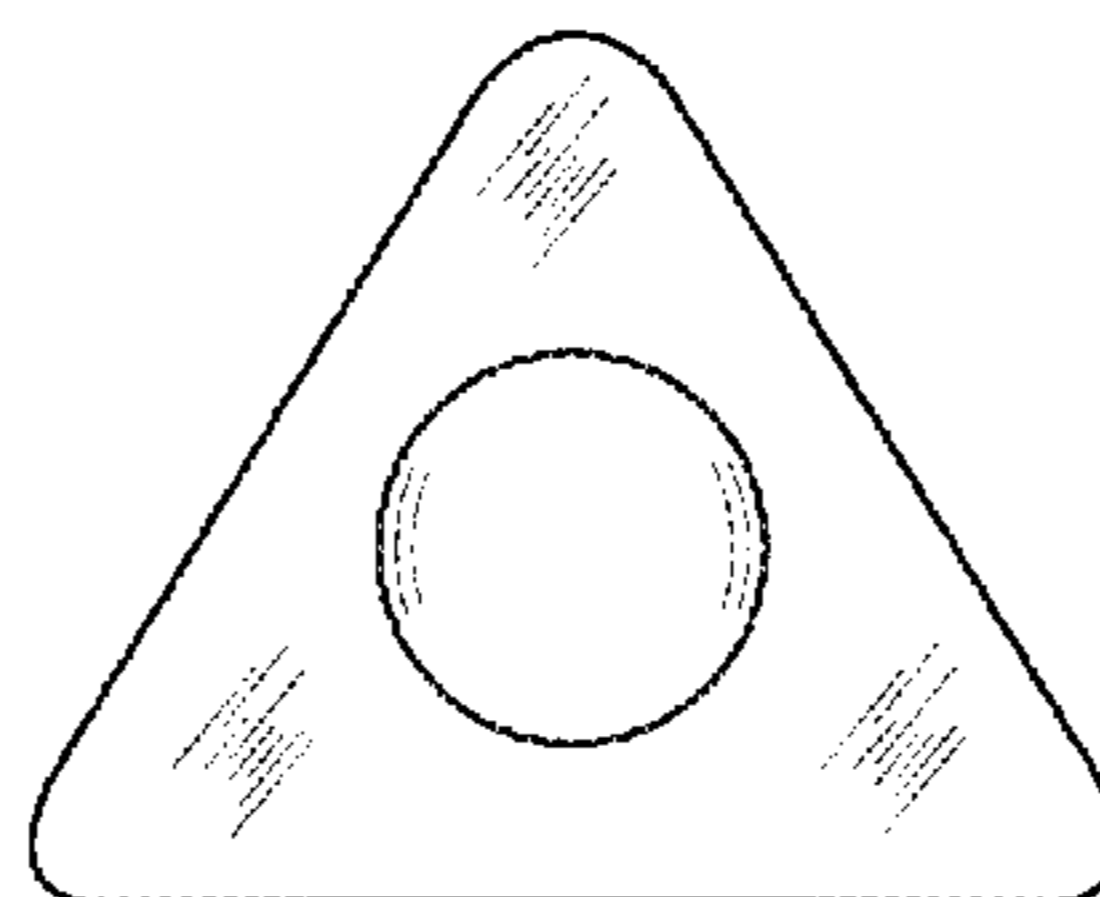
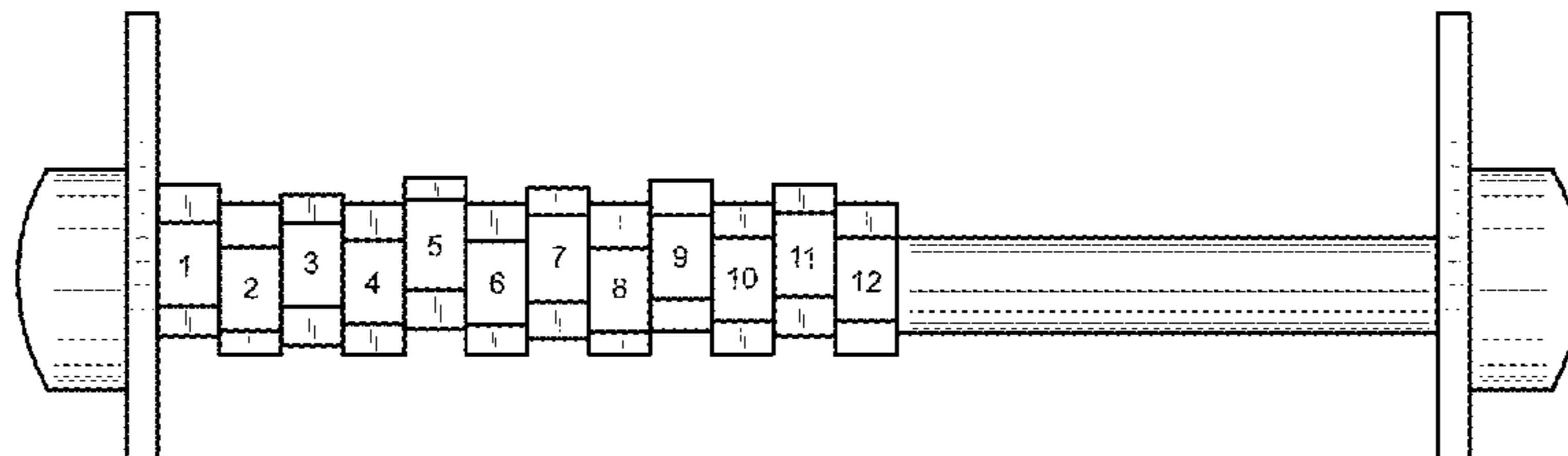
(57) **CLAIM**

The ornamental design for an abacus, as shown and described.

DESCRIPTION

FIG. 1 is a perspective view of an abacus showing our new design in a first position.
FIG. 2 is a top plan view in a second position.
FIG. 3 is a front side elevation view of FIG. 1.
FIG. 4 is a front side elevation view in a third position; and,
FIG. 5 is a side plan view thereof.

1 Claim, 3 Drawing Sheets



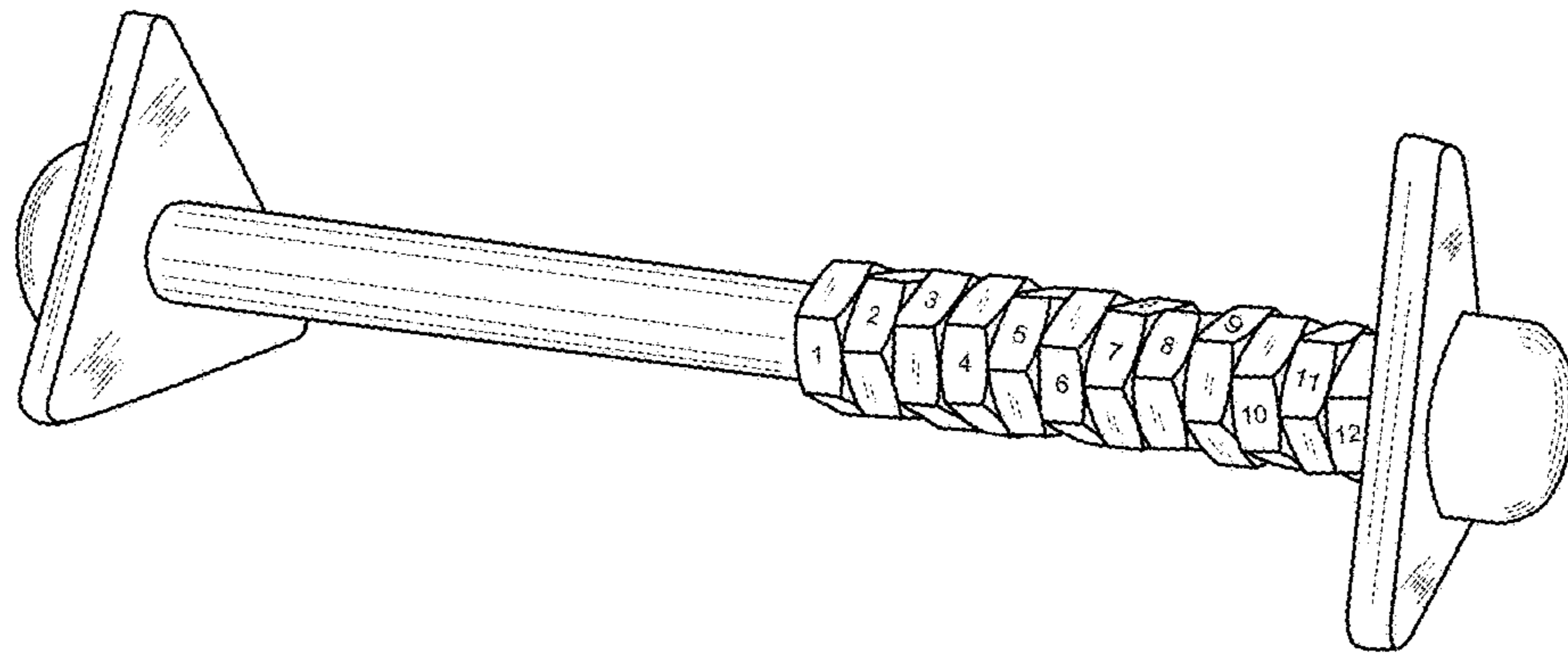


FIG. 1

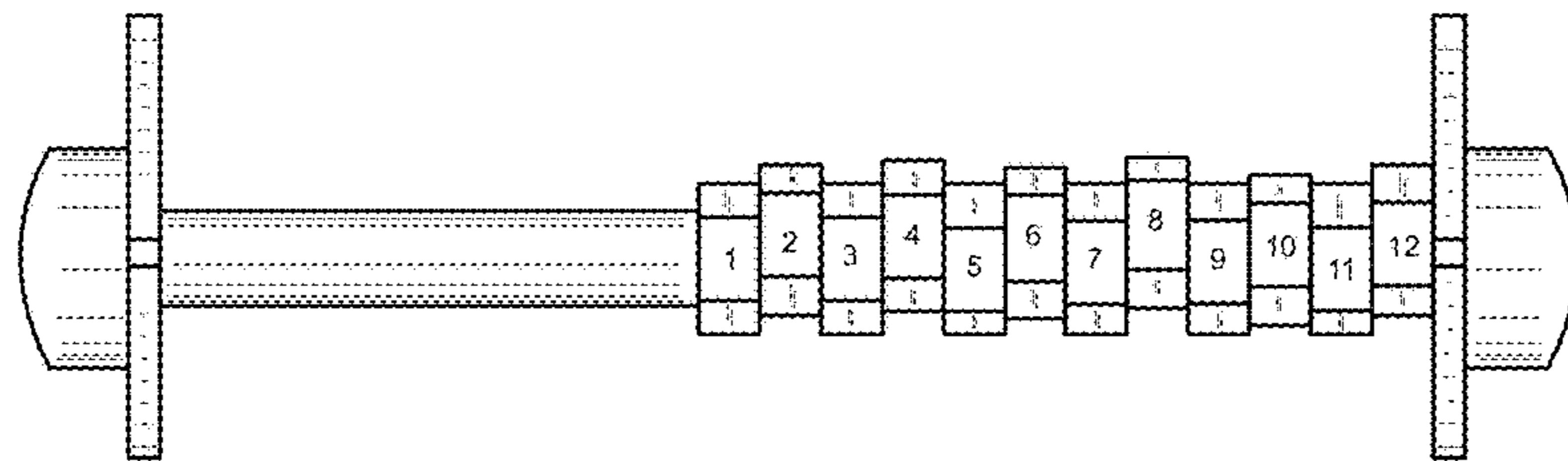


FIG. 2

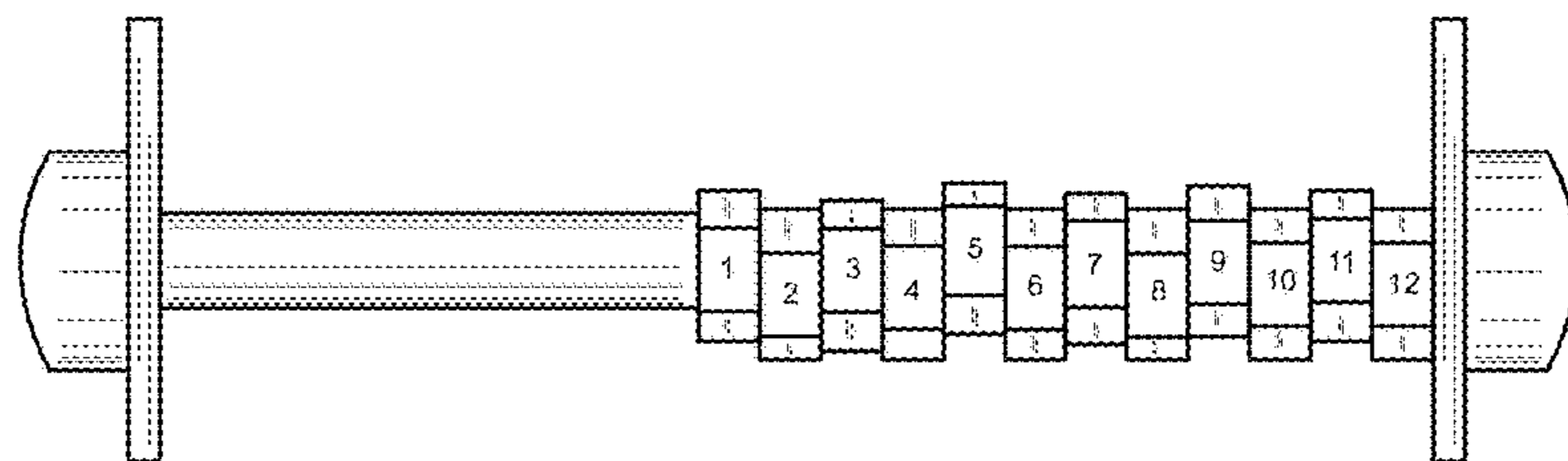


FIG. 3

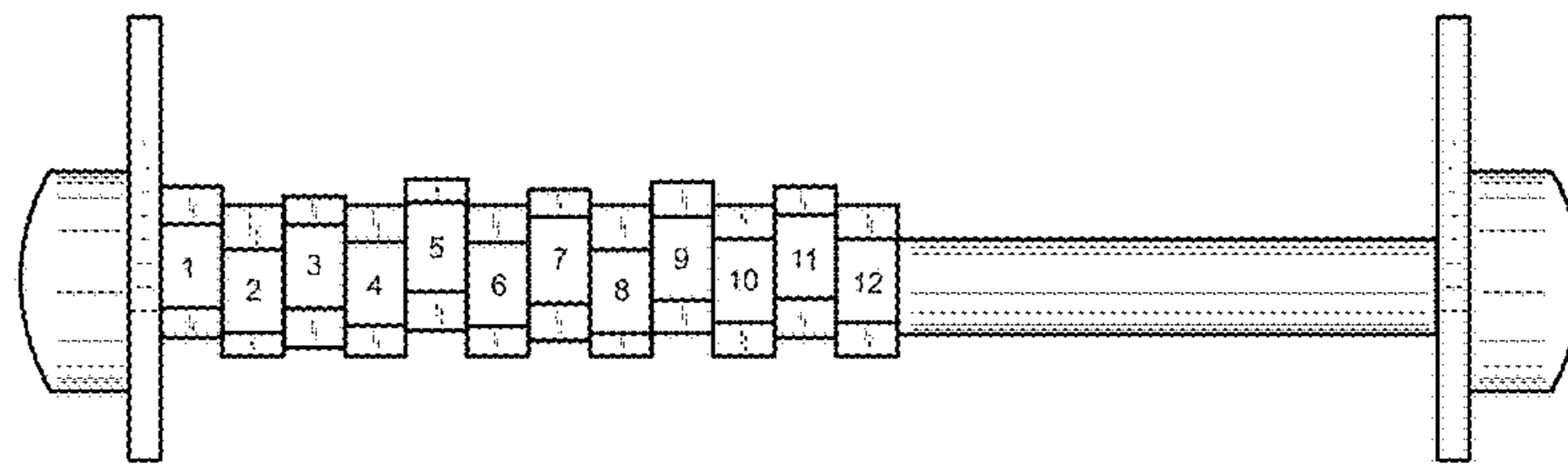


FIG. 4

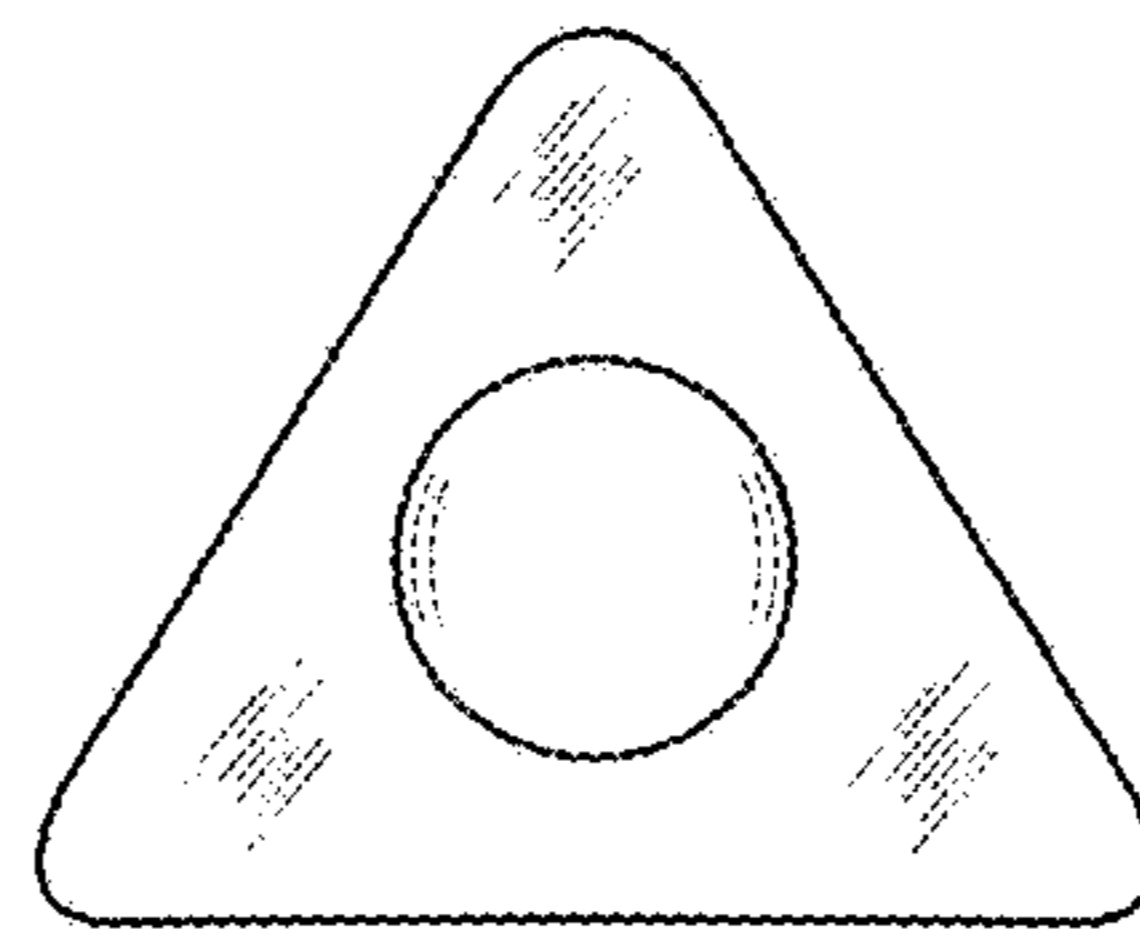


FIG. 5