



US00D835711S

(12) **United States Design Patent**
Kenkman

(10) **Patent No.:** **US D835,711 S**

(45) **Date of Patent:** **** Dec. 11, 2018**

(54) **SINGLE CLAW DRUM DISPLAY**

(71) Applicant: **Steve Kenkman**, Newcastle, WA (US)

(72) Inventor: **Steve Kenkman**, Newcastle, WA (US)

(**) Term: **15 Years**

(21) Appl. No.: **29/574,442**

(22) Filed: **Aug. 15, 2016**

Related U.S. Application Data

(63) Continuation-in-part of application No. 29/506,908, filed on Oct. 21, 2014, now Pat. No. Des. 763,953.

(51) **LOC (11) Cl.** **17-04**

(52) **U.S. Cl.**
USPC **D17/22**

(58) **Field of Classification Search**
USPC D17/22, 23, 99; D21/405, 300, 324, 396, D21/398
CPC G10D 13/00; G10D 13/003; G10D 13/02; G10D 13/026; G10D 13/027; G10D 13/029
See application file for complete search history.

(56) **References Cited**

U.S. PATENT DOCUMENTS

416,327	A *	12/1889	Durkee	G10D 13/023
					84/411 R
1,022,149	A *	4/1912	Maphet	G10D 13/026
					248/166
1,330,814	A *	2/1920	Meyer	G10D 13/00
					248/226.11
D58,747	S	8/1921	Gulick		
1,828,083	A	10/1931	Strupe		
2,565,225	A	8/1951	Gladstone		
2,615,662	A *	10/1952	Sannebeck	G10D 13/026
					248/124.2
3,113,481	A	12/1963	Thompson		
3,346,732	A	10/1967	Crusius		

(Continued)

OTHER PUBLICATIONS

Amazon, Pearl D054 Bass Drum Claw, posted Jun. 28, 2013, [online], [site visited Jul. 18, 2018]. Available from Internet, <URL: <https://www.amazon.ca/Pearl-D054-Bass-Drum-Claw/dp/B0002EJW62>> (Year: 2013).*

(Continued)

Primary Examiner — Sheryl Lane

Assistant Examiner — Samantha N Wood

(74) *Attorney, Agent, or Firm* — Dean A. Craine, P.S.

(57) **CLAIM**

The ornamental design for a single claw drum display.

DESCRIPTION

FIG. 1 is a front, top perspective view of a single claw drum display.

FIG. 2 is a right side elevational view of the single claw drum display shown in FIG. 1.

FIG. 3 is a bottom plan view of the single claw drum display shown in FIG. 1.

FIG. 4 is a top plan view of the single claw drum display shown in FIG. 1.

FIG. 5 is a sectional side elevational view of the drum display shown in FIG. 1.

FIG. 6 is a front, top perspective view of a second embodiment of a single claw drum display.

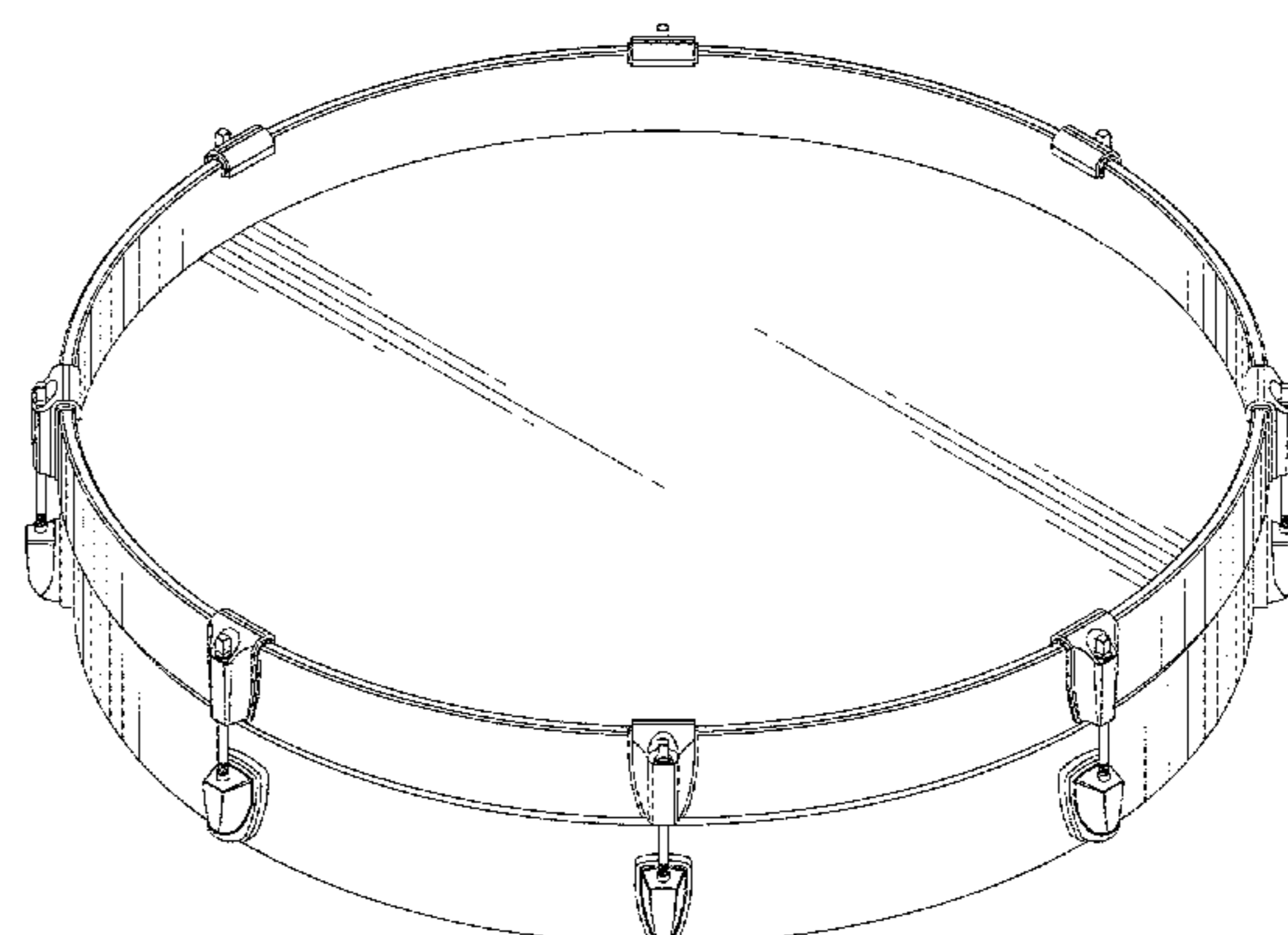
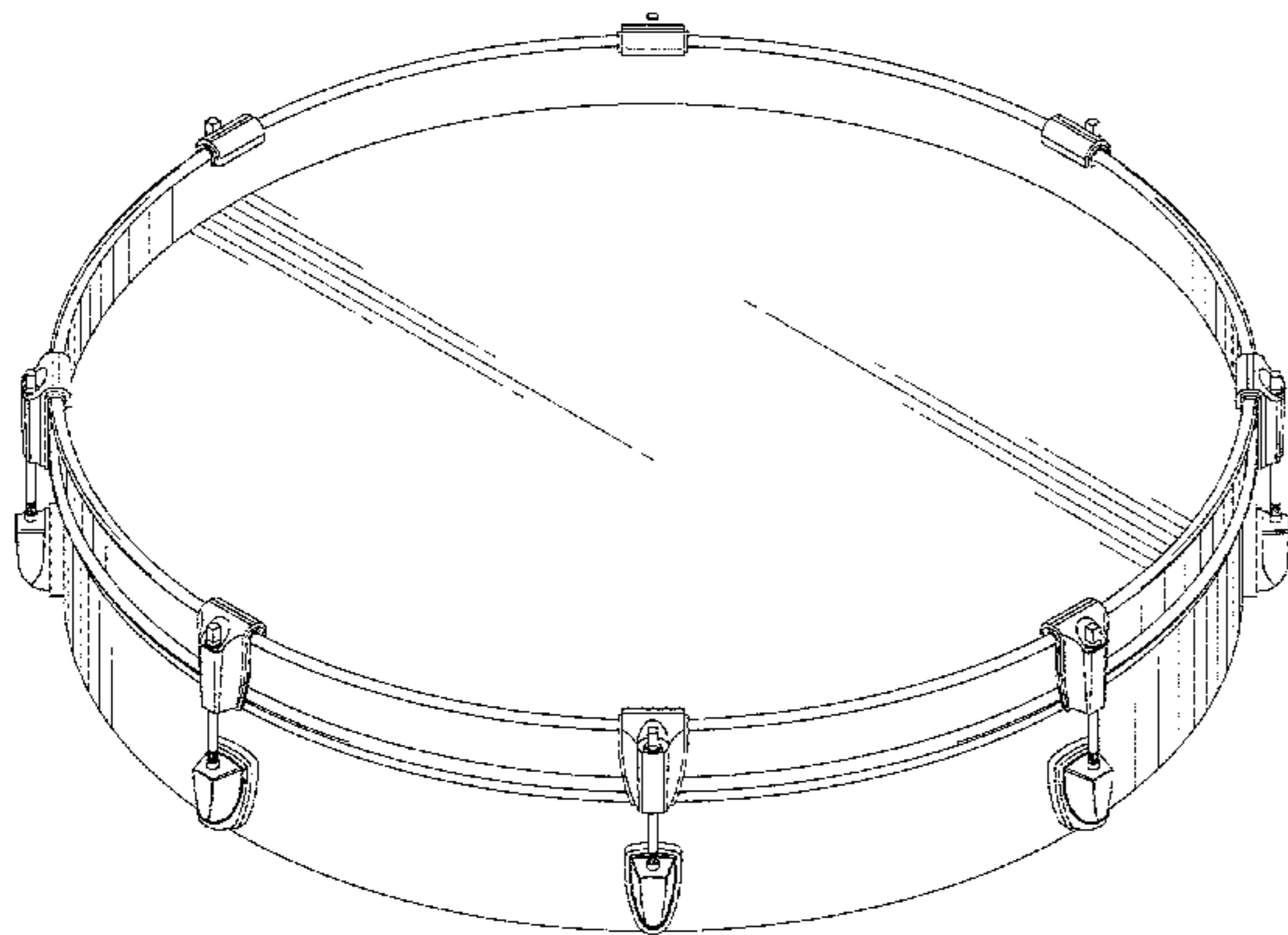
FIG. 7 is a right side elevational view of the single claw drum display shown in FIG. 6.

FIG. 8 is a top plan view of the single claw drum display shown in FIG. 6.

FIG. 9 is a bottom plan view of the single claw drum display shown in FIG. 6; and,

FIG. 10 is a sectional side elevational view of the drum display shown in FIG. 8

1 Claim, 8 Drawing Sheets



(56)

References Cited

U.S. PATENT DOCUMENTS

3,482,479 A 12/1969 Della-Porta
 D218,854 S 9/1970 Thompson
 3,626,801 A 12/1971 Moore
 3,674,911 A * 7/1972 Phillips G10D 13/02
 84/411 R
 3,867,863 A 2/1975 Vennola et al.
 3,955,461 A 5/1976 Ivie
 D254,140 S 2/1980 Kuipers
 4,214,504 A 7/1980 Rex
 4,236,191 A 11/1980 Martinez
 D257,989 S 1/1981 Ludwig
 4,254,685 A 3/1981 Rose
 4,282,793 A 8/1981 Muchnick
 4,441,398 A 4/1984 Baker
 4,520,709 A 6/1985 Kester, Jr.
 4,586,912 A 5/1986 Adams
 D308,983 S 7/1990 Bonsor
 D311,018 S 10/1990 Corder
 D316,090 S 4/1991 Holloway et al.
 5,105,710 A 4/1992 Rothmel
 D340,254 S 10/1993 Yamashita
 5,662,521 A 10/1997 Butler et al.
 D387,375 S 12/1997 Bacco
 5,892,169 A 4/1999 Shapiro
 5,962,798 A 10/1999 Meinel
 5,998,716 A 12/1999 Marquez et al.
 6,095,888 A 8/2000 Panepinto
 6,414,693 B1 7/2002 Berger et al.
 6,443,803 B1 9/2002 Epple, Jr.
 D464,078 S 10/2002 Lau
 D464,986 S 10/2002 Hagiwara
 6,518,490 B2 2/2003 Good

6,805,608 B2 10/2004 Forbes et al.
 D507,589 S 7/2005 Ito
 6,955,582 B1 10/2005 Forbes et al.
 D541,554 S 5/2007 Maitland-Smith
 D553,194 S 10/2007 Huang
 7,351,898 B2 4/2008 Sagastegui
 7,645,928 B2 1/2010 Graham et al.
 7,943,840 B2 5/2011 Yoshino et al.
 D665,839 S 8/2012 Chan
 D668,712 S 10/2012 Gates
 8,283,544 B2 10/2012 Zuffante et al.
 D745,925 S 12/2015 Mori
 D747,229 S 1/2016 Perez
 D756,451 S * 5/2016 Hoshino D17/22
 D763,953 S 8/2016 Kenkman
 D780,836 S 3/2017 Kenkman
 2002/0116298 A1 8/2002 Kamon et al.
 2008/0141845 A1 6/2008 Kennedy
 2009/0319376 A1 12/2009 Mills

OTHER PUBLICATIONS

Rockwest, Select a Head, posted Feb. 4, 2015, [online], [site visited Jul. 18, 2018]. Available from Internet, <URL: http://www.rockwest.tv/select_a_head.php> (Year: 2015).*

TripleWideMedia, DIY Glowing LED Drum Wall, posted Dec. 22, 2015, [online], [site visited Jul. 18, 2018]. Available from Internet, <URL: <http://articles.triplewidemedia.com/diy-drum-wall/>> (Year: 2015).*

Drum Forum, Ringle Wall Display Drum post #3, posted Feb. 15, 2011, [online], [site visited Jul. 18, 2018]. Available from Internet, <URL: <http://www.drumforum.org/index.php?topic/46401-ringo-wall-display-drum-actually-half-drum/#entry512261>> (Year: 2011).*

* cited by examiner

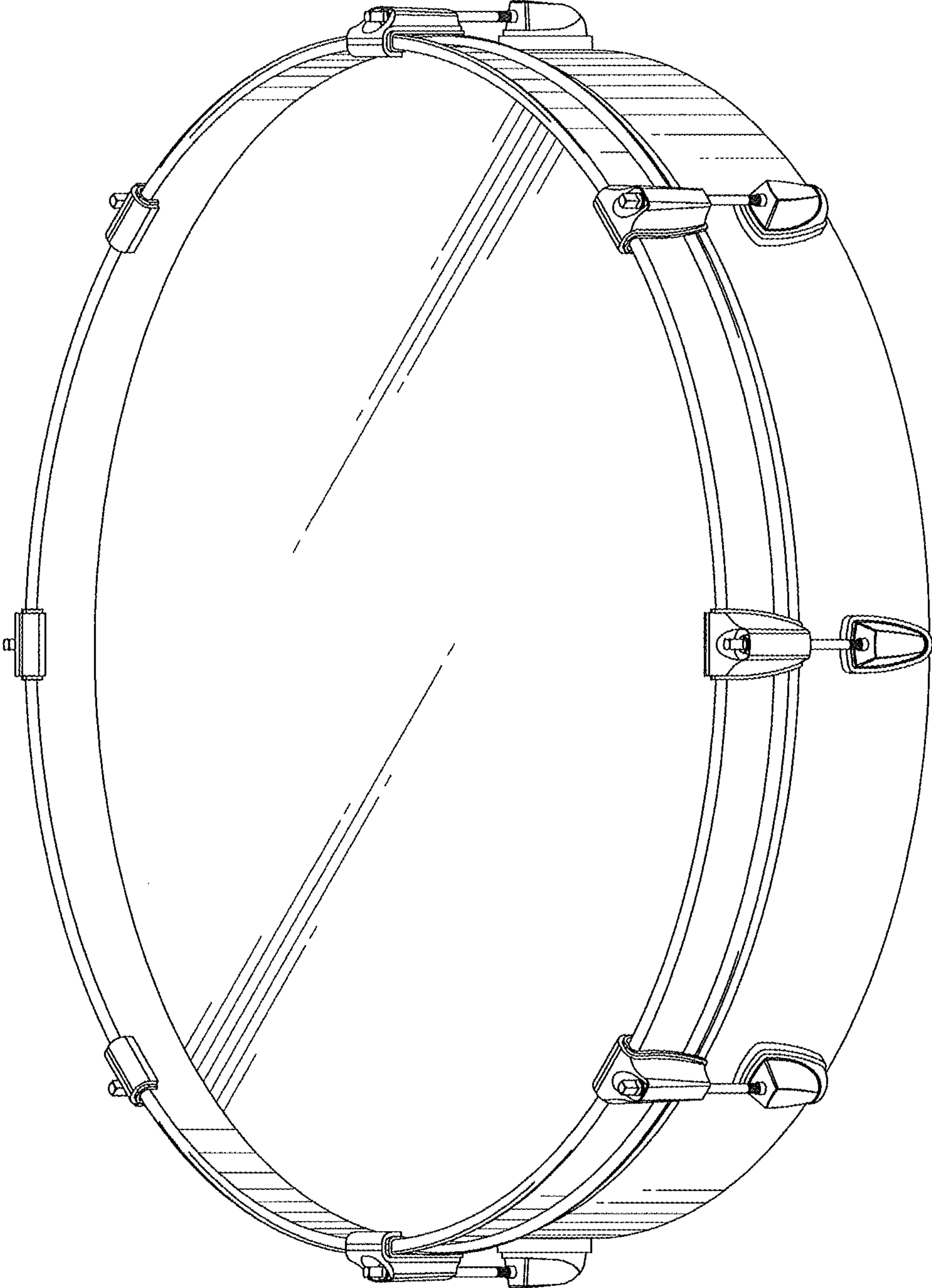


Fig. 1

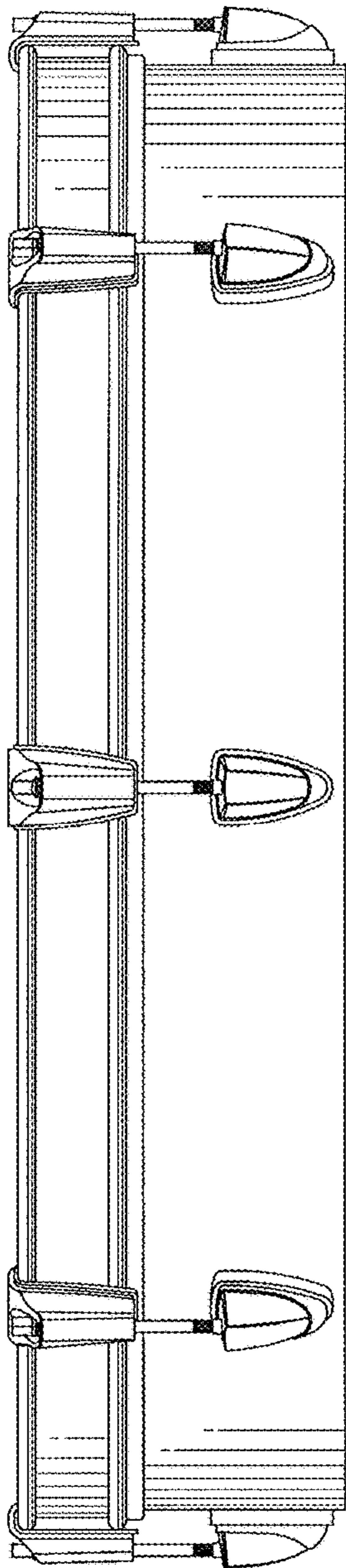


Fig. 2

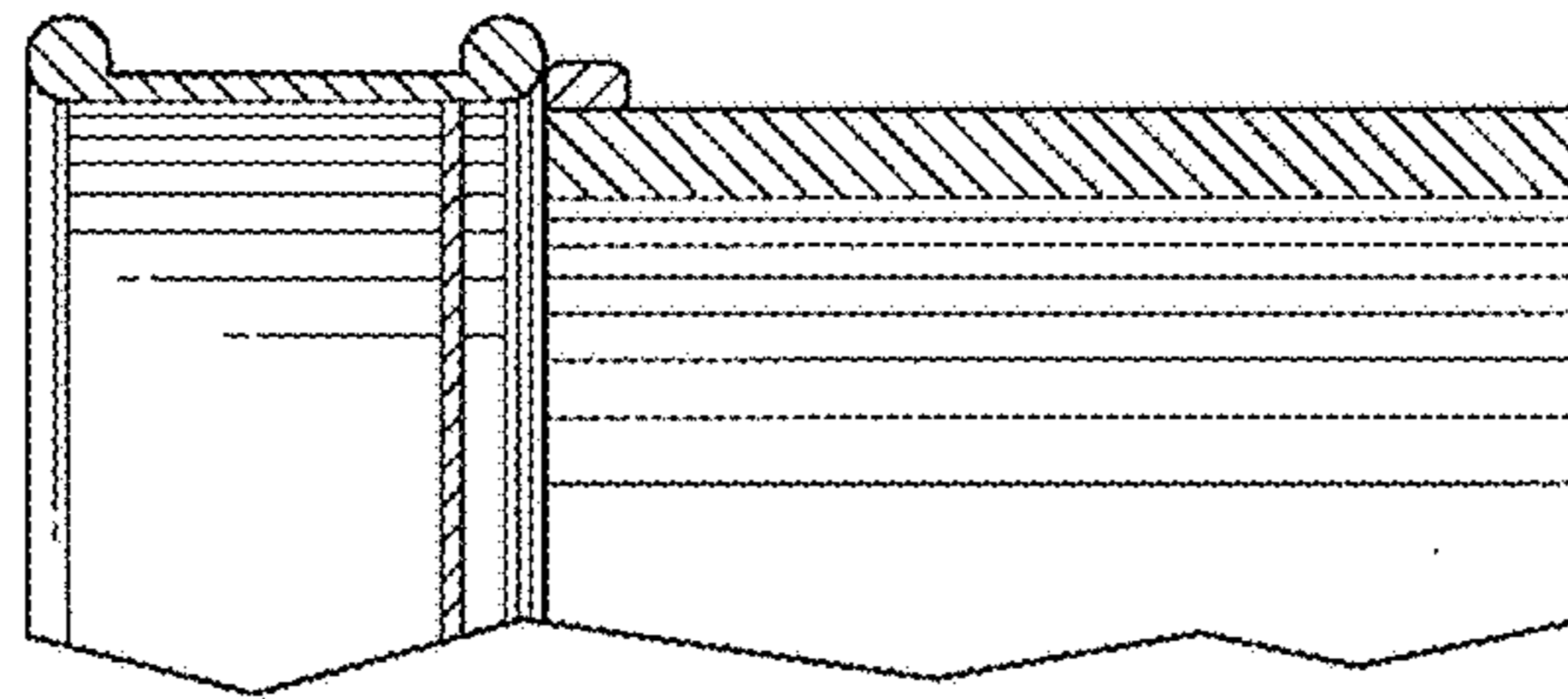


Fig. 5

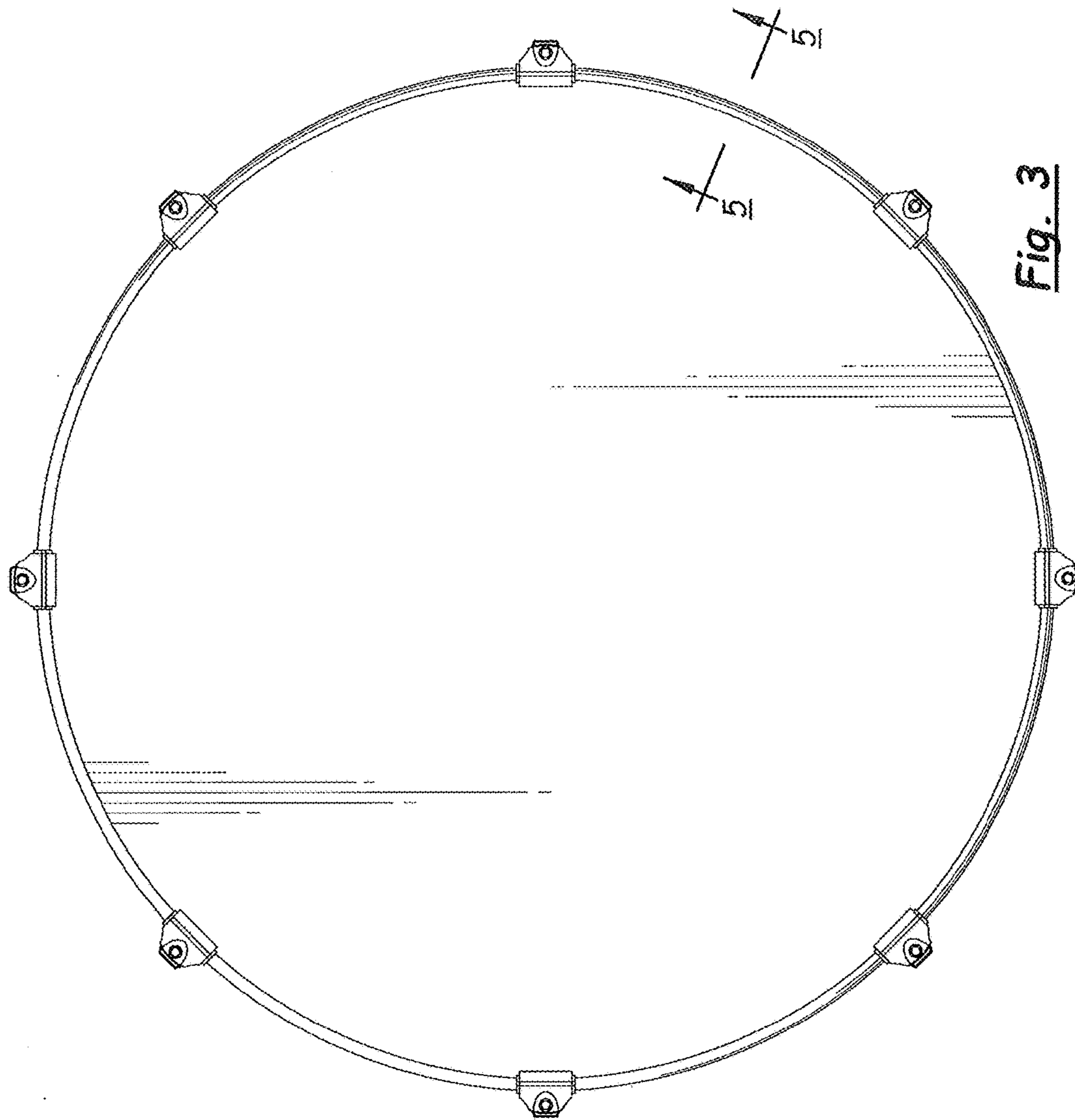


Fig. 3

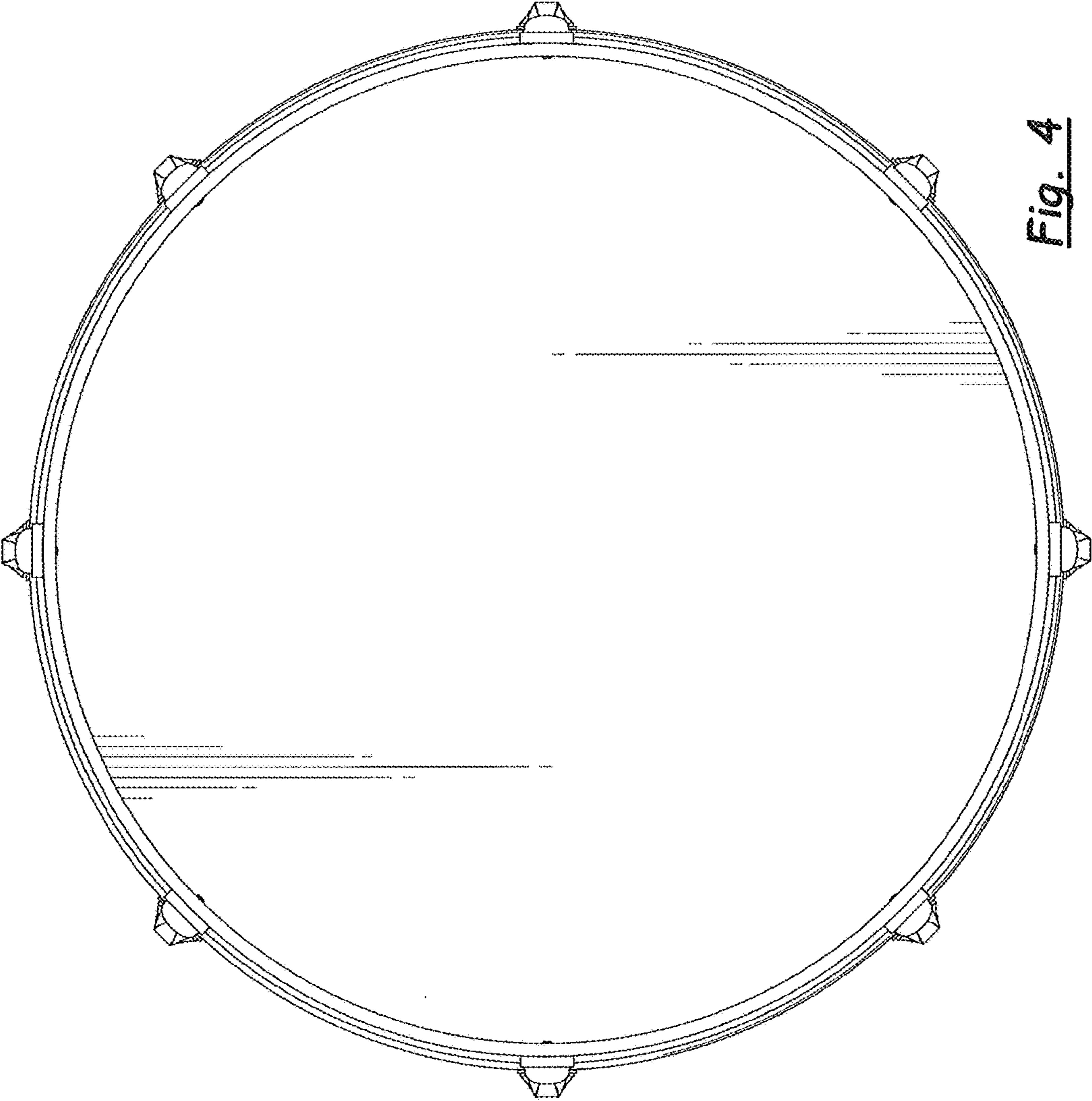


Fig. 4

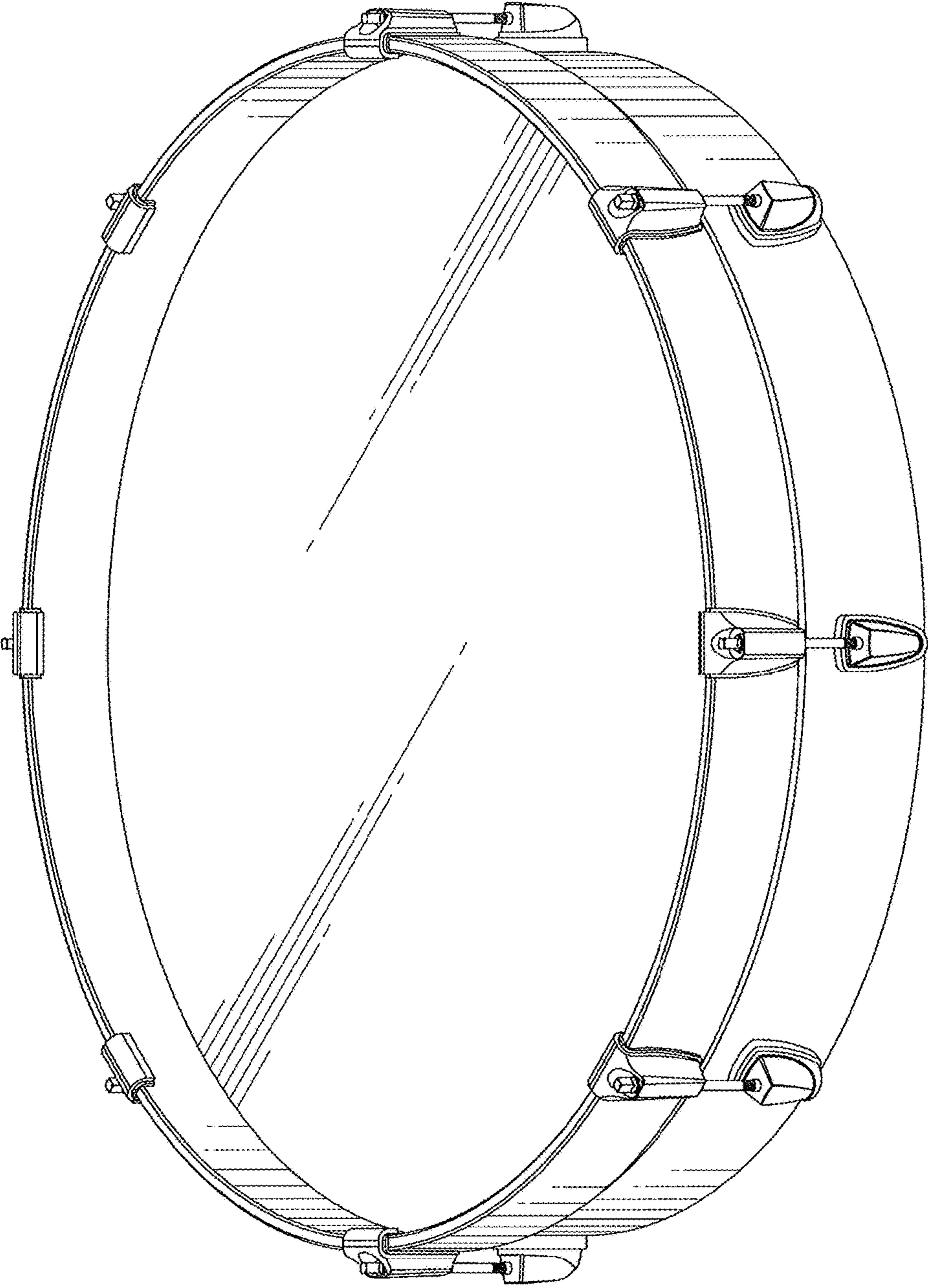


Fig. 6

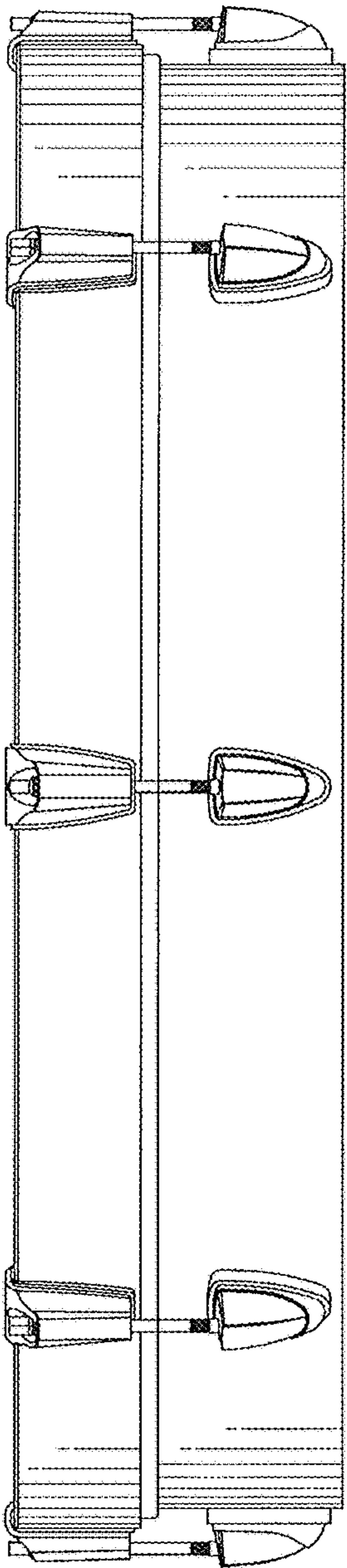


Fig. 7

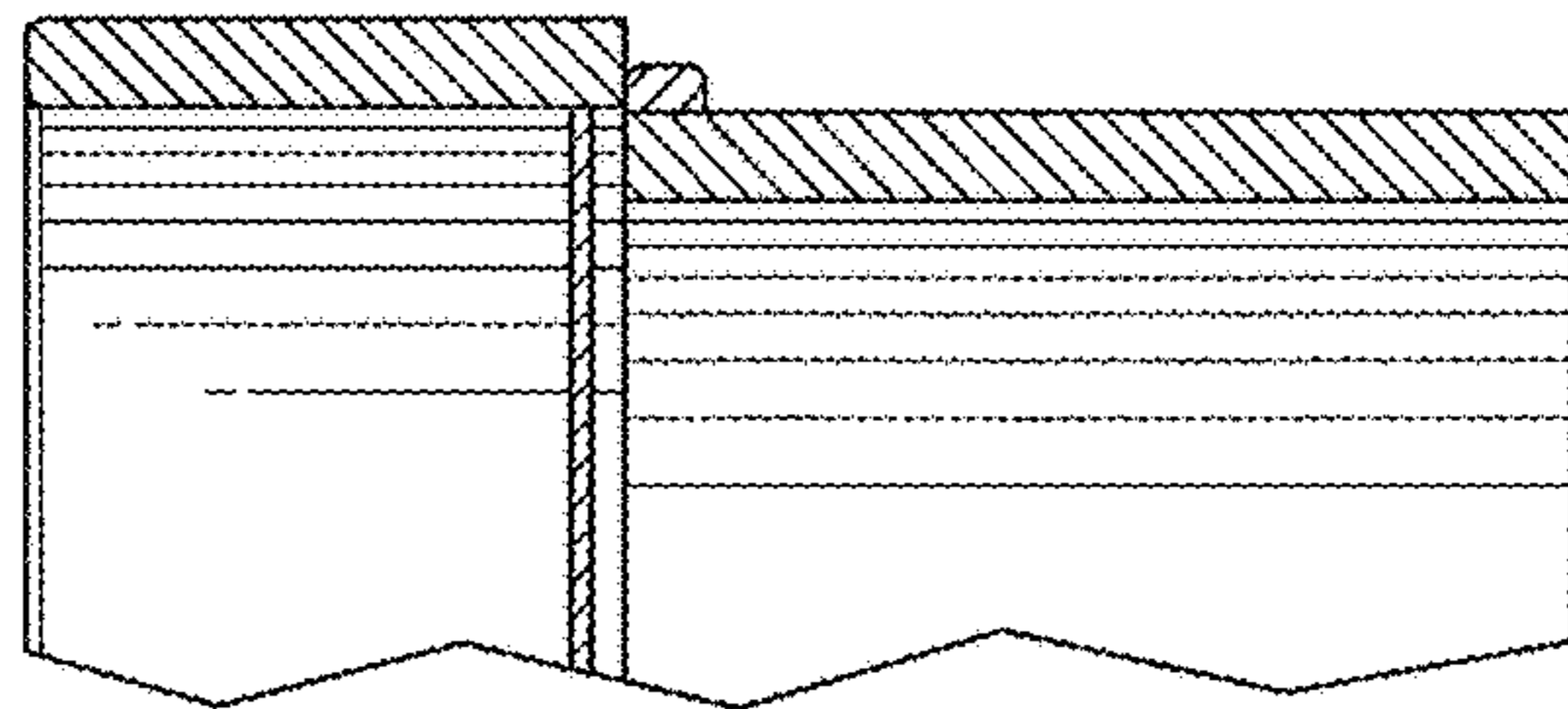
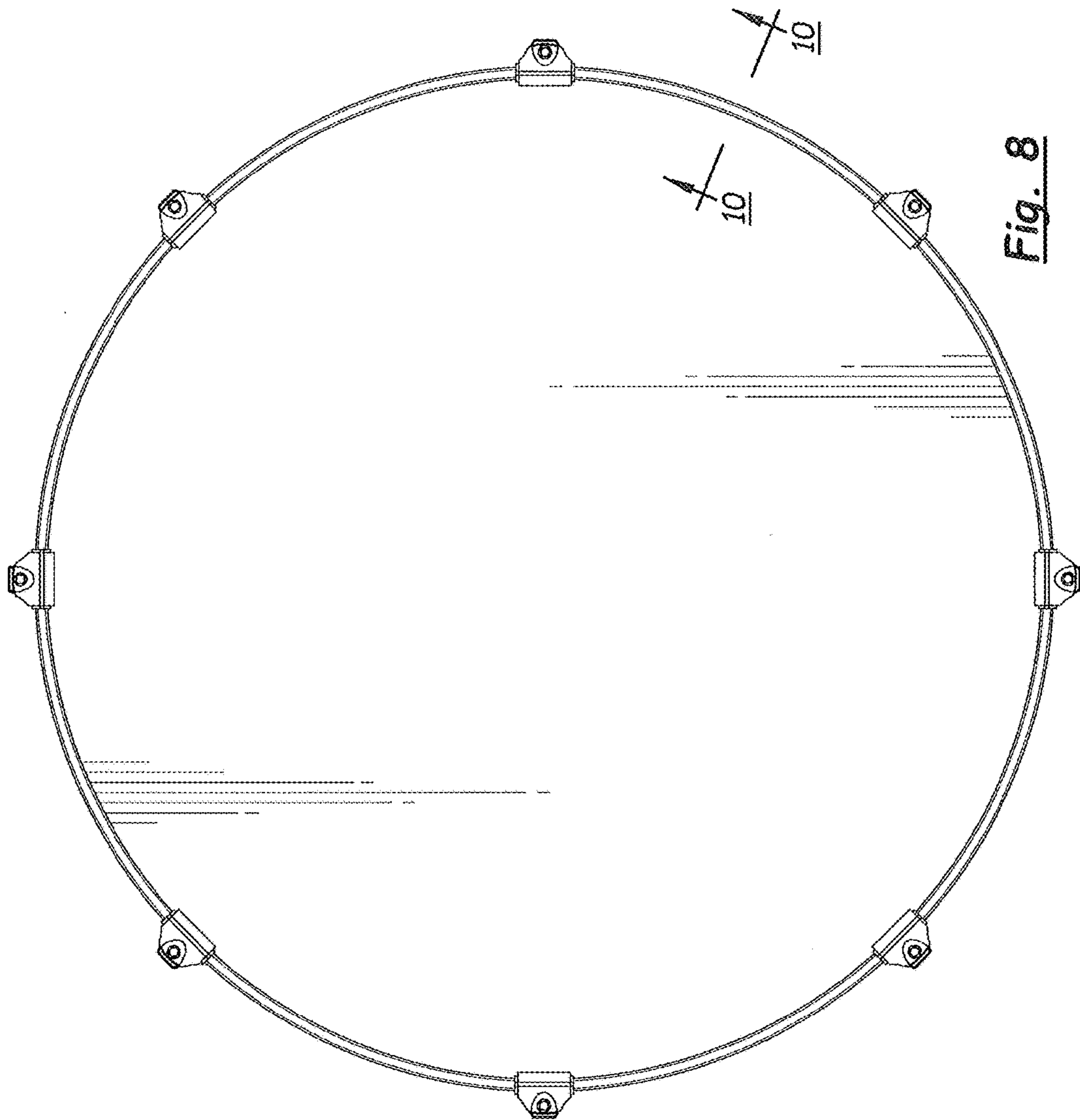


Fig. 10



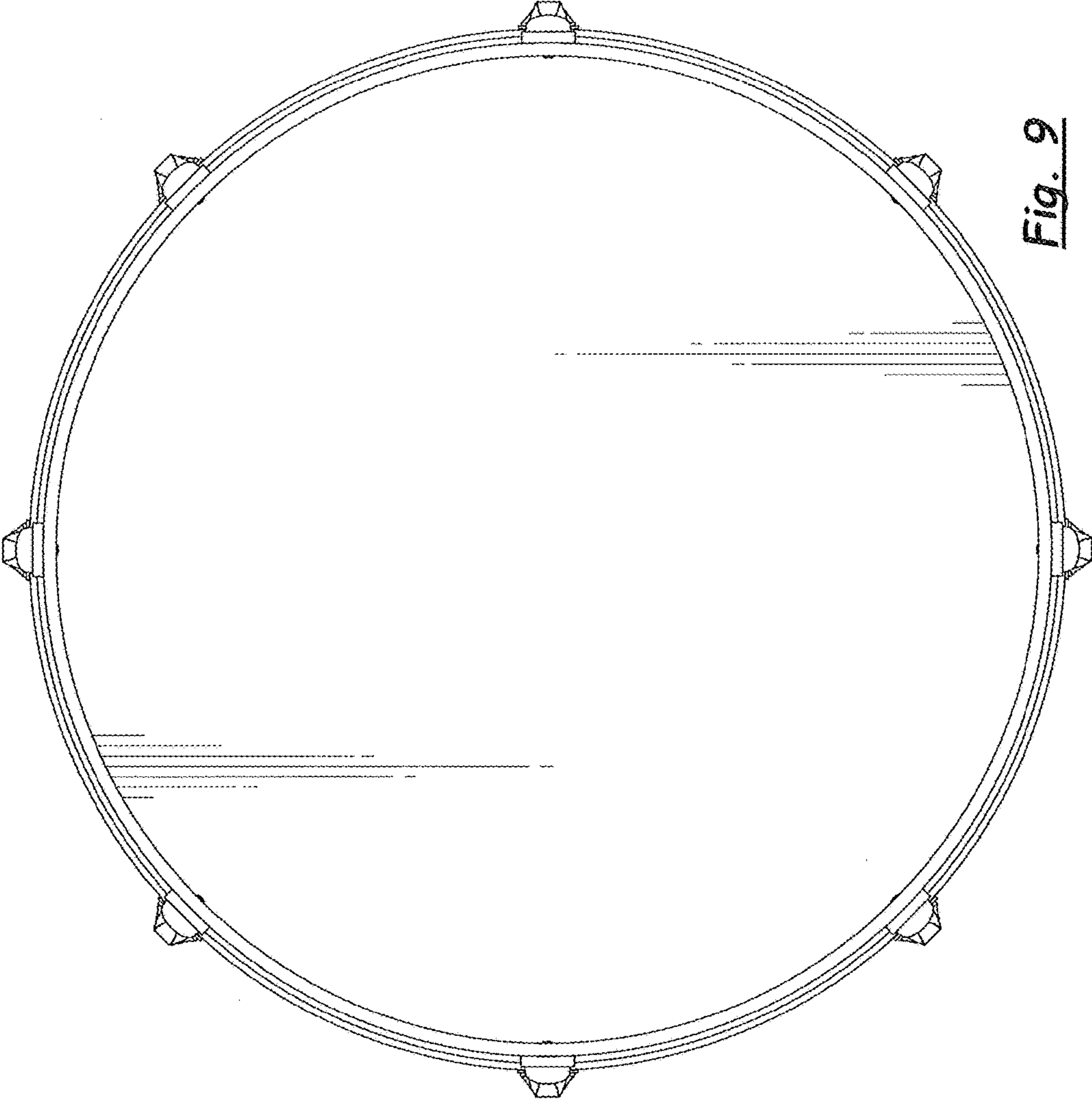


Fig. 9