



US00D835710S

(12) **United States Design Patent** (10) **Patent No.:** **US D835,710 S**  
**Wong** (45) **Date of Patent:** **\*\* Dec. 11, 2018**

- (54) **GUITAR**
- (71) Applicant: **Tin-Ho Wong**, Hong Kong (HK)
- (72) Inventor: **Tin-Ho Wong**, Hong Kong (HK)
- (73) Assignee: **VOLA GUITAR LIMITED**, Hong Kong (HK)
- (\*\*) Term: **15 Years**
- (21) Appl. No.: **29/610,057**
- (22) Filed: **Jul. 9, 2017**
- (51) **LOC (11) Cl.** ..... **17-03**
- (52) **U.S. Cl.**  
USPC ..... **D17/14**
- (58) **Field of Classification Search**  
USPC ..... D17/14-21, 99; D21/405, 406, 407  
CPC ..... G10D 1/00; G10D 1/08; G10D 1/085;  
G10D 3/00; G10D 3/06; G10D 3/02;  
G10D 3/12; G10D 3/18; G10D 3/14  
See application file for complete search history.

- D624,581 S \* 9/2010 Guinn ..... D17/14
- D637,190 S \* 5/2011 McGuire, II ..... D14/400
- D641,035 S \* 7/2011 Opatik ..... D17/14
- D662,539 S \* 6/2012 Mohajerin ..... D17/14
- D667,485 S \* 9/2012 Nixon ..... D17/14

FOREIGN PATENT DOCUMENTS

FR 2968115 A1 \* 6/2012 ..... G10D 3/06

\* cited by examiner

*Primary Examiner* — Sheryl Lane  
*Assistant Examiner* — Samantha N Wood

(57) **CLAIM**

The ornamental design for a guitar, as shown and described.

**DESCRIPTION**

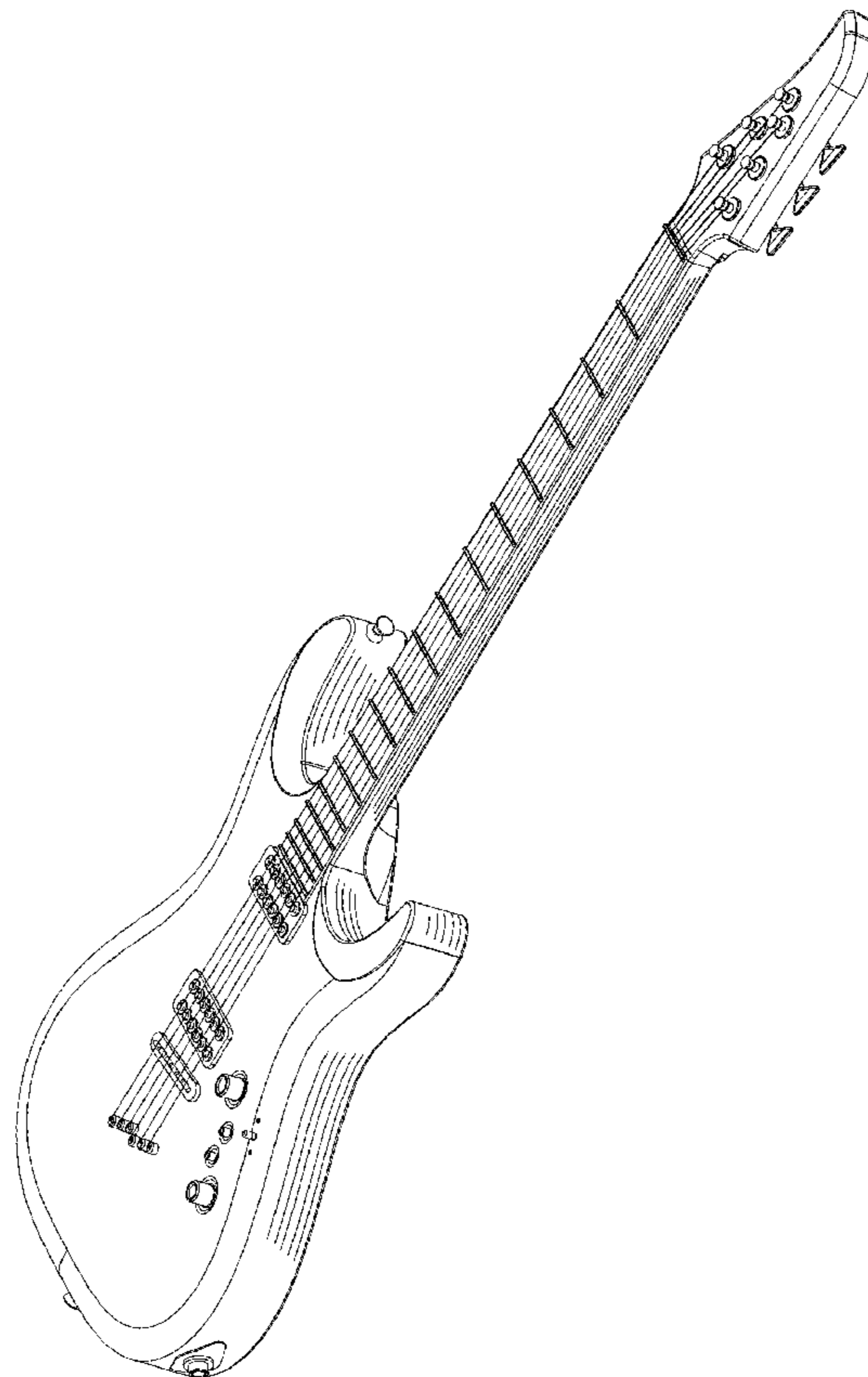
FIG. 1 is perspective view of a guitar showing my new design;  
FIG. 2 is a front elevational view thereof;  
FIG. 3 is a top plan view thereof;  
FIG. 4 is a left side elevational view thereof;  
FIG. 5 is a rear elevational view thereof;  
FIG. 6 is a right side elevational view thereof; and,  
FIG. 7 is a bottom plan view thereof.  
The broken lines are included for the purpose of illustrating portions of the guitar and form no part of the claimed design.

(56) **References Cited**

U.S. PATENT DOCUMENTS

- D323,669 S \* 2/1992 Pagelli ..... D17/14
- D561,238 S \* 2/2008 Butler ..... D17/14

**1 Claim, 7 Drawing Sheets**



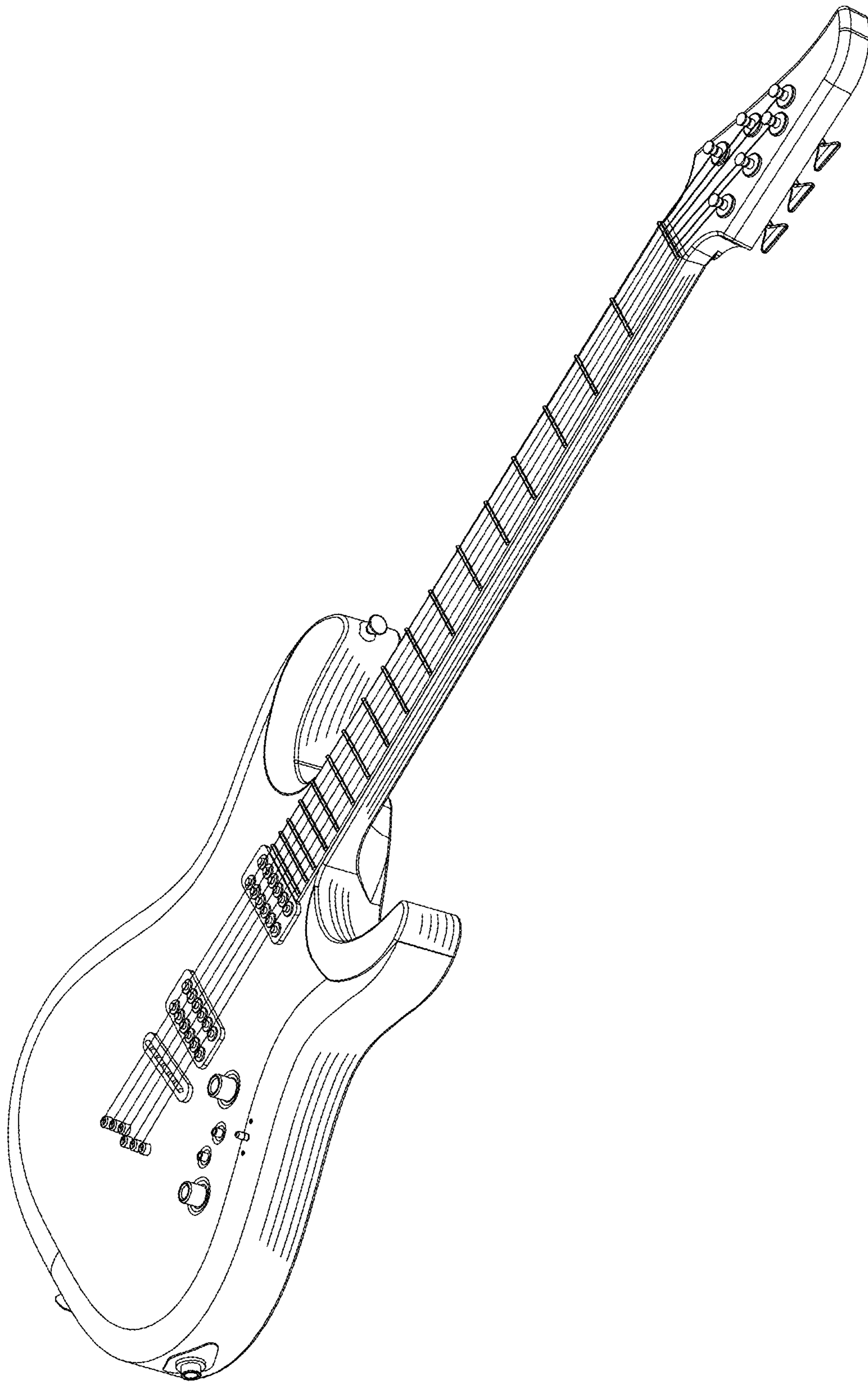


FIG. 1

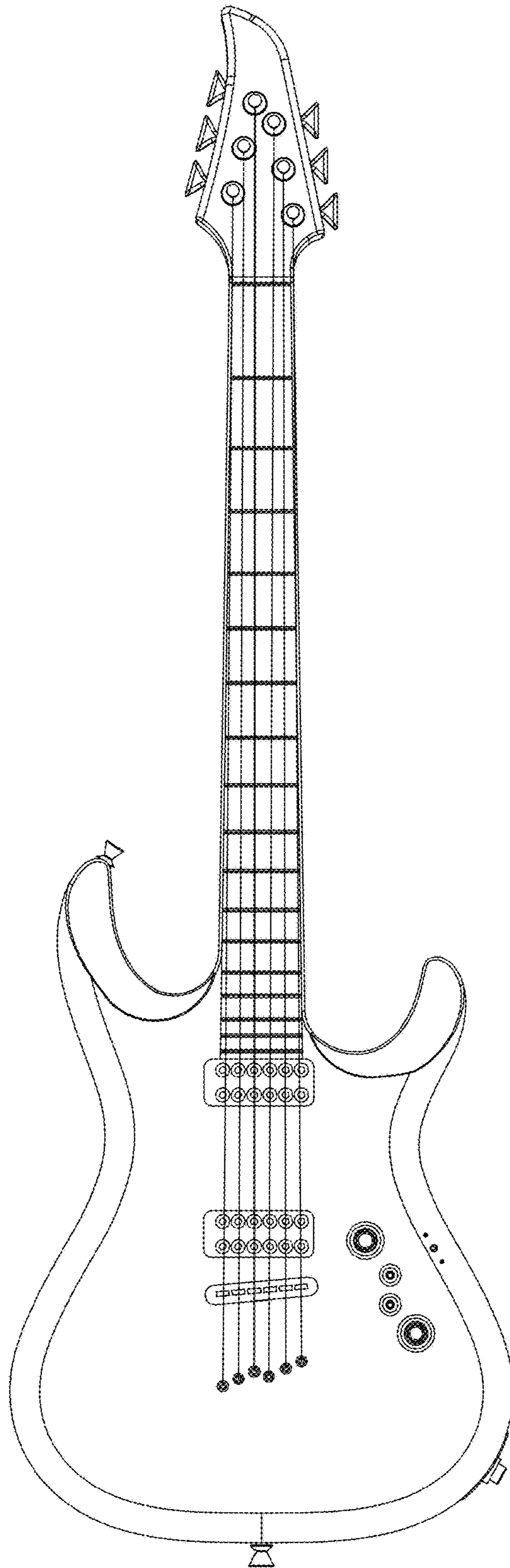


FIG. 2

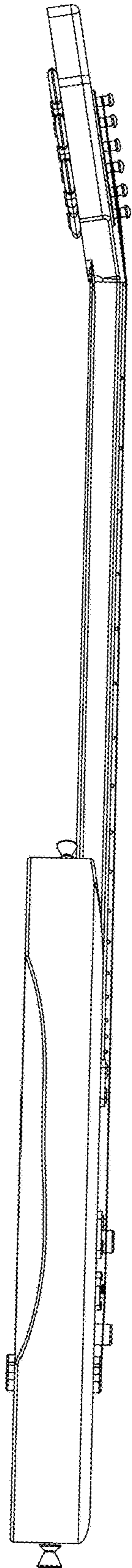


FIG. 3

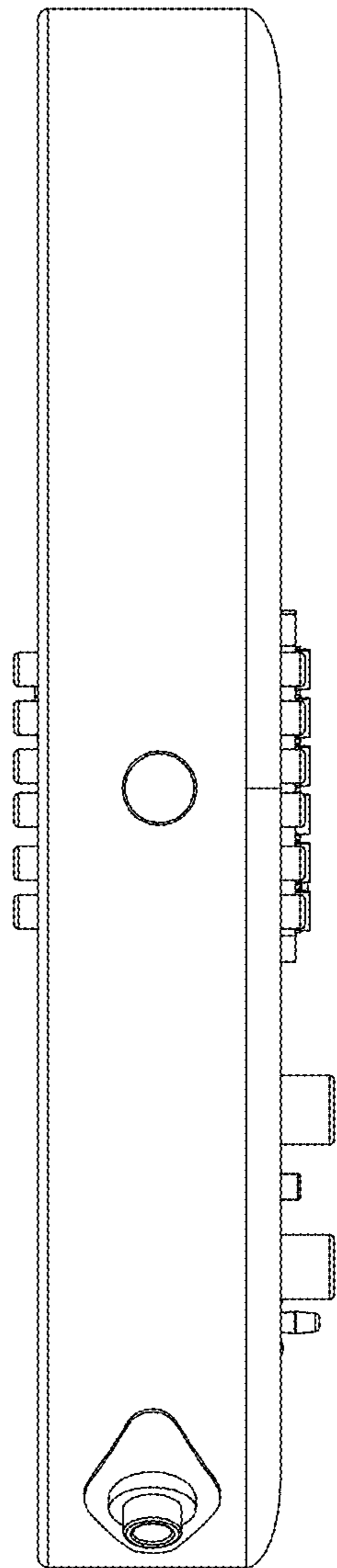


FIG. 4

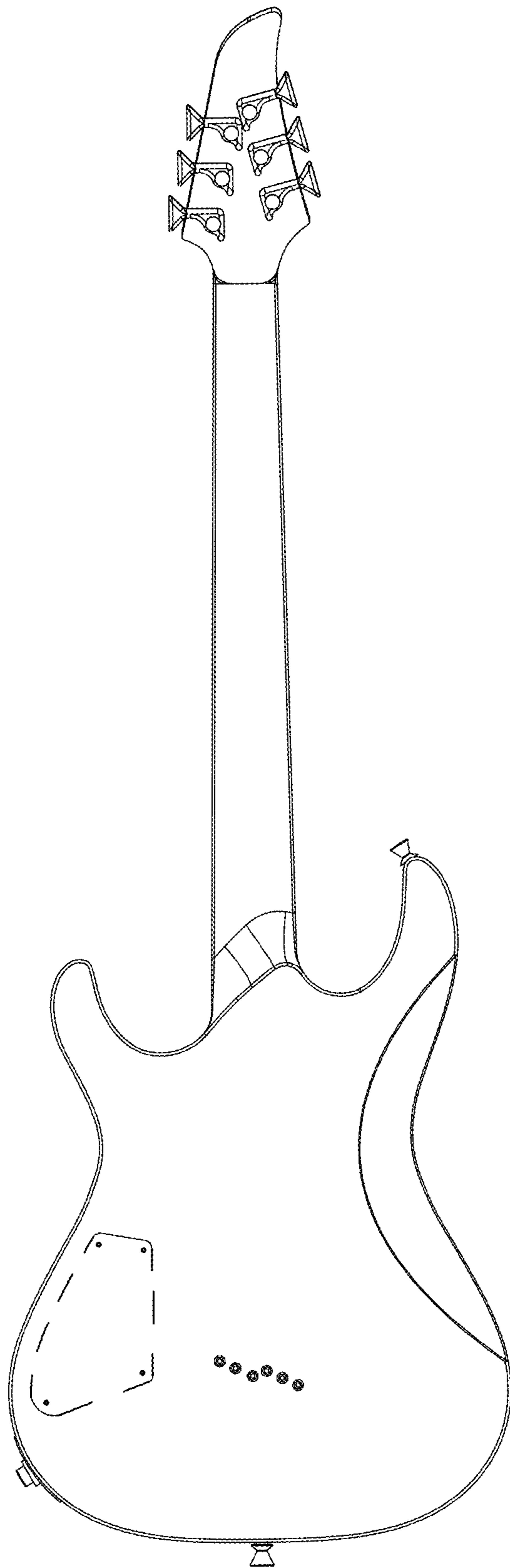


FIG. 5

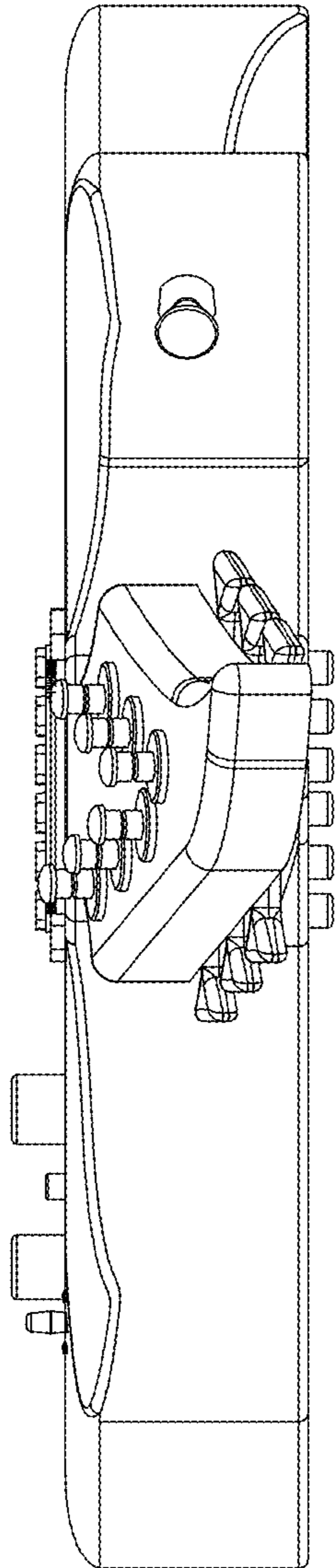


FIG. 6

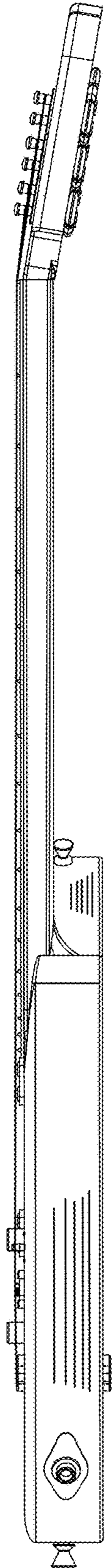


FIG. 7