



US00D835707S

(12) **United States Design Patent**  
**Hovanky et al.**

(10) **Patent No.:** **US D835,707 S**

(45) **Date of Patent:** **\*\* Dec. 11, 2018**

(54) **3D GLASSES**

(71) Applicant: **Dolby Laboratories Licensing Corporation**, San Francisco, CA (US)

(72) Inventors: **Thao D. Hovanky**, San Francisco, CA (US); **Wilson Heaton Allen**, Mill Valley, CA (US)

(73) Assignee: **DOLBY LABORATORIES LICENSING CORPORATION**, San Francisco, CA (US)

(\*\*) Term: **15 Years**

(21) Appl. No.: **29/600,483**

(22) Filed: **Apr. 12, 2017**

(51) **LOC (11) Cl.** ..... **16-06**

(52) **U.S. Cl.**  
USPC ..... **D16/326**

(58) **Field of Classification Search**  
USPC ..... D16/100-101, 300-329, 330, 332-342;  
D29/107, 110  
CPC ... G02C 1/02; G02C 1/04; G02C 5/12; G02C 11/10; G02C 7/06; G02C 3/003; G02C 7/088; G02C 5/001; G02C 7/16; G02C 5/02; G02C 5/122; G02B 2027/0178; H04N 13/332

See application file for complete search history.

(56) **References Cited**

**U.S. PATENT DOCUMENTS**

D461,486 S \* 8/2002 Katagiri ..... D16/300  
D548,268 S \* 8/2007 Yee ..... D16/320  
D603,445 S \* 11/2009 Carlow ..... D16/300

D639,332 S \* 6/2011 Basler ..... D16/300  
D645,498 S \* 9/2011 Seo ..... D16/309  
D645,500 S \* 9/2011 Seo ..... D16/309  
D647,948 S \* 11/2011 Arnaud ..... D16/309  
D658,701 S \* 5/2012 Inuma ..... D16/309  
D667,482 S \* 9/2012 Healy ..... D16/309  
8,297,750 B2 \* 10/2012 Wang ..... H04N 13/332  
351/133  
D695,333 S \* 12/2013 Farnam ..... D16/309  
RE45,394 E \* 3/2015 Carlow ..... D16/306  
9,232,274 B2 \* 1/2016 Meuninck ..... H04N 21/4334  
9,766,479 B2 \* 9/2017 Healy ..... G02B 27/0172  
D802,048 S \* 11/2017 Lundberg ..... D16/326  
D810,182 S \* 2/2018 Porter ..... D16/309

\* cited by examiner

*Primary Examiner* — Cathron C Brooks

*Assistant Examiner* — Sharon S Oum

(74) *Attorney, Agent, or Firm* — McAndrews, Held & Malloy, Ltd.

(57) **CLAIM**

The ornamental design for the 3D glasses, as shown and described.

**DESCRIPTION**

FIG. 1 is a front perspective view of 3D glasses showing our new design;

FIG. 2 is a front view thereof;

FIG. 3 is a rear view thereof;

FIG. 4 is a right side view thereof;

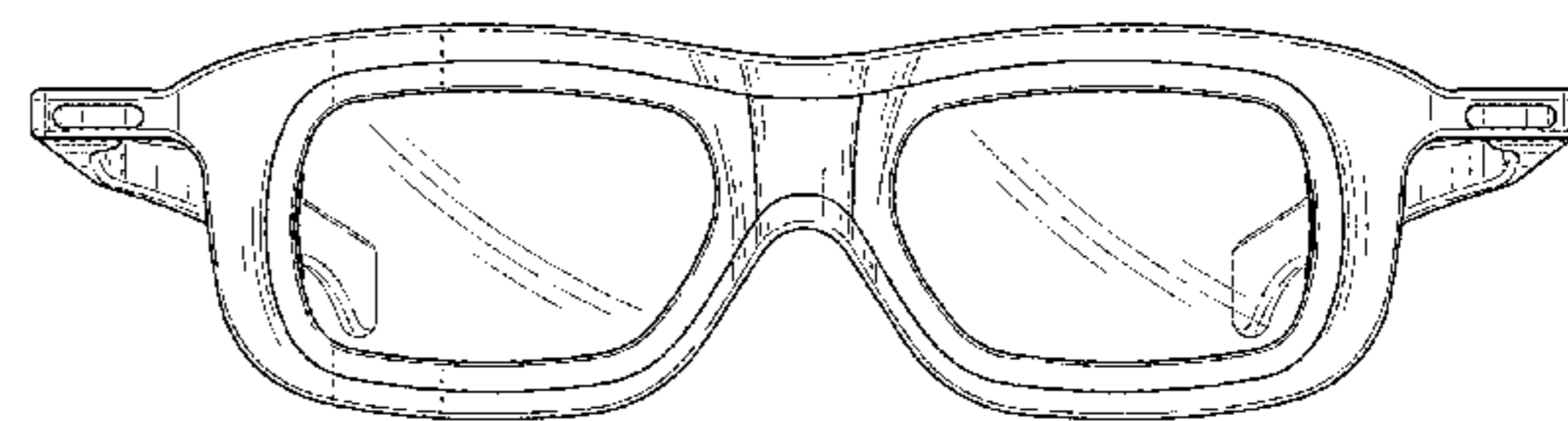
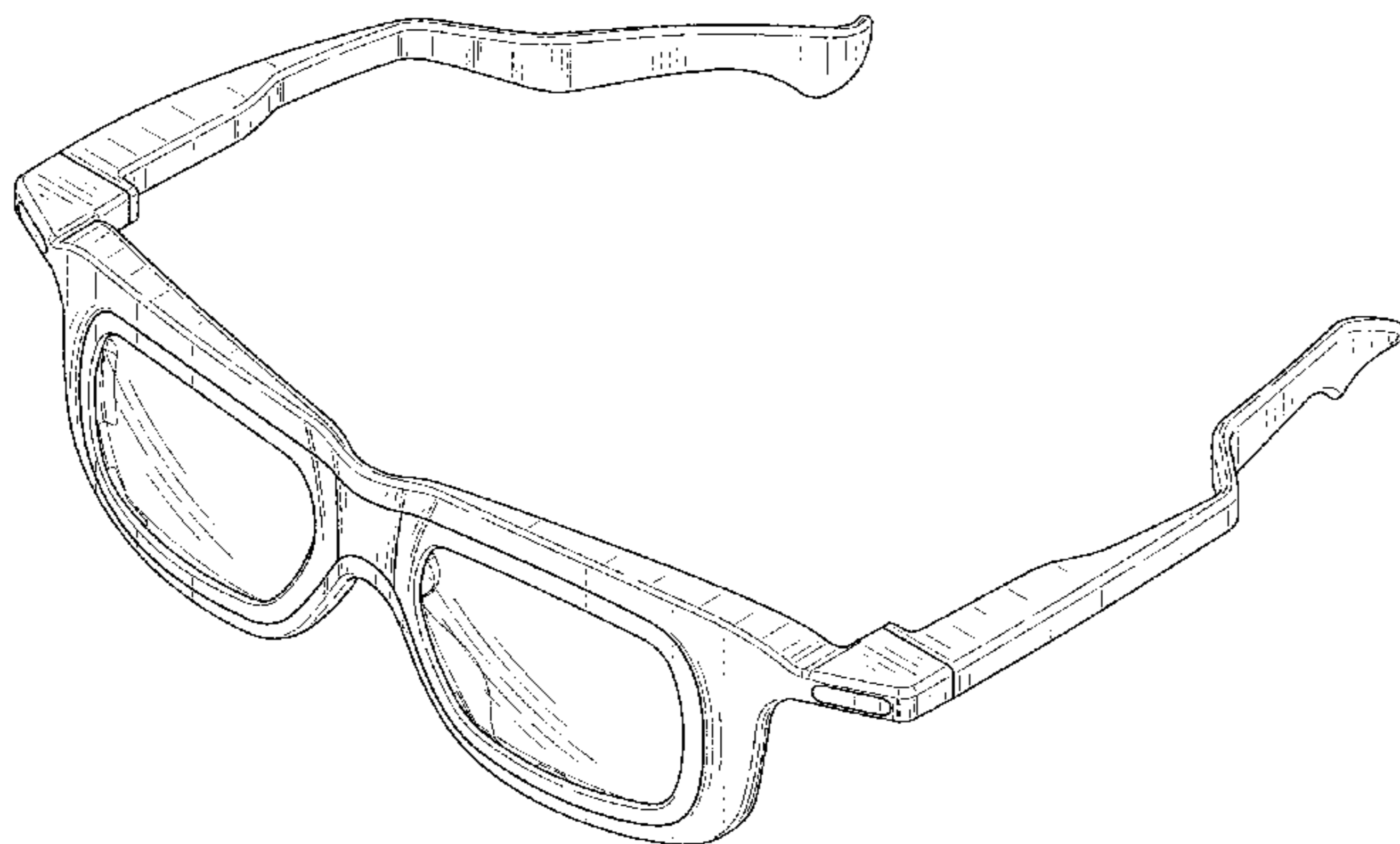
FIG. 5 is a left side view thereof;

FIG. 6 is a top view thereof;

FIG. 7 is a bottom view thereof; and,

FIG. 8 is a rear perspective view thereof.

**1 Claim, 5 Drawing Sheets**



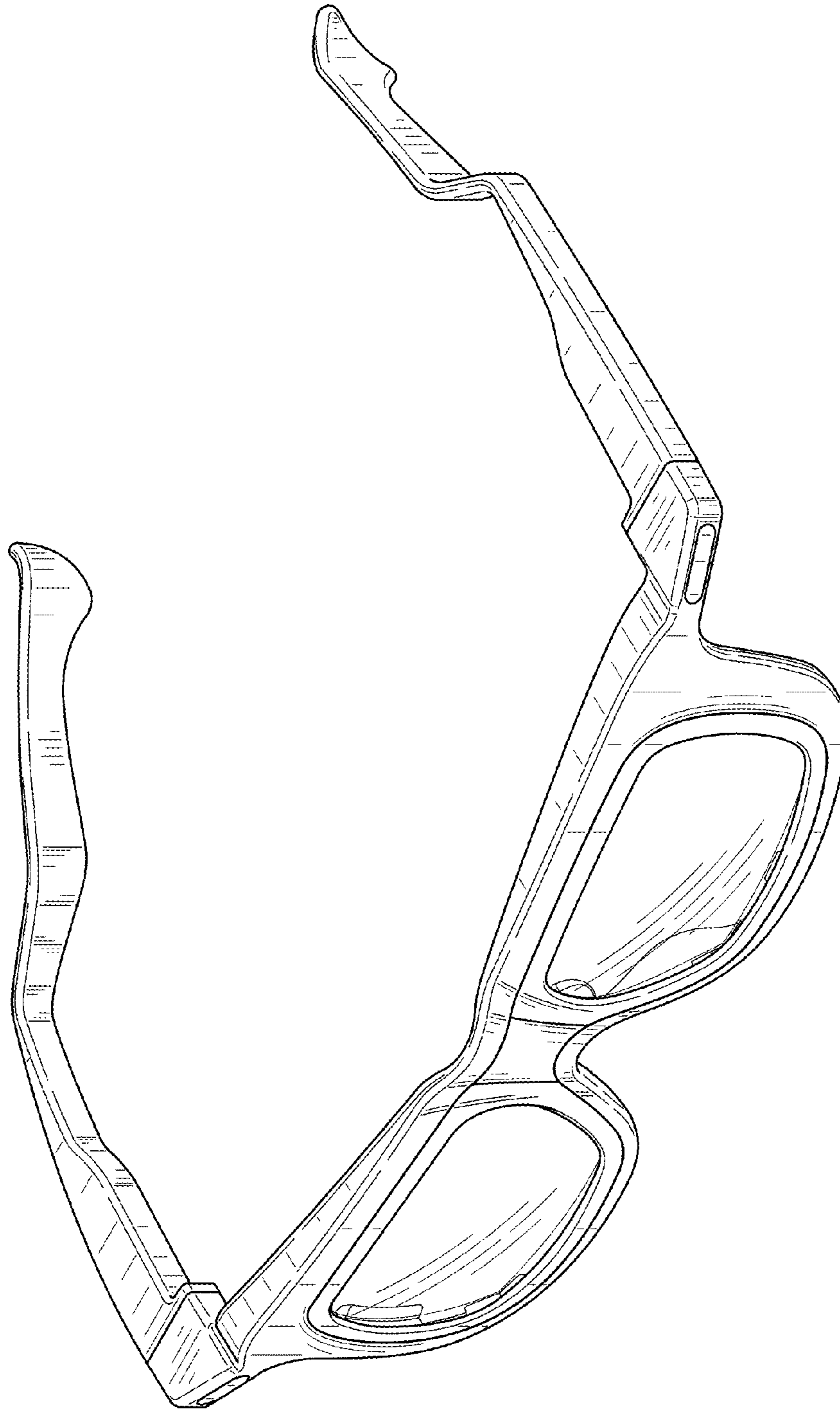


FIG. 1

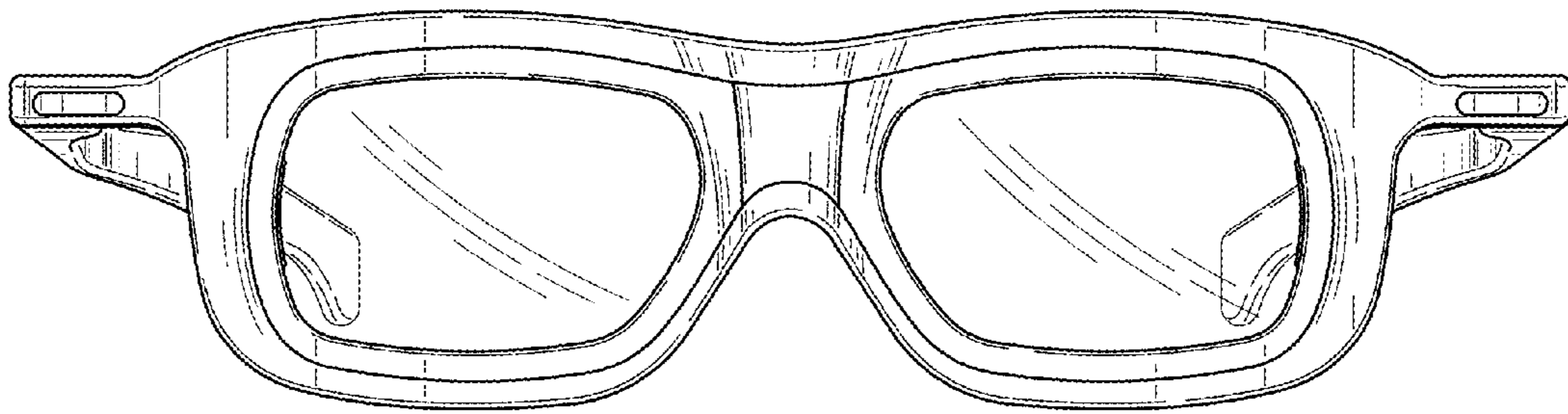


FIG. 2

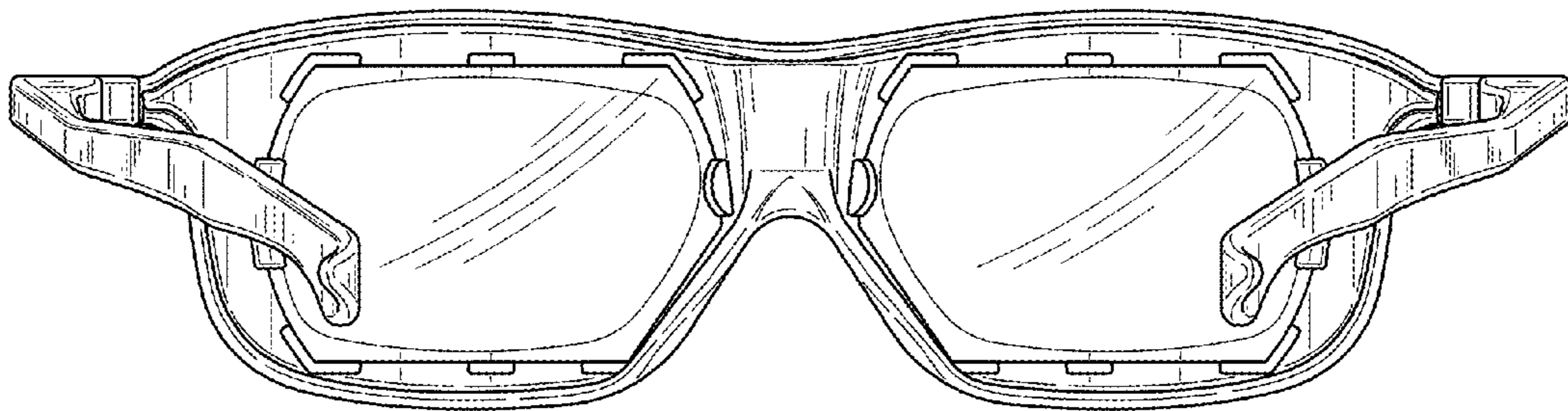


FIG. 3

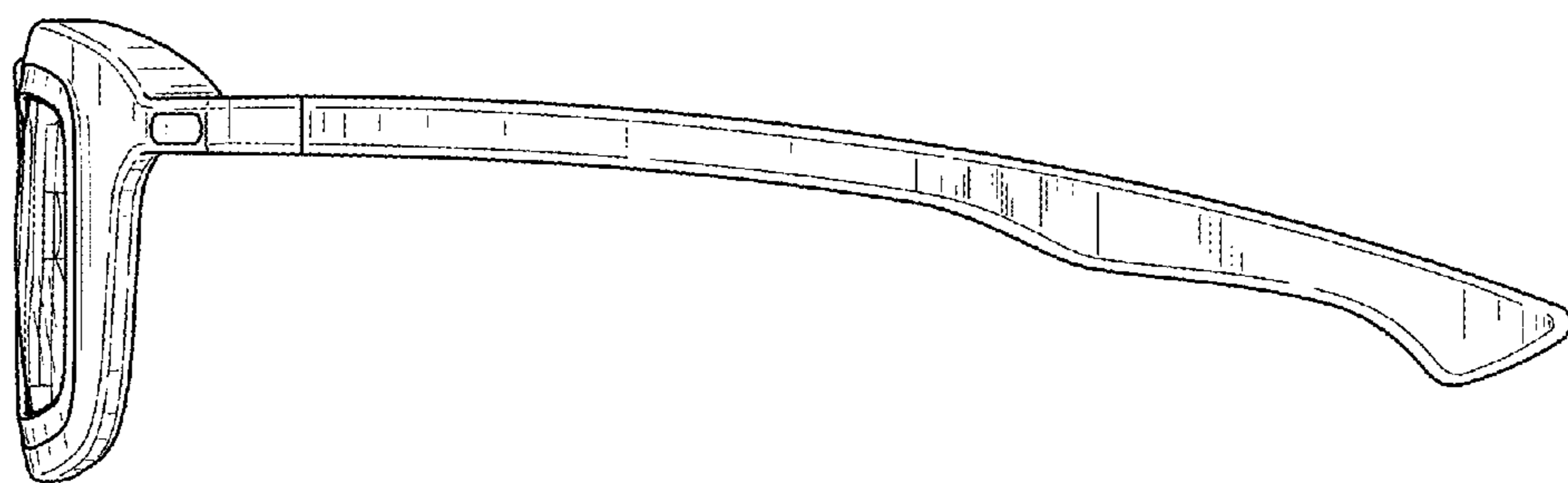


FIG. 4

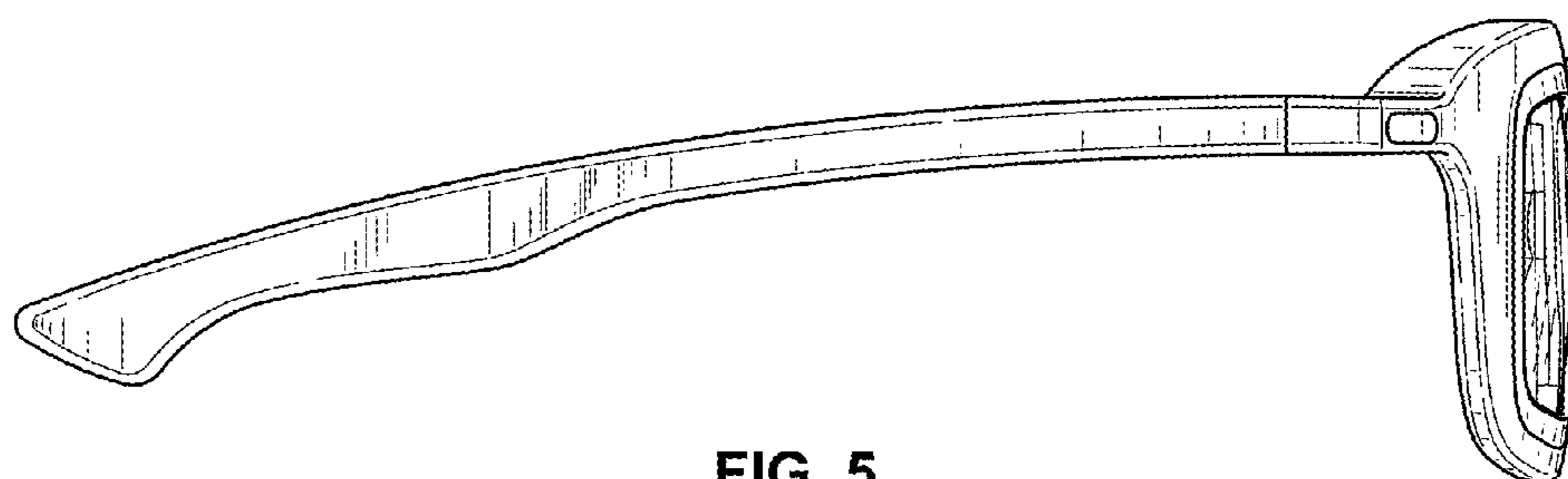


FIG. 5

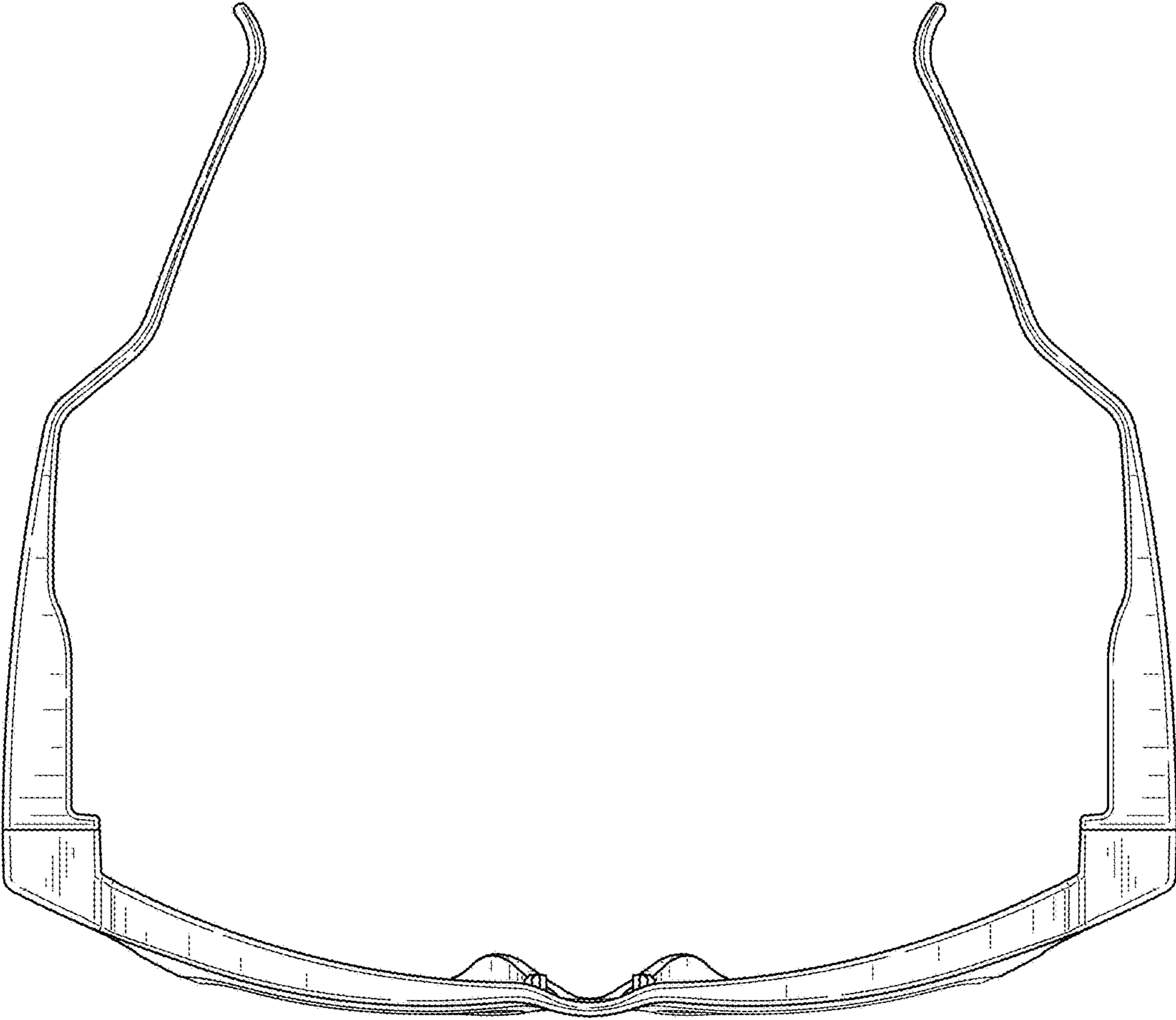


FIG. 6

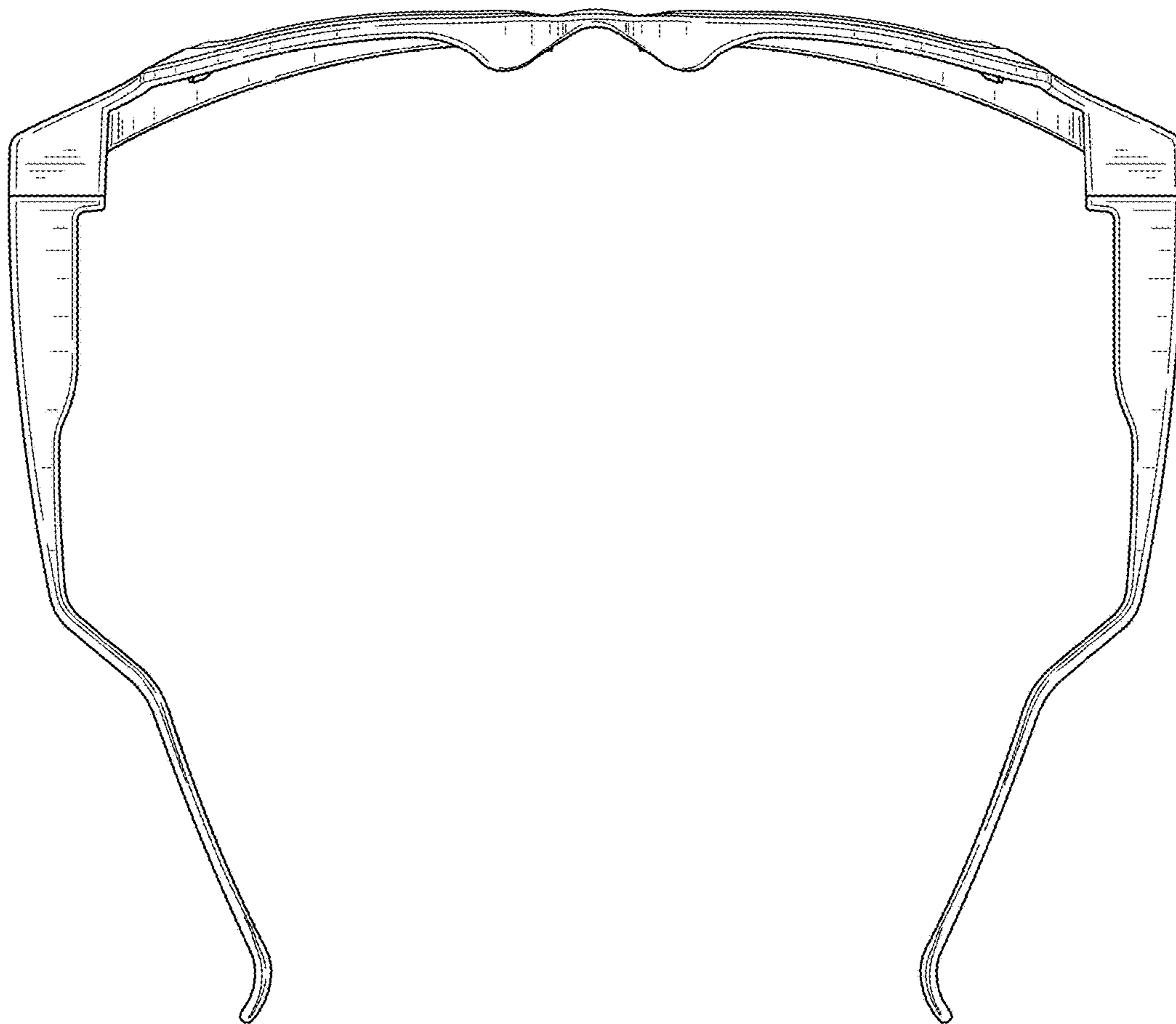


FIG. 7

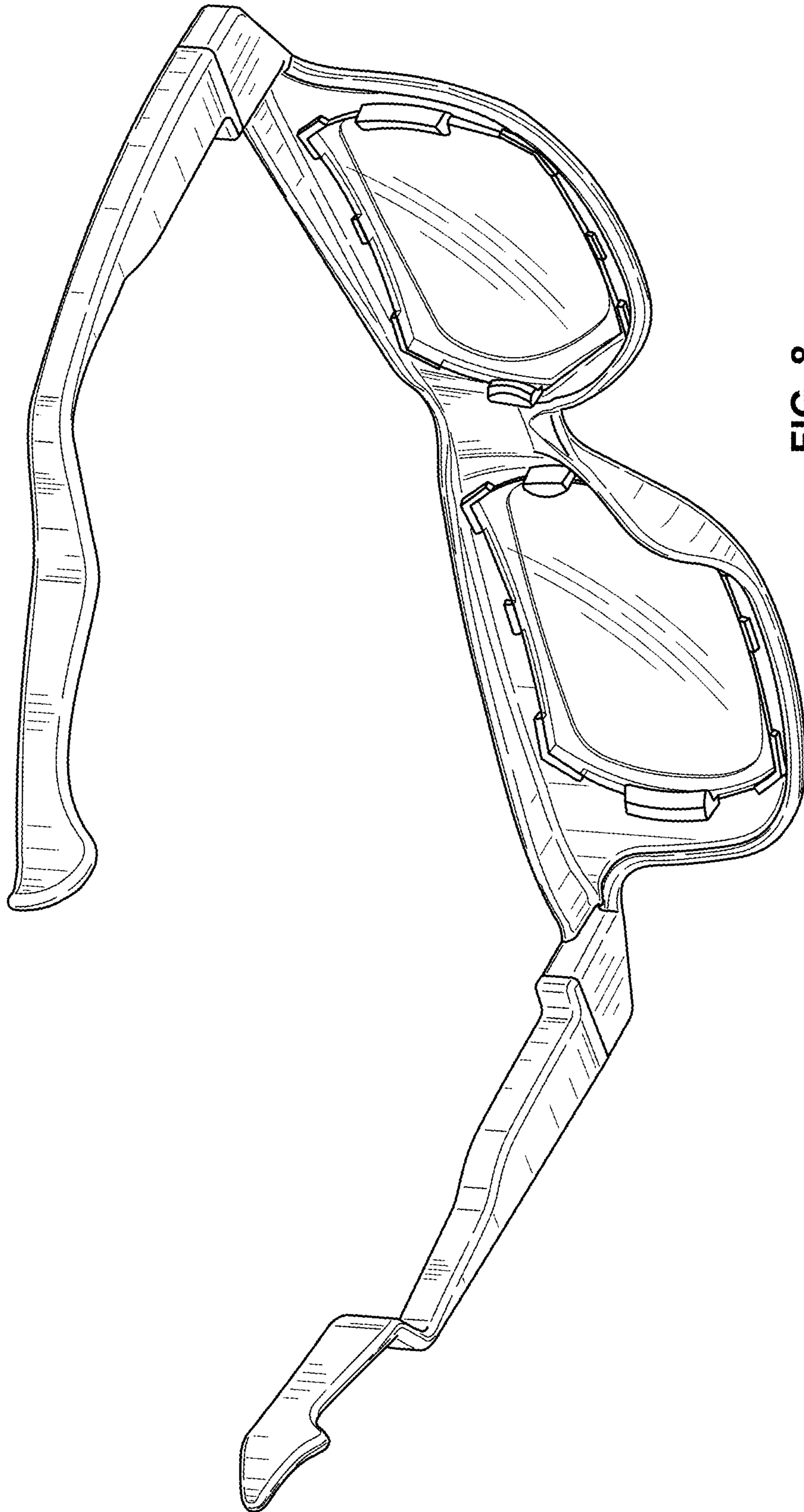


FIG. 8