



US00D835705S

(12) **United States Design Patent**
Chun

(10) **Patent No.:** **US D835,705 S**

(45) **Date of Patent:** **** Dec. 11, 2018**

(54) **TRIPOD WITH WIRELESS PHONE CHARGER**

(71) Applicant: **James Chun**, Vist, CA (US)

(72) Inventor: **James Chun**, Vist, CA (US)

(**) Term: **15 Years**

(21) Appl. No.: **29/630,521**

(22) Filed: **Dec. 21, 2017**

(51) **LOC (11) Cl.** **16-05**

(52) **U.S. Cl.**
USPC **D16/244; D14/253**

(58) **Field of Classification Search**
USPC D16/219, 237-250; D14/224, 229, 238,
D14/251, 253, 447, 451, 457
CPC G03B 17/56; G03B 17/561-17/568; A45F
5/00; A45F 5/10
See application file for complete search history.

(56) **References Cited**

U.S. PATENT DOCUMENTS

3,300,165	A *	1/1967	O’Kane	F16M 11/16 248/168
D357,493	S *	4/1995	Yotsuya	D16/244
D505,442	S *	5/2005	Murray	D16/244
D508,938	S *	8/2005	Murray	D16/244
D739,456	S *	9/2015	Poli	D16/244
9,298,066	B1 *	3/2016	Fan	G03B 17/561
D778,975	S *	2/2017	Minn	D16/242
D794,699	S *	8/2017	Bin-Nun	D16/244
2012/0269503	A1 *	10/2012	Hale	F16M 11/14 396/428

OTHER PUBLICATIONS

Tripod Phone Mount by Square Jellyfish. [online] Retrieved Sep. 24, 2018 from URL: <https://www.thegrommet.com/square-jellyfish-tripod-phone-mount-bundle>.*

(Continued)

Primary Examiner — Vy N Koenig
(74) *Attorney, Agent, or Firm* — Dean Craine

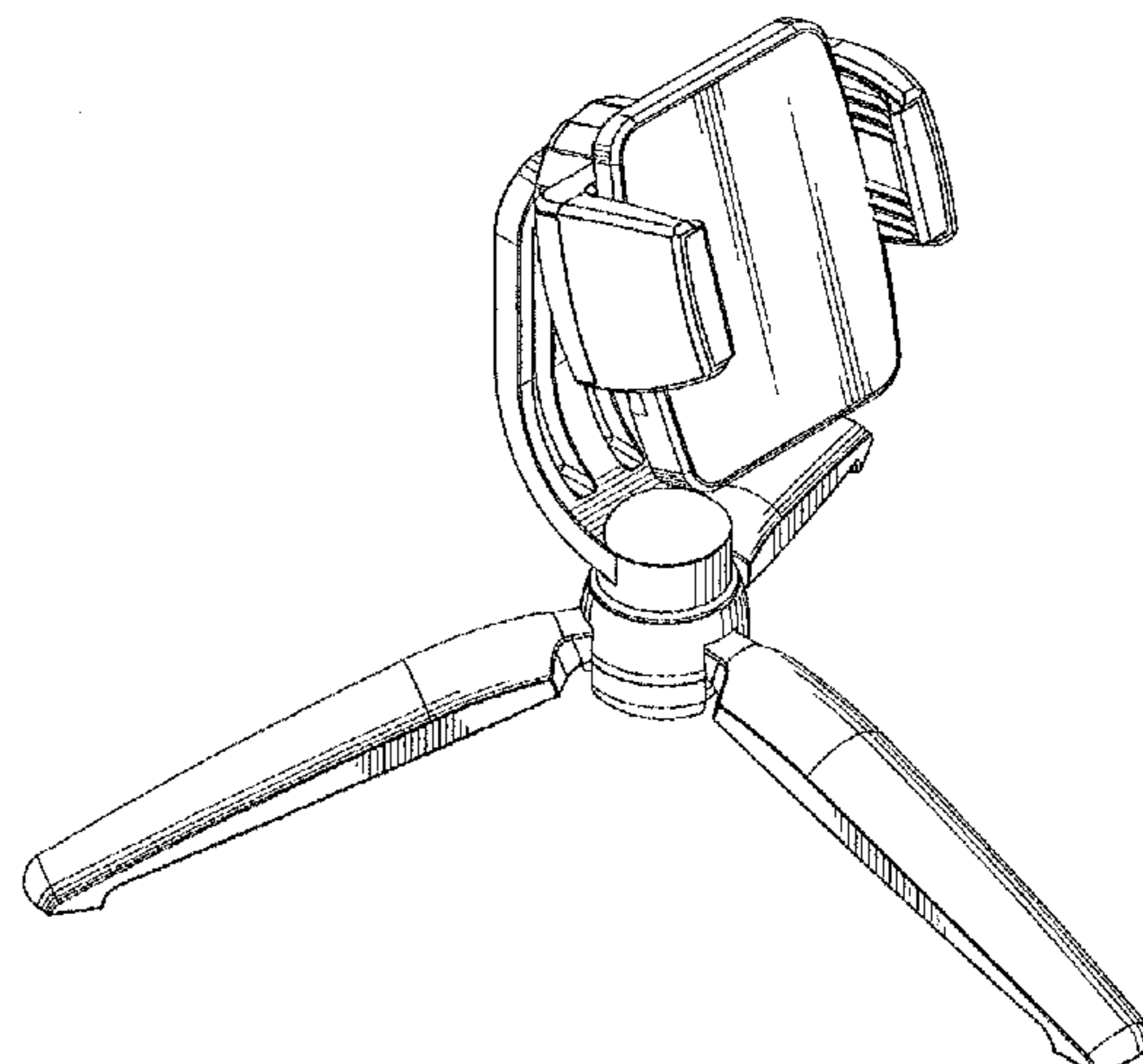
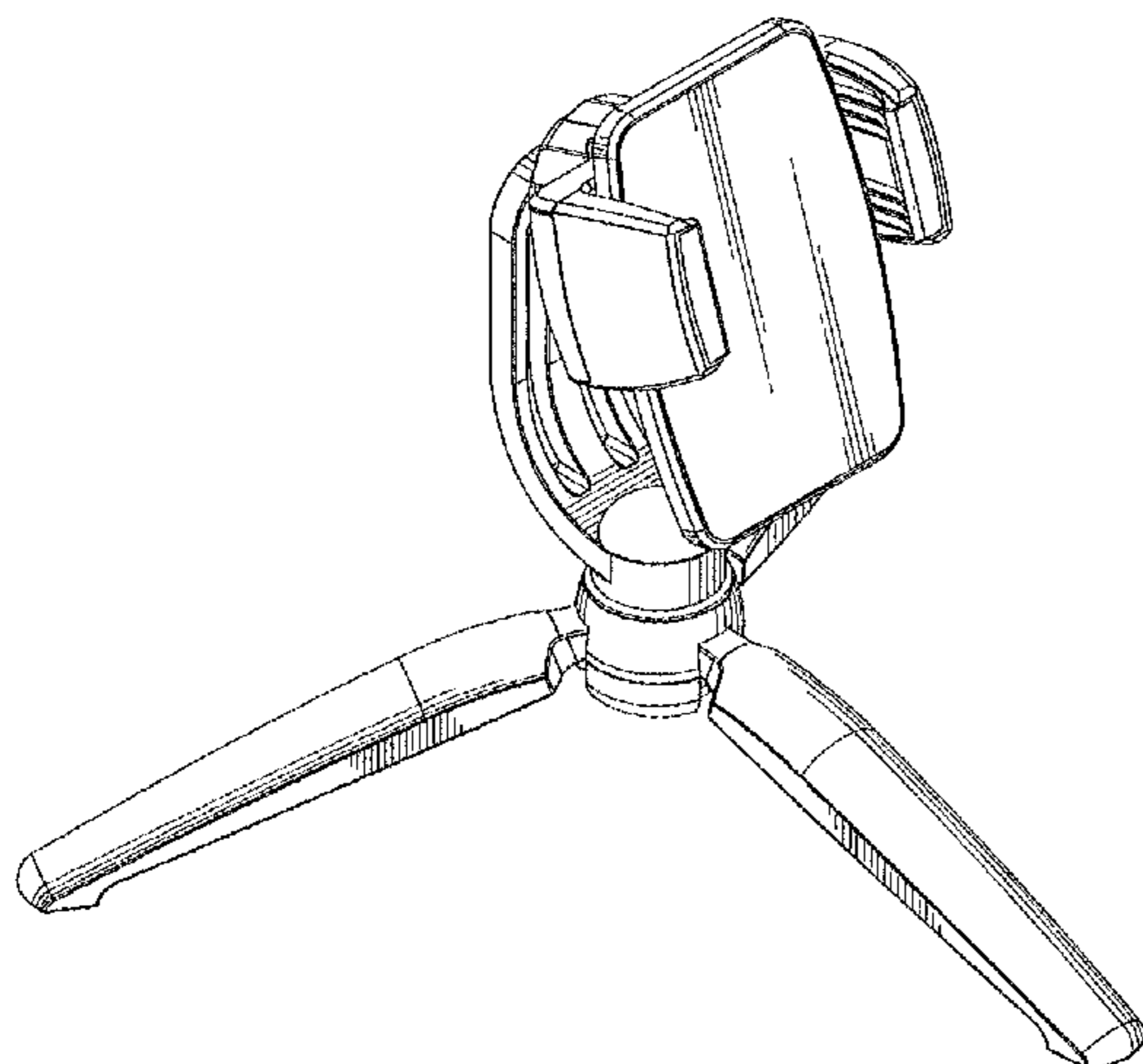
(57) **CLAIM**

The ornamental design for a tripod with wireless phone charger, as shown.

DESCRIPTION

FIG. 1 is a front perspective view of a tripod with wireless phone charger showing my new design.
 FIG. 2 is a top plan view of the invention shown in FIG. 1.
 FIG. 3 is a left side elevational view of the invention shown in FIG. 1.
 FIG. 4 is a bottom plan view of the invention shown in FIG. 1.
 FIG. 5 is a front elevational view of the invention shown in FIG. 1.
 FIG. 6 is a rear elevational view of the invention shown in FIG. 1.
 FIG. 7 is a right side elevational view of the invention shown in FIG. 1.
 FIG. 8 is a front perspective view of a second embodiment of a tripod with wireless phone charger showing my new design.
 FIG. 9 is a top plan view of the invention shown in FIG. 8.
 FIG. 10 is a left side elevational view of the invention shown in FIG. 8.
 FIG. 11 is a bottom plan view of the invention shown in FIG. 8.
 FIG. 12 is a front elevational view of the invention shown in FIG. 8.
 FIG. 13 is a rear elevational view of the invention shown in FIG. 8; and,
 FIG. 14 is a right side elevational view of the invention shown in FIG. 8.

1 Claim, 8 Drawing Sheets



(56)

References Cited

OTHER PUBLICATIONS

3 in 1 Mini Phone Tripods, Table Top Stand with 360 Rotating Universal Adapter Smartphone mount by Bootaa , tabletop tripod for iPhone, Regular Android Phone, Camera. [online] Retrieved Sep. 24, 2018 from URL: <https://www.amazon.com/Tripods-Rotating-Universal-Smartphone-tabletop/dp/B0796SY448>.*

* cited by examiner

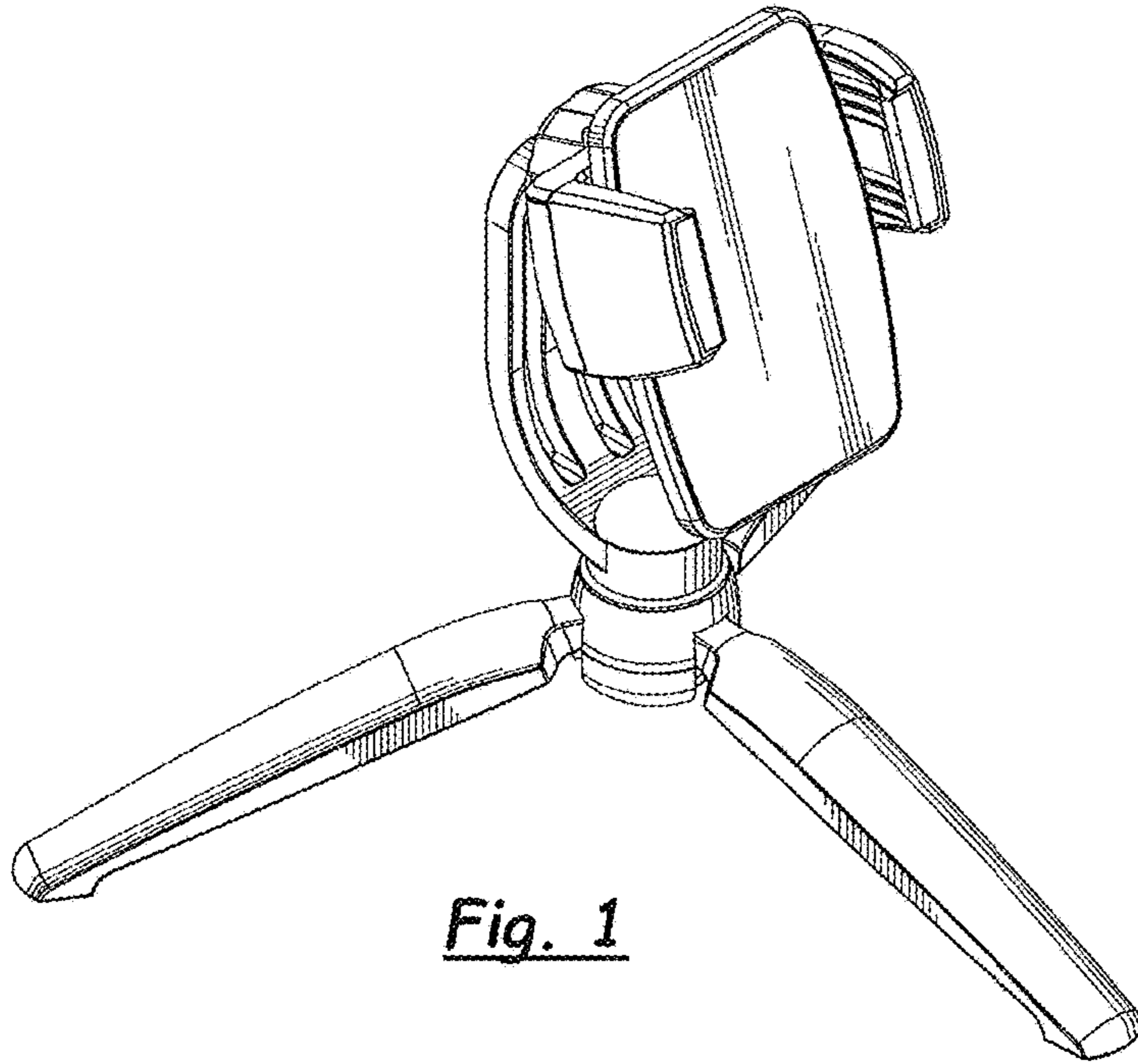


Fig. 1

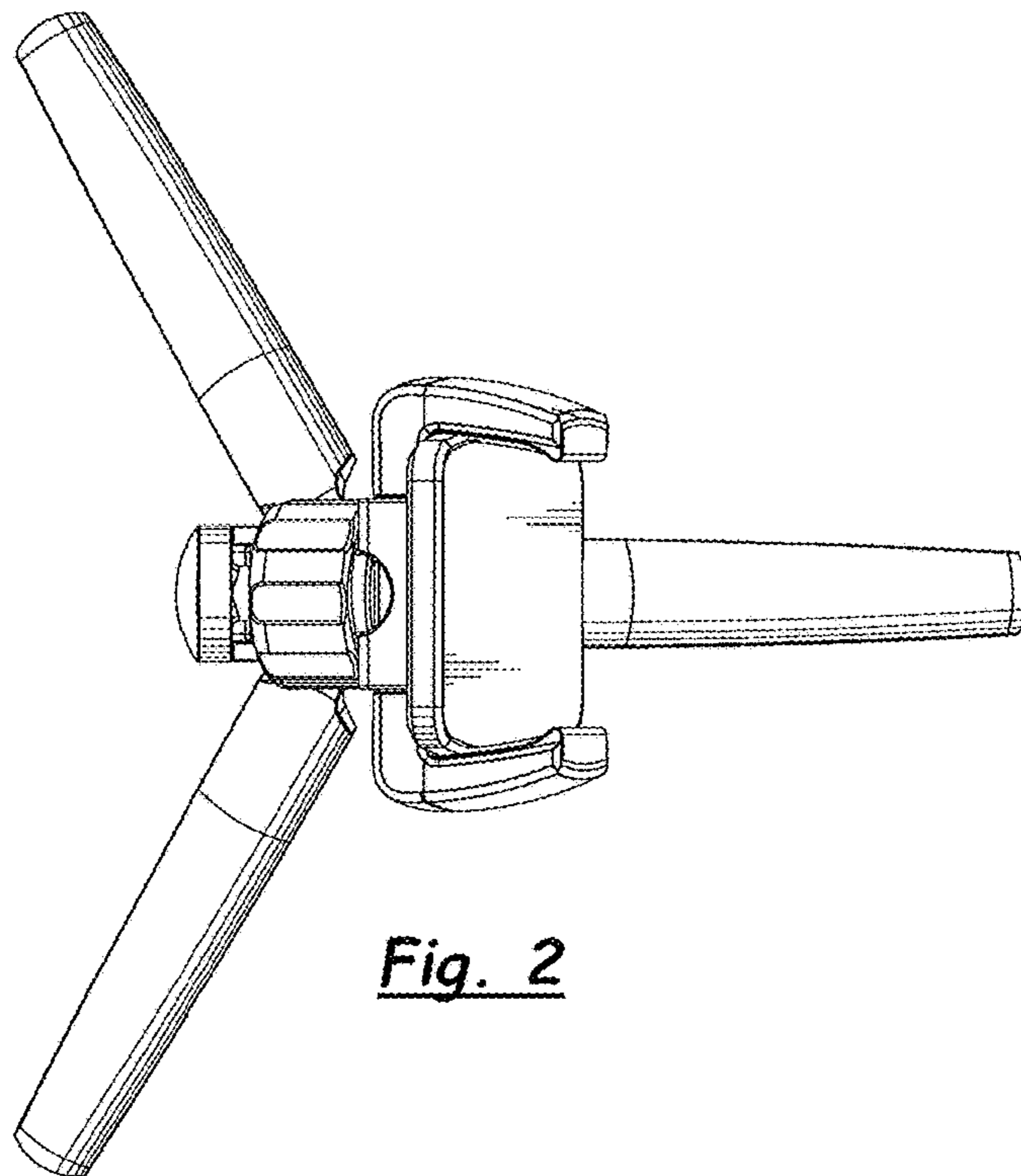


Fig. 2

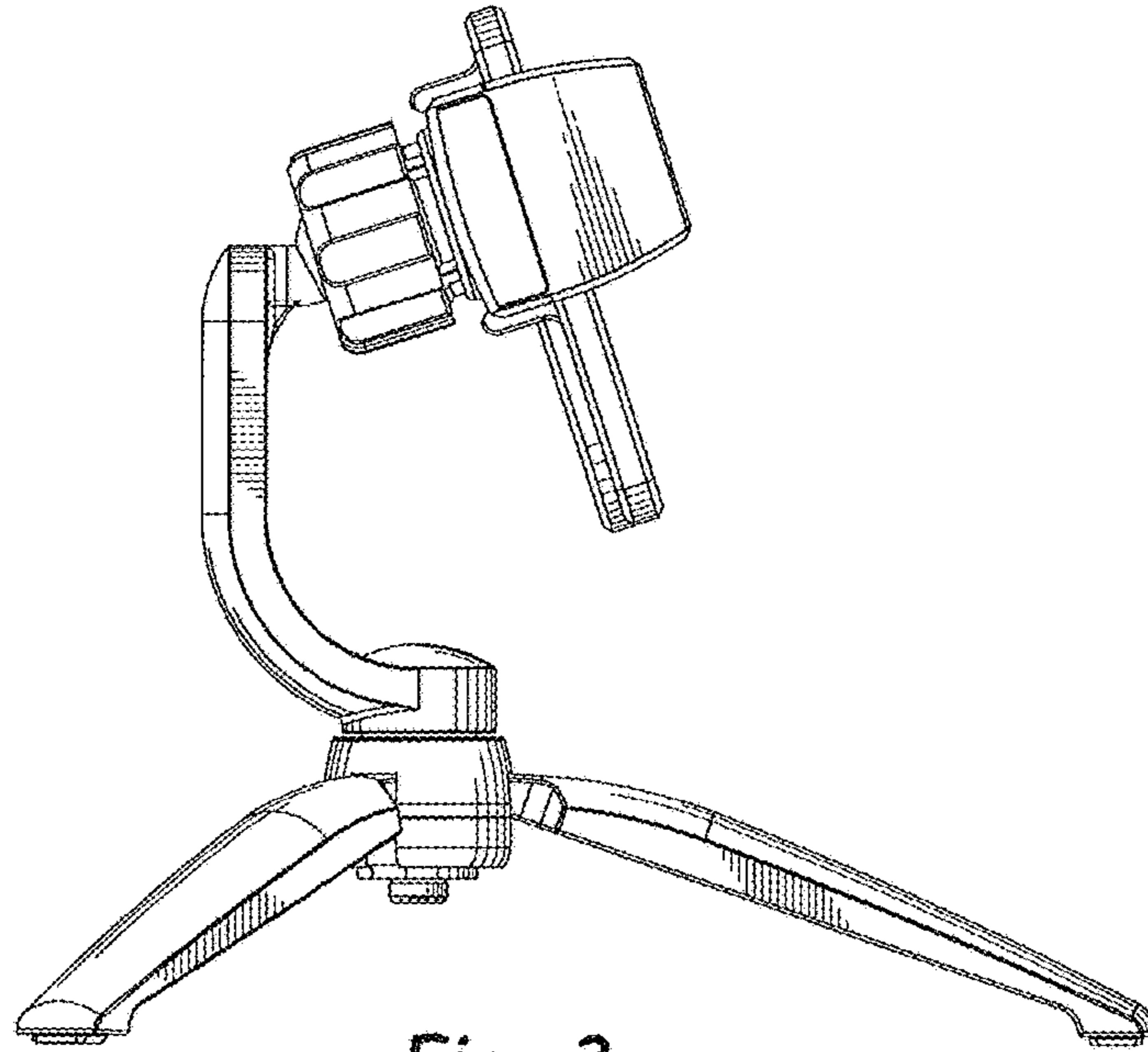


Fig. 3

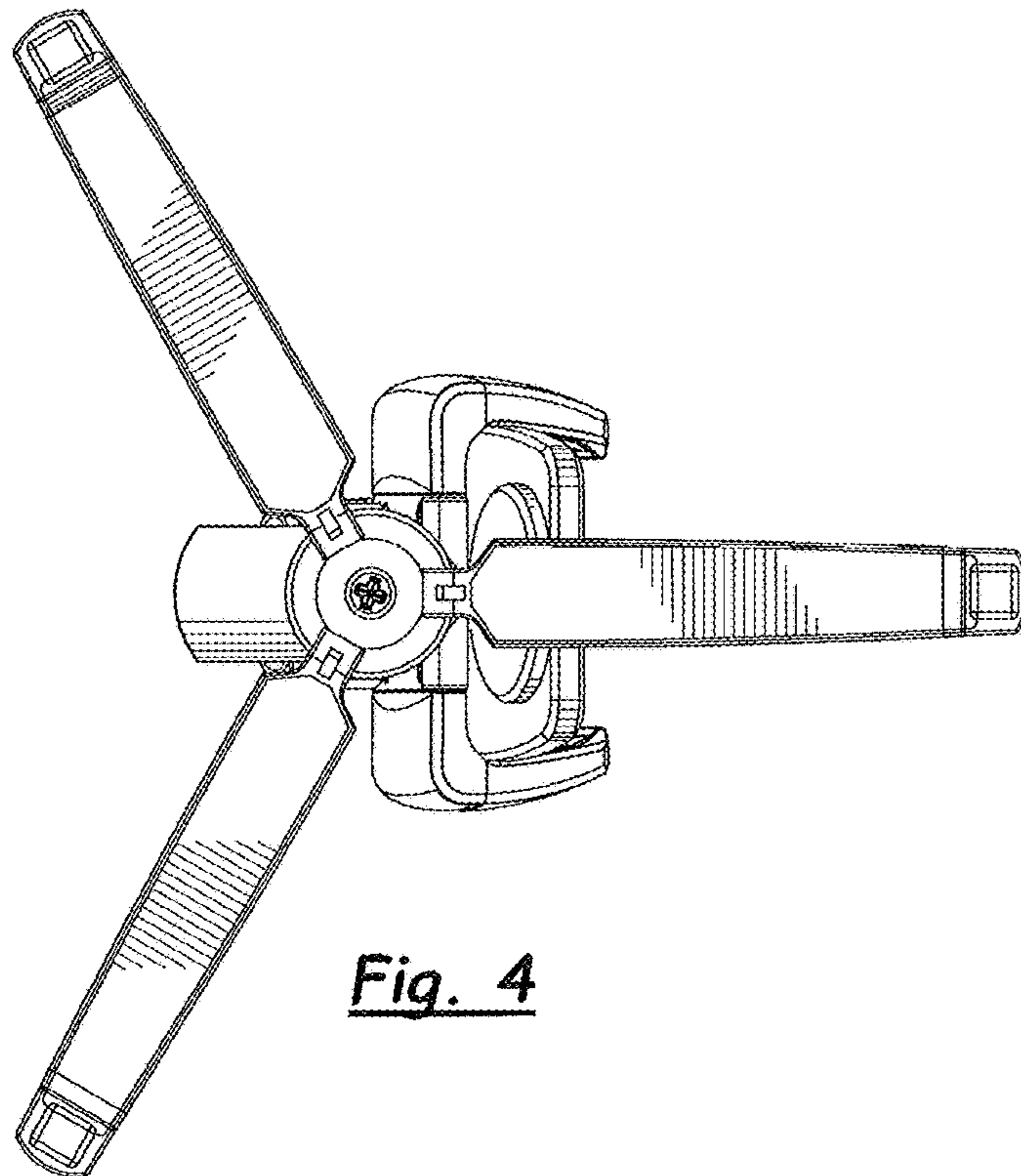


Fig. 4

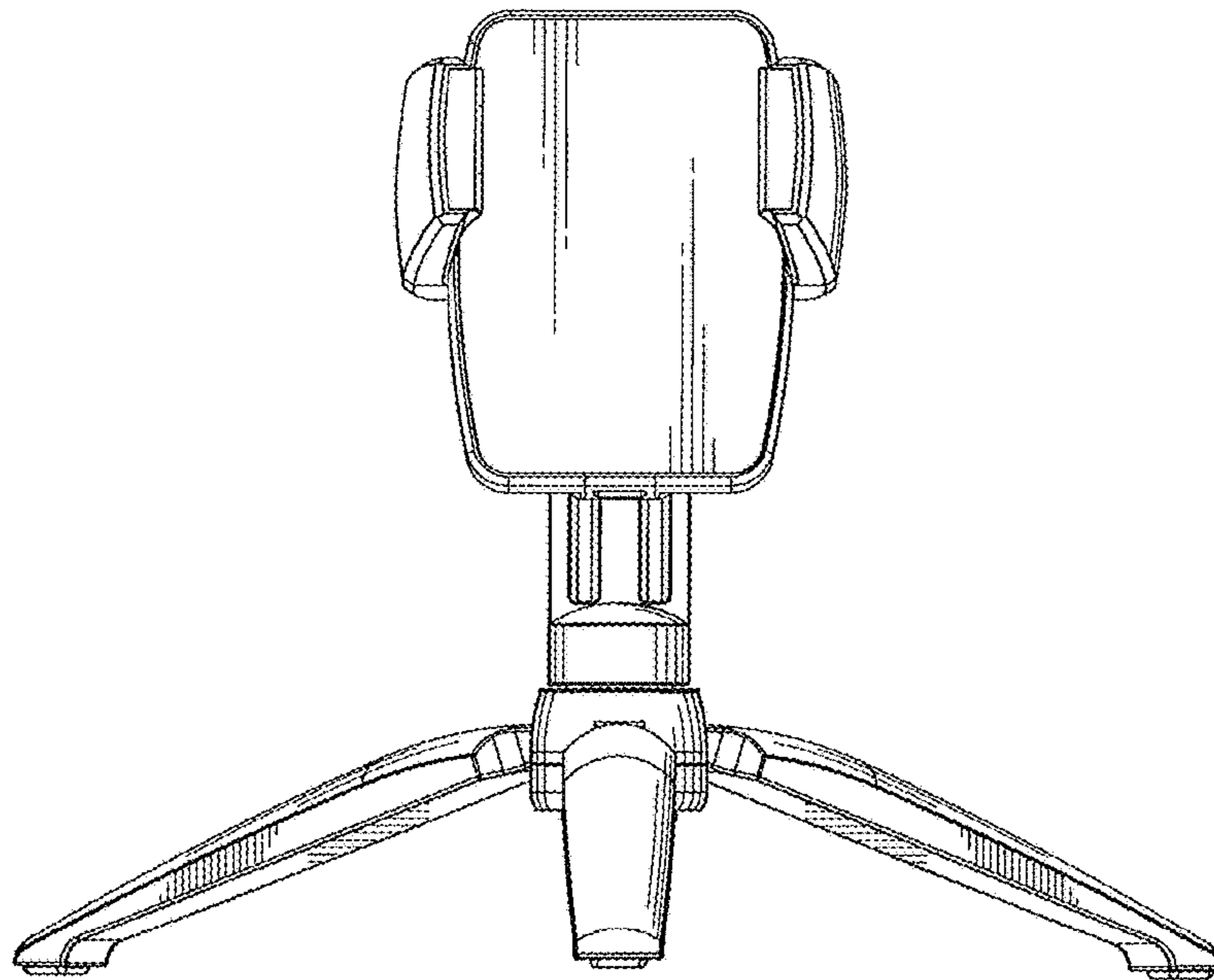


Fig. 5

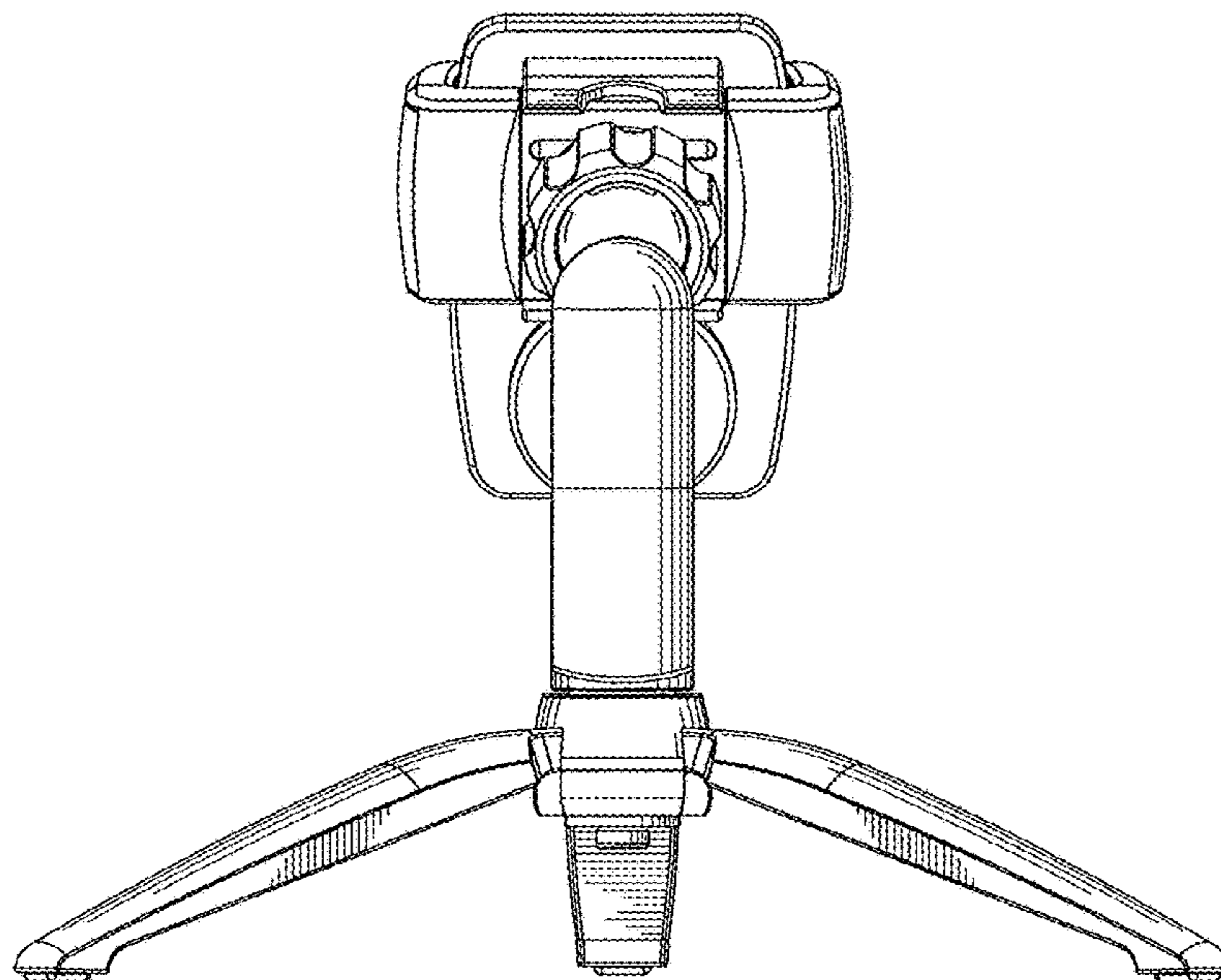


Fig. 6

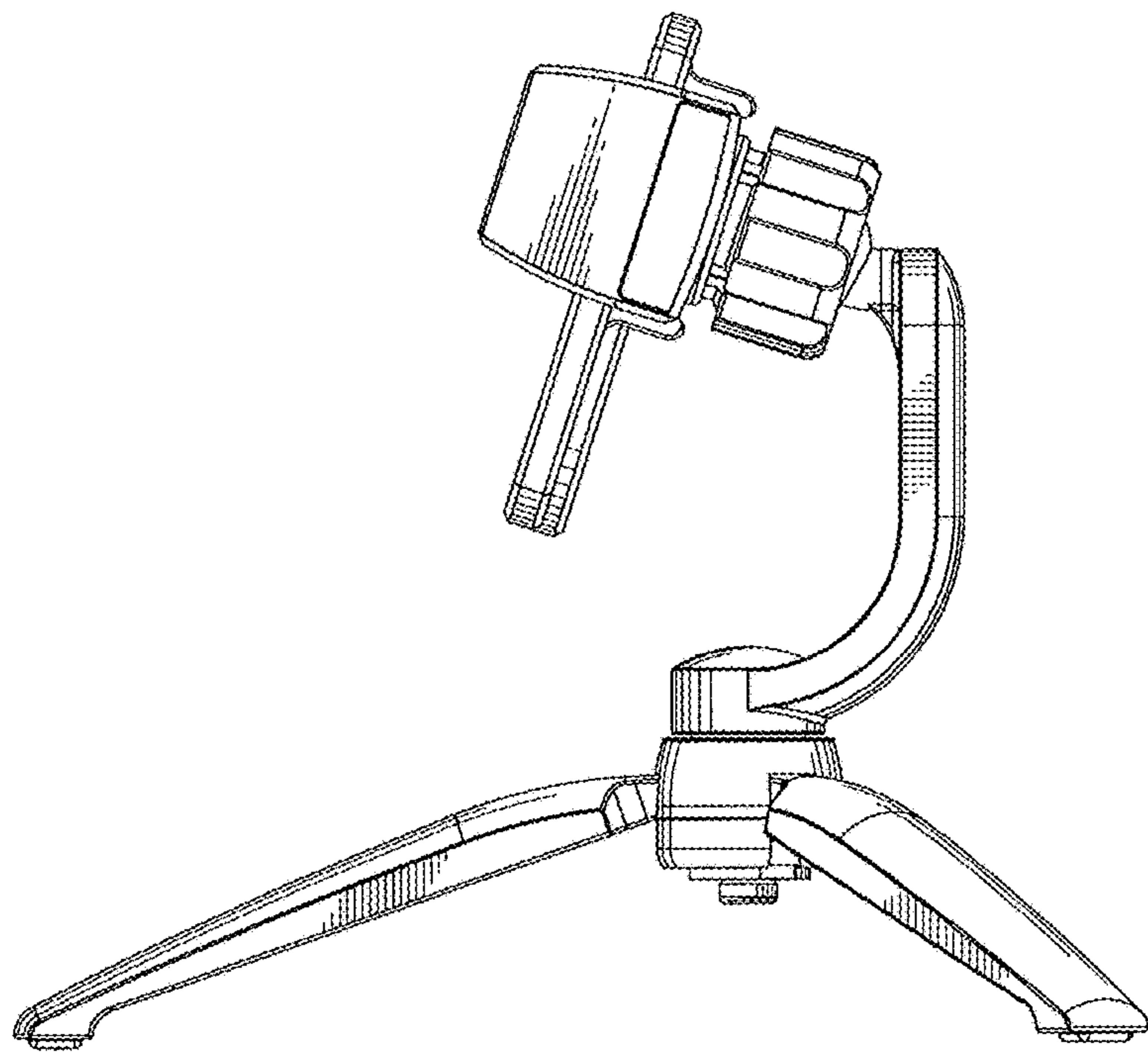


Fig. 7

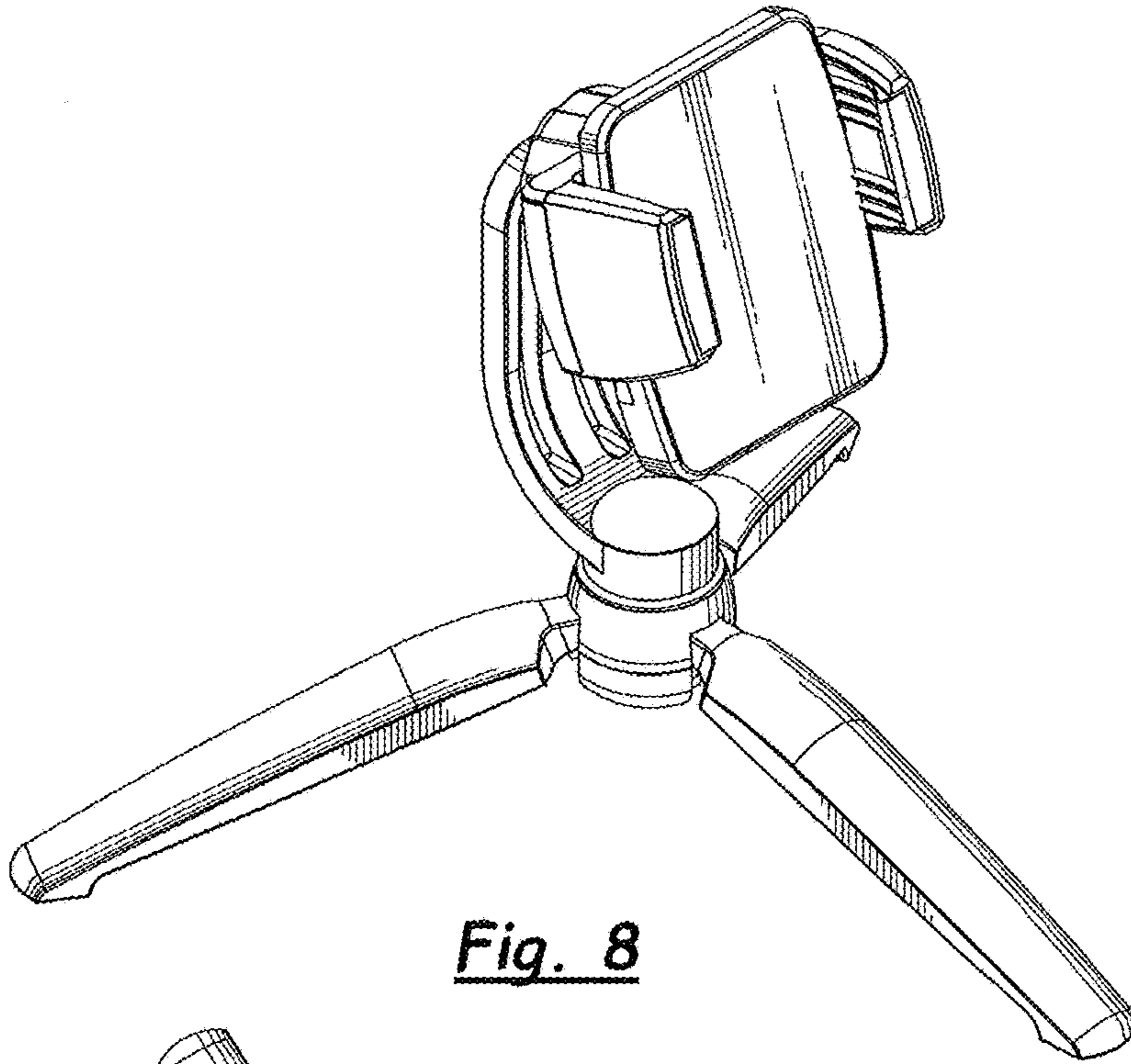


Fig. 8

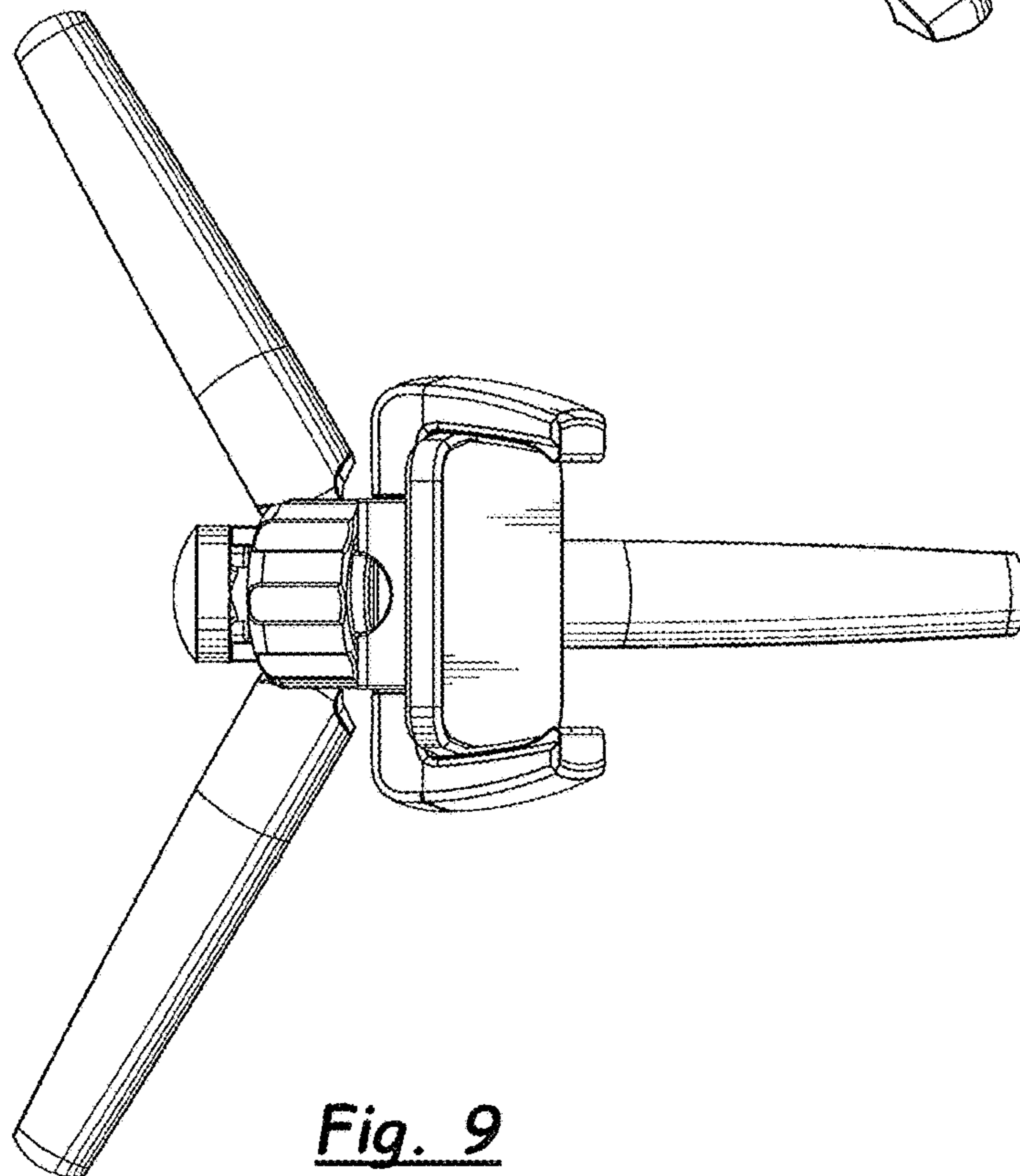


Fig. 9

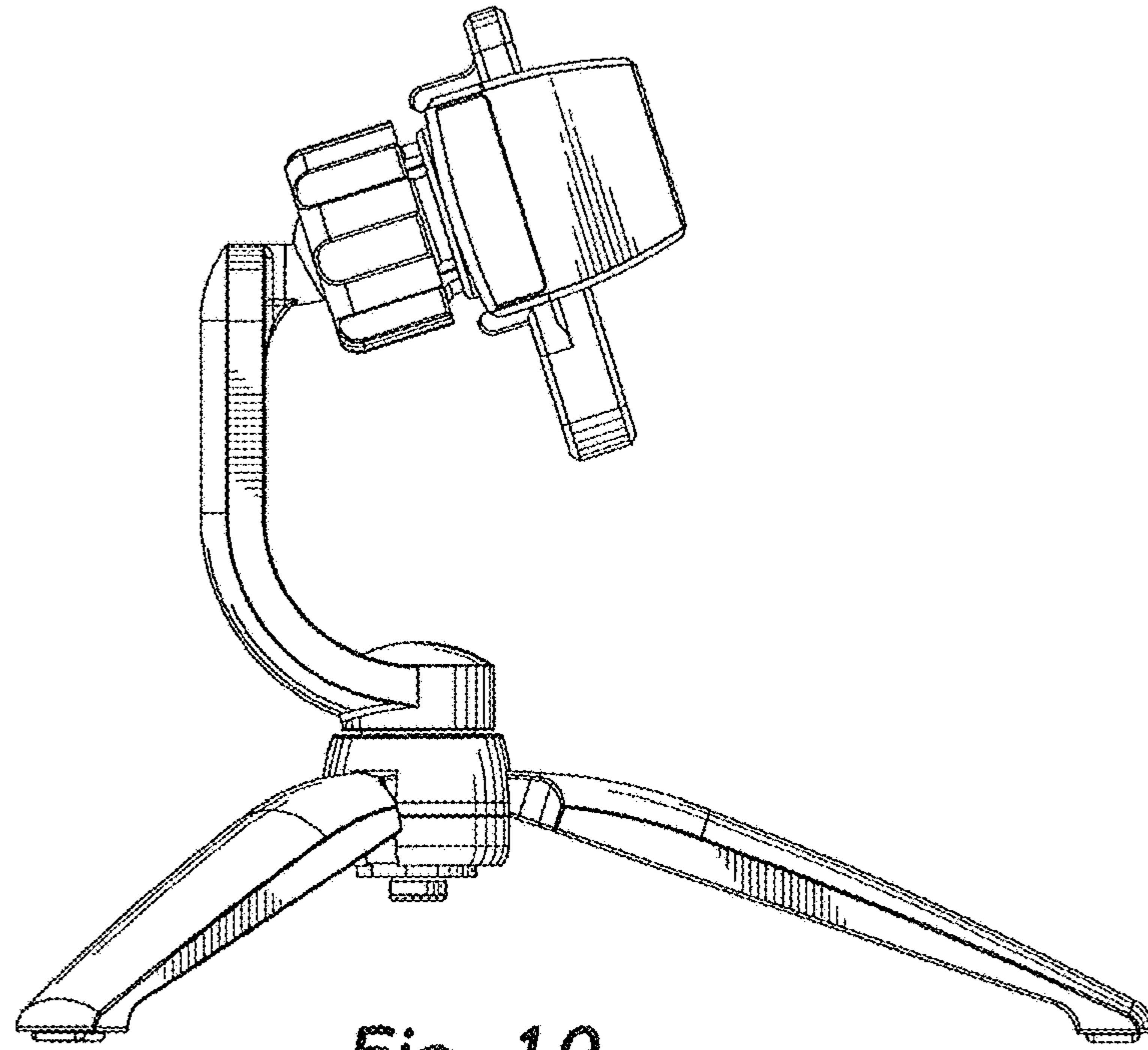


Fig. 10

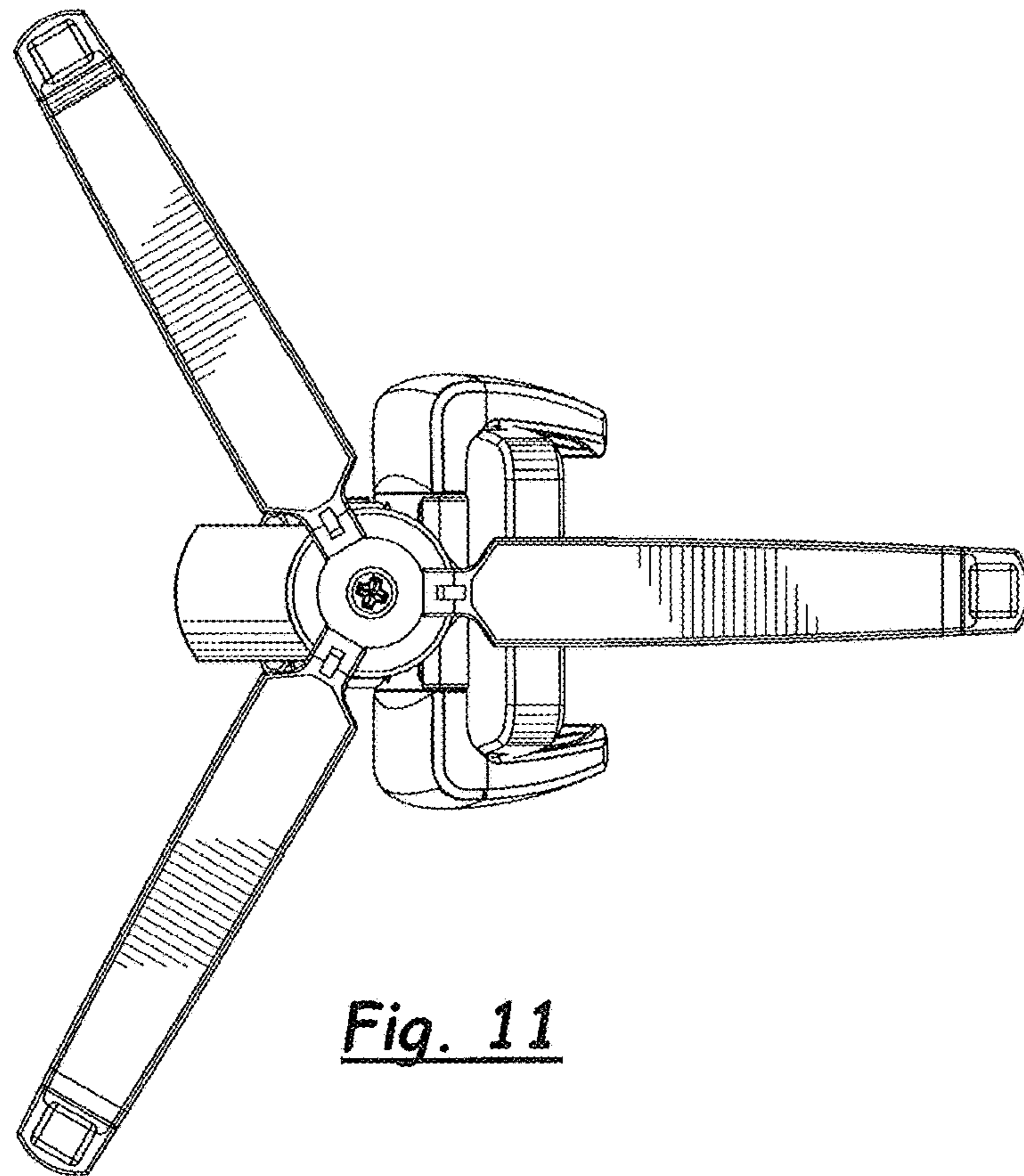


Fig. 11

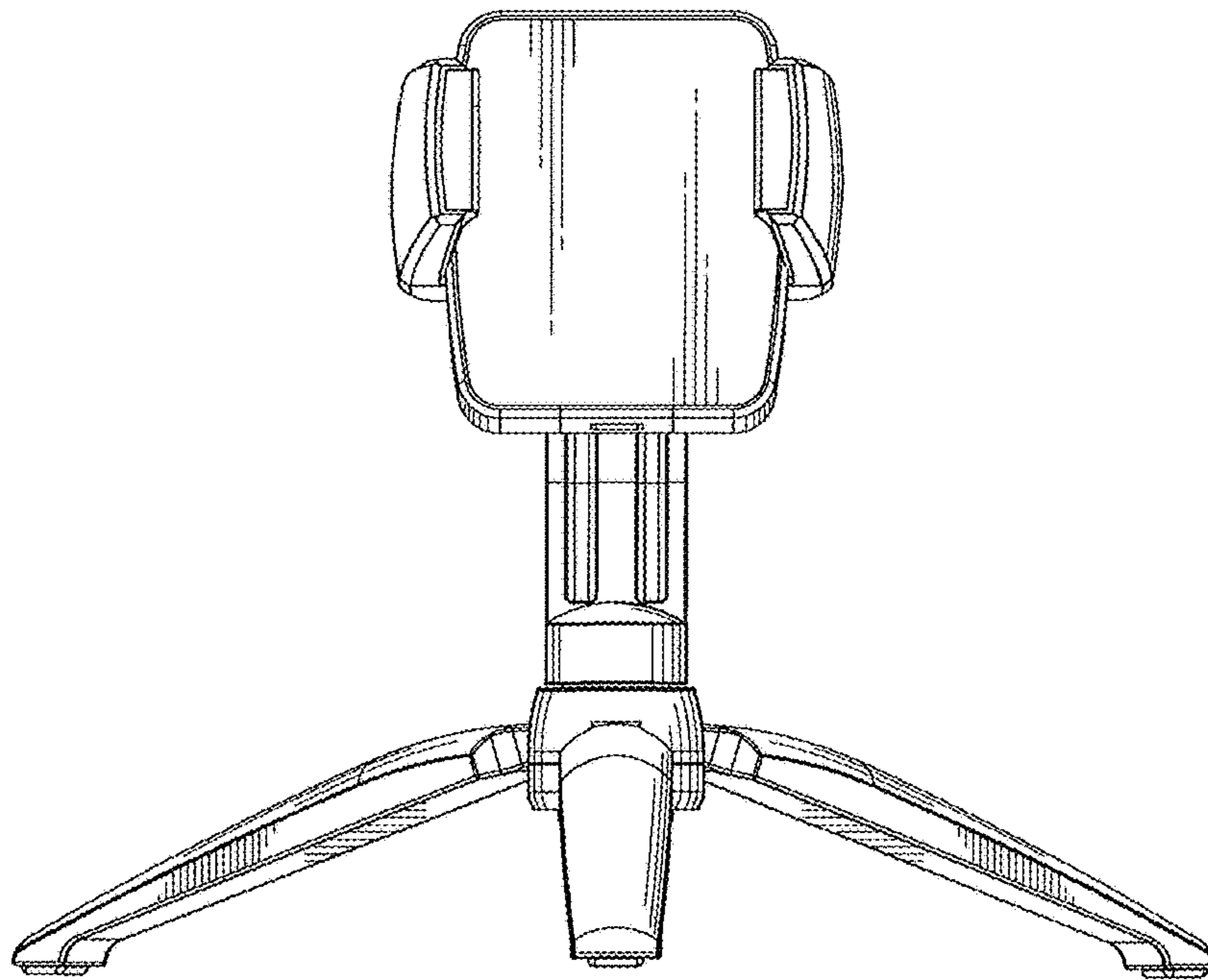


Fig. 12

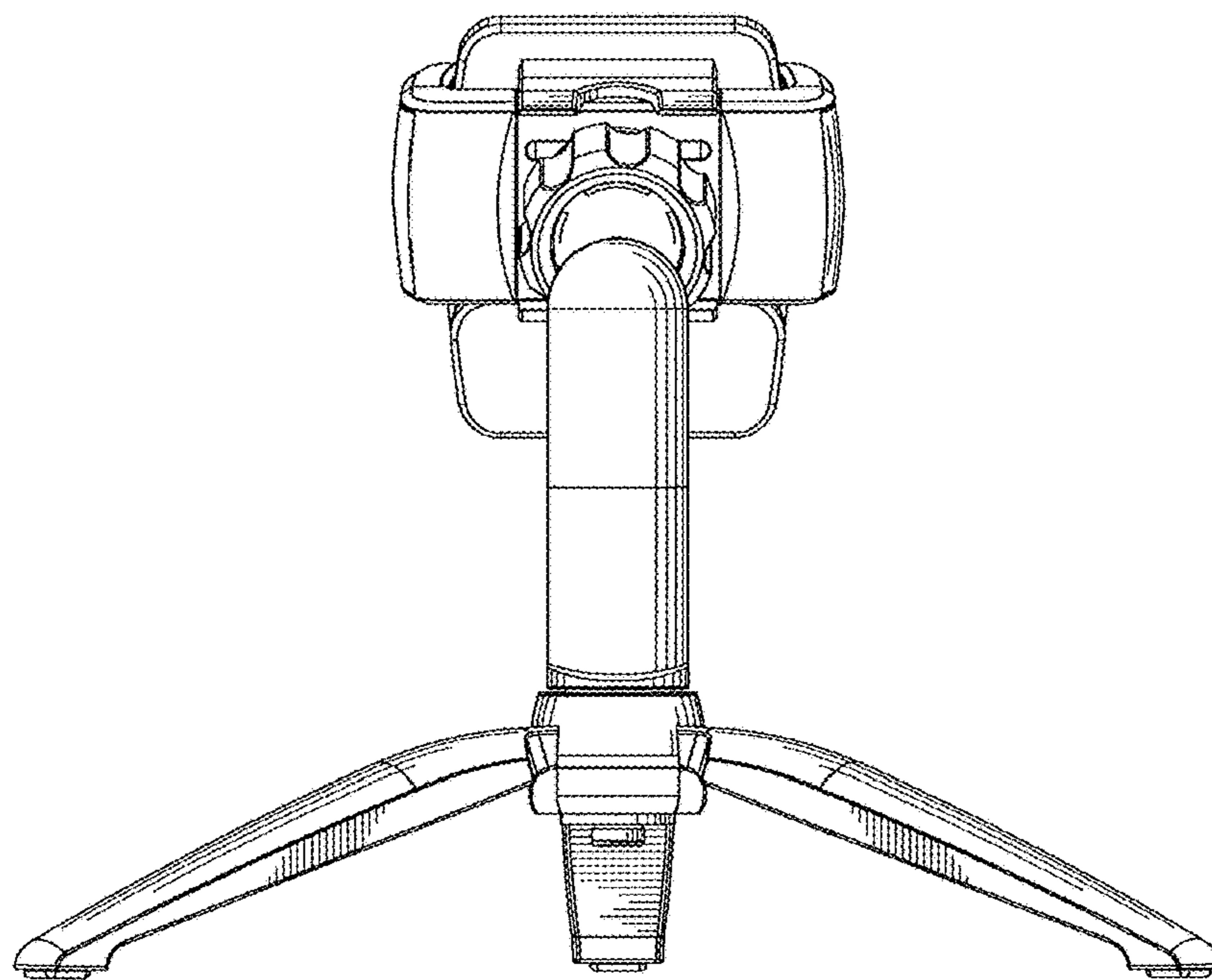


Fig. 13

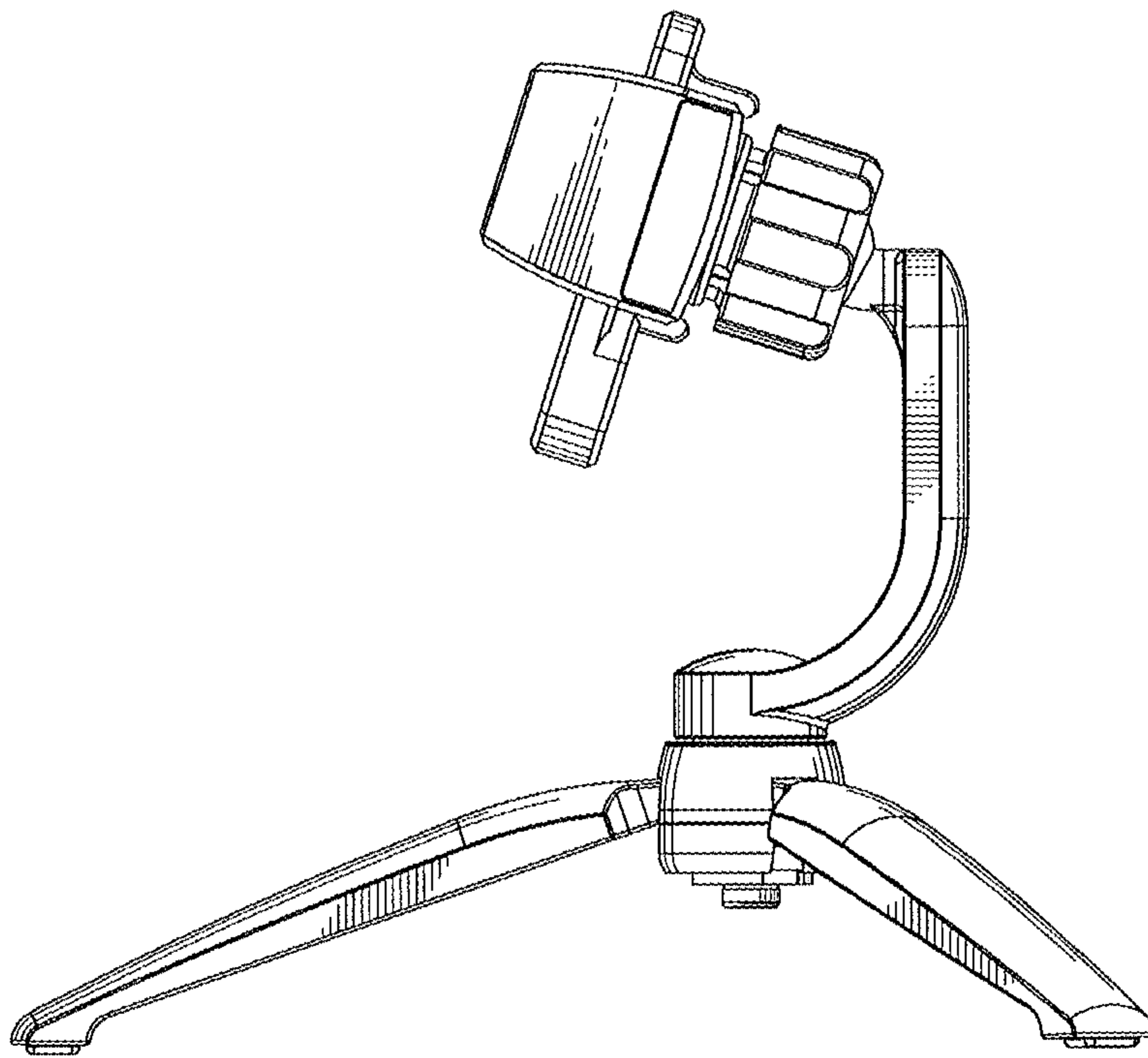


Fig. 14