



US00D835704S

(12) **United States Design Patent** (10) **Patent No.:** **US D835,704 S**
Rossell (45) **Date of Patent:** **** Dec. 11, 2018**

(54) **PROJECTOR HOLDER** 2006/0170885 A1 8/2006 Kitahara
2008/0122137 A1 5/2008 Hamaoka
(71) Applicant: **Mimono LLC**, Doral, FL (US) 2011/0199759 A1 8/2011 Bevirt
2012/0154754 A1 6/2012 Maeda et al.
(72) Inventor: **Joseph Christian Rossell**, Guatemala 2014/0267031 A1 9/2014 Huebner
(GT) 2014/0326839 A1 11/2014 Zouev et al.
2015/0031459 A1* 1/2015 Kim G03B 21/145
463/40
(73) Assignee: **Mimono LLC**, Doral, FL (US) 2016/0198842 A1 7/2016 Kang et al.
2017/0363938 A1 12/2017 Rossell
(**) Term: **15 Years** 2018/0039167 A1 2/2018 Rossell

(21) Appl. No.: **29/622,644**

(22) Filed: **Oct. 18, 2017**

Related U.S. Application Data

(63) Continuation of application No. 29/587,321, filed on Dec. 12, 2016, now Pat. No. Des. 803,931.

(51) **LOC (11) Cl.** **16-02**

(52) **U.S. Cl.**
USPC **D16/235**

(58) **Field of Classification Search**
USPC D16/235, 237, 242, 250; D21/415-416
CPC G03B 21/14; G03B 21/54; G03B 21/145;
G03B 17/561
See application file for complete search history.

(56) **References Cited**

U.S. PATENT DOCUMENTS

D55,977 S 8/1920 Brown
D275,683 S 9/1984 Donnelly et al.
D694,761 S 12/2013 Zoll
8,714,756 B2 5/2014 Yang
D803,929 S * 11/2017 Rossell D16/235
D803,930 S * 11/2017 Rossell D16/235
D803,931 S 11/2017 Rossell
9,891,509 B2 * 2/2018 Rossell G03B 21/145
2001/0007527 A1 7/2001 Lammers et al.

FOREIGN PATENT DOCUMENTS

JP 1339924 S 9/2018
WO WO 2011/089369 A1 7/2011

* cited by examiner

Primary Examiner — Wan Laymon

(74) *Attorney, Agent, or Firm* — Wolf, Greenfield & Sacks, P.C.

(57) **CLAIM**

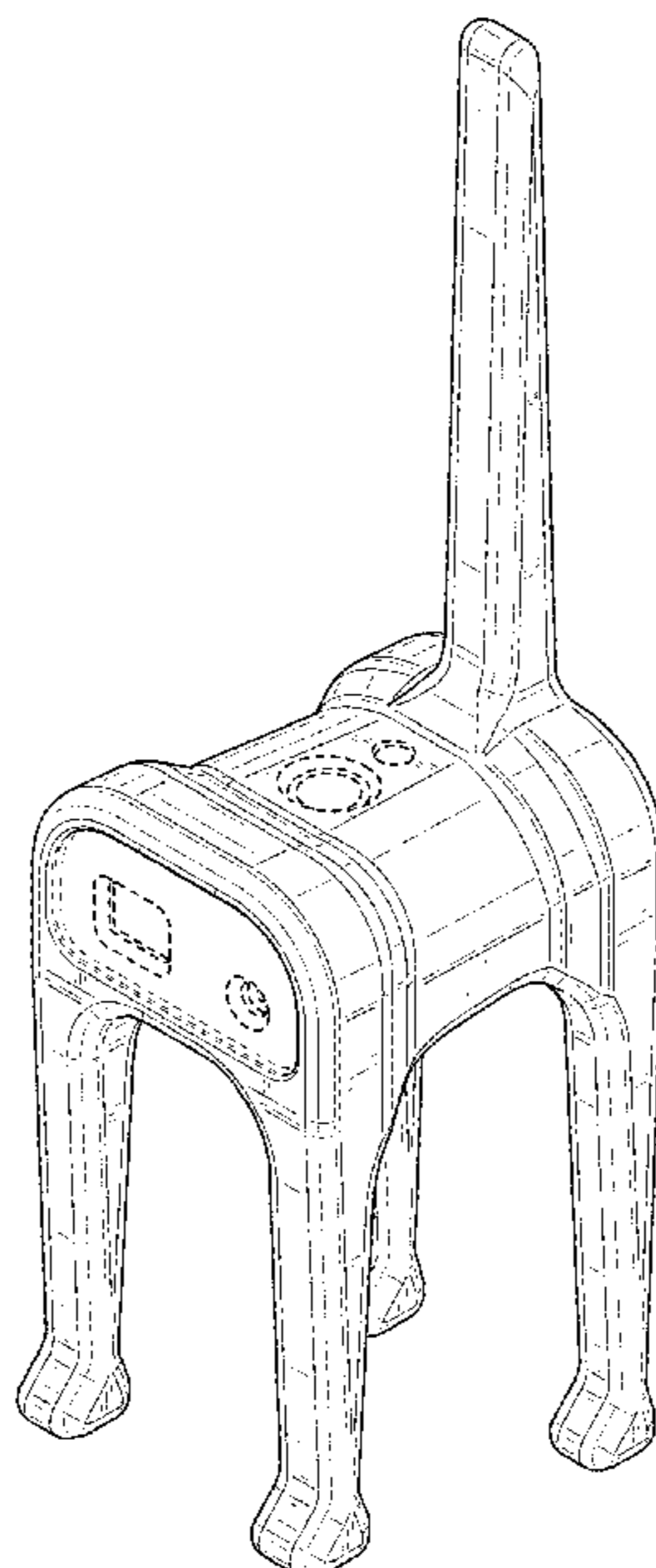
The ornamental design for a projector holder, as shown and described.

DESCRIPTION

FIG. 1 is a top, front, right side perspective view of a projector holder showing my new design; FIG. 2 is a front elevation view thereof; FIG. 3 is a rear elevation view thereof; FIG. 4 is a left side elevation view thereof; FIG. 5 is a right side elevation view thereof; FIG. 6 is a top plan view thereof; and, FIG. 7 is a bottom plan view thereof.

The broken lines in the figures illustrate portions of the projector holder that form no part of the claimed design.

1 Claim, 6 Drawing Sheets



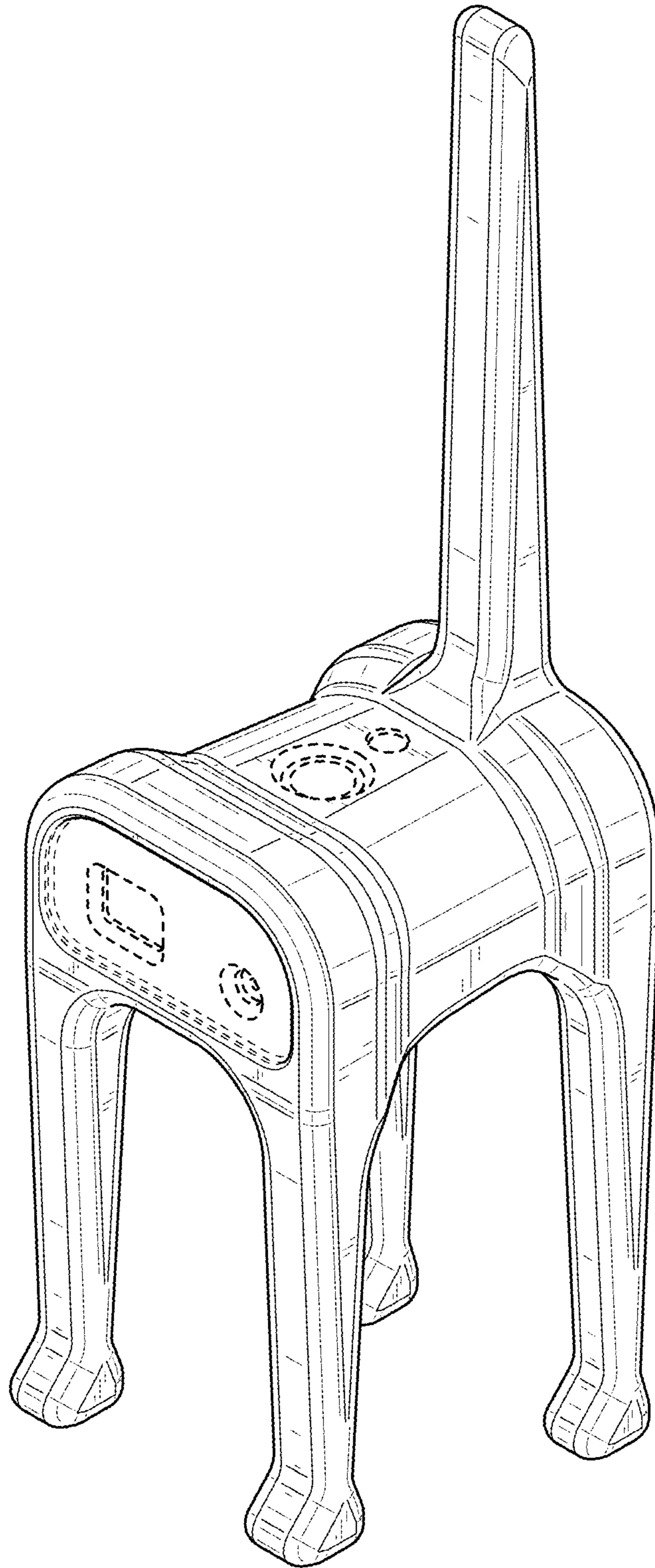


FIG. 1

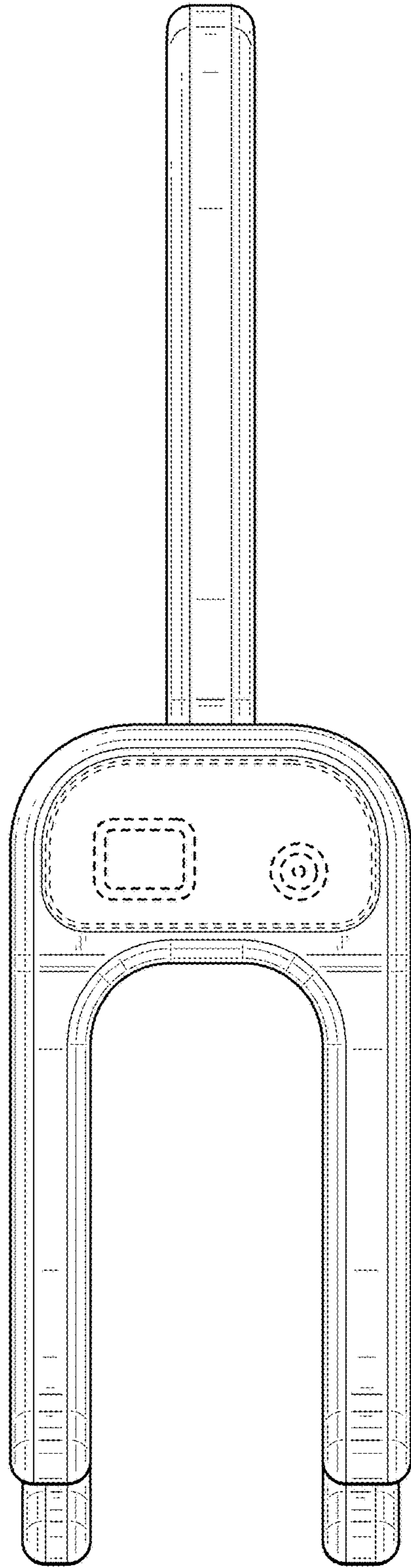


FIG. 2

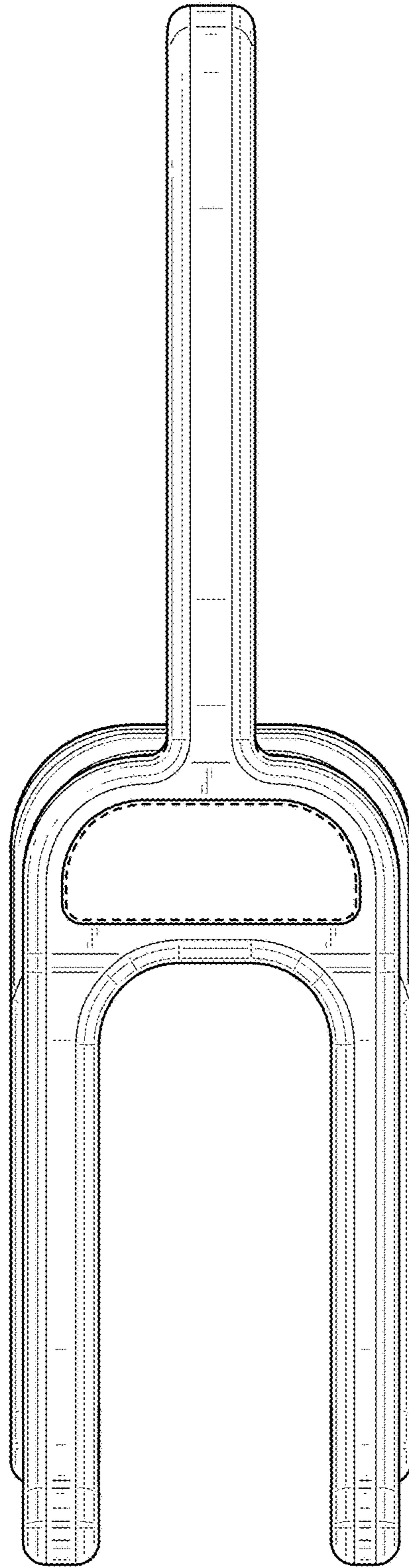


FIG. 3

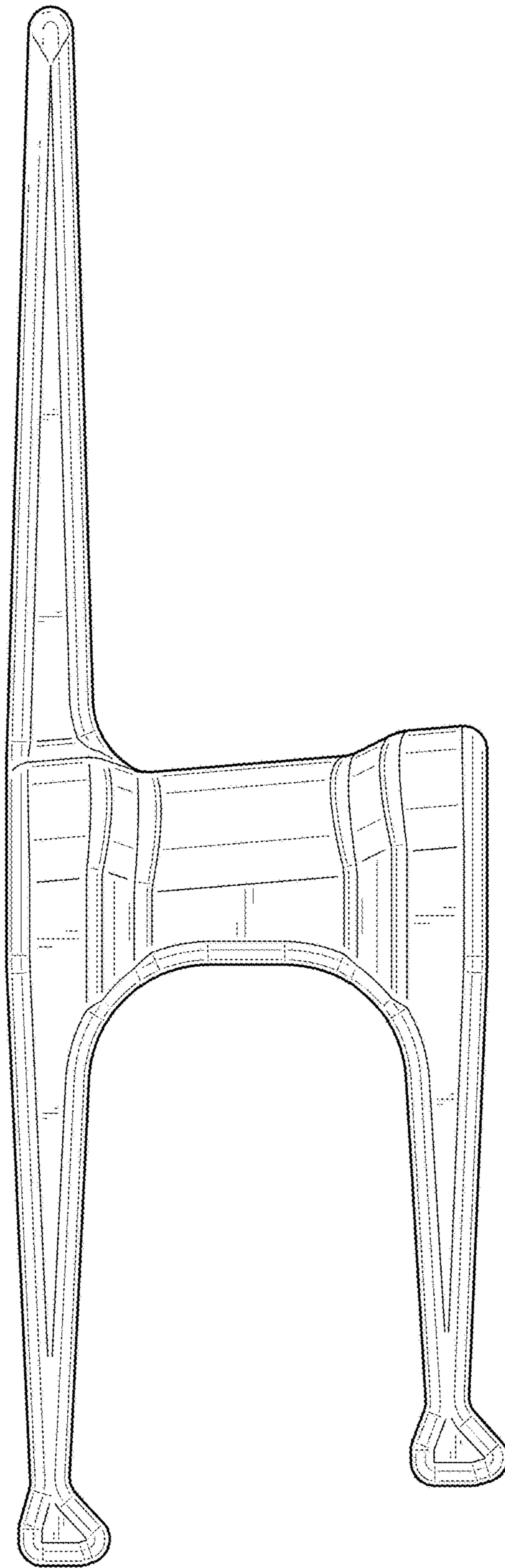


FIG. 4

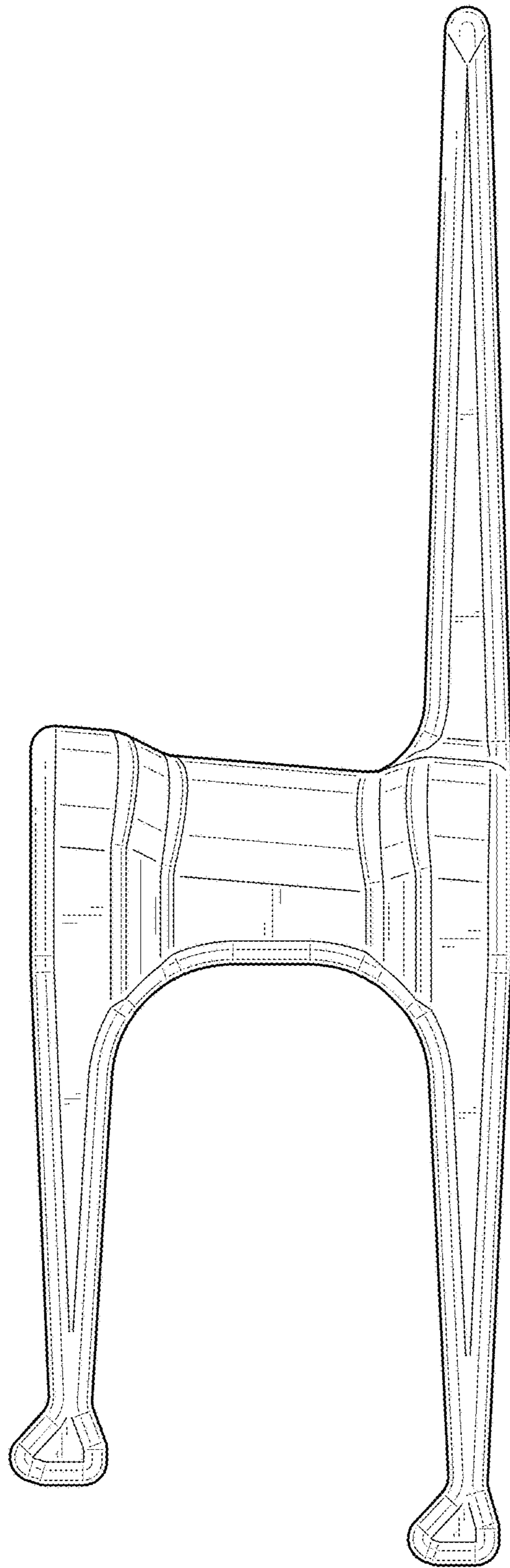


FIG. 5

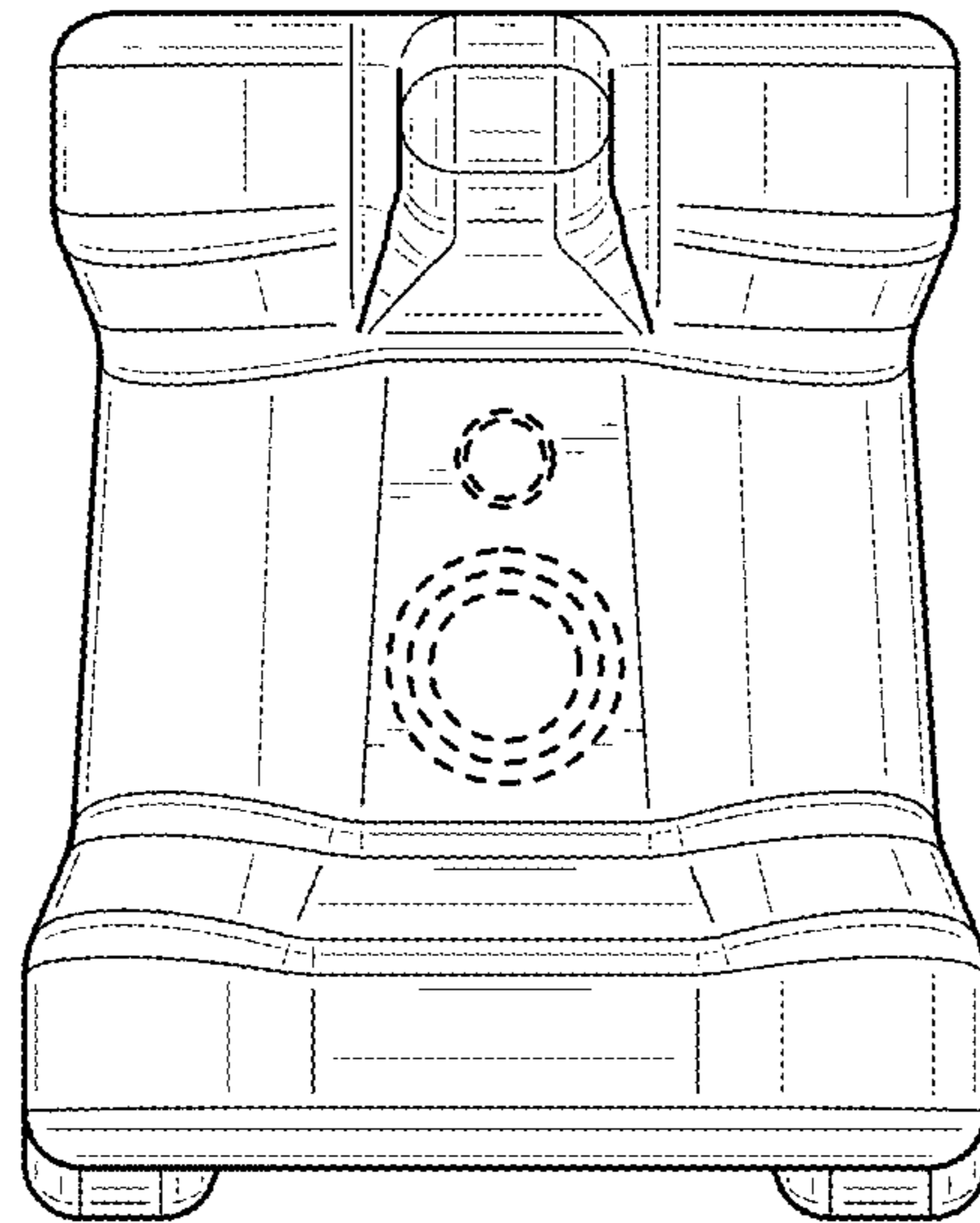


FIG. 6

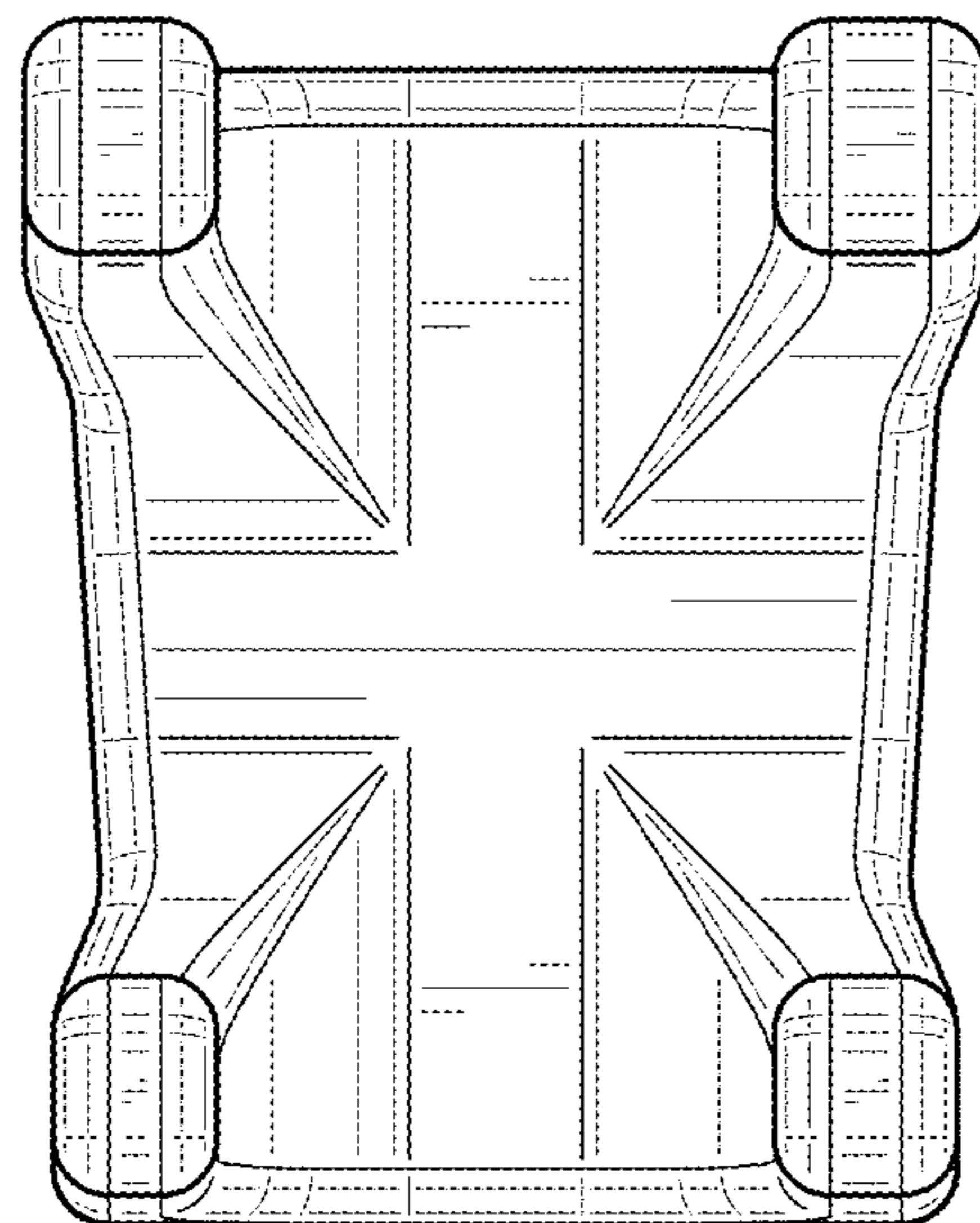


FIG. 7