



US00D835703S

(12) **United States Design Patent** (10) **Patent No.:** **US D835,703 S**  
**Moon et al.** (45) **Date of Patent:** **\*\* Dec. 11, 2018**

(54) **PROJECTOR**  
(71) Applicant: **LG ELECTRONICS INC.,** Seoul (KR)  
(72) Inventors: **Yihyun Moon,** Seoul (KR); **Eunbong Lee,** Seoul (KR); **Gangho Woo,** Seoul (KR); **Yoonyoung Cho,** Seoul (KR)  
(73) Assignee: **LG ELECTRONICS INC.,** Seoul (KR)  
(\*\*) Term: **15 Years**  
(21) Appl. No.: **35/504,190**  
(22) Filed: **Jun. 21, 2017**  
(80) **Hague Agreement Data**  
Int. Filing Date: **Jun. 21, 2017**  
Int. Reg. No.: **DM/096656**  
Int. Reg. Date: **Jun. 21, 2017**  
Int. Reg. Pub. Date: **Dec. 22, 2017**

(30) **Foreign Application Priority Data**  
Dec. 22, 2016 (KR) ..... 30-2016-0062665  
(51) **LOC (11) Cl.** ..... **16-02**  
(52) **U.S. Cl.**  
USPC ..... **D16/230**  
CPC ..... **G03B 23/044** (2013.01)  
(58) **Field of Classification Search**  
USPC ..... D16/221-234, 514  
CPC .... G03B 23/044; G03B 21/00; G03B 21/001; G03B 21/003; G03B 21/14; G03B 21/142; G03B 21/145; G03B 21/12; G03B 21/16  
See application file for complete search history.

(56) **References Cited**  
U.S. PATENT DOCUMENTS  
3,394,478 A \* 7/1968 Rube ..... G03B 23/044 353/51  
D250,199 S \* 11/1978 Mankau ..... D16/233

D317,446 S \* 6/1991 Vossoughi ..... D14/374  
D320,403 S \* 10/1991 Flasck ..... D14/132  
D323,324 S \* 1/1992 Suda ..... D14/125  
D343,184 S \* 1/1994 Kahn ..... D16/236  
D350,147 S \* 8/1994 Ina ..... D16/221  
D355,206 S \* 2/1995 Zavracky ..... D16/235  
D442,983 S \* 5/2001 Goto ..... D16/225  
D480,409 S \* 10/2003 Wang ..... D16/225  
D500,070 S \* 12/2004 Yamaguchi ..... D16/225  
D510,098 S \* 9/2005 Ishikawa ..... D16/225  
D516,603 S \* 3/2006 Yeh ..... D16/225  
D517,108 S \* 3/2006 Chang ..... D16/225  
D522,037 S \* 5/2006 Inoue ..... D16/225  
D523,058 S \* 6/2006 On ..... D16/230  
D531,654 S \* 11/2006 Lin ..... D16/230  
D545,865 S \* 7/2007 Azuma ..... D16/221  
D555,696 S \* 11/2007 Naruki ..... D16/225  
D600,735 S \* 9/2009 Chigira ..... D16/225  
D615,575 S \* 5/2010 Inoue ..... D16/225

(Continued)

*Primary Examiner* — Richard E Chilcot  
(74) *Attorney, Agent, or Firm* — Birch, Stewart, Kolasch & Birch, LLP

(57) **CLAIM**

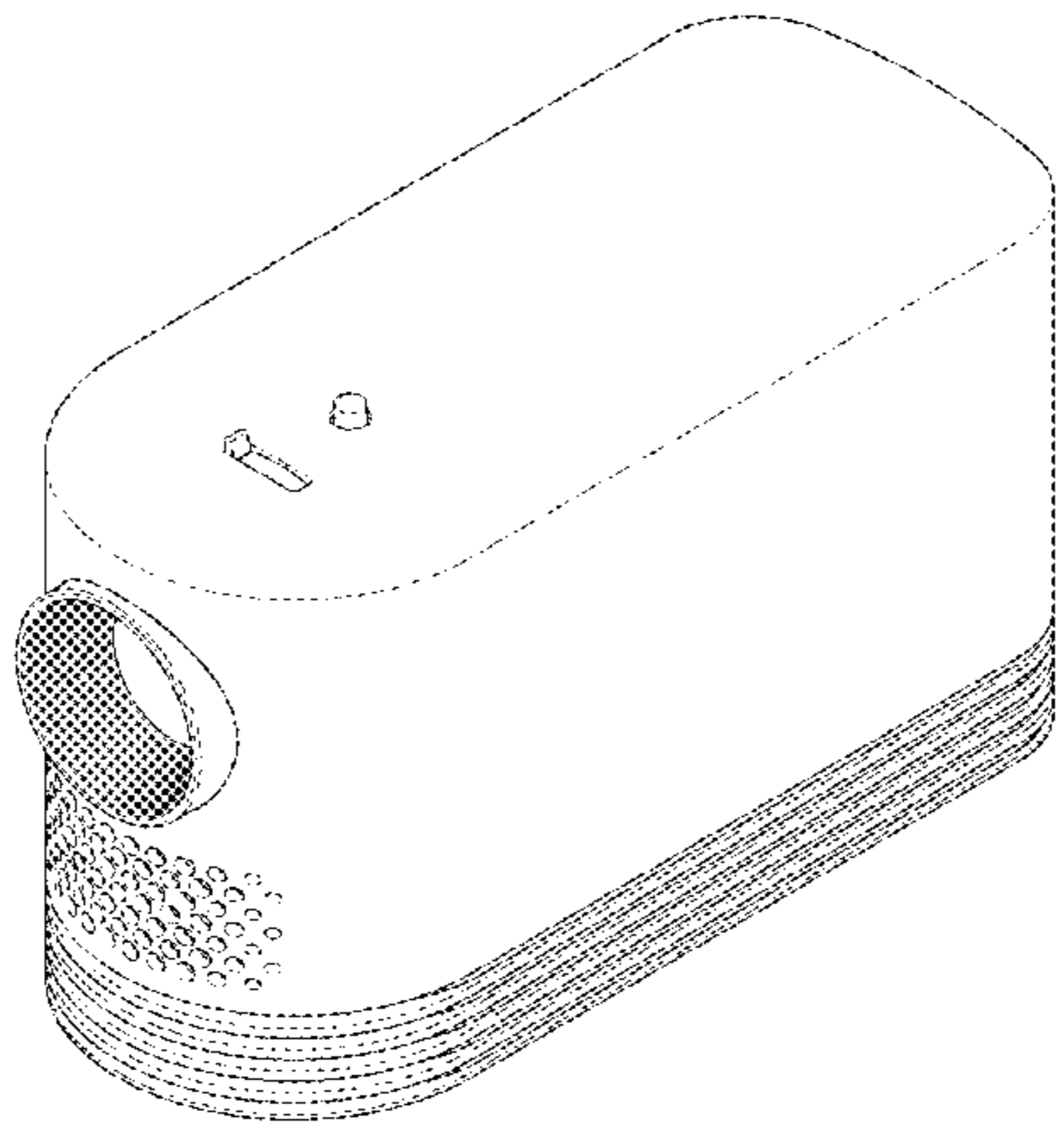
The ornamental design for a projector, as shown and described.

**DESCRIPTION**

- 1. Projector
- 1.1 : Perspective
- 1.2 : Front
- 1.3 : Back
- 1.4 : Left
- 1.5 : Right
- 1.6 : Top
- 1.7 : Bottom

The present ornamental design is a combination of the shape and pattern of a projector as shown and described; the broken lines indicate unclaimed portion of the article that form no part of the claimed design.

**1 Claim, 7 Drawing Sheets**



(56)

**References Cited**

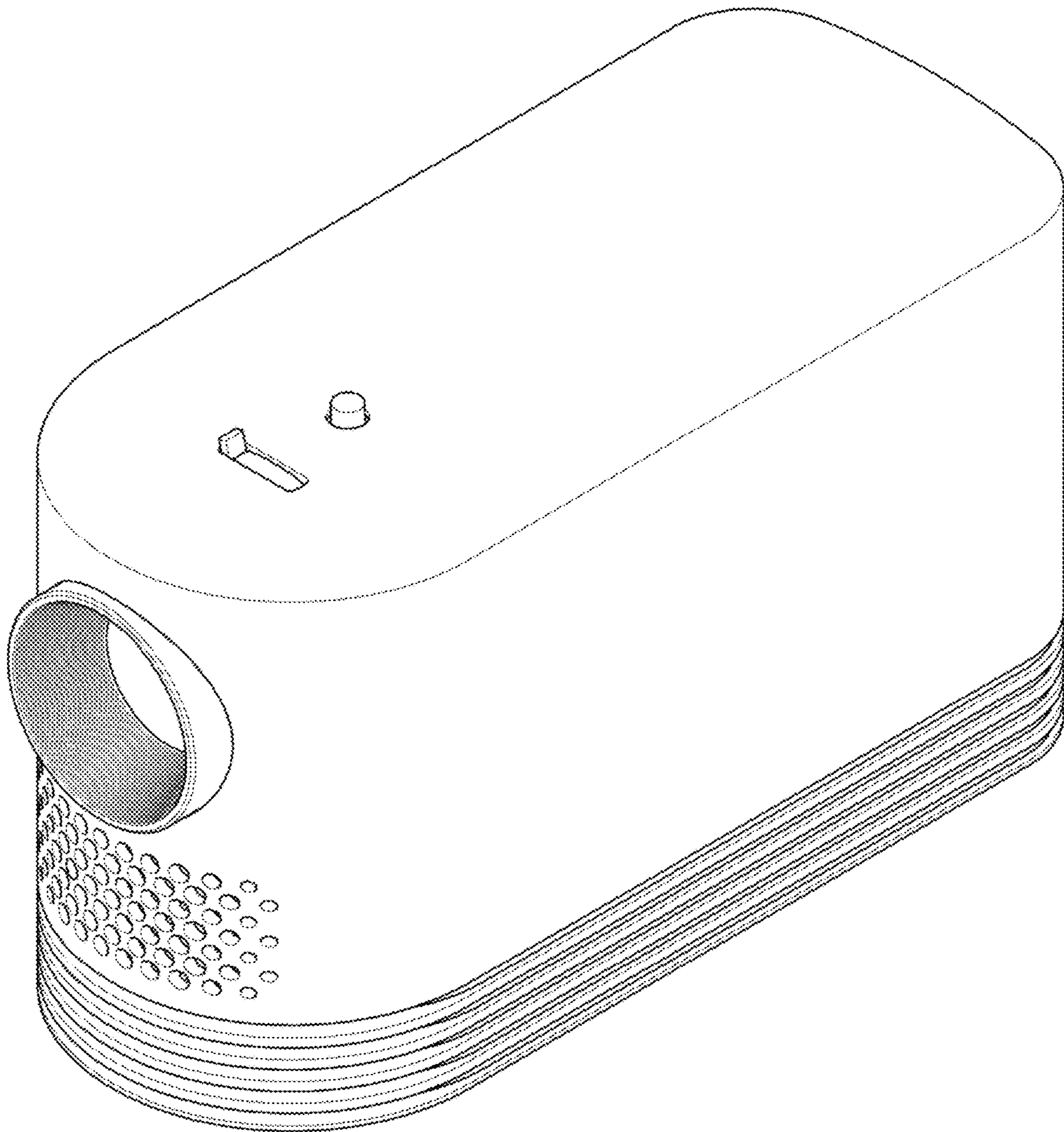
U.S. PATENT DOCUMENTS

7,850,309 B2 \* 12/2010 Hirouchi ..... H04N 9/3144  
 353/52  
 D631,904 S \* 2/2011 Kim ..... D16/225  
 D648,769 S \* 11/2011 Tzeng ..... D16/225  
 D653,691 S \* 2/2012 Takeda ..... D16/230  
 D663,759 S \* 7/2012 Cho ..... D16/230  
 D670,322 S \* 11/2012 Lee ..... D16/230  
 D687,084 S \* 7/2013 Lim ..... D16/225  
 D690,759 S \* 10/2013 Moriya ..... D16/225  
 D691,189 S \* 10/2013 Zhao ..... D16/225  
 D699,280 S \* 2/2014 Lim ..... D16/241  
 D704,242 S \* 5/2014 Seo ..... D16/235  
 D717,358 S \* 11/2014 Go ..... D16/230

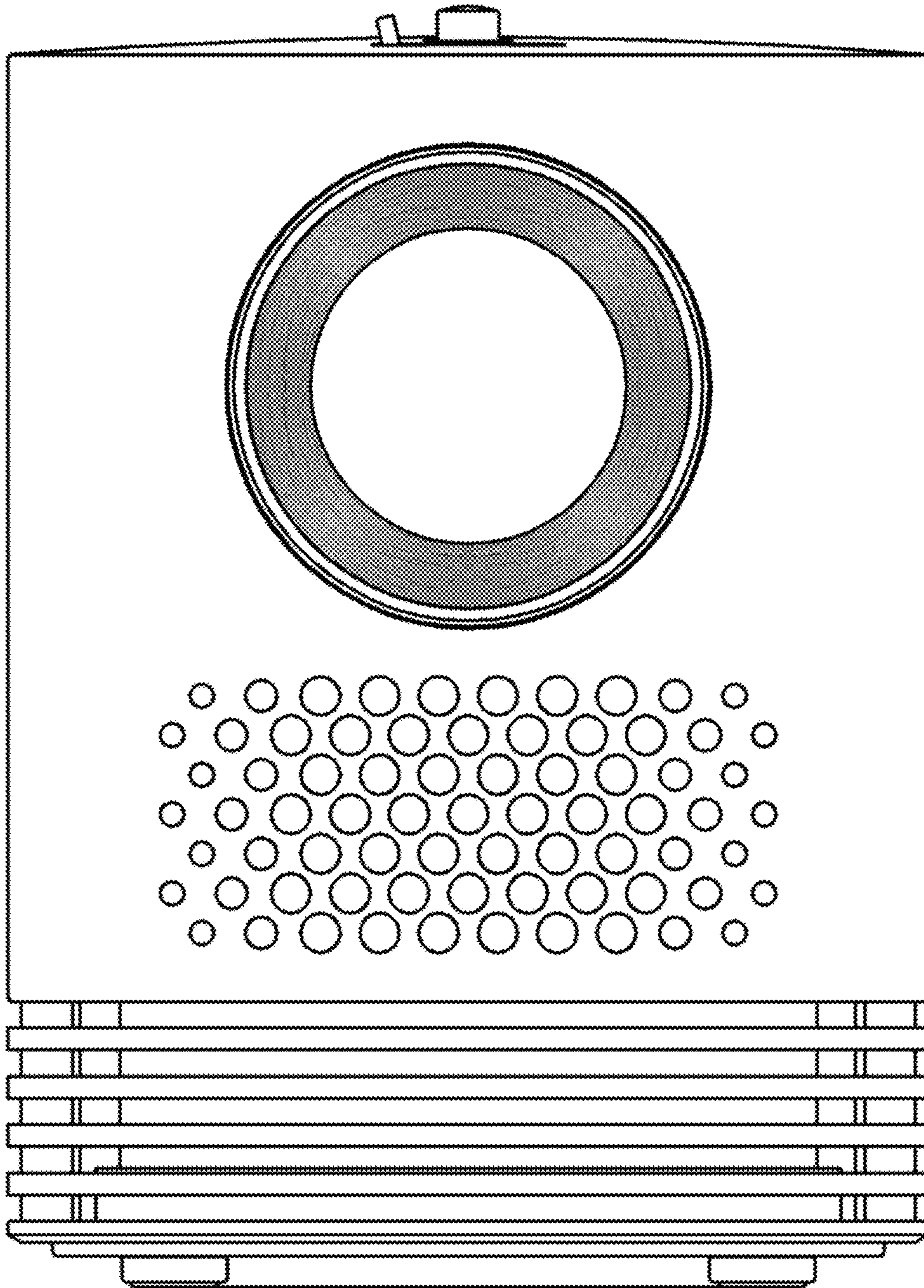
D730,972 S \* 6/2015 Georges ..... D16/230  
 D734,382 S \* 7/2015 Kim ..... D16/230  
 D747,397 S \* 1/2016 Go ..... D16/235  
 D752,676 S \* 3/2016 Cho ..... D16/225  
 D755,275 S \* 5/2016 Lee ..... D16/230  
 D755,276 S \* 5/2016 Lee ..... D16/230  
 D762,256 S \* 7/2016 Han ..... D16/225  
 D769,348 S \* 10/2016 Li ..... D16/230  
 D769,349 S \* 10/2016 Seo ..... D16/230  
 D769,958 S \* 10/2016 Seo ..... D16/230  
 D770,554 S \* 11/2016 Han ..... D16/225  
 D772,968 S \* 11/2016 Lee ..... D16/225  
 D773,550 S \* 12/2016 Seo ..... D16/235  
 D781,365 S \* 3/2017 Kim ..... D16/225  
 D781,366 S \* 3/2017 Kim ..... D16/225  
 D801,411 S \* 10/2017 Lee ..... D16/230

\* cited by examiner

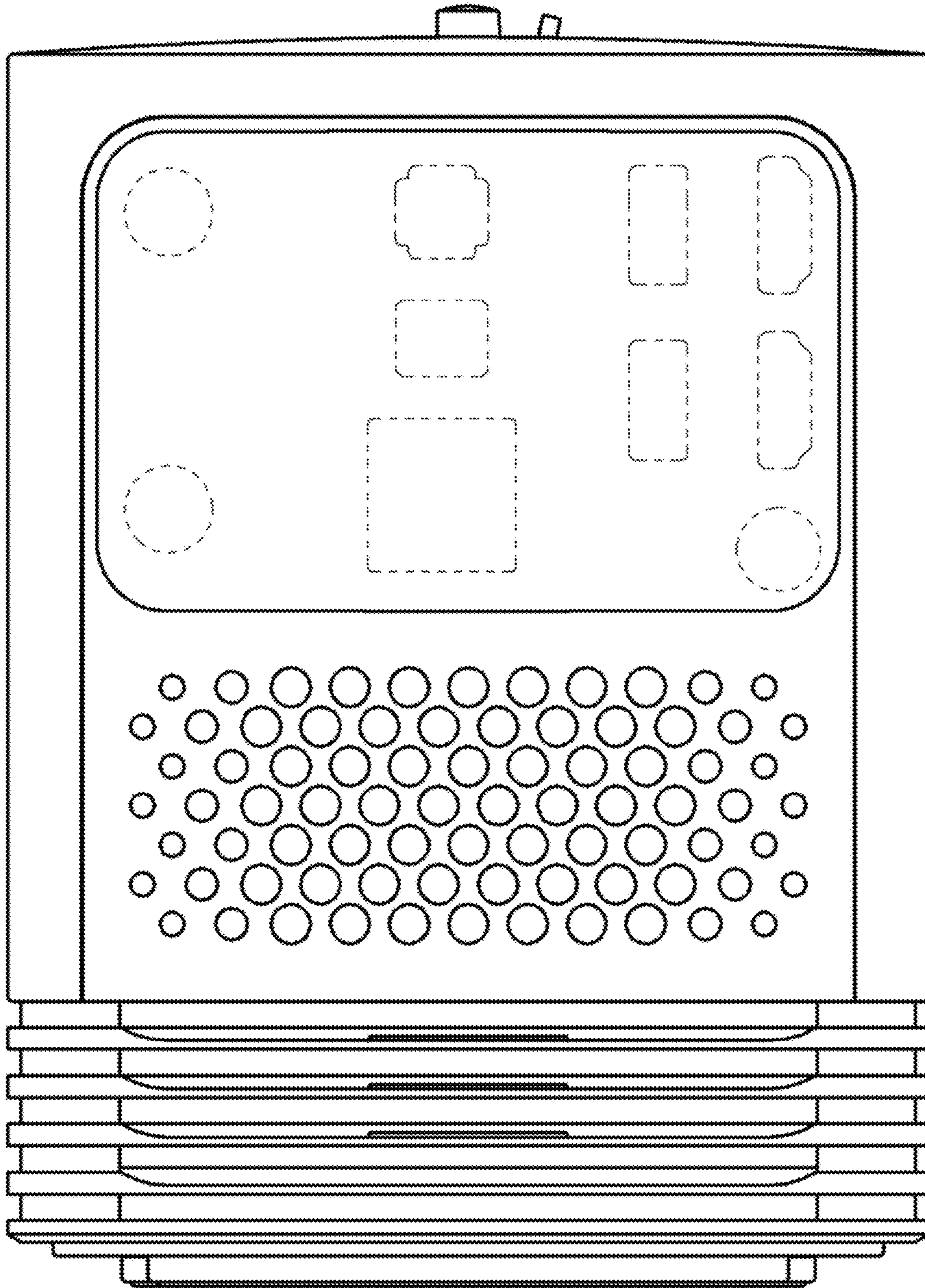
1.1



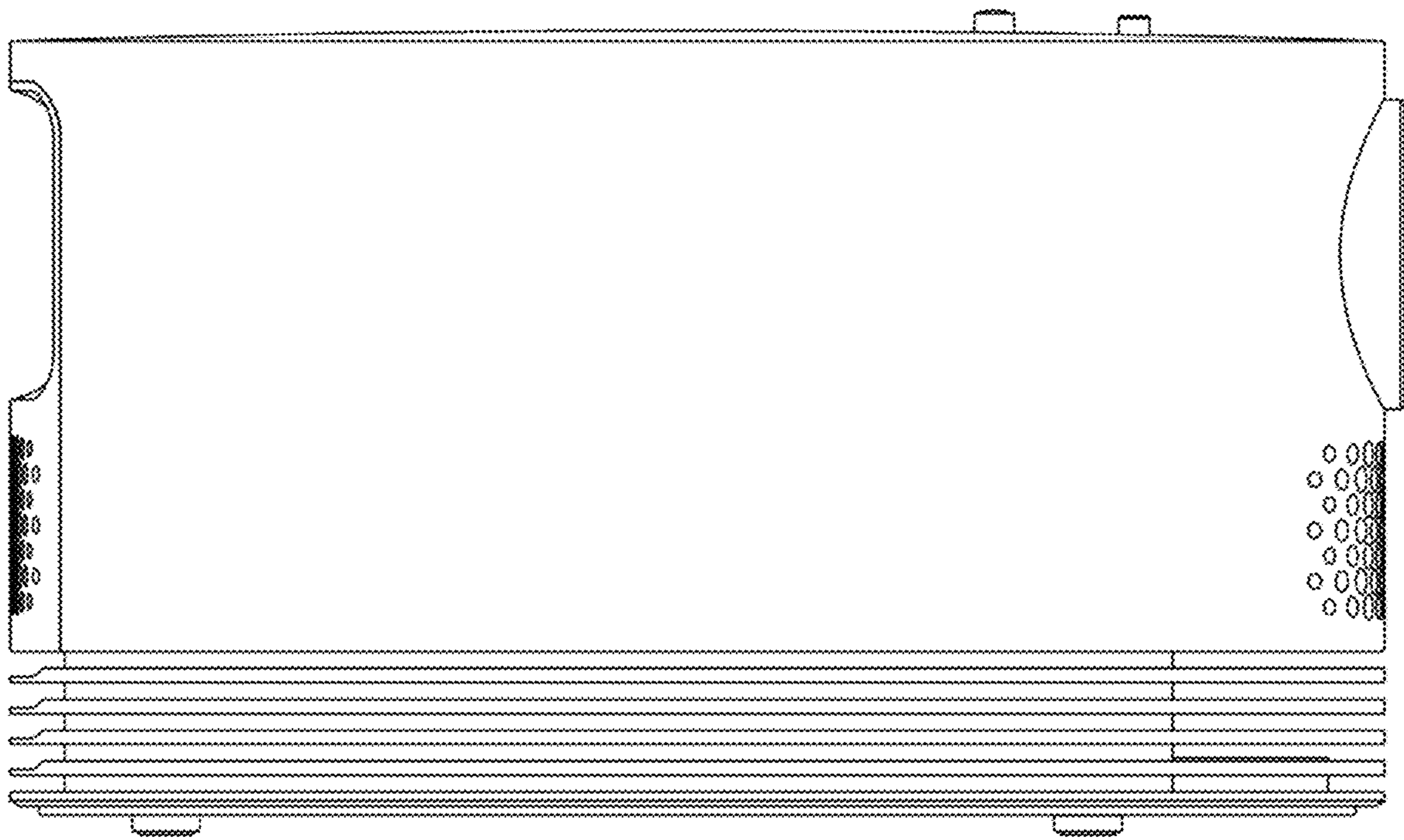
1.2



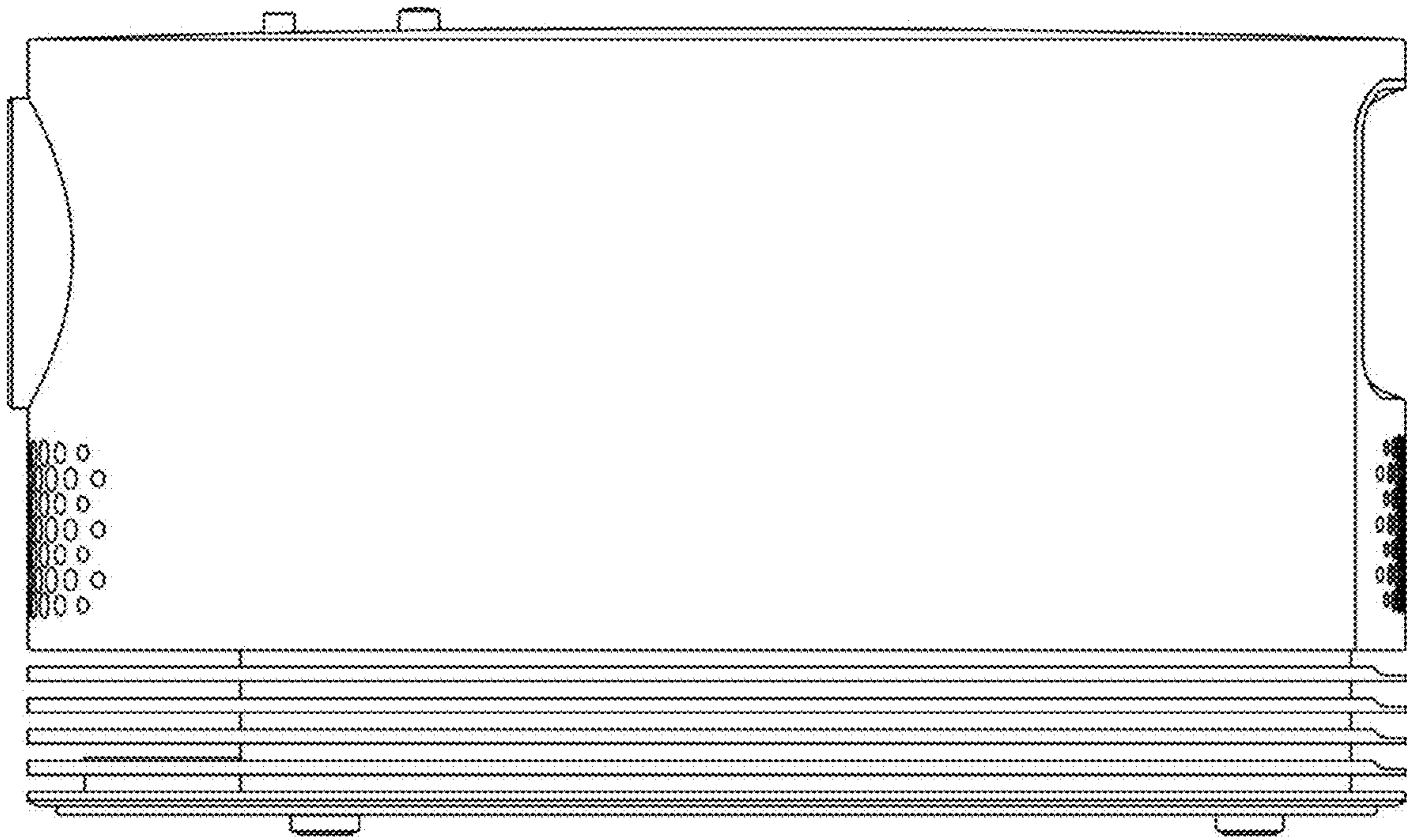
1.3



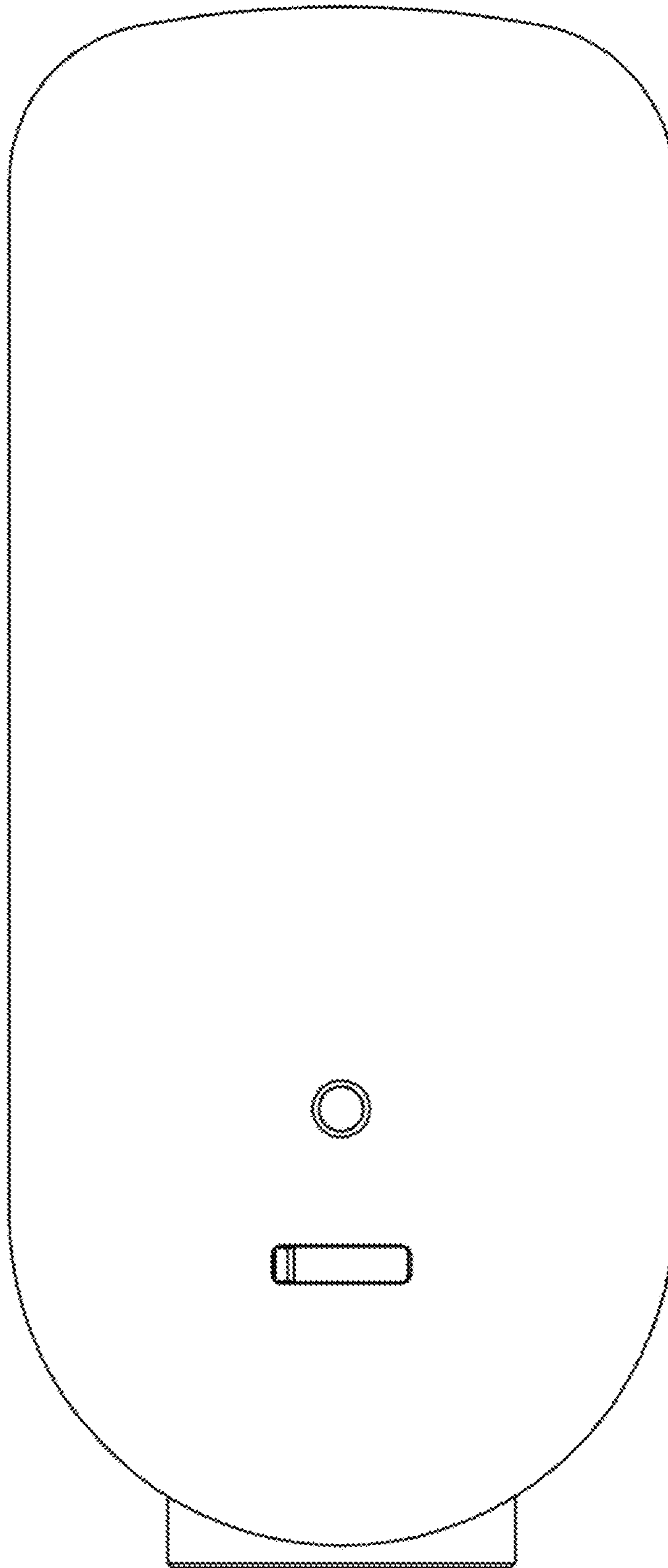
1.4



1.5



1.6





1.7

