



US00D835701S

(12) **United States Design Patent** (10) **Patent No.:** **US D835,701 S**
Song (45) **Date of Patent:** **** Dec. 11, 2018**

(54) **CAMERA**

- (71) Applicant: **TwoEyes Tech, Inc.**, Anyang-si, Gyeonggi-do (KR)
- (72) Inventor: **Hun Joo Song**, Yongin-si (KR)
- (73) Assignee: **TwoEyes Tech, Inc.**, Anyang-si (KR)
- (**) Term: **15 Years**
- (21) Appl. No.: **29/614,445**
- (22) Filed: **Aug. 18, 2017**

(56) **References Cited**

U.S. PATENT DOCUMENTS

D149,233	S	*	4/1948	Teague	D16/210
D150,327	S	*	7/1948	Zimmerman	D16/210
D150,517	S	*	8/1948	Rochwite	D16/210
D167,577	S	*	8/1952	Lamb	D16/210
D174,802	S	*	5/1955	De Lacy	D16/210
D178,365	S	*	7/1956	Hertzler	D16/210
D180,167	S	*	4/1957	Witt et al.	D16/210
7,604,423	B2		10/2009	Nagata et al.		
D641,388	S		7/2011	Shih et al.		
8,587,715	B2		11/2013	Takeda		
D709,117	S		7/2014	Gan et al.		
D711,451	S		8/2014	Katsuyama		

(Continued)

Related U.S. Application Data

- (62) Division of application No. 29/586,369, filed on Dec. 2, 2016, now Pat. No. Des. 800,201.

(30) **Foreign Application Priority Data**

Nov. 30, 2016	(KR)	30-2016-0058022
Nov. 30, 2016	(KR)	30-2016-0058023
Nov. 30, 2016	(KR)	30-2016-0058024

- (51) **LOC (11) Cl.** **16-05**
- (52) **U.S. Cl.**
USPC **D16/219**

- (58) **Field of Classification Search**
USPC D16/200, 202-203, 207, 208, 210, 218, D16/219, 242; 248/187.1; 348/14.01-14.6, 143, 148, 151, 373-376; 396/419, 427, 428, 535, 539-541
CPC G03B 17/02; G03B 19/04; G03B 17/56; G03B 17/04; G03B 15/03; H04N 2101/00; H04N 2007/145; H04N 7/141; H04N 7/142; H04N 7/147; H04N 7/148; H04N 7/15; H04N 7/152

See application file for complete search history.

OTHER PUBLICATIONS

Disclosure made in MWC Shanghai 2016 Expo on Jun. 29, 2016, which does not qualify as prior art under AIA 35 U.S.C. 102(b)(1)(A).

Primary Examiner — Philip S Hyder

Assistant Examiner — Ramzi S Almatrahi

(74) *Attorney, Agent, or Firm* — Novick, Kim & Lee, PLLC; Sang Ho Lee

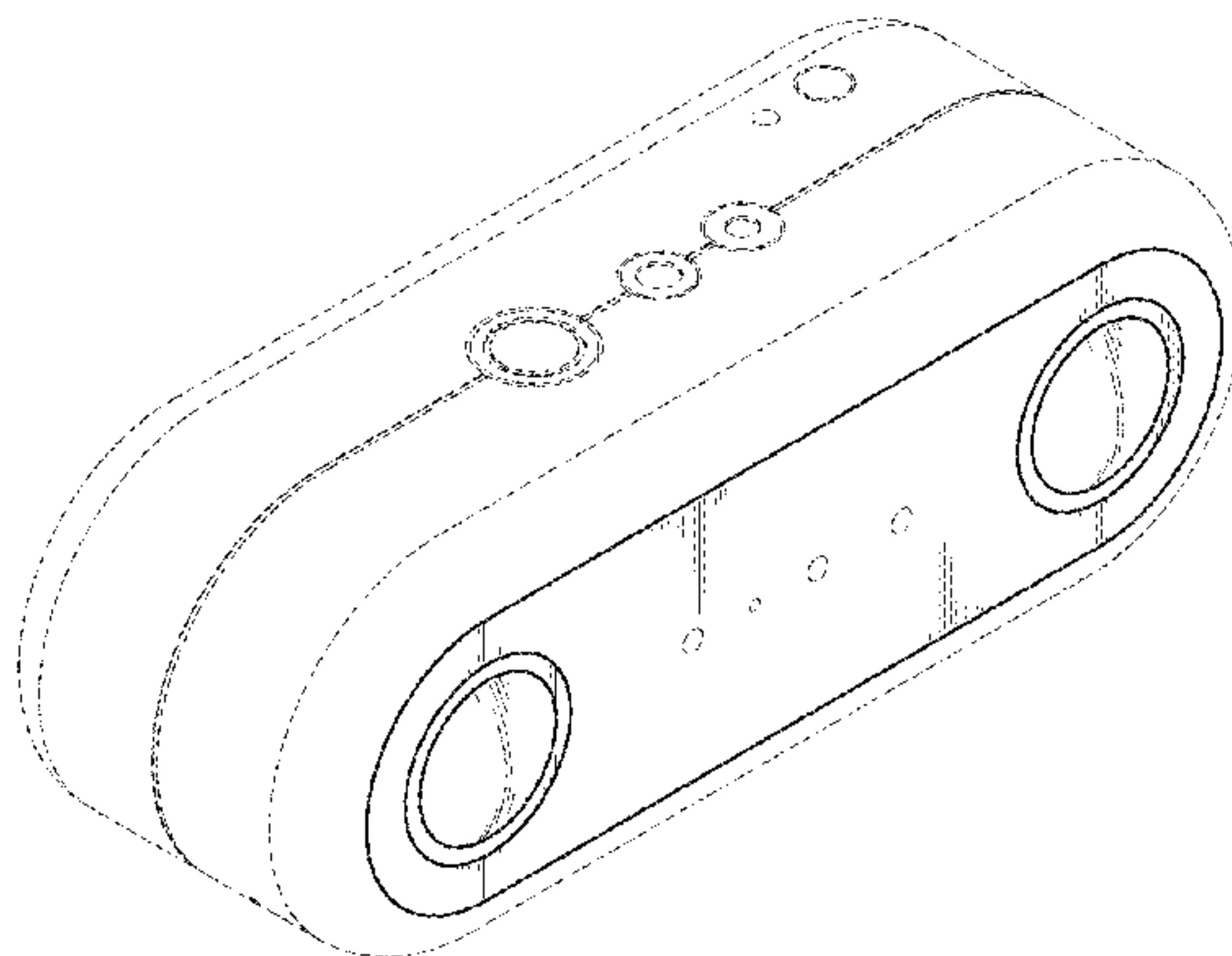
(57) **CLAIM**

The ornamental design for a camera, as shown and described.

DESCRIPTION

FIG. 1 is a front perspective view of a camera, showing my new design;
 FIG. 2 is a front elevational view thereof;
 FIG. 3 is a rear elevational view thereof;
 FIG. 4 is a left side elevational view thereof;
 FIG. 5 is a right side elevational view thereof;
 FIG. 6 is a top plan view thereof; and,
 FIG. 7 is a bottom plan view thereof.
 The broken lines depict portions of the camera in which the design is embodied that form no part of the claimed design.

1 Claim, 4 Drawing Sheets



(56)

References Cited

U.S. PATENT DOCUMENTS

D722,941 S	2/2015	Oh	
D744,573 S	12/2015	Matsumiya et al.	
D747,386 S	1/2016	Li	
D750,681 S	3/2016	Takami	
D751,622 S	3/2016	Mao et al.	
D759,621 S	6/2016	Maxwell et al.	
D769,345 S *	10/2016	Hinkel	D16/203
D769,956 S	10/2016	Hinkel	
D772,967 S *	11/2016	Hinkel	D16/203
D775,679 S	1/2017	Klein	
D795,940 S *	8/2017	Huang	D16/203
D811,465 S *	2/2018	Nokuo	D16/218

* cited by examiner

FIG. 1

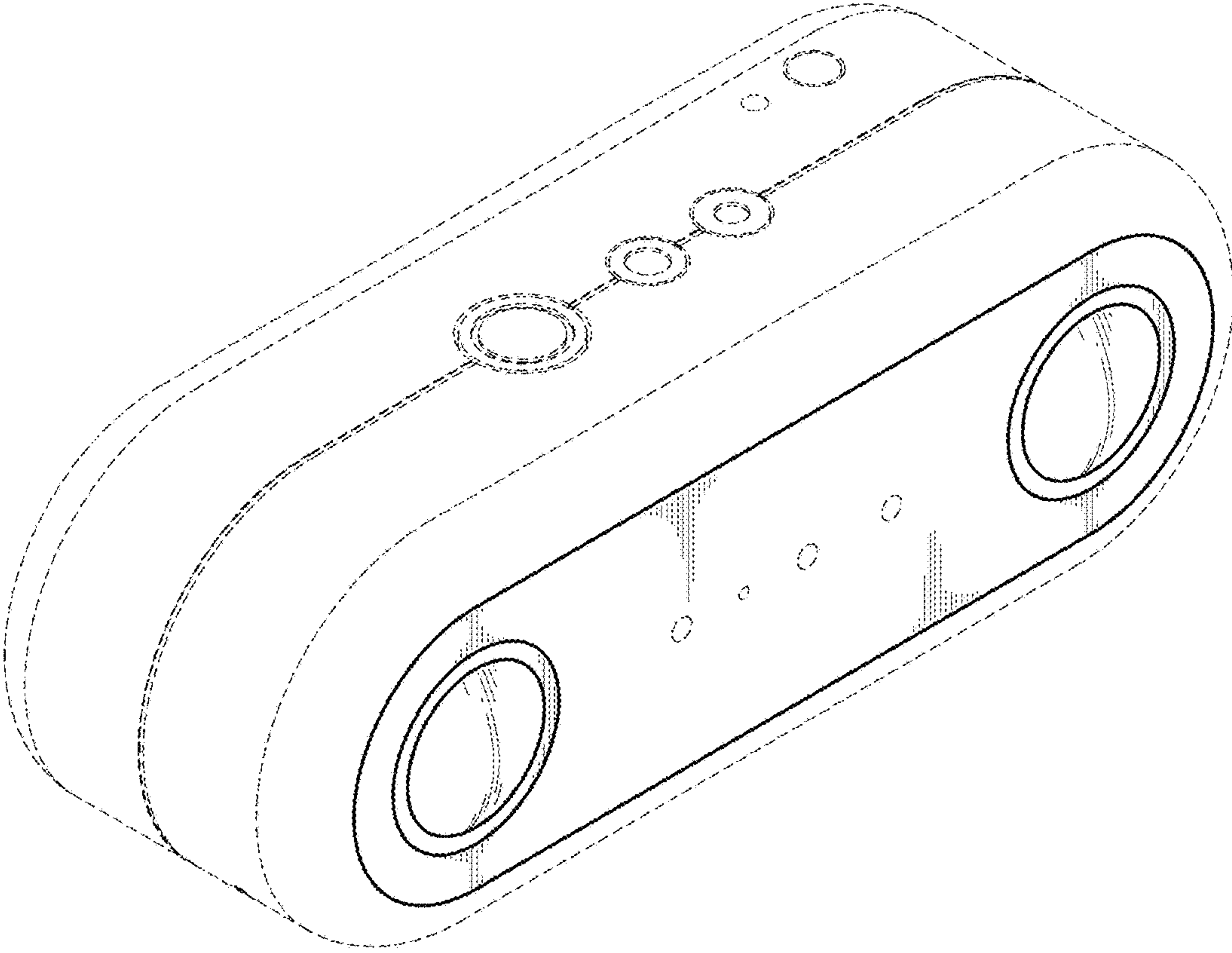


FIG. 2

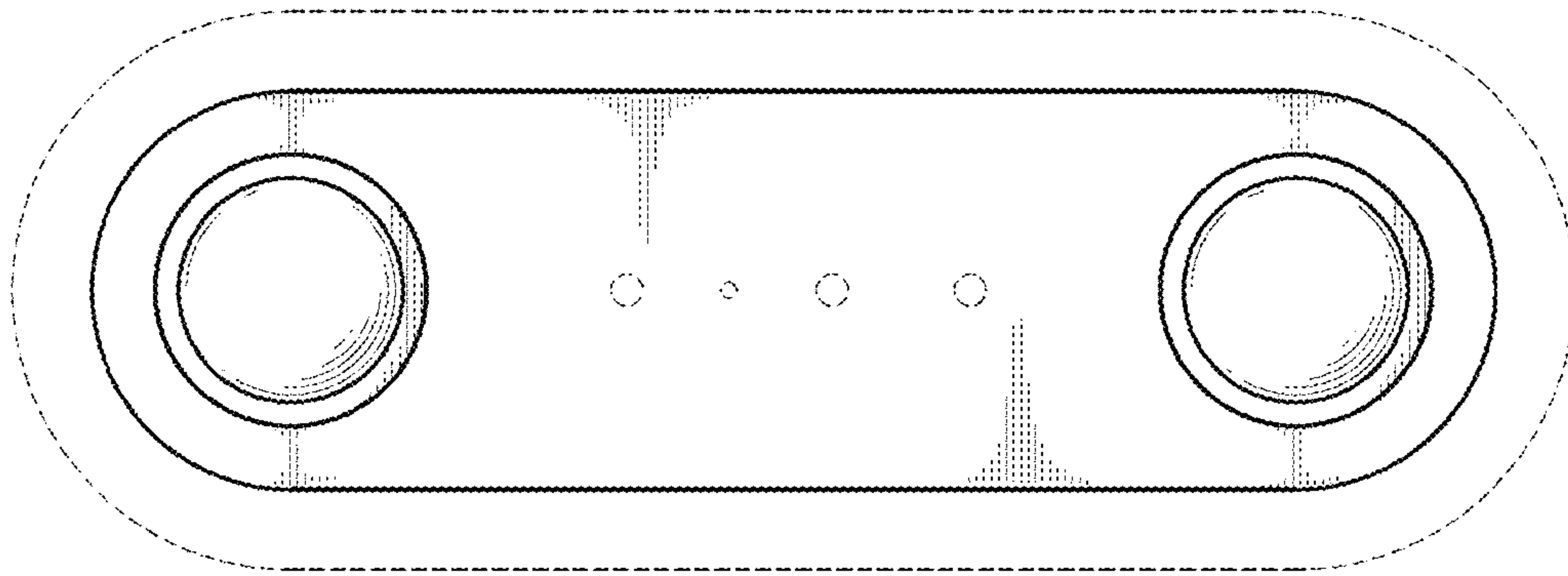


FIG. 3

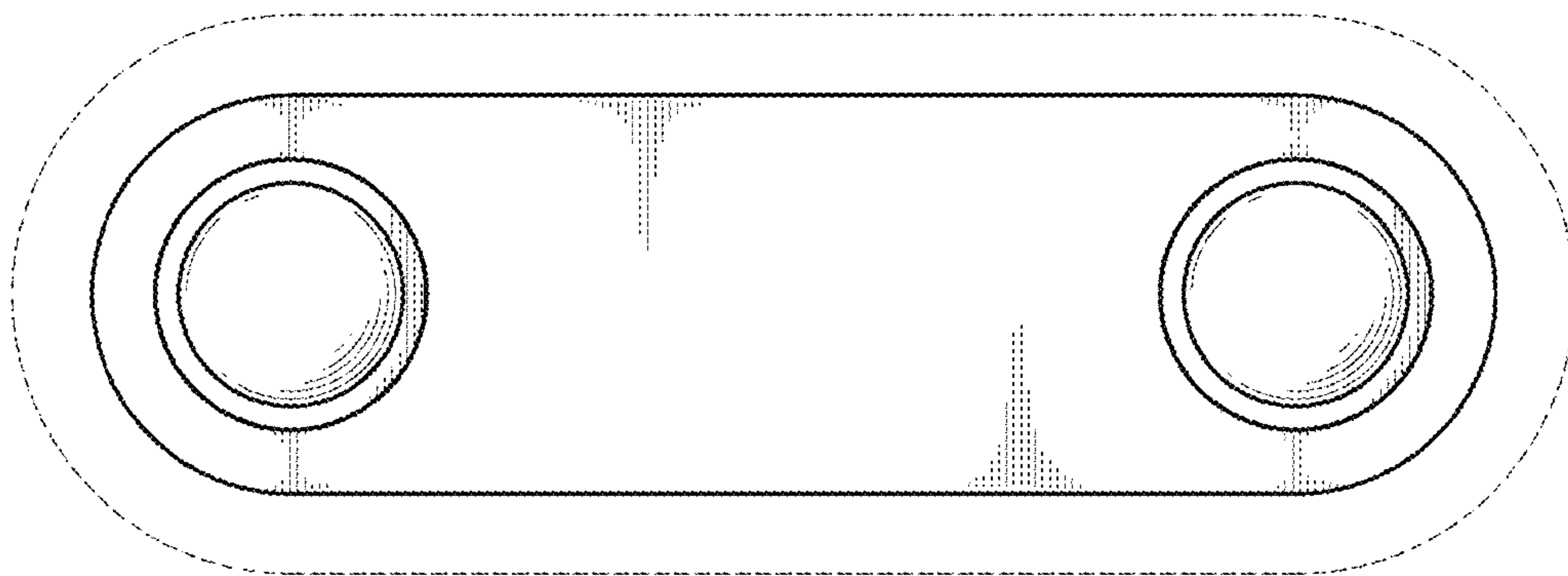


FIG. 4

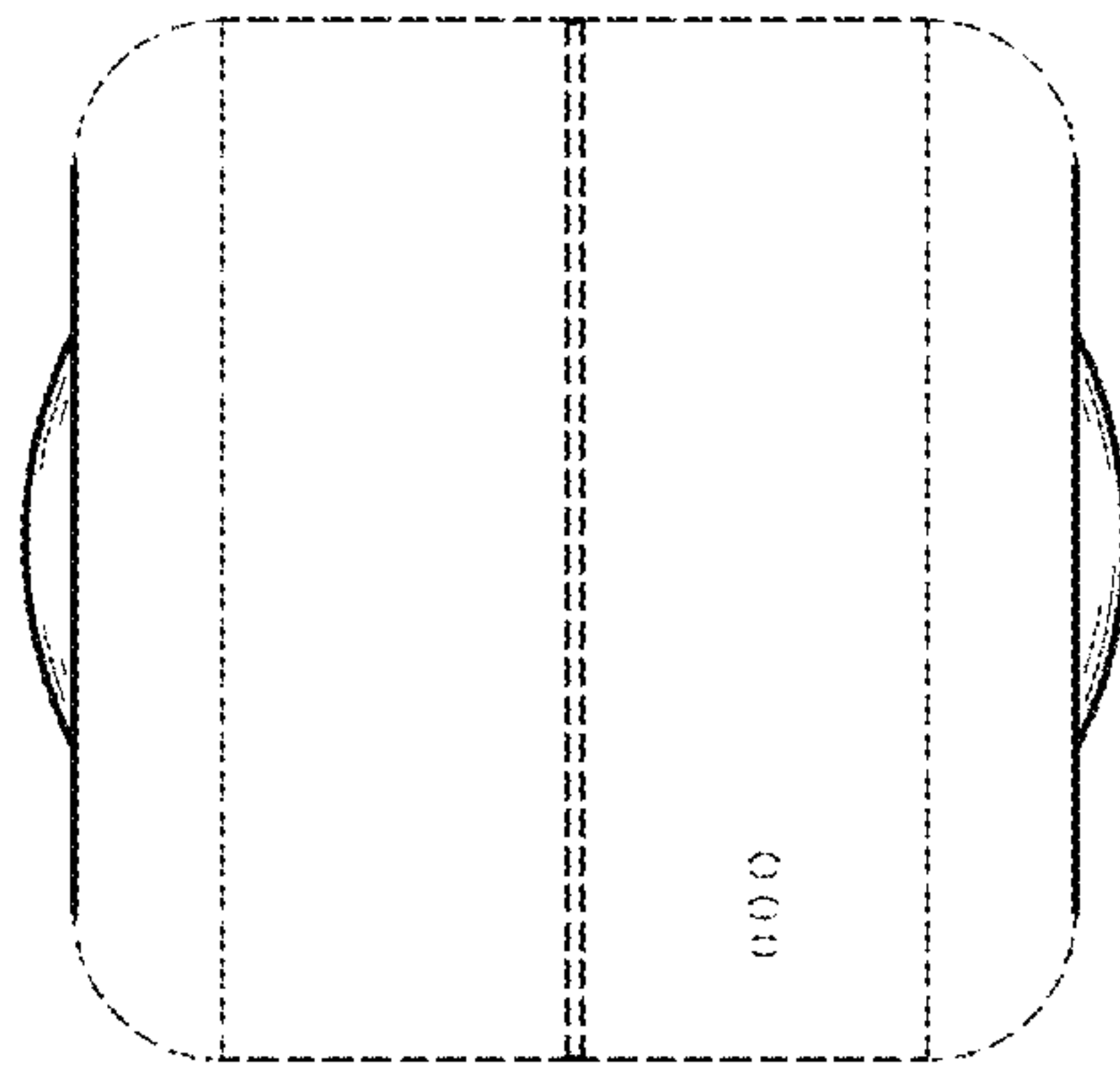


FIG. 5

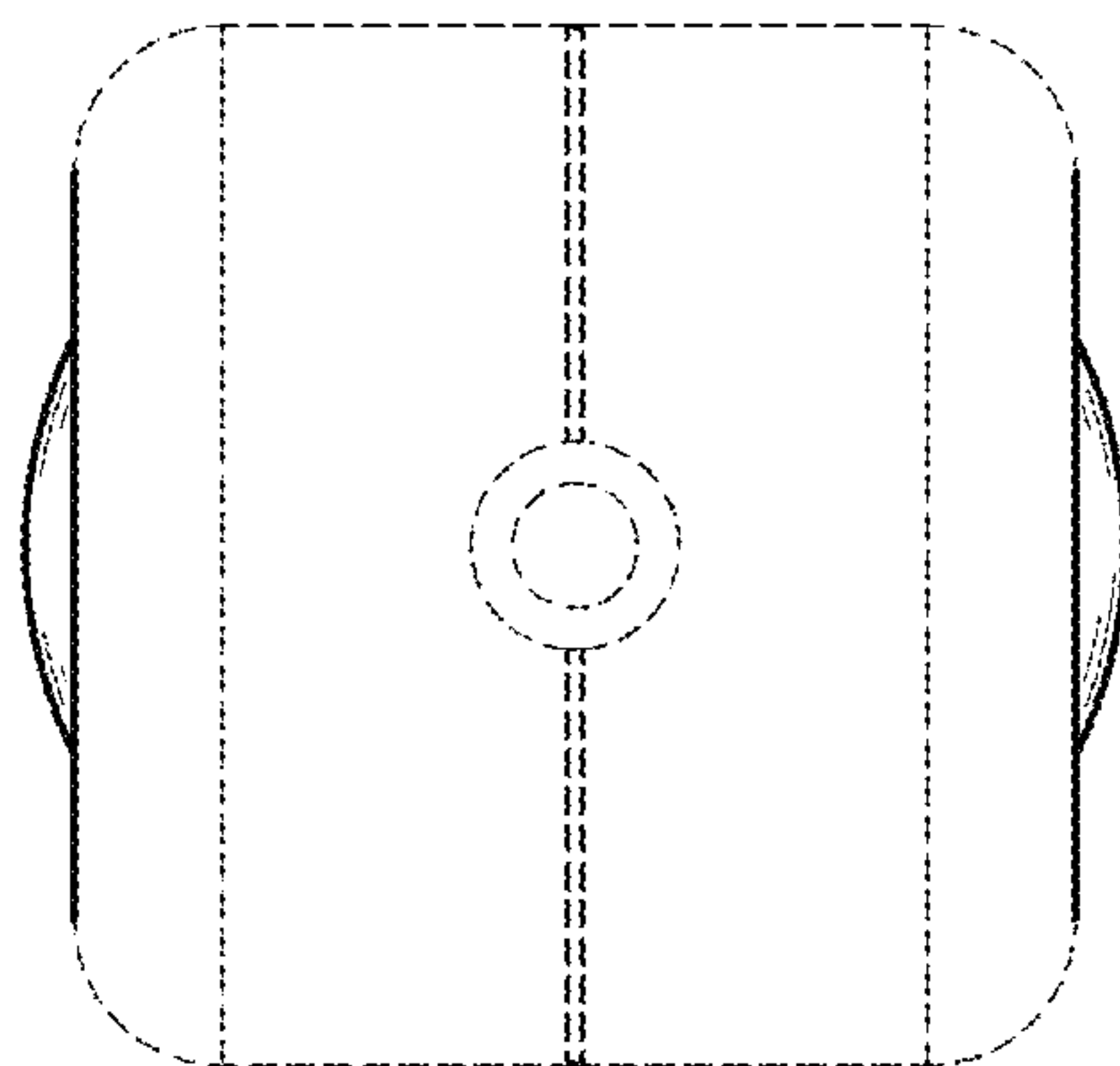


FIG. 6

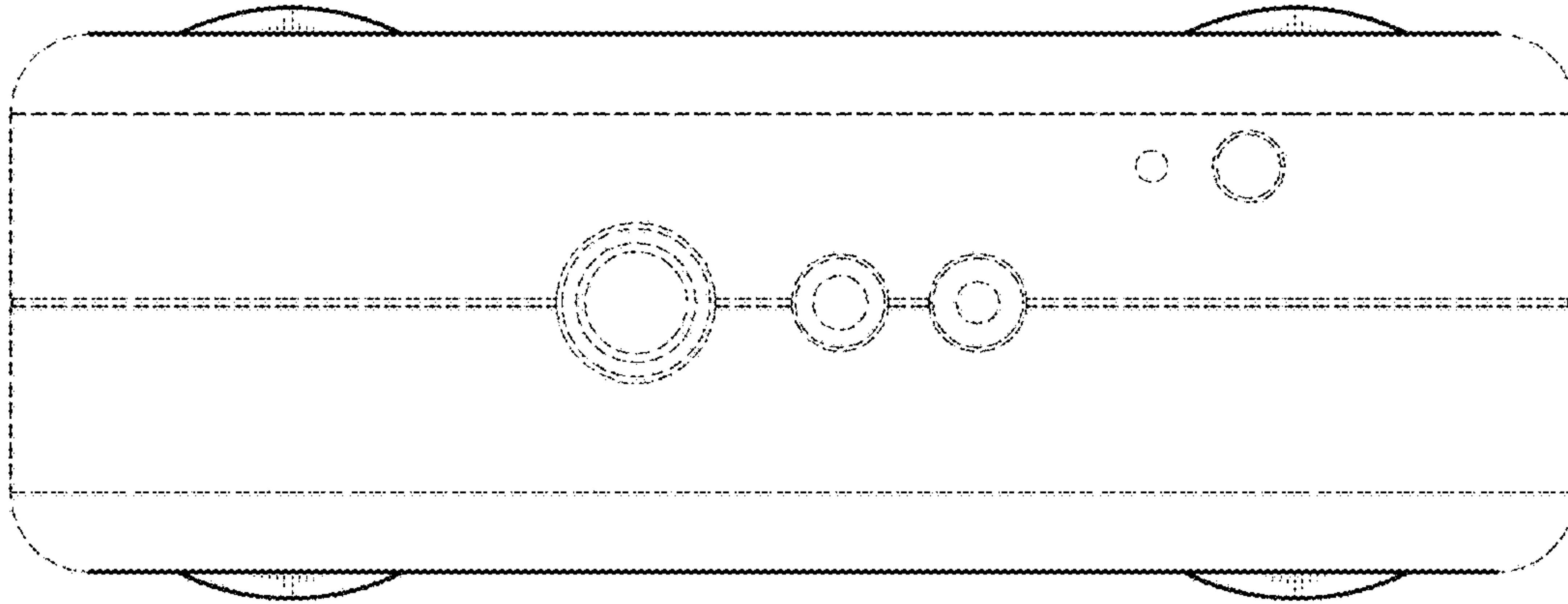


FIG. 7

