



US00D835700S

(12) **United States Design Patent** (10) **Patent No.:** **US D835,700 S**
Iritani et al. (45) **Date of Patent:** **** Dec. 11, 2018**

(54) **HOUSING FOR MONITORING CAMERA**

(71) Applicant: **Konica Minolta, Inc.**, Chiyoda-ku, Tokyo (JP)

(72) Inventors: **Yu Iritani**, Tokyo (JP); **Hideki Tsubokura**, Osaka (JP)

(73) Assignee: **KONICA MINOLTA, INC.**, Chiyoda-Ku, Tokyo (JP)

(**) Term: **15 Years**

(21) Appl. No.: **29/590,391**

(22) Filed: **Jan. 10, 2017**

(30) **Foreign Application Priority Data**

Jul. 14, 2016 (JP) 2016-015089

Jul. 14, 2016 (JP) 2016-015090

(51) **LOC (11) Cl.** **16-05**

(52) **U.S. Cl.**
USPC **D16/219**

(58) **Field of Classification Search**
USPC D16/200, 202–206, 208–209, 212, 218, D16/219; 348/373–376; 396/287, 535, 396/539–541
CPC G03B 15/03; G03B 17/02; G03B 17/04; G03B 17/56; G03B 19/04; H04N 5/2251; H04N 5/2252; H04N 5/2253; H04N 5/2254; H04N 2101/00
See application file for complete search history.

(56) **References Cited**

U.S. PATENT DOCUMENTS

D157,847 S * 3/1950 Dreyfuss D16/210
D182,083 S * 2/1958 Richartz D16/207

D188,921 S * 9/1960 Ronvik D16/207
D421,268 S * 2/2000 Watanabe 396/353
D564,562 S * 3/2008 Honma D16/200
D684,205 S * 6/2013 Wu D16/207
D724,641 S * 3/2015 Cho D16/202
D785,070 S * 4/2017 Mistry D16/207
D792,496 S * 7/2017 Meyer D16/207
D795,940 S * 8/2017 Huang D16/203
D810,168 S * 2/2018 Shi D16/202
D810,803 S * 2/2018 Suzuki D16/202
D819,105 S * 5/2018 Kitade D16/202

* cited by examiner

Primary Examiner — Philip S Hyder

Assistant Examiner — Ramzi S Almatrahi

(74) *Attorney, Agent, or Firm* — Buchanan Ingersoll & Rooney PC

(57) **CLAIM**

The ornamental design for a housing for monitoring camera, as shown and described.

DESCRIPTION

FIG. 1 is a front elevation view of a housing for monitoring camera showing our new design;
FIG. 2 is a back elevation view thereof;
FIG. 3 is a top plan view thereof;
FIG. 4 is a bottom plan view thereof;
FIG. 5 is a right side elevation view thereof;
FIG. 6 is a left side elevation view thereof;
FIG. 7 is a top, front and right side perspective view thereof;
and,
FIG. 8 is a top, front and left side perspective view thereof.
The broken lines depict portions of the housing for monitoring camera in which the design is embodied that form no part of the claimed design.

1 Claim, 6 Drawing Sheets

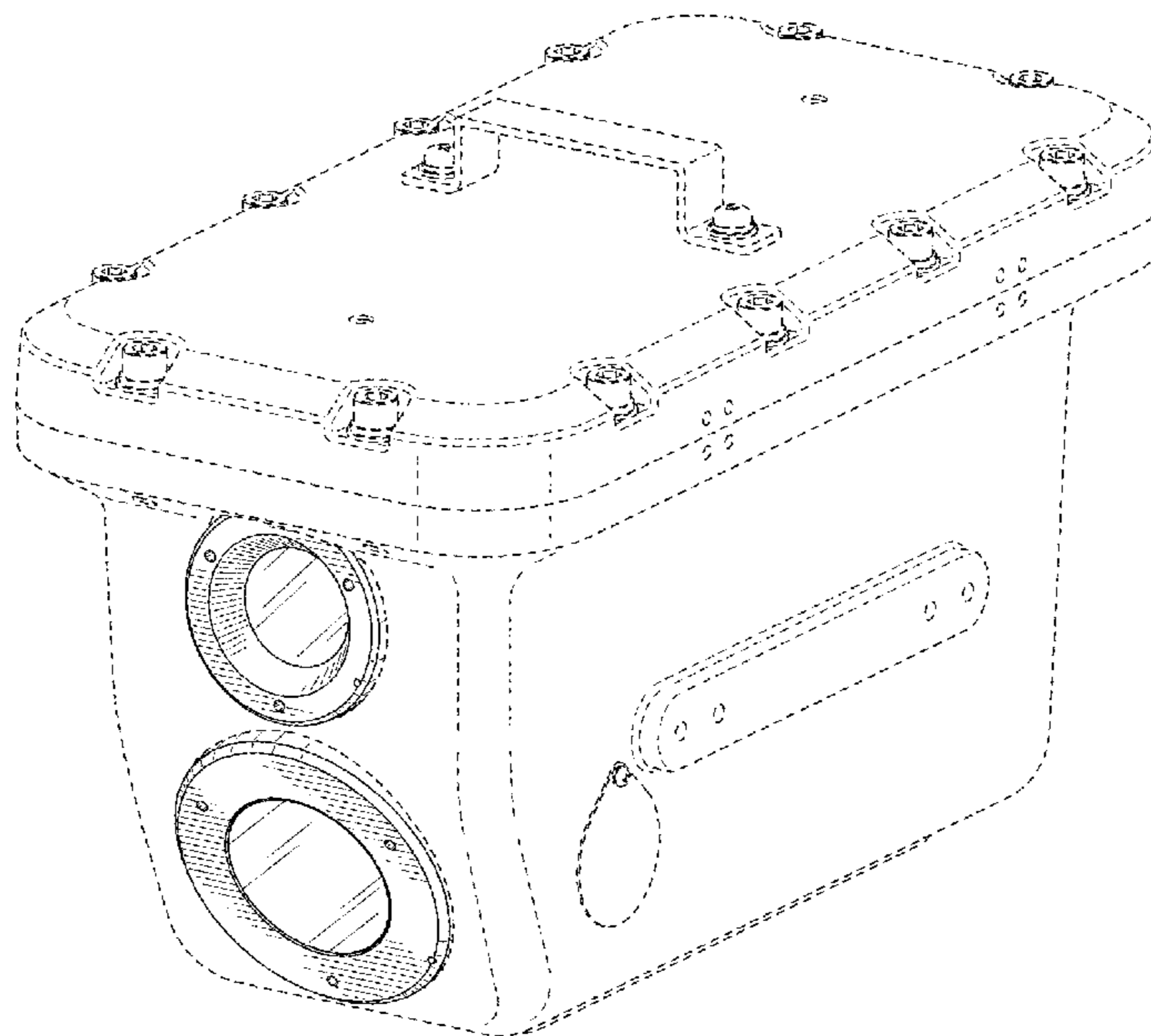


FIG. 1

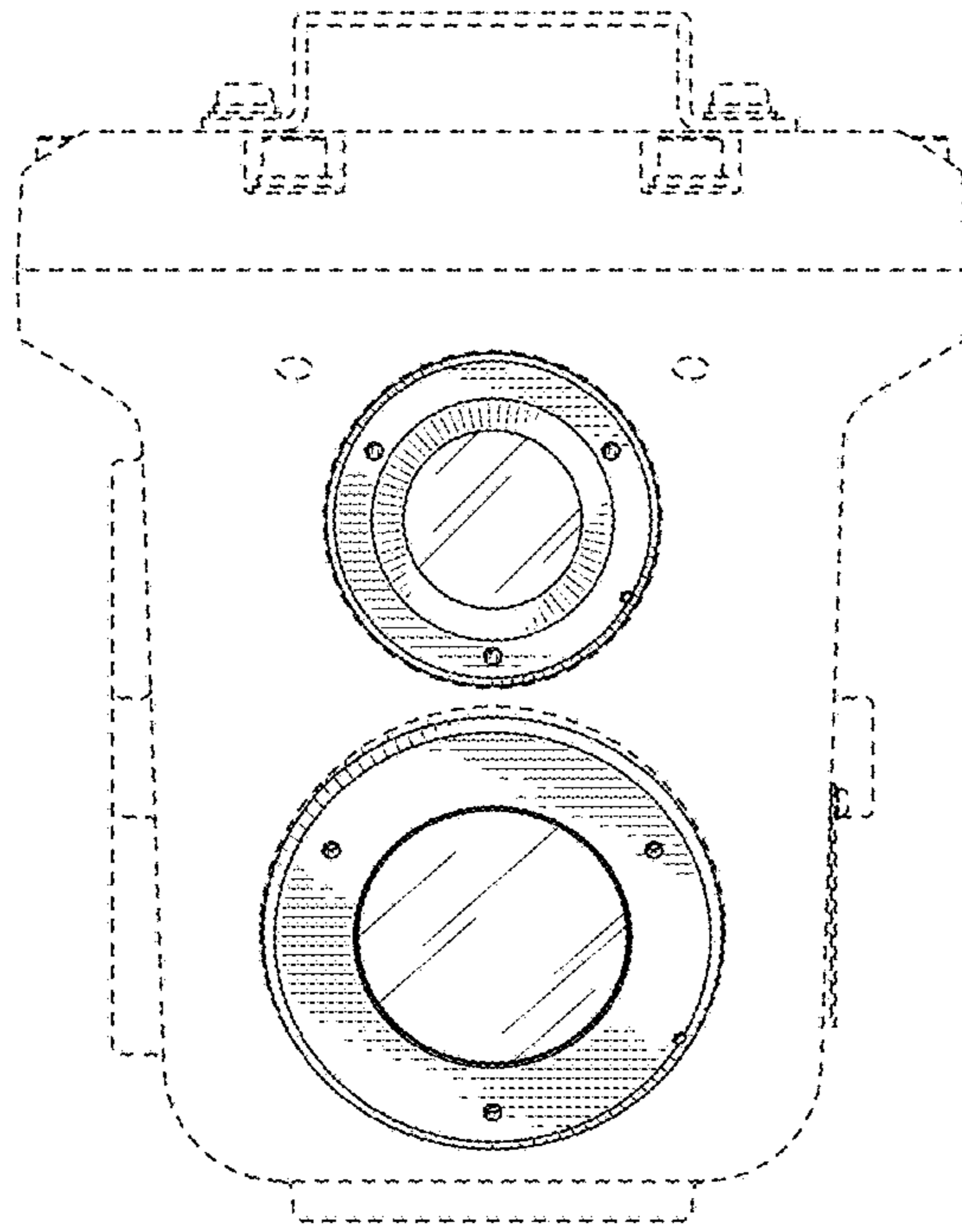


FIG. 2

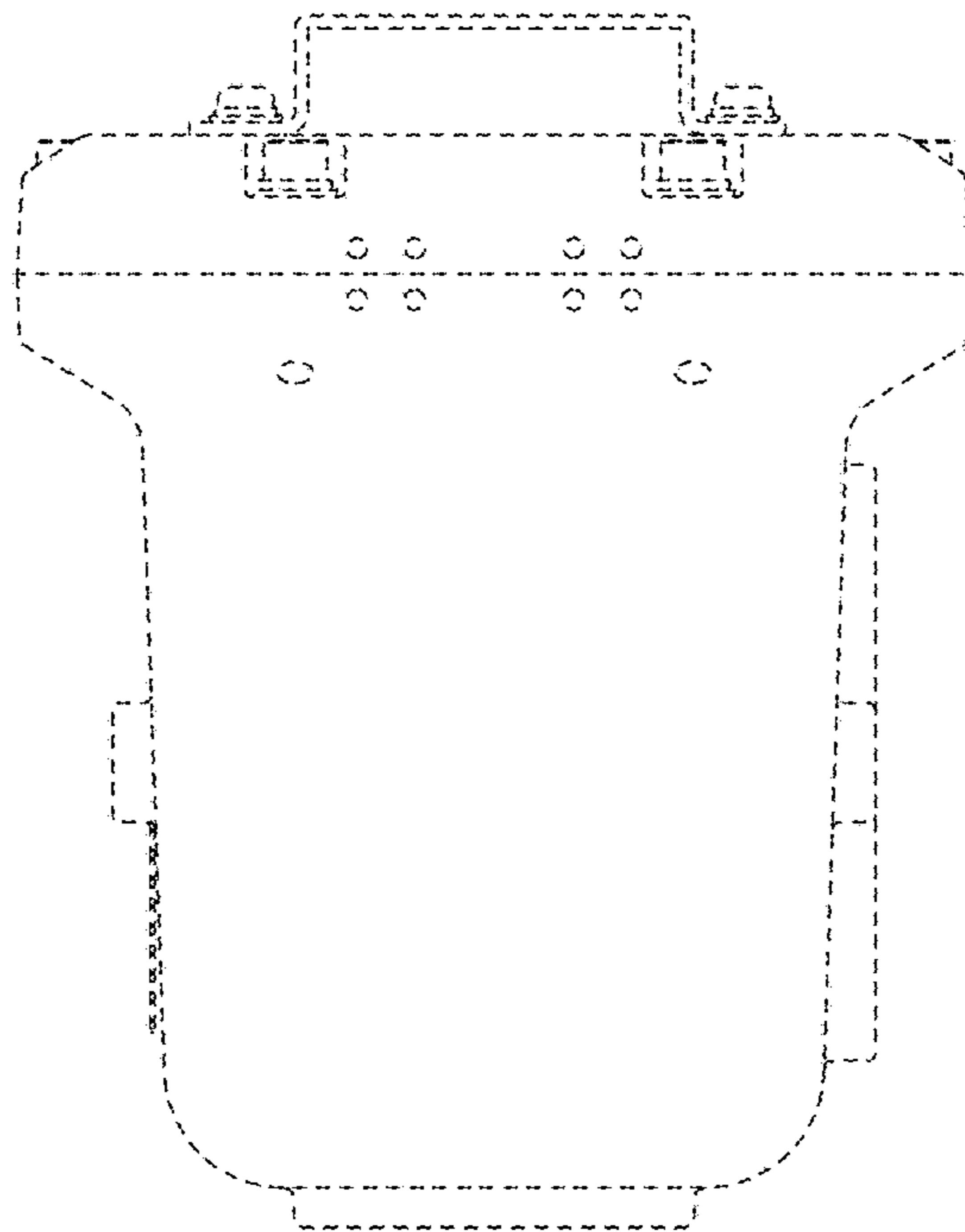


FIG. 3

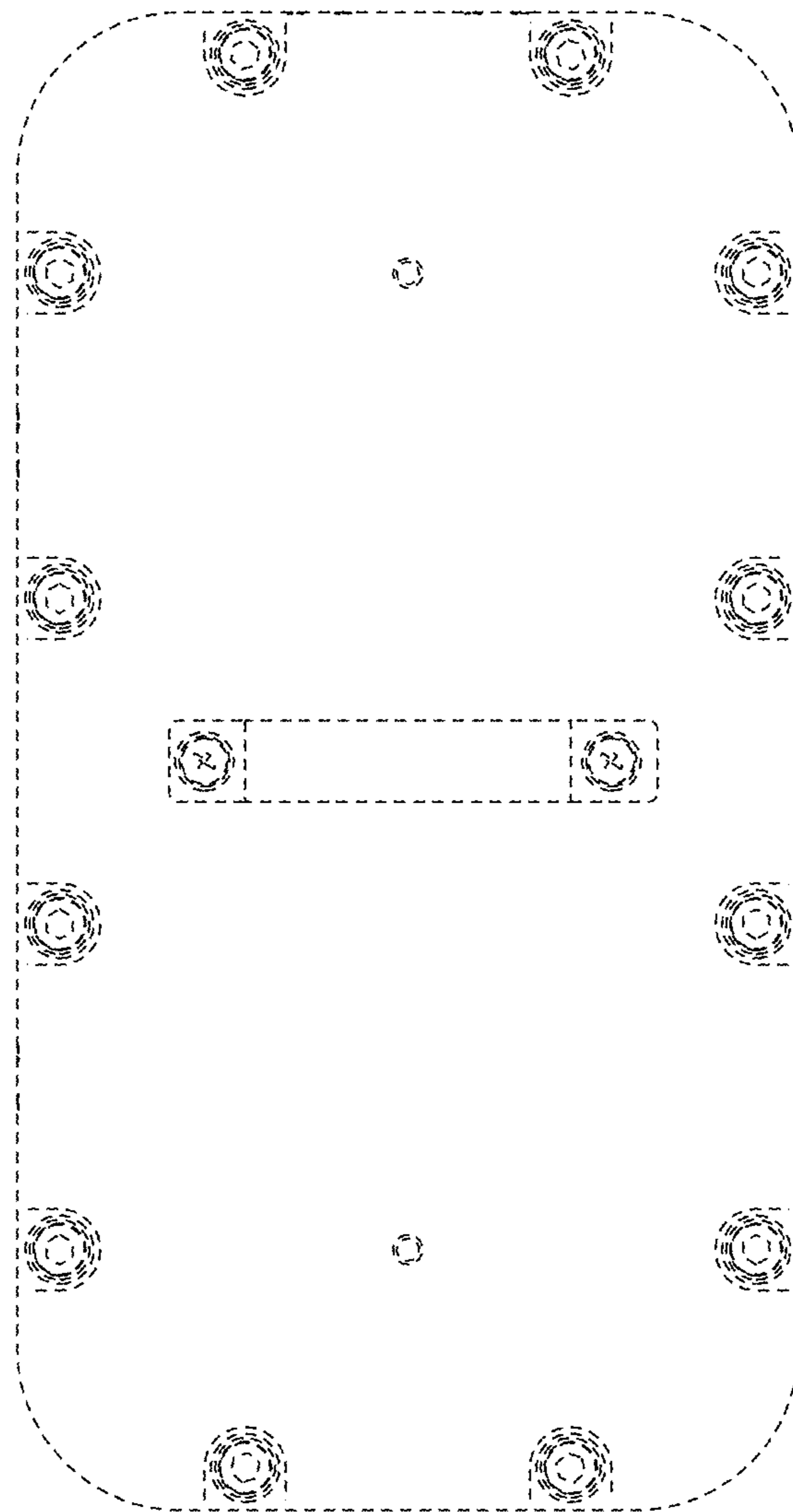


FIG. 4

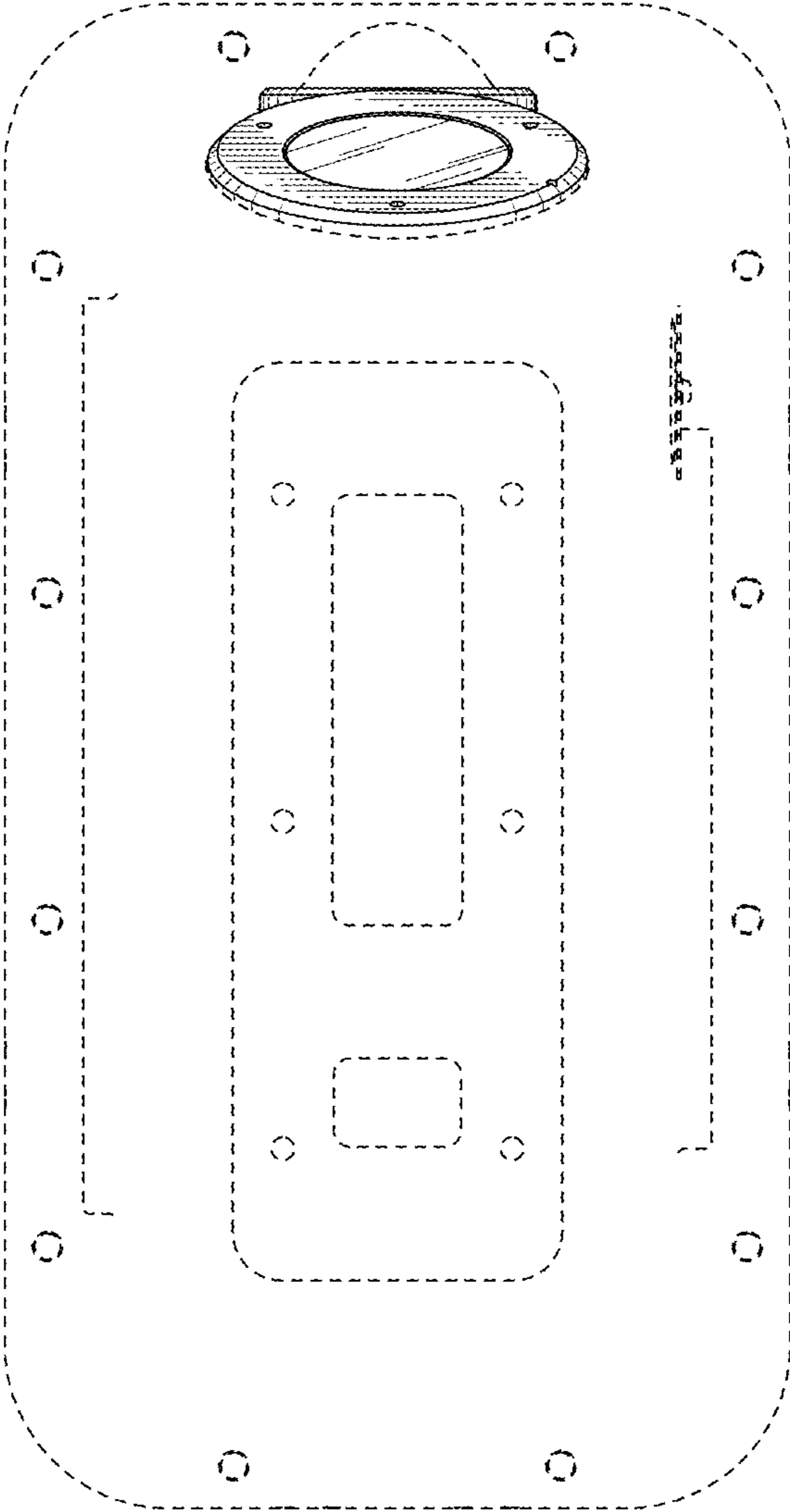


FIG. 5

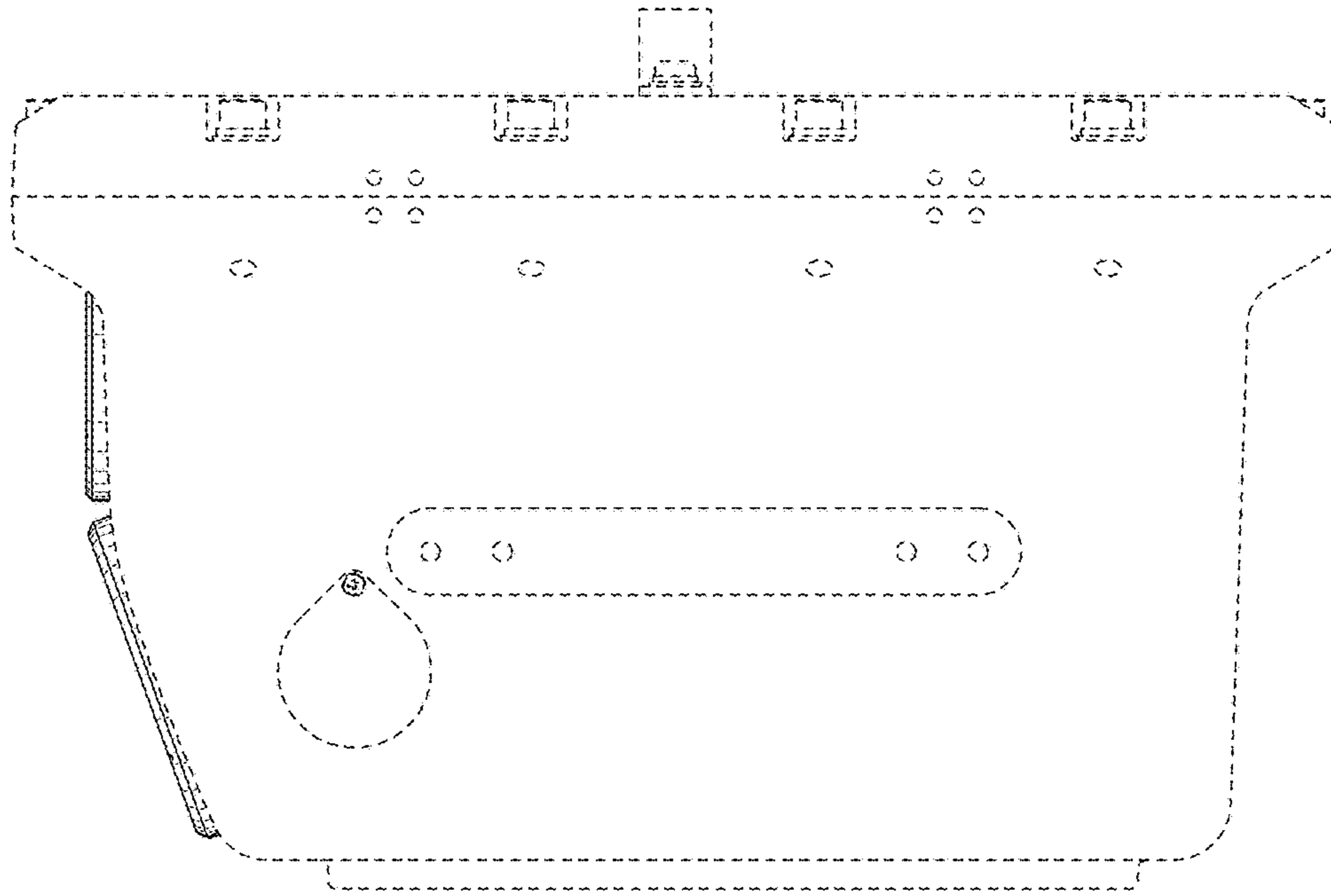


FIG. 6

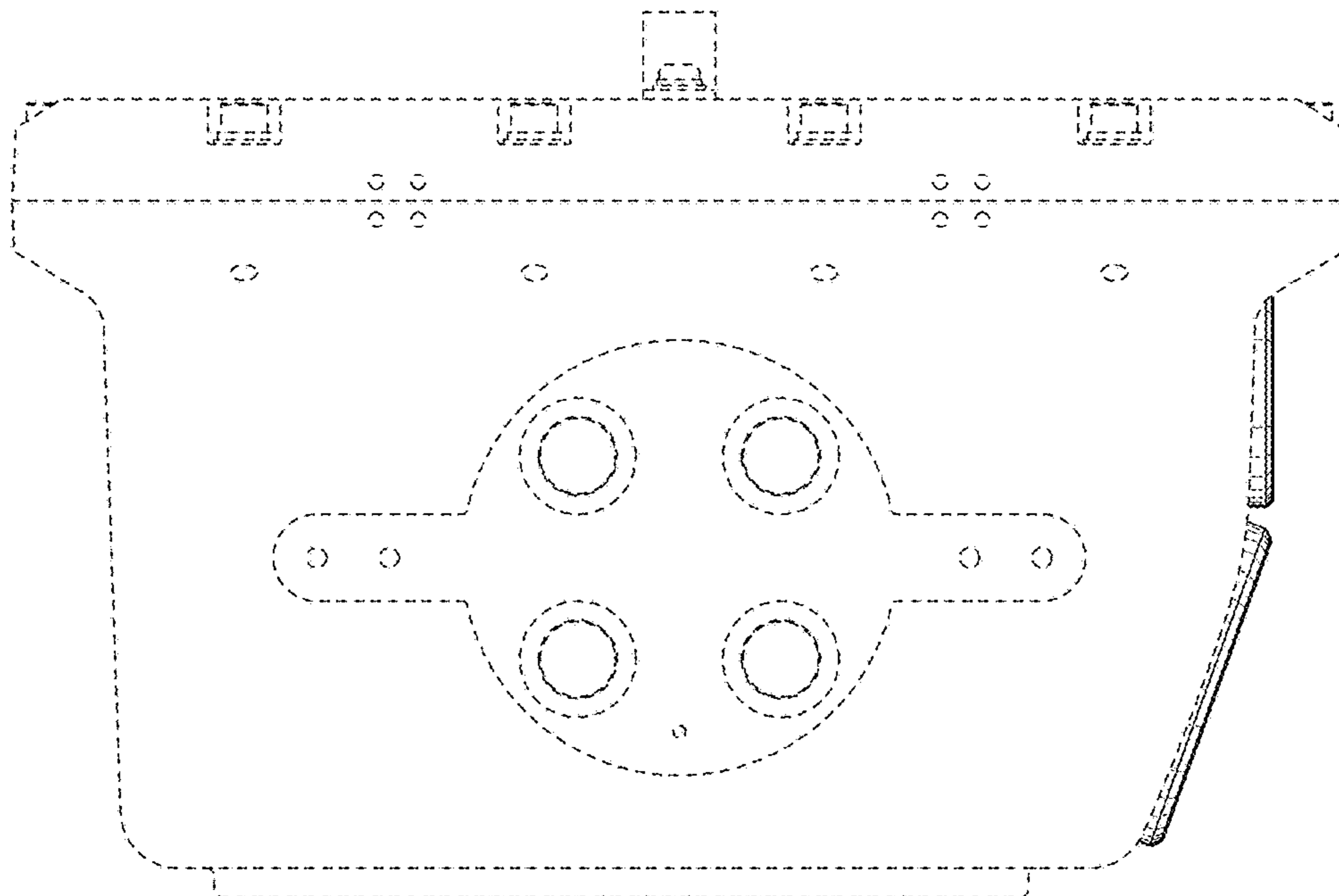


FIG. 7

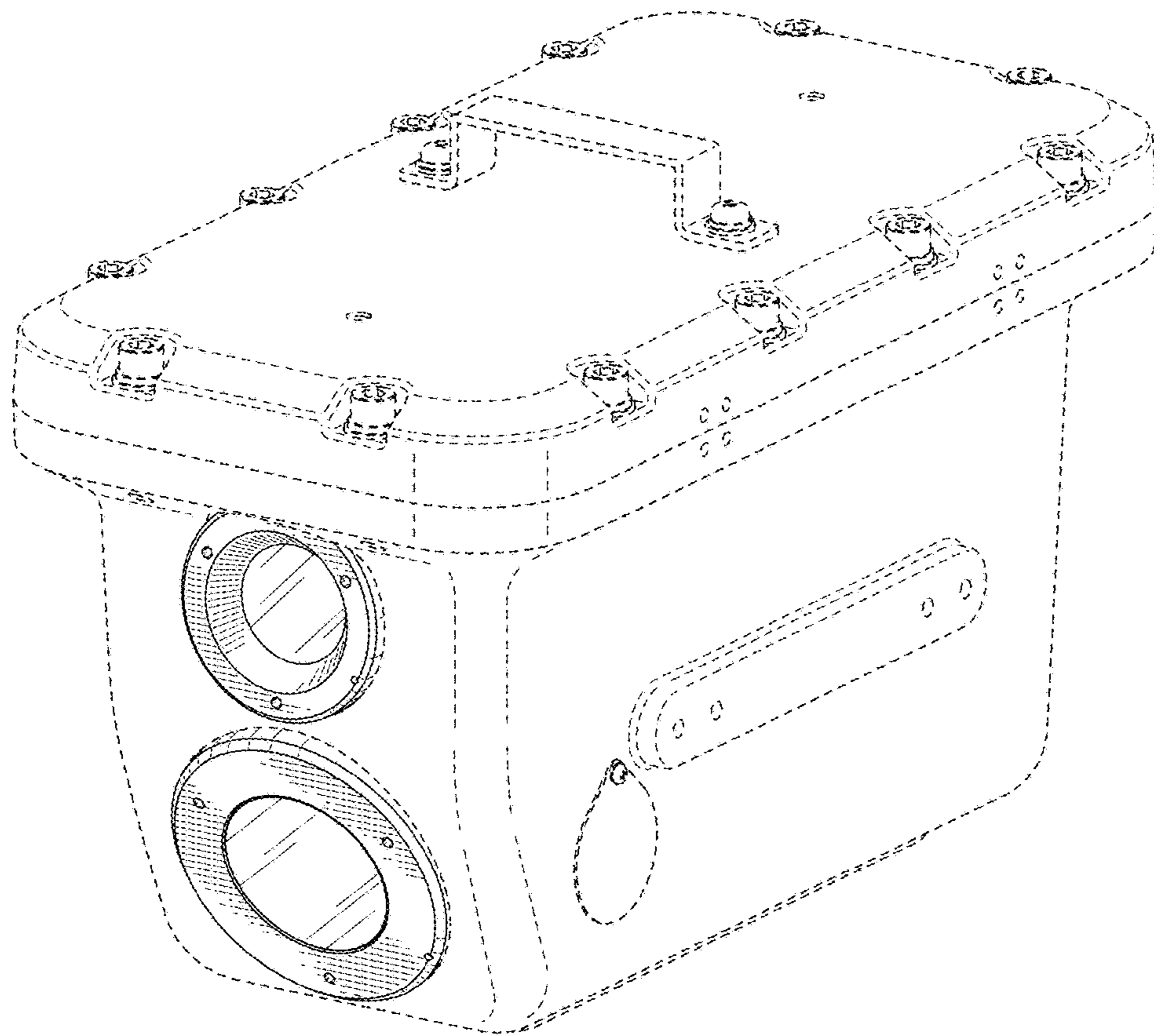


FIG. 8

