



US00D835698S

(12) **United States Design Patent** (10) **Patent No.:** **US D835,698 S**
Darty et al. (45) **Date of Patent:** **** Dec. 11, 2018**

(54) **CASING FOR A PORTABLE IMAGER**

(71) Applicant: **Hypermed Imaging, Inc.**, Memphis, TN (US)

(72) Inventors: **Mark Anthony Darty**, Collierville, TN (US); **Michael Paloian**, Cold Spring Harbor, NY (US); **Anthony Orchard**, Wantagh, NY (US)

(73) Assignee: **Hypermed Imaging, Inc.**, Memphis, TN (US)

(**) Term: **15 Years**

(21) Appl. No.: **29/562,960**

(22) Filed: **Apr. 29, 2016**

Related U.S. Application Data

(62) Division of application No. 29/511,465, filed on Dec. 10, 2014, now Pat. No. Des. 758,468.

(51) **LOC (11) Cl.** **16-01**

(52) **U.S. Cl.**
USPC **D16/206**

(58) **Field of Classification Search**
USPC D16/200, 202–206, 208, 218, 219;
D21/514; 348/164, 347, 373–376;
396/535, 539–541; 250/330, 332

(Continued)

(56) **References Cited**

U.S. PATENT DOCUMENTS

D186,831 S 12/1959 Miyauchi
D222,297 S * 10/1971 Walstrom D16/218
(Continued)

OTHER PUBLICATIONS

U.S. Appl. No. 29/511,465, U.S. Pat. No. D758,468, Granted, United States of America, filed Dec. 10, 2014, Issue date Jun. 7, 2016.

(Continued)

Primary Examiner — Philip S Hyder

Assistant Examiner — Ramzi A Almatrahi

(74) *Attorney, Agent, or Firm* — Morgan, Lewis & Bockius LLP

(57) **CLAIM**

The ornamental design for a casing for a portable imager, as shown and described.

DESCRIPTION

FIG. 1 is a top and front perspective view of a first embodiment of a casing for a portable imager showing our new design;

FIG. 2 is a bottom and rear perspective view of the design of FIG. 1;

FIG. 3 is a front view of the design of FIG. 1;

FIG. 4 is a rear view of the design of FIG. 1;

FIG. 5 is a left side view of the design of FIG. 1;

FIG. 6 is a right side view of the design of FIG. 1;

FIG. 7 is a top view of the design of FIG. 1; and

FIG. 8 is a bottom view of the design of FIG. 1.

FIG. 9 is a top and front perspective view of a second embodiment of a casing for a portable imager showing our new design;

FIG. 10 is a bottom and rear perspective view of the design of FIG. 9;

FIG. 11 is a front view of the design of FIG. 9;

FIG. 12 is a rear view of the design of FIG. 9;

FIG. 13 is a left side view of the design of FIG. 9;

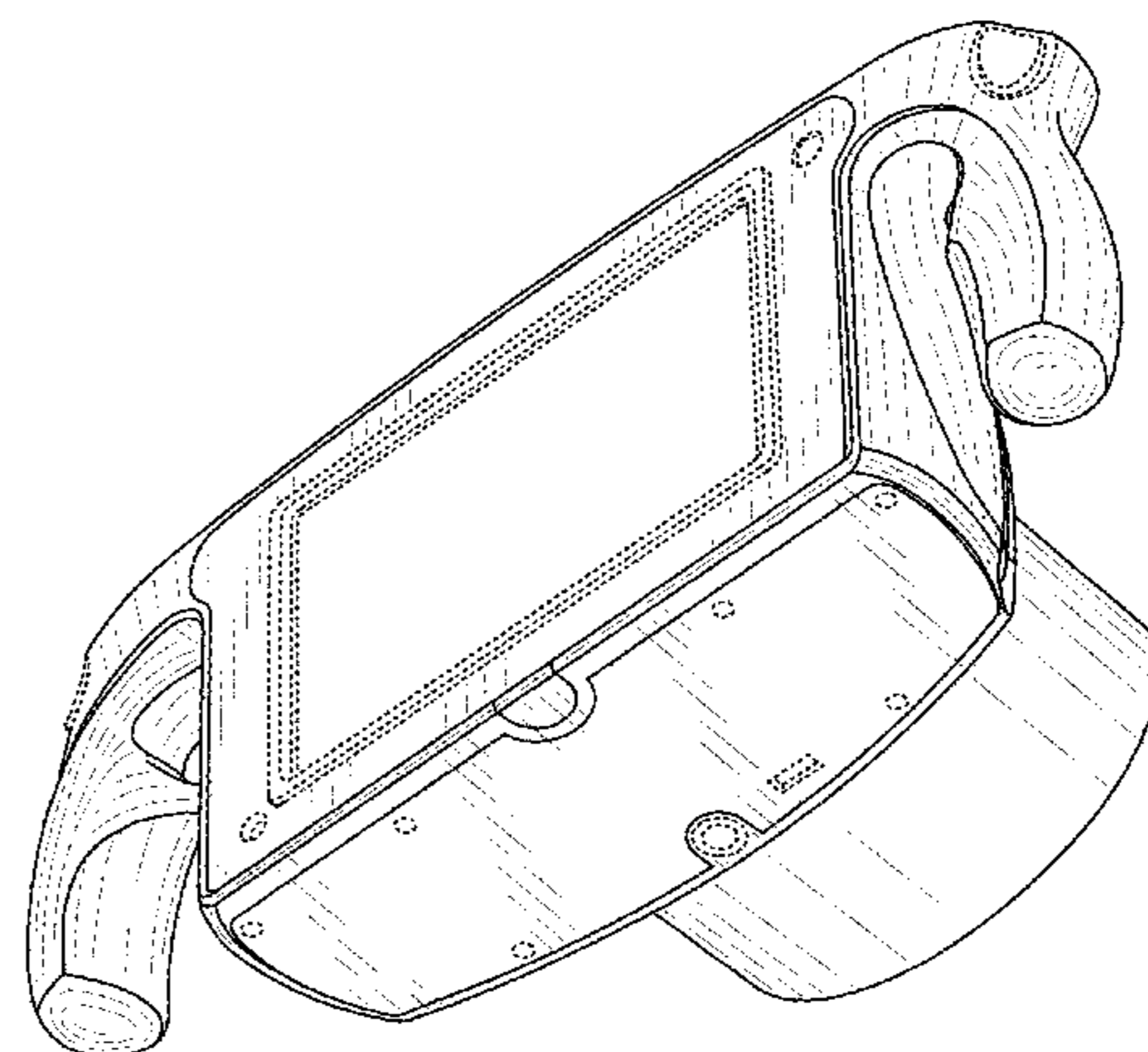
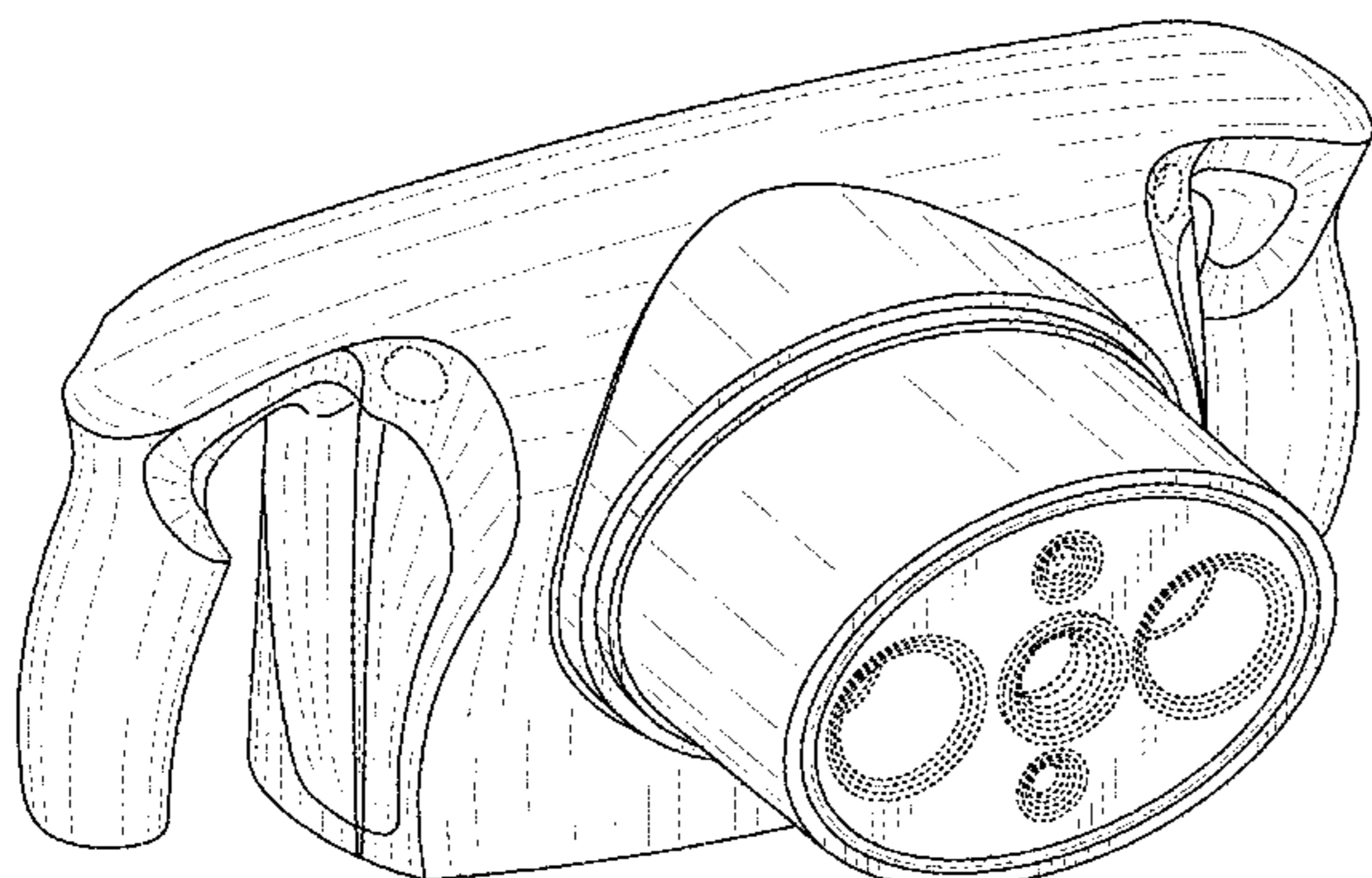
FIG. 14 is a right side view of the design of FIG. 9;

FIG. 15 is a top view of the design of FIG. 9; and

FIG. 16 is a bottom view of the design of FIG. 9.

The broken lines depict portions of a casing for a portable imager in which the design is embodied that form no part of the claimed design.

1 Claim, 16 Drawing Sheets



(58) **Field of Classification Search**

CPC G03B 15/03; G03B 17/02; G03B 17/04;
G03B 17/56; G03B 19/04; H04N 5/2251;
H04N 5/2252; H04N 5/2253; H04N
5/2254; H04N 2101/00; H04N 5/33;
H04N 5/332

See application file for complete search history.

(56) **References Cited**

U.S. PATENT DOCUMENTS

D356,587	S	*	3/1995	Shuler	D16/200
D373,130	S	*	8/1996	Jin	D16/218
D476,352	S	*	6/2003	Takimura	D16/208
D487,485	S	*	3/2004	Niu	D21/514
D579,475	S	*	10/2008	Aronsson	D16/218
D598,038	S	*	8/2009	Takahashi	D16/200
D614,683	S		4/2010	Oikawa		
D616,008	S	*	5/2010	Enervold	D16/218
D699,776	S	*	2/2014	Li	D16/200
D718,801	S	*	12/2014	Zetterlund	D16/218
D726,802	S		4/2015	Cho		
D748,712	S	*	2/2016	Tompkin	D16/218
D753,208	S	*	4/2016	Elrod	D16/208
2015/0271380	A1	*	9/2015	Darty	G01J 3/0294 348/342

OTHER PUBLICATIONS

U.S. Appl. No. 29/562,960, Pending, United States of America, filed
Apr. 29, 2016.

U.S. Appl. No. 35/001,022, Published, United States of America,
filed Jun. 10, 2015, Feb. 12, 2016.

* cited by examiner

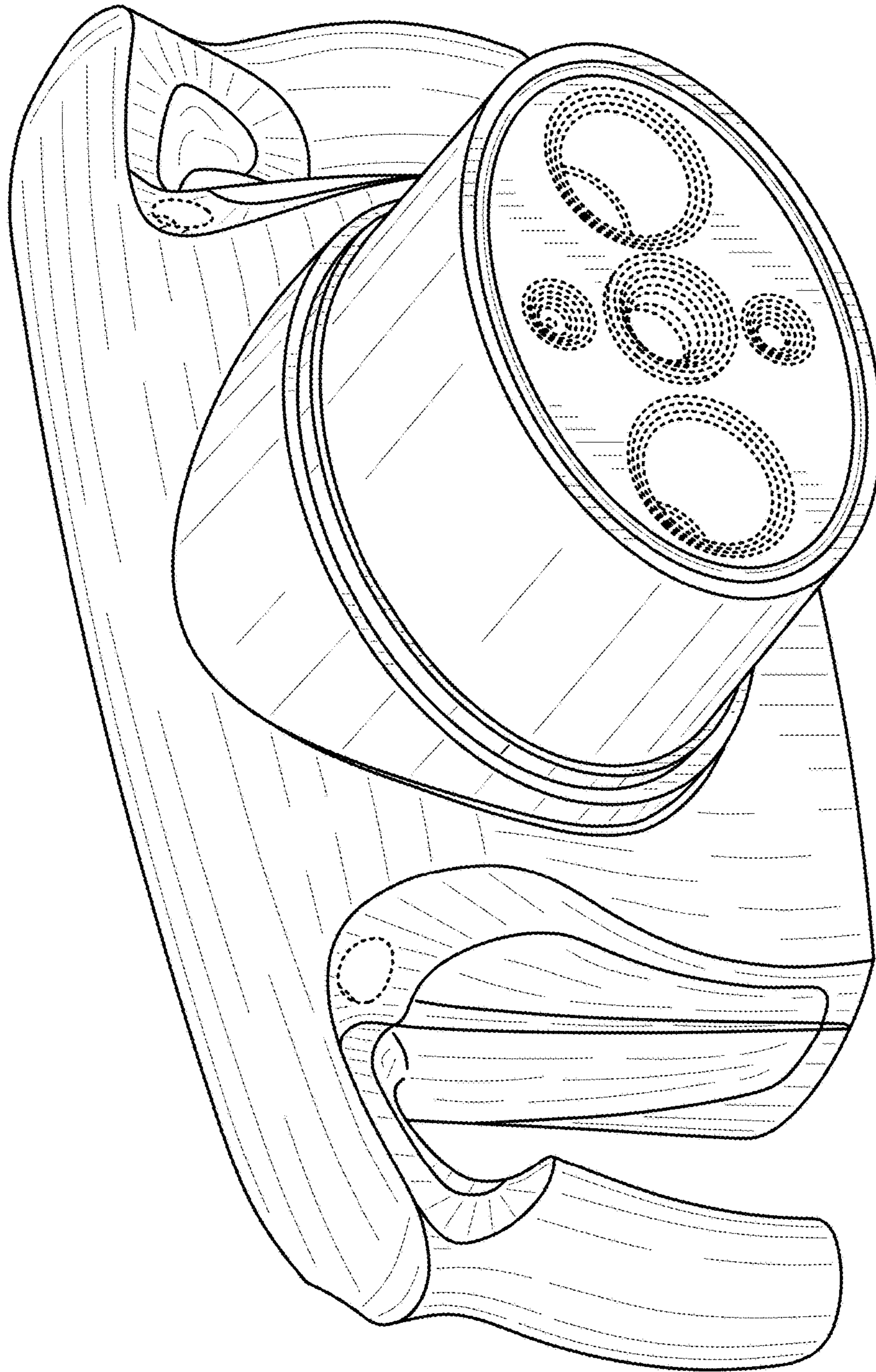


FIG. 1

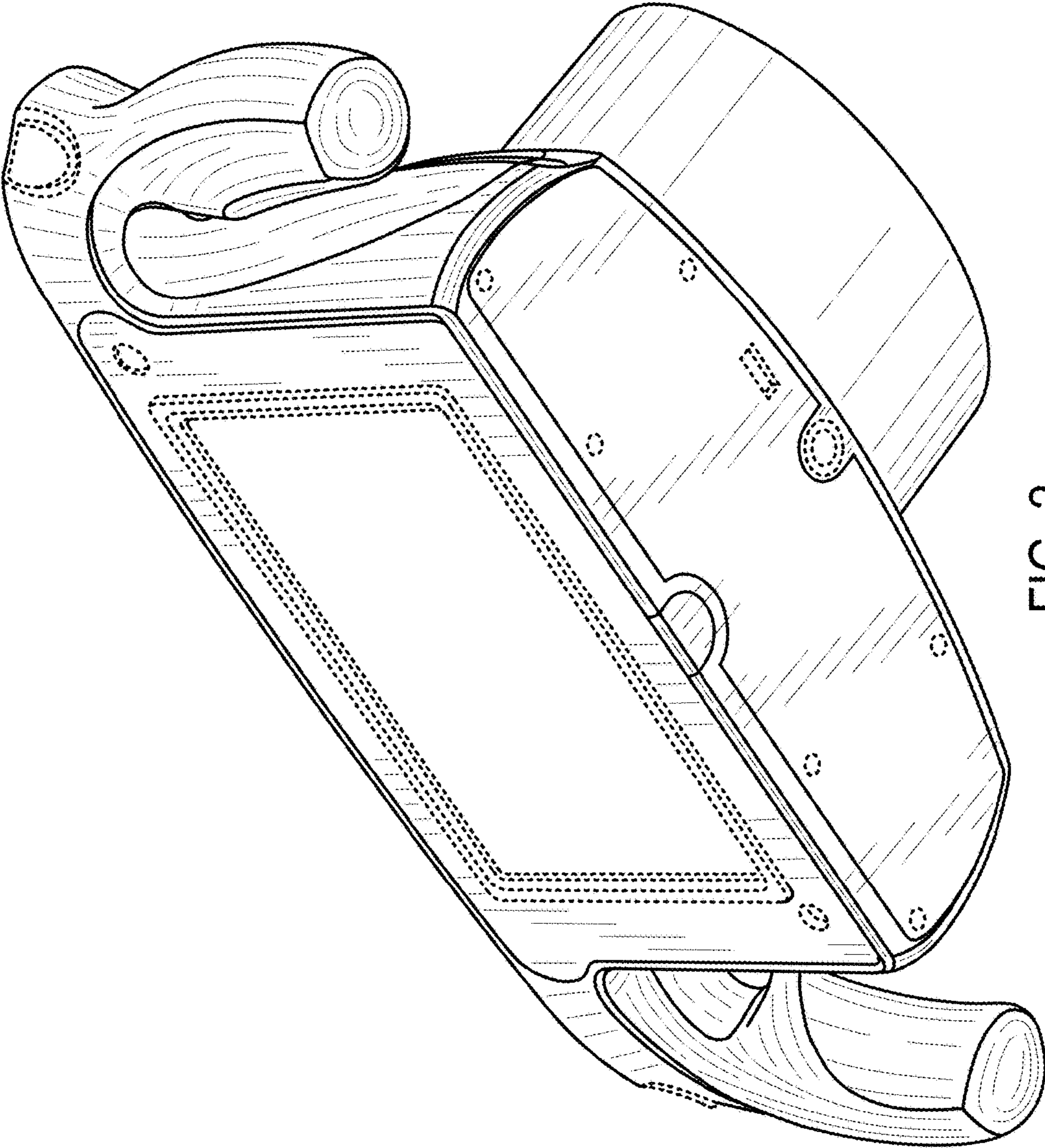


FIG. 2

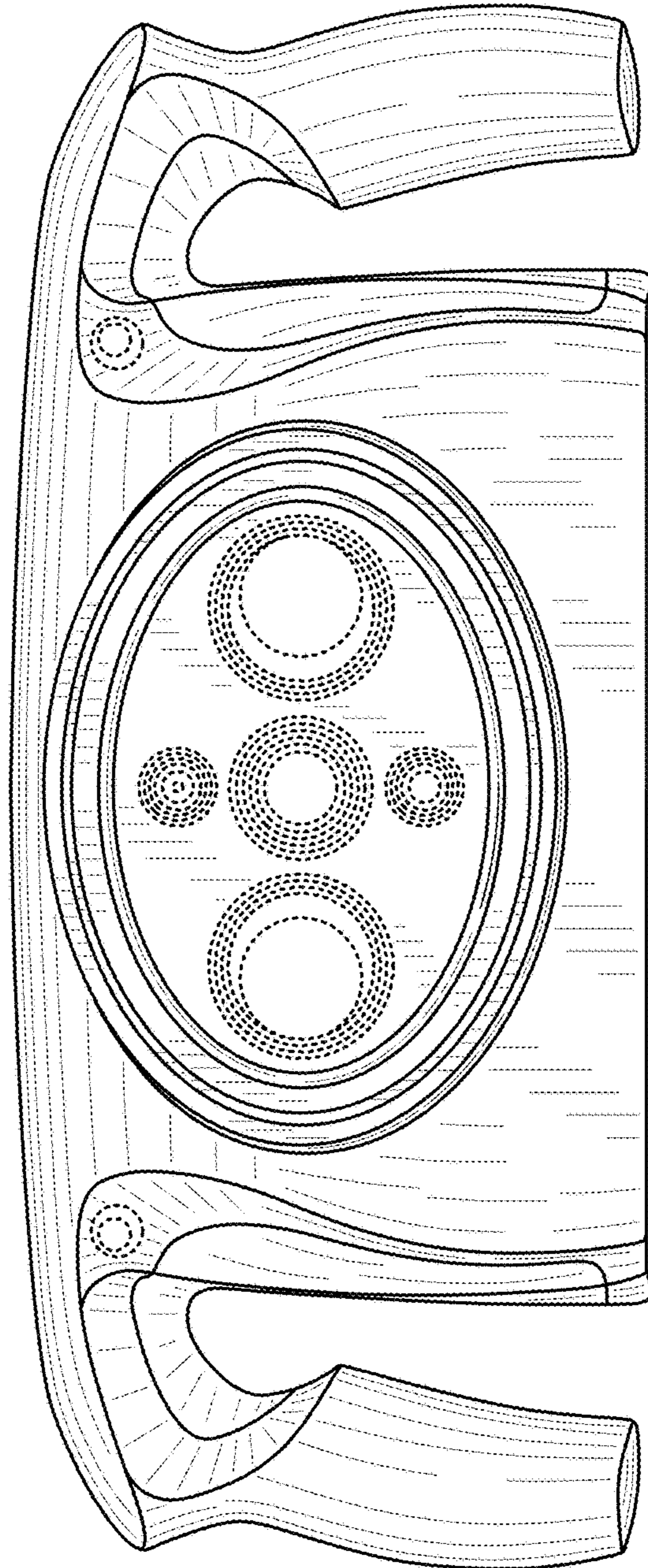


FIG. 3

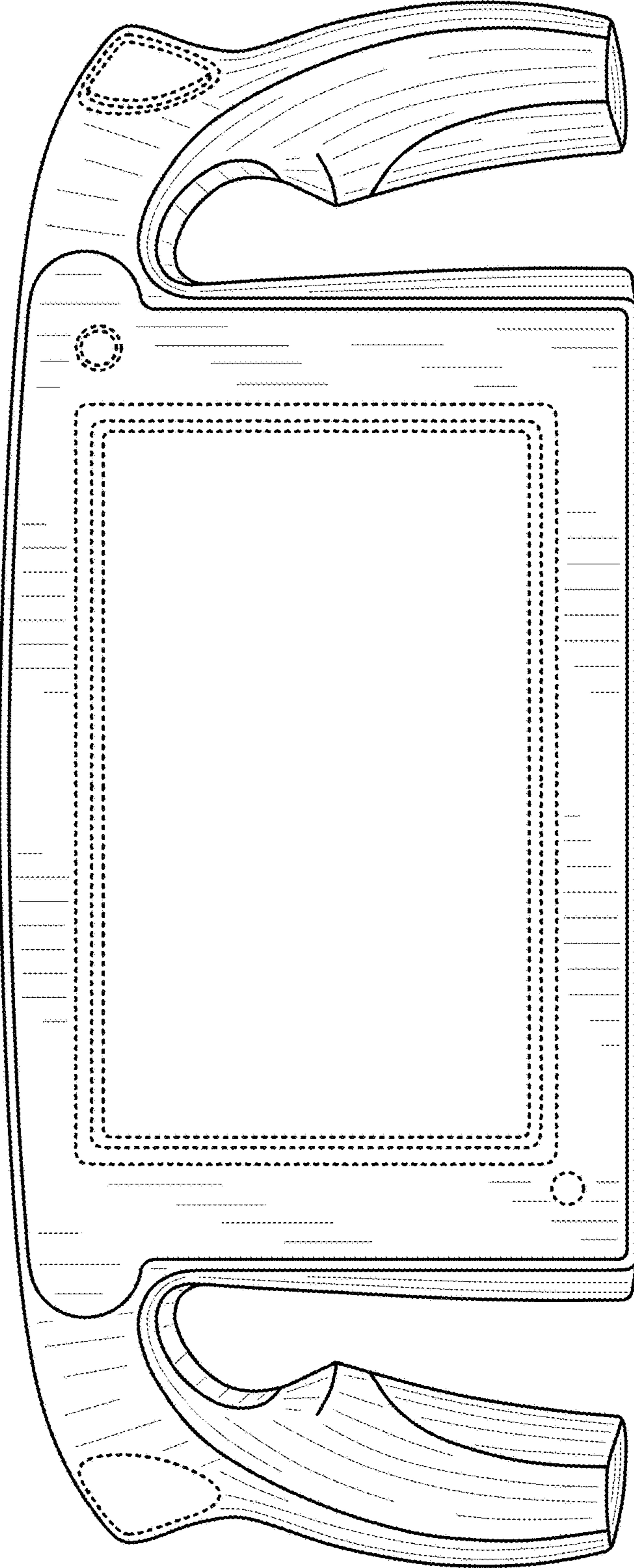


FIG. 4

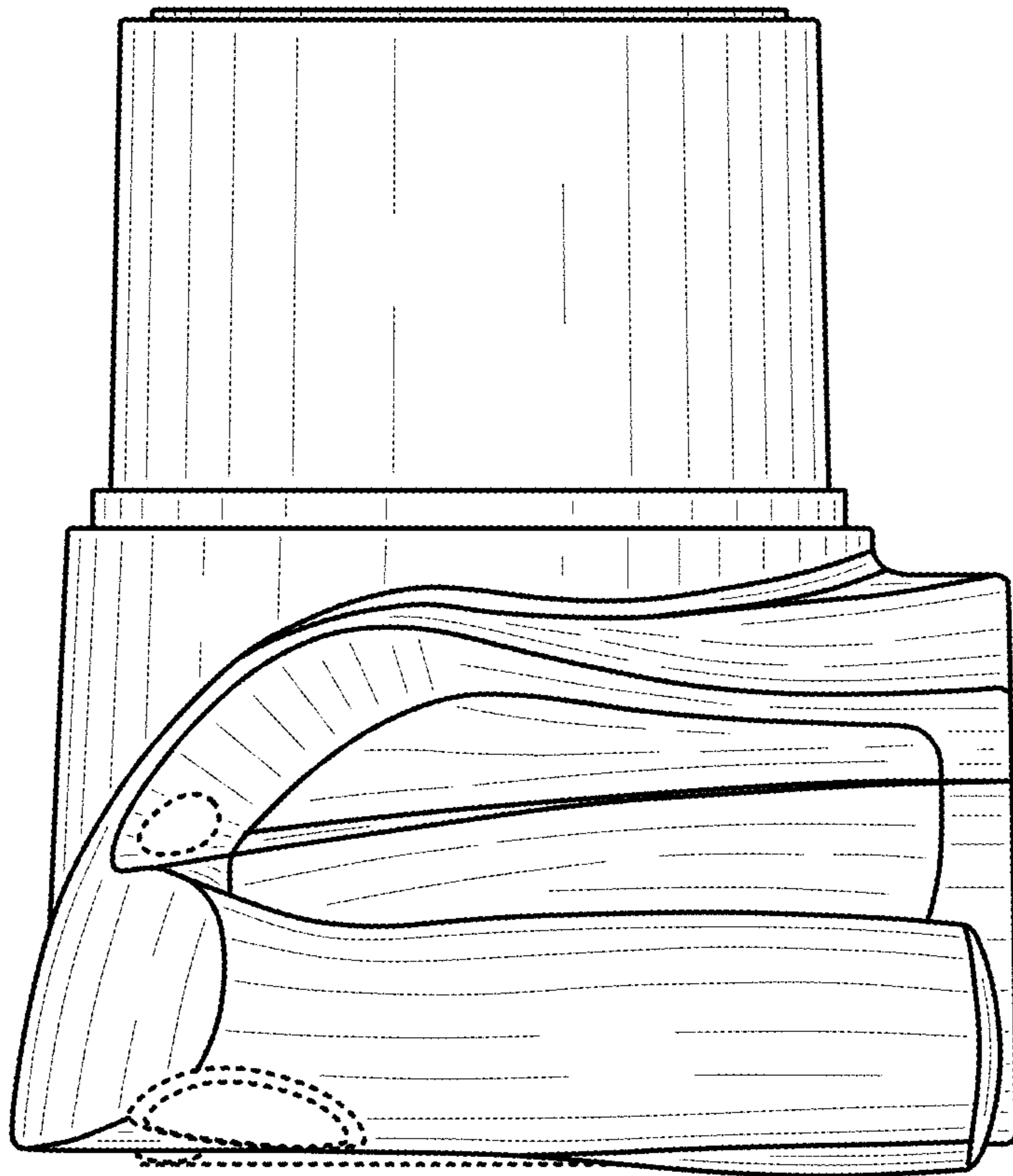


FIG. 5

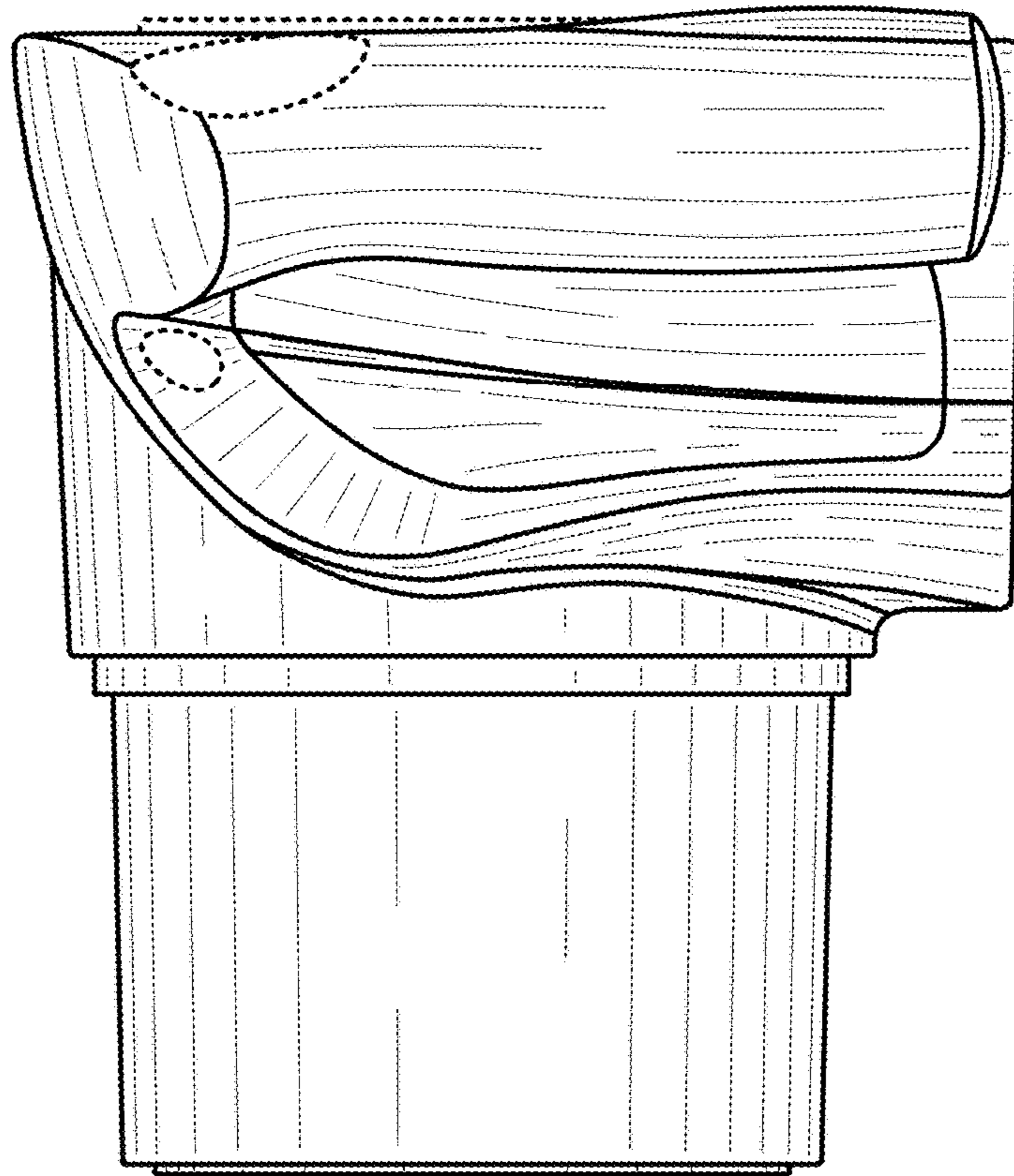


FIG. 6

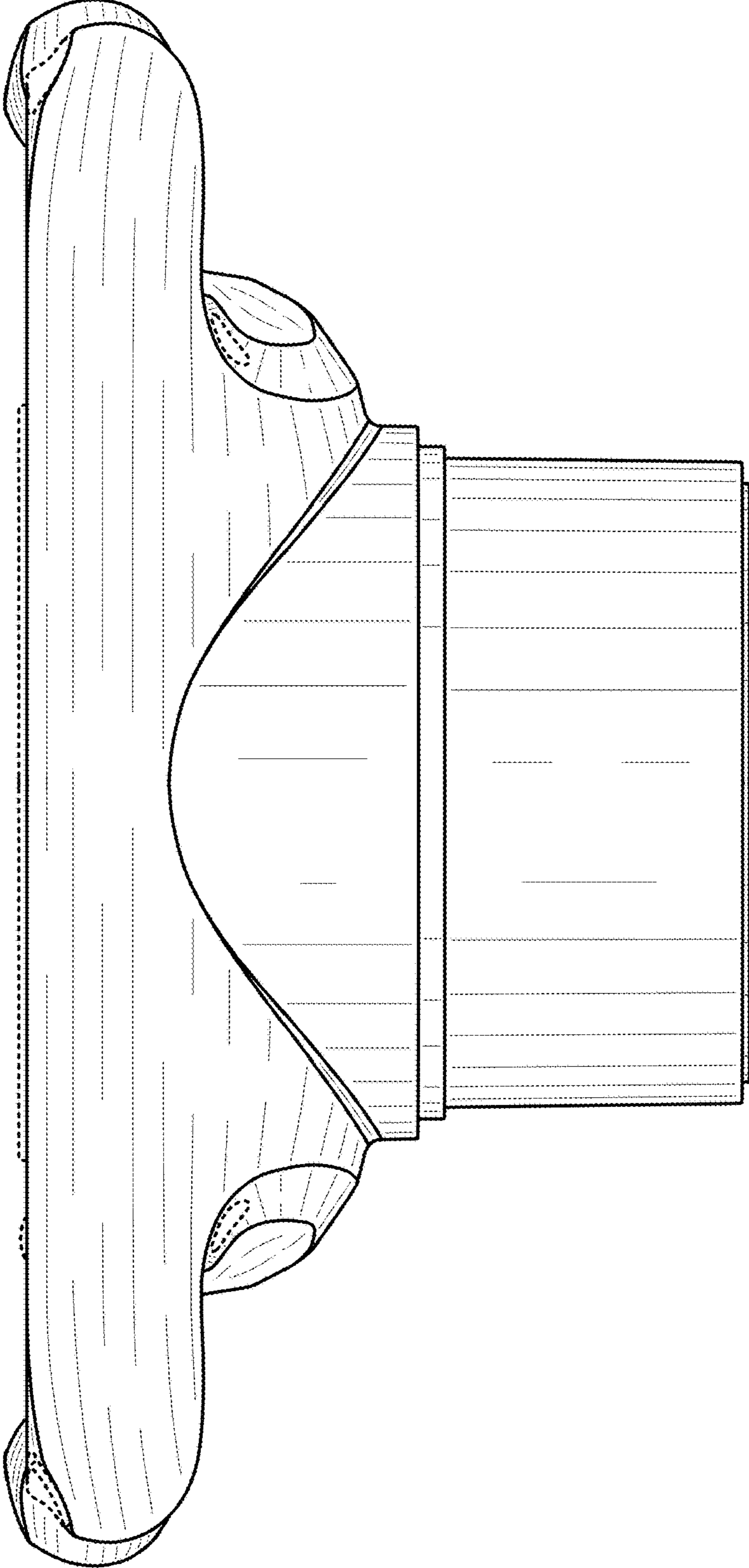


FIG. 7

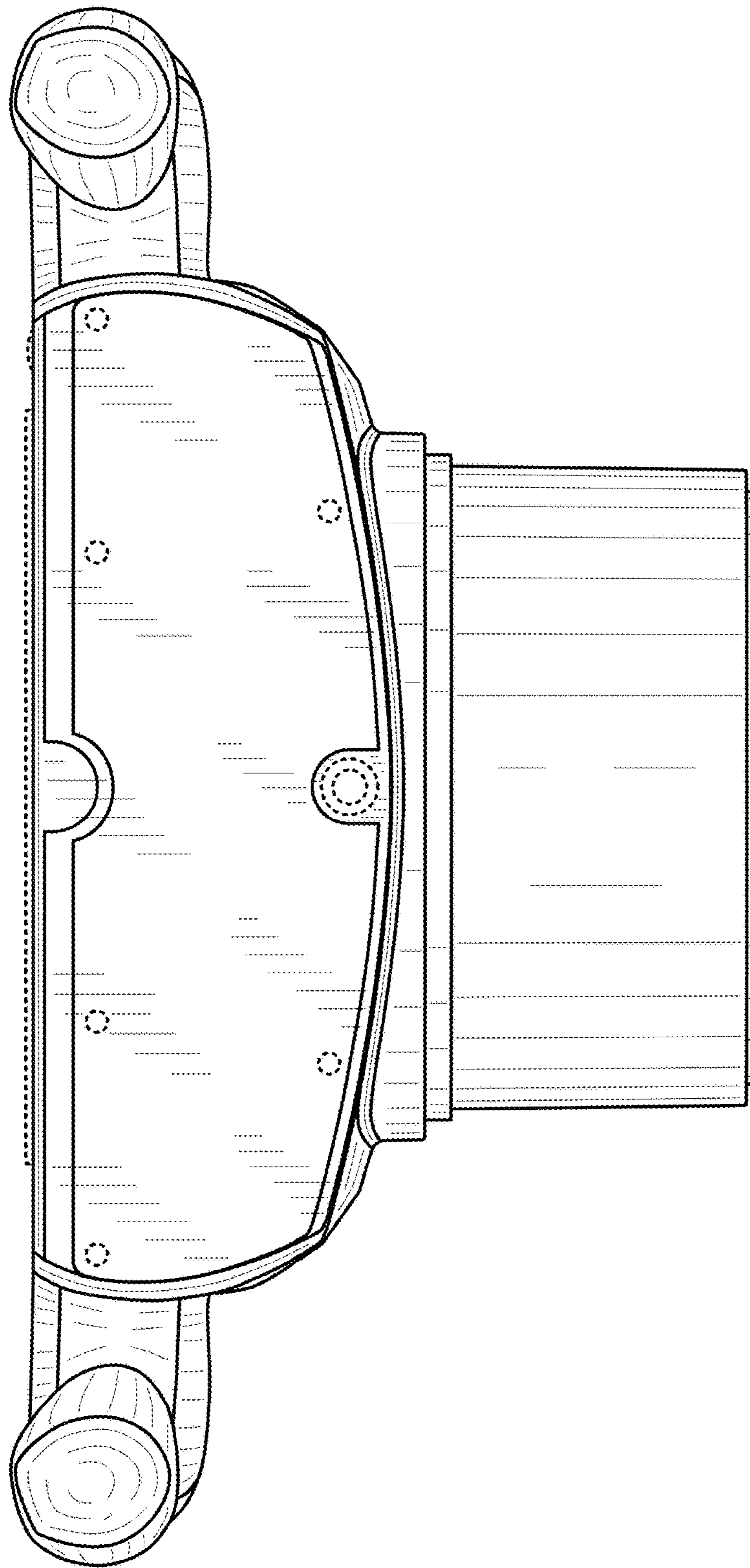


FIG. 8

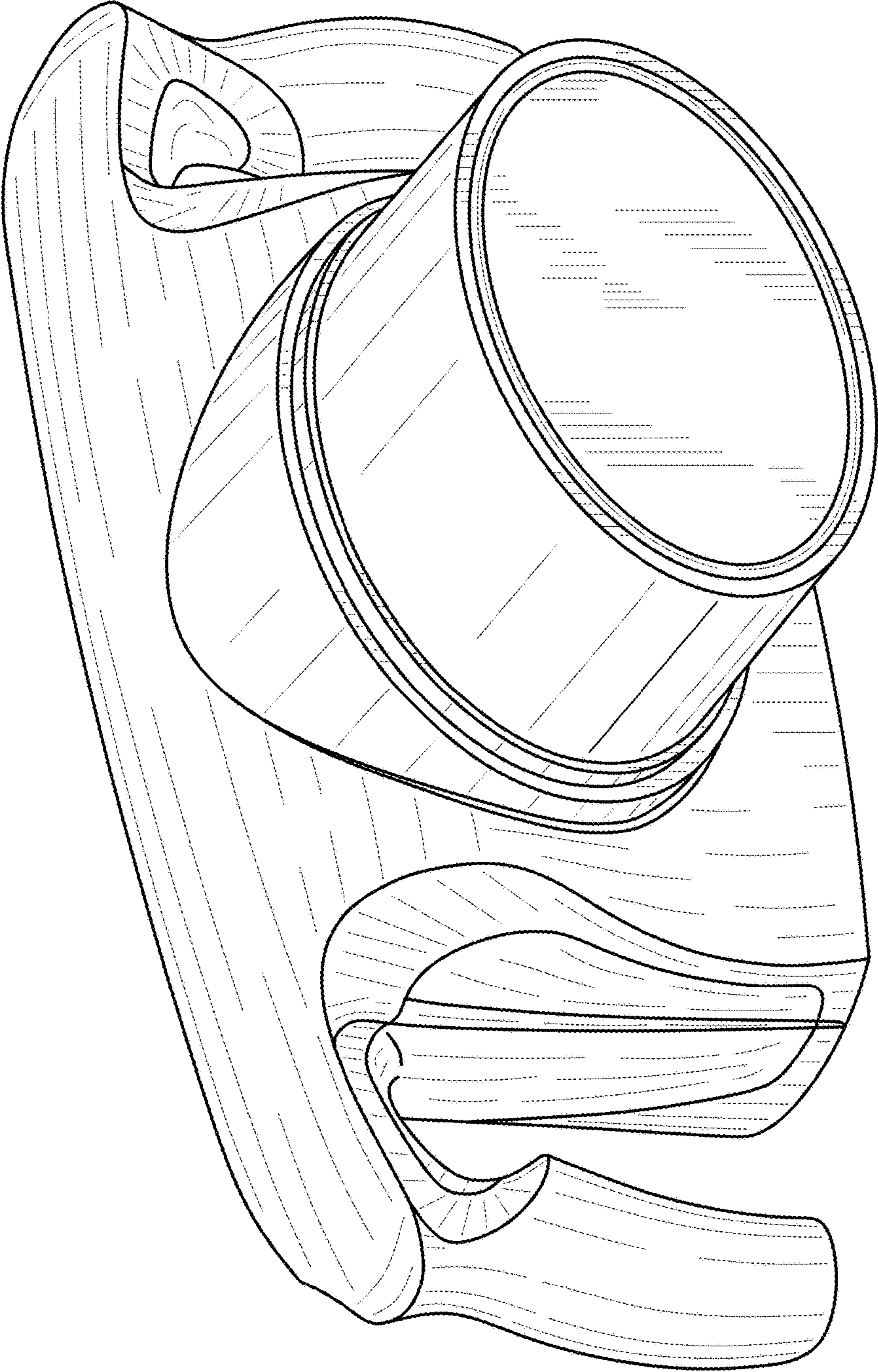


FIG. 9

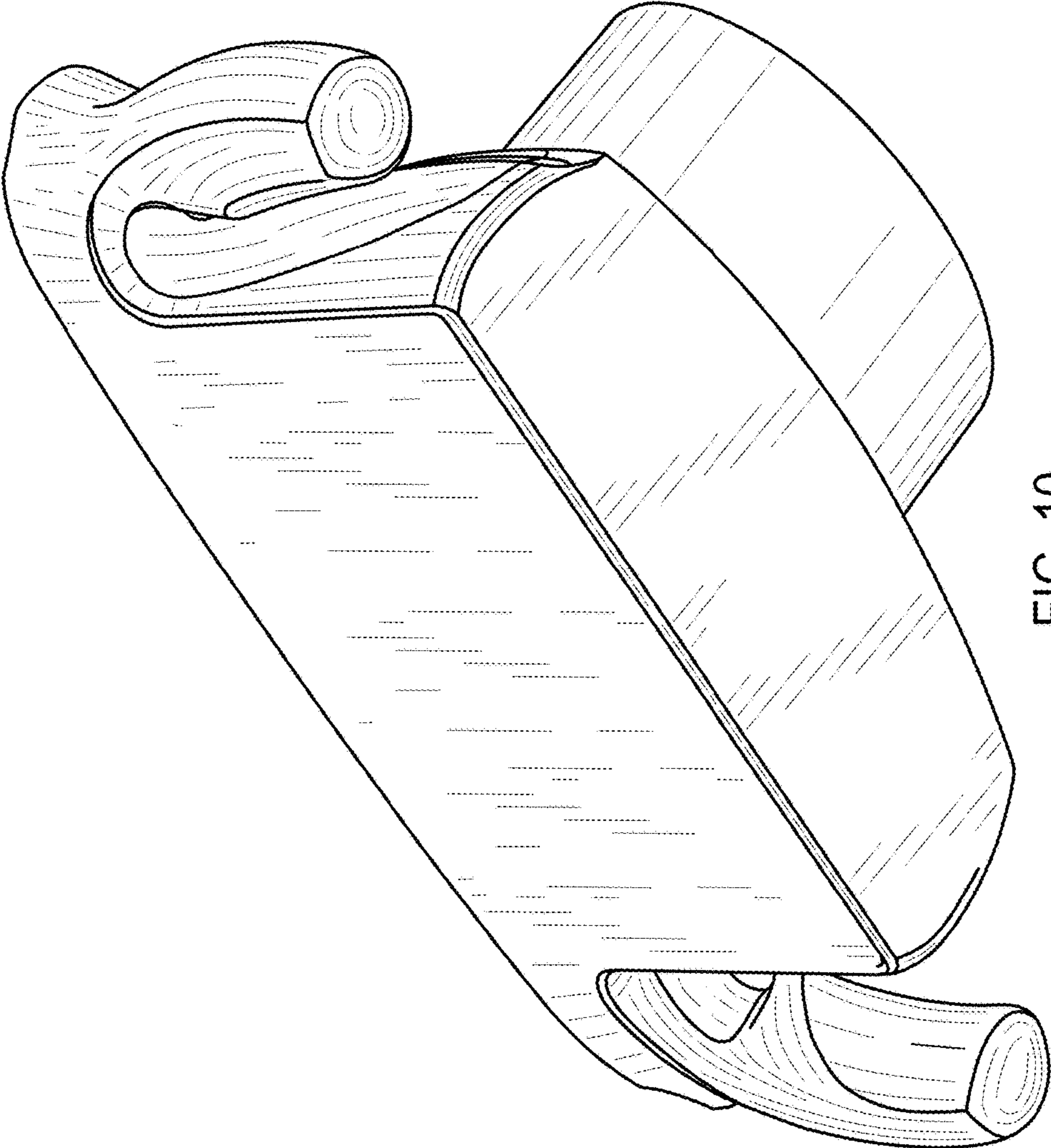


FIG. 10

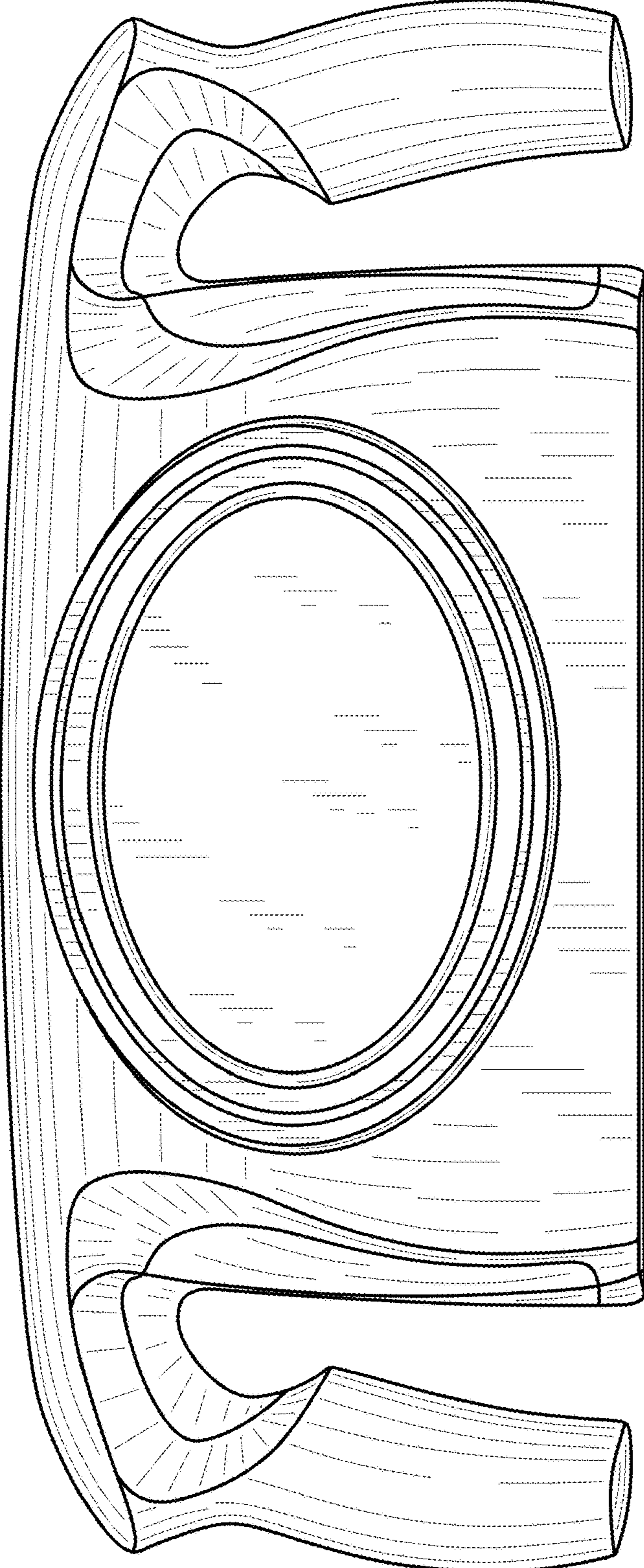


FIG. 11

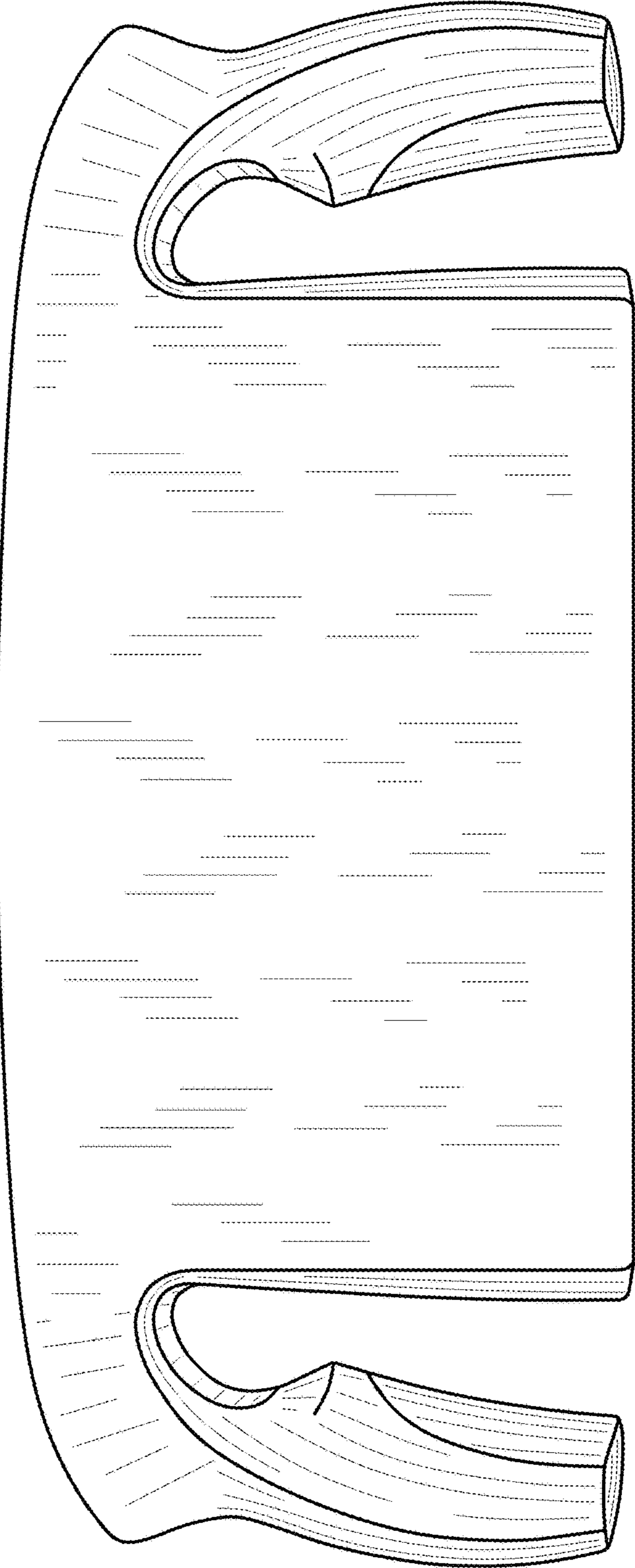


FIG. 12

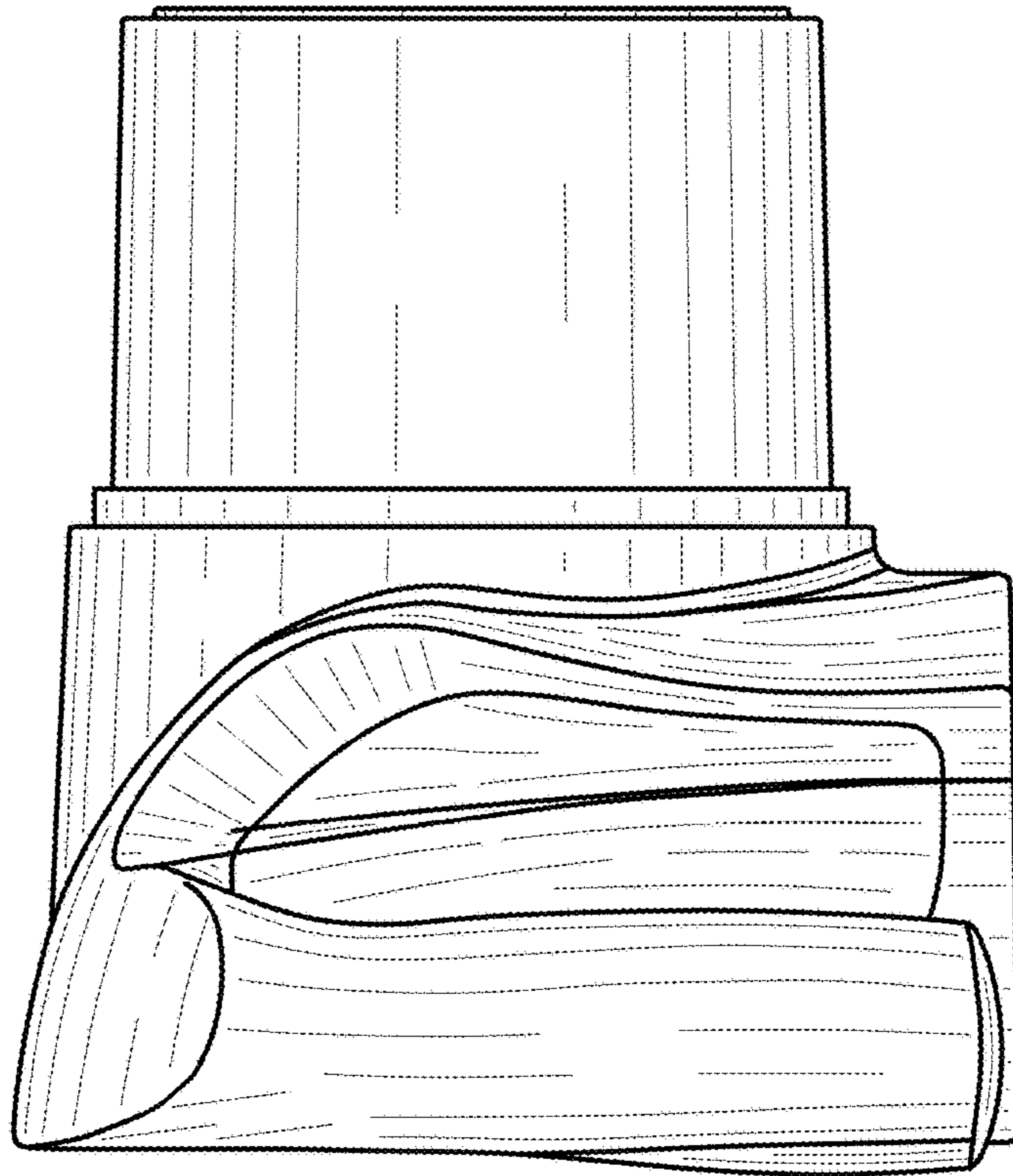


FIG. 13

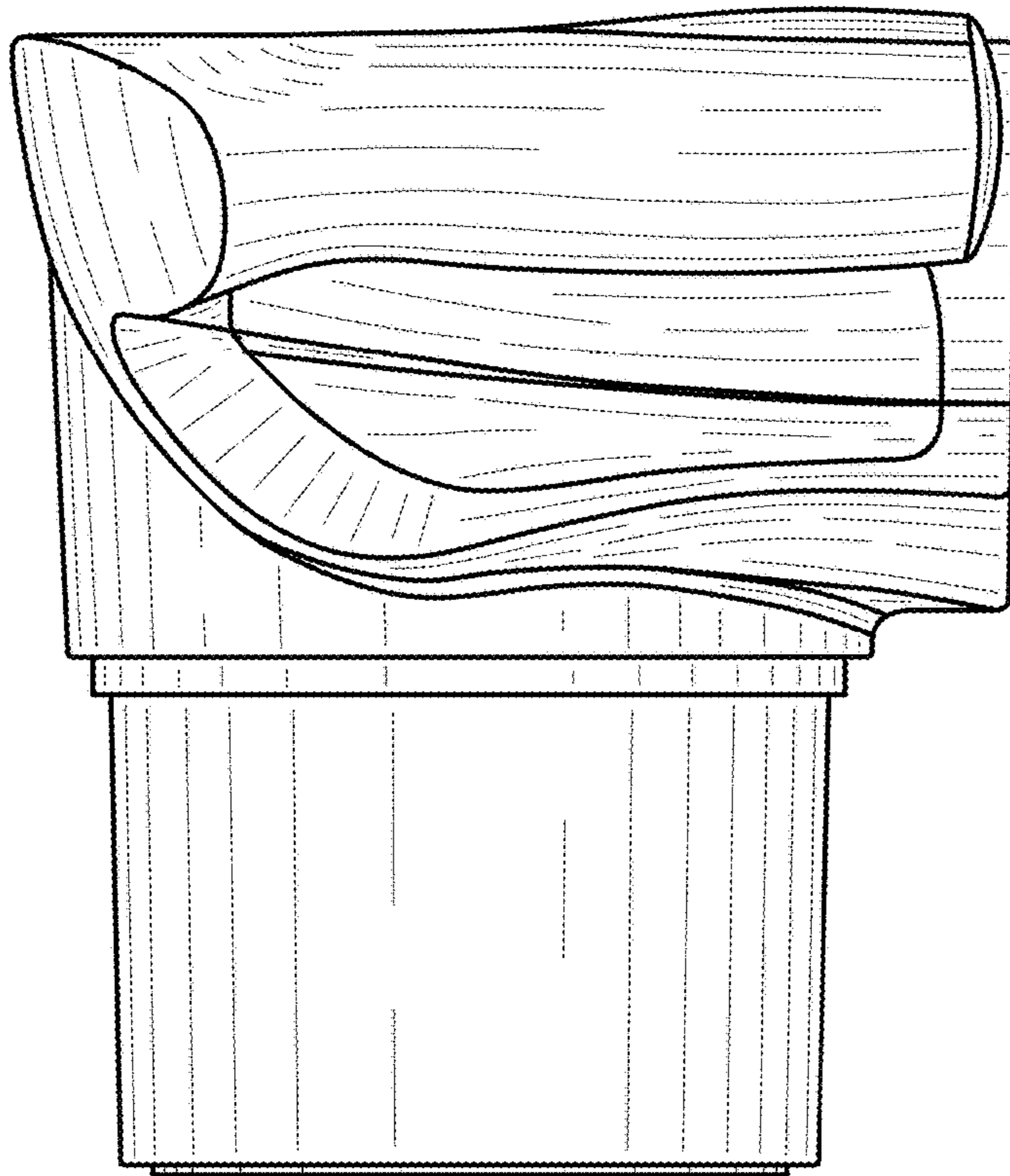


FIG. 14

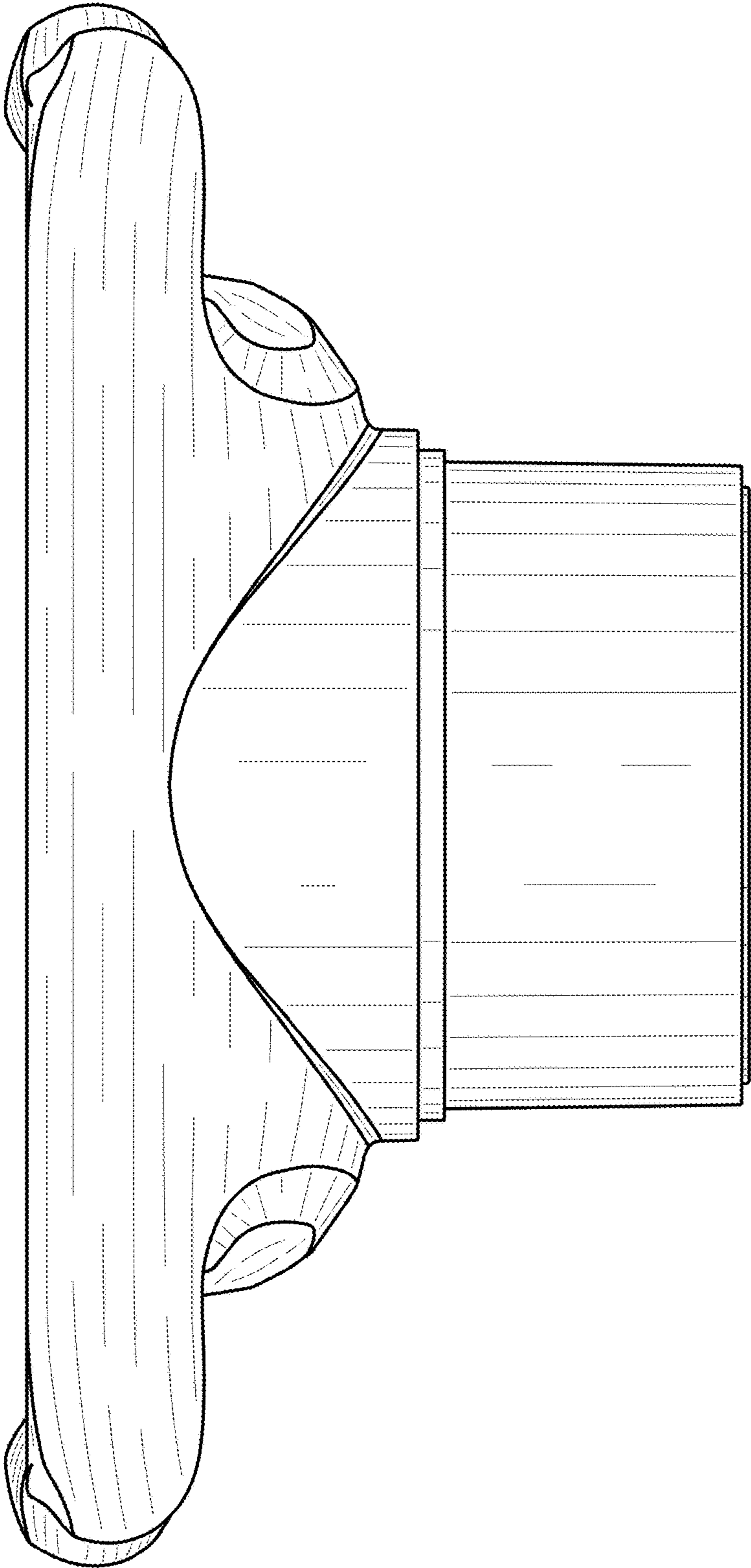


FIG. 15

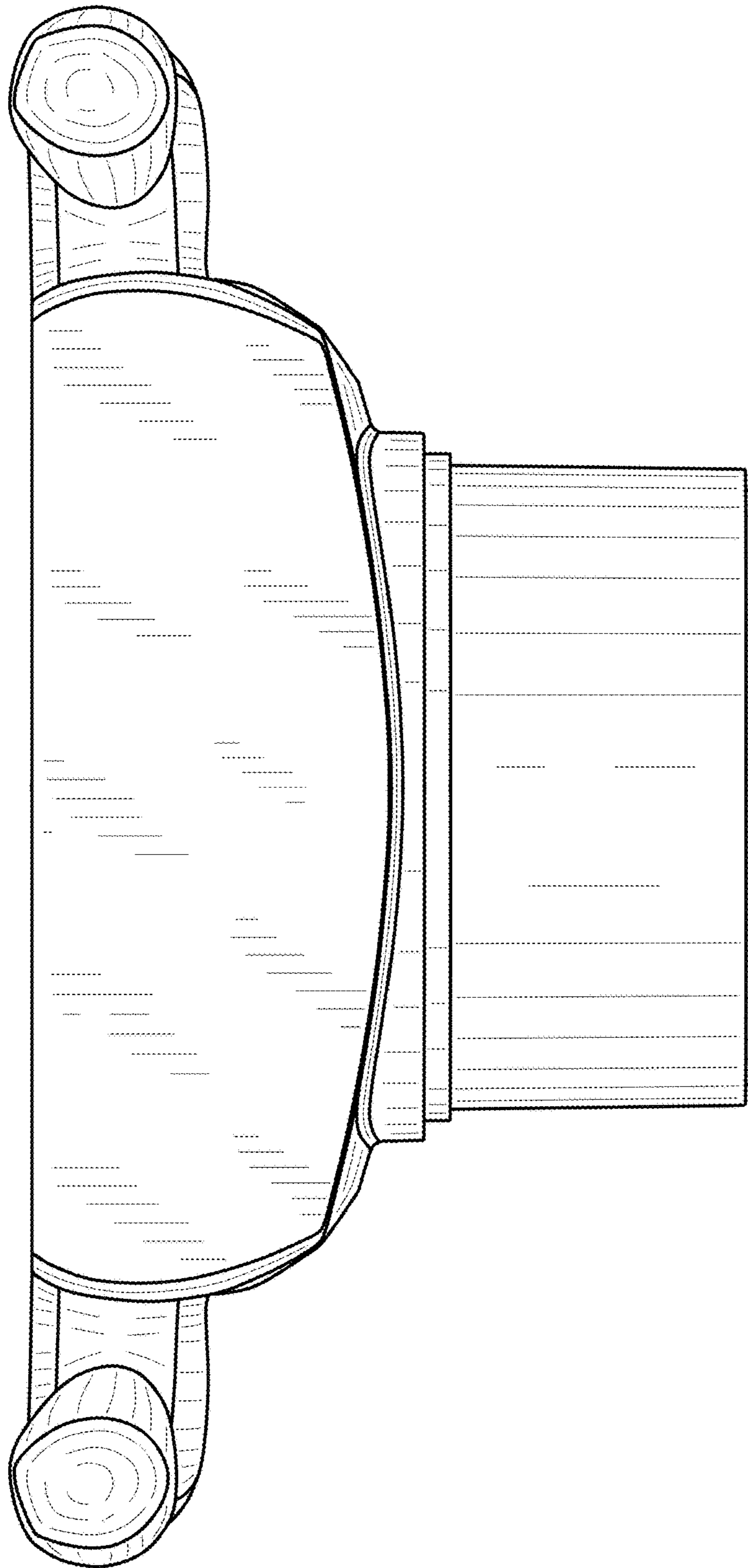


FIG. 16