



US00D835697S

(12) **United States Design Patent** (10) **Patent No.:** **US D835,697 S**
Andersson et al. (45) **Date of Patent:** **** Dec. 11, 2018**

(54) **MONITORING CAMERA**

(71) Applicant: **AXIS AB**, Lund (SE)

(72) Inventors: **Kristina Andersson**, Arlov (SE);
Anders Lundquist, Genarp (SE);
Daniel Ahman, Lomma (SE); **Mathias
Walter**, Arlov (SE); **Morten
Bergstrom**, Bjarred (SE)

(73) Assignee: **AXIS AB**, Lund (SE)

(**) Term: **15 Years**

(21) Appl. No.: **29/539,650**

(22) Filed: **Sep. 16, 2015**

(30) **Foreign Application Priority Data**

Mar. 16, 2015 (EM) 002655027-0001
Mar. 16, 2015 (EM) 002655027-0002

(51) **LOC (11) Cl.** **16-01**

(52) **U.S. Cl.**
USPC **D16/203**

(58) **Field of Classification Search**
USPC D16/200, 202–208, 218, 219, 242;
348/143, 148, 151, 373–376; 396/419,
396/427, 535, 539–541; 248/176.1, 187.1
CPC G03B 17/02; G03B 19/04; G03B 17/56;
G03B 17/04; G03B 15/03; H04N 5/2251;
H04N 5/2252; H04N 5/2253; H04N
5/2254; H04N 7/181; H04N 7/183; H04N
7/18

See application file for complete search history.

(56) **References Cited**

U.S. PATENT DOCUMENTS

4,394,692 A * 7/1983 Randmae H04N 5/2252
348/143
4,414,576 A * 11/1983 Randmae G08B 13/19619
219/201
D273,012 S * 3/1984 Kozloski D16/203

D403,340 S * 12/1998 Arbuckle D16/203
D607,033 S 12/2009 Arbuckle et al.
7,762,731 B2 * 7/2010 Arbuckle G03B 17/08
277/628
D638,871 S * 5/2011 Bergstrom D16/203
D642,607 S * 8/2011 Bergstrom D16/203
D643,454 S * 8/2011 Zaliauskas D16/202

(Continued)

FOREIGN PATENT DOCUMENTS

TW D157862 12/2013

OTHER PUBLICATIONS

http://www.axis.com/files/image_gallery/ph_m1103_left.jpg, (Jan. 1,
2014).

(Continued)

Primary Examiner — Philip S Hyder
Assistant Examiner — Ramzi S Almatrahi
(74) *Attorney, Agent, or Firm* — Volpe and Koenig, P.C.

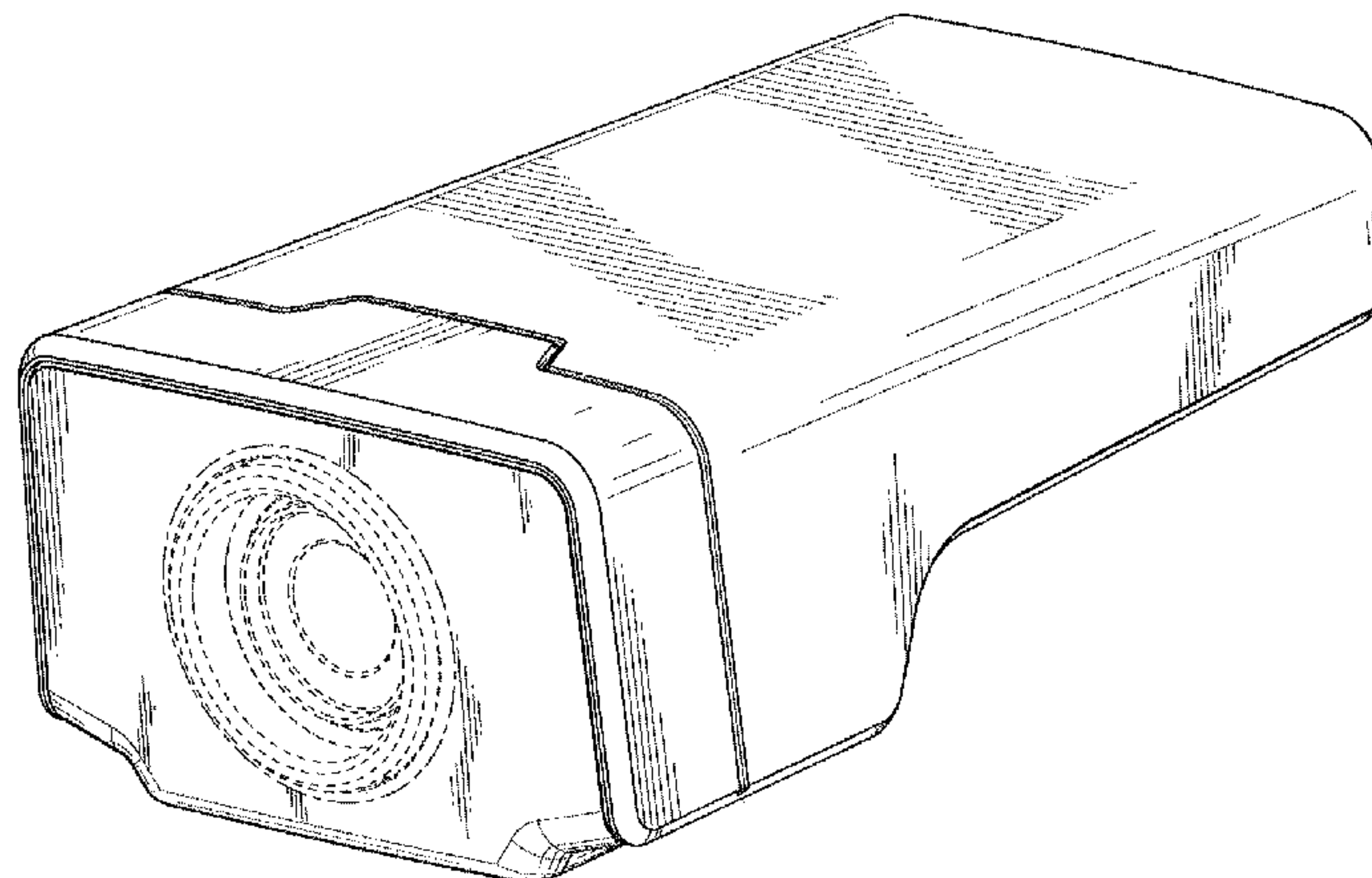
(57) **CLAIM**

The ornamental design for a monitoring camera, as shown
and described.

DESCRIPTION

FIG. 1 is a perspective view of a monitoring camera showing
our new design;
FIG. 2 is a front elevational view thereof;
FIG. 3 is a top plan view thereof;
FIG. 4 is a left side elevational view thereof;
FIG. 5 is a right side elevational view thereof;
FIG. 6 is a bottom plan view thereof; and,
FIG. 7 is a rear elevational view thereof.
The broken lines depict portions of a monitoring camera in
which the design is embodied and form no part of the
claimed design.
The dot-dash lines denote the boundary of the claim and
form no part of the claimed design.

1 Claim, 4 Drawing Sheets



(56)

References Cited

U.S. PATENT DOCUMENTS

D661,719 S 6/2012 Katori et al.
D672,382 S 12/2012 Zeinoun et al.
D679,308 S * 4/2013 Park D16/203
D684,619 S * 6/2013 Chapple D16/203
D691,187 S 10/2013 Seo et al.
D691,646 S 10/2013 Bergstrom et al.
D730,420 S 5/2015 Janssen et al.
D732,597 S 6/2015 Celler
D739,888 S 9/2015 Liang
D741,933 S * 10/2015 Bergstrom D16/203
D748,710 S * 2/2016 Bergstrom D16/203
9,392,149 B2 7/2016 Grotto et al.
2011/0052179 A1 * 3/2011 Jung H04N 5/2252
396/427

OTHER PUBLICATIONS

http://www.axis.com/files/image_gallery/ph_p1311_leftangle_1012.jpg. (Jan. 1, 2014).
http://www.axis.com/files/image_gallery/q1614_wall_angle_left_1310_hi.jpg. (Jan. 1, 2014).
http://www.axis.com/files/image_gallery/ph_q1755_left.jpg. (Jan. 1, 2014).
http://www.axis.com/files/image_gallery/140_bjc/ph_m1143_1144_left.jpg. (Jan. 1, 2014).

* cited by examiner

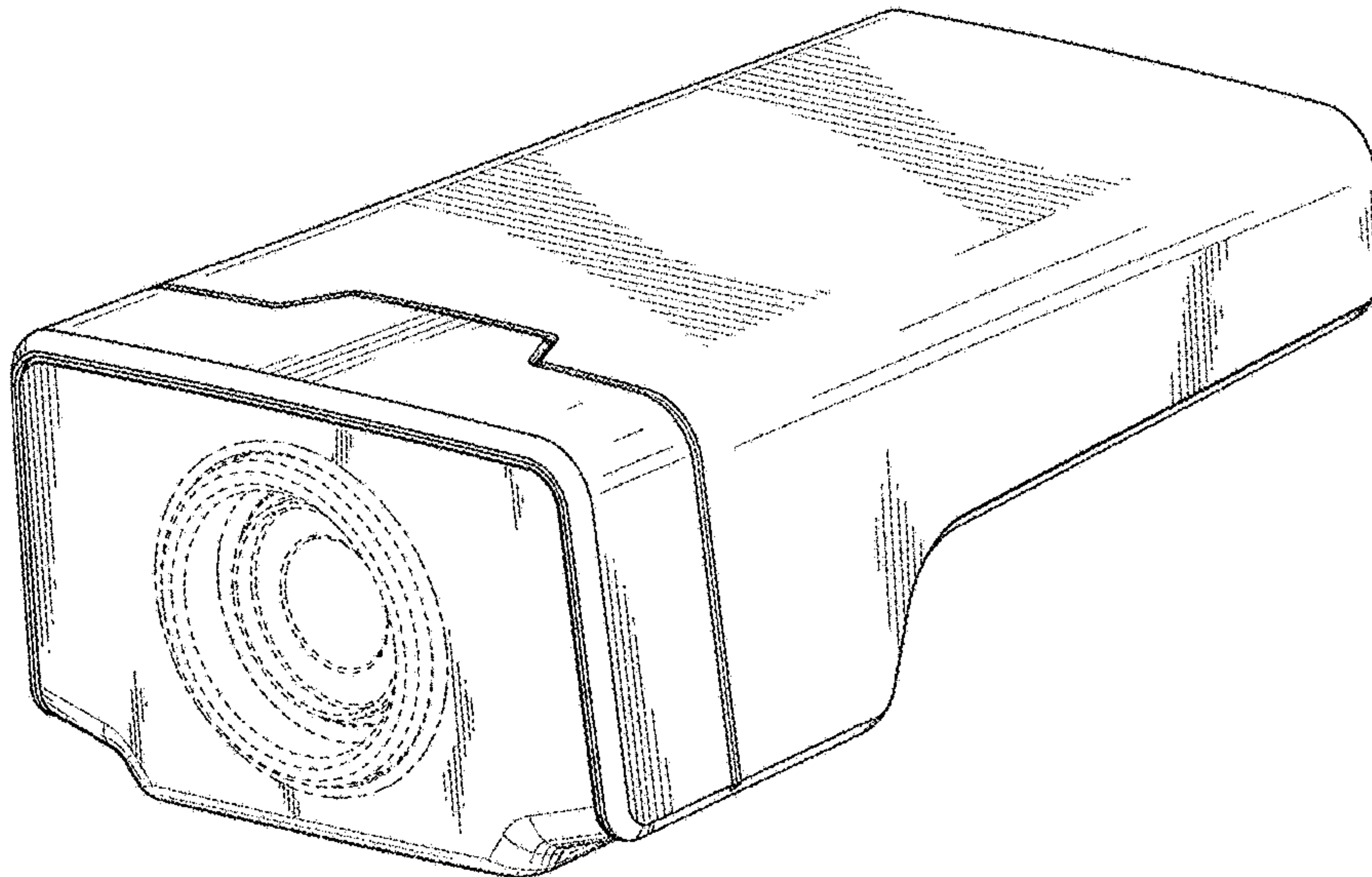


FIG. 1

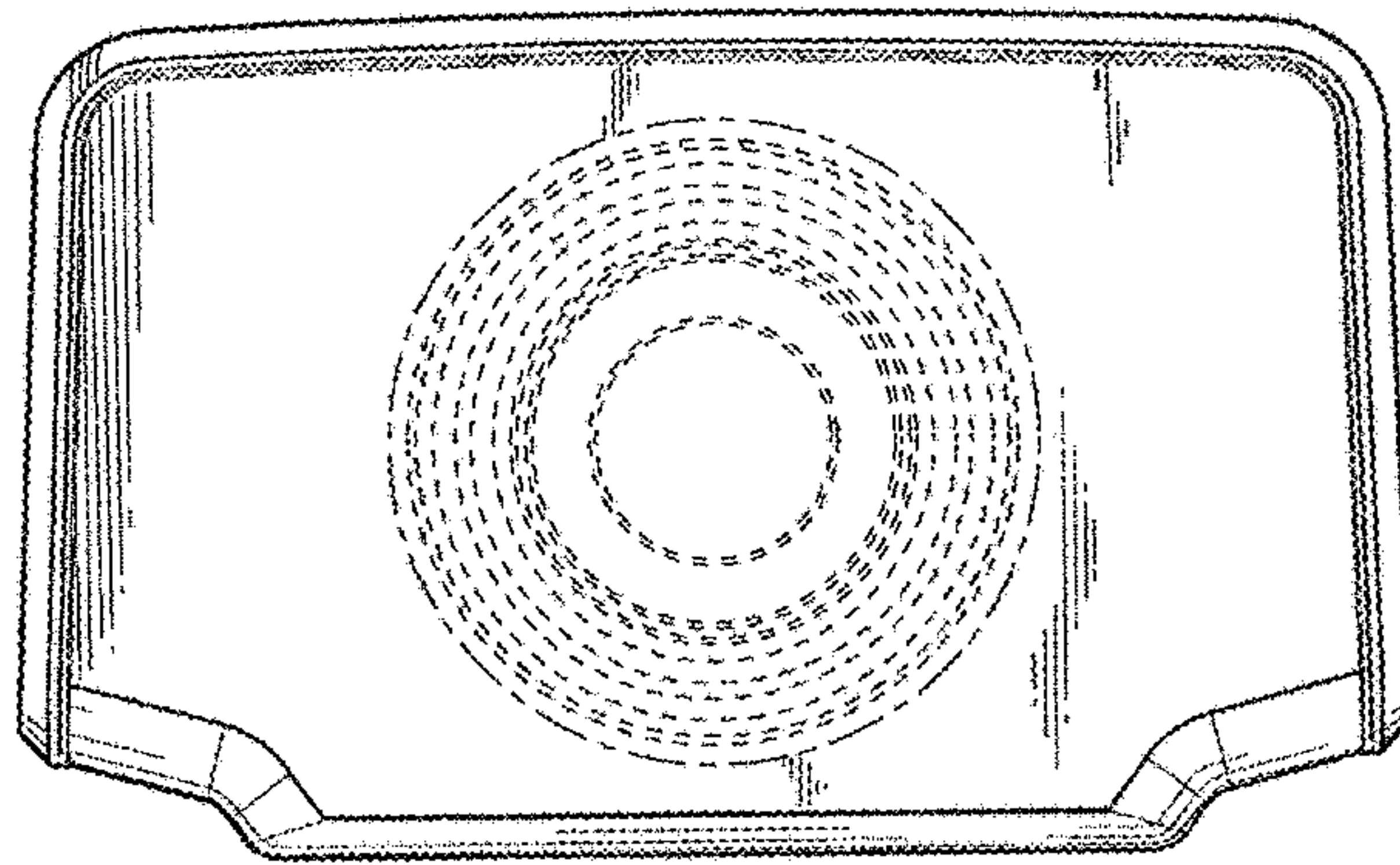


FIG. 2

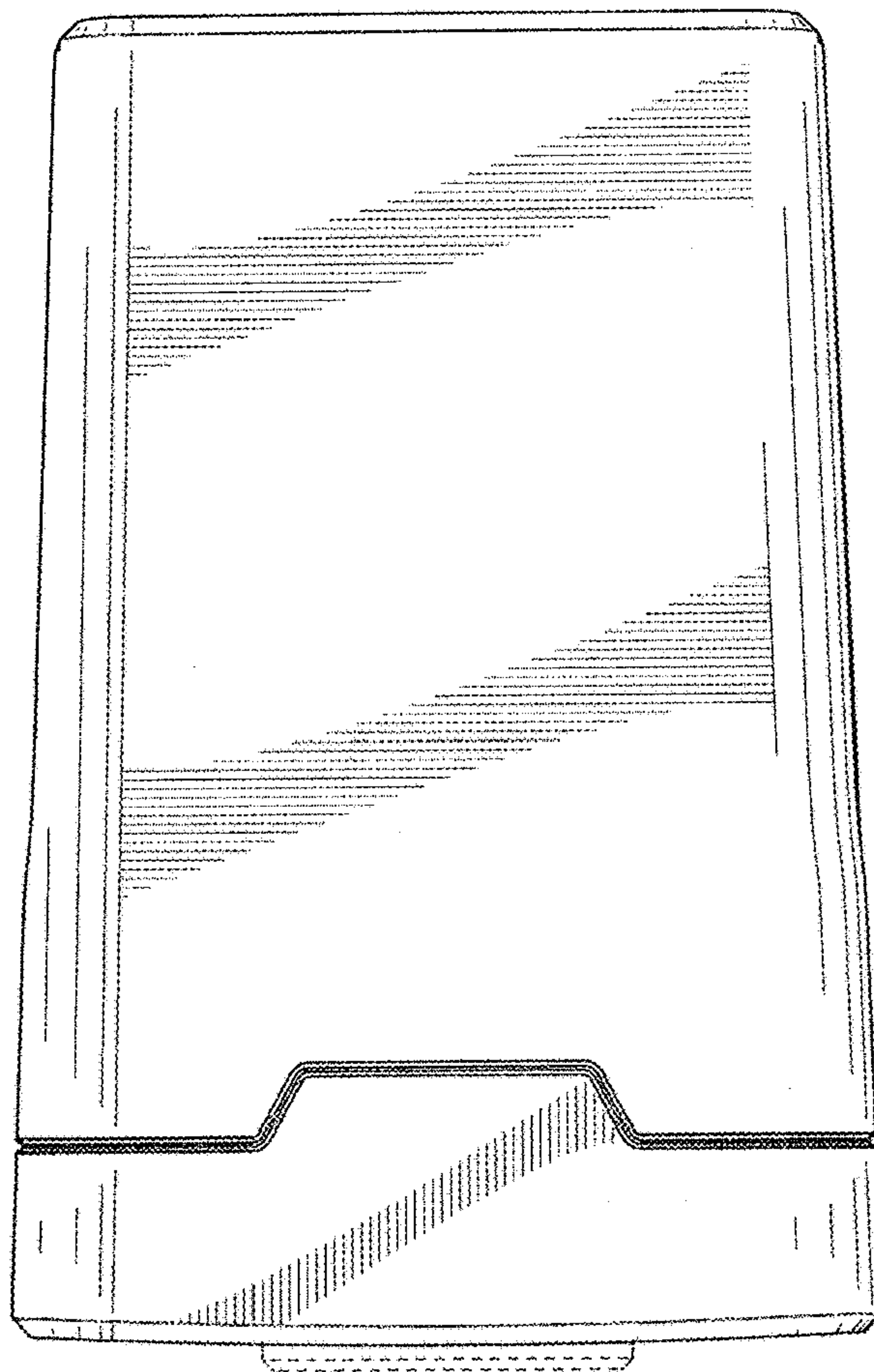


FIG. 3

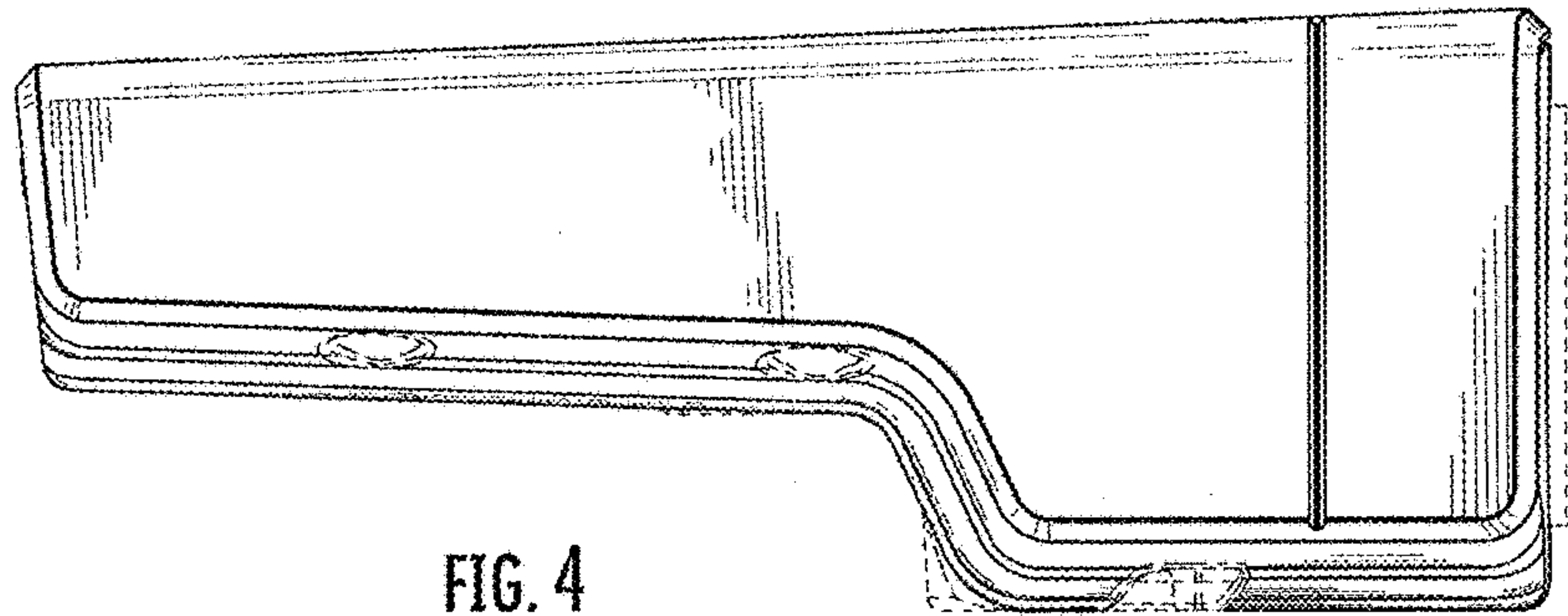


FIG. 4

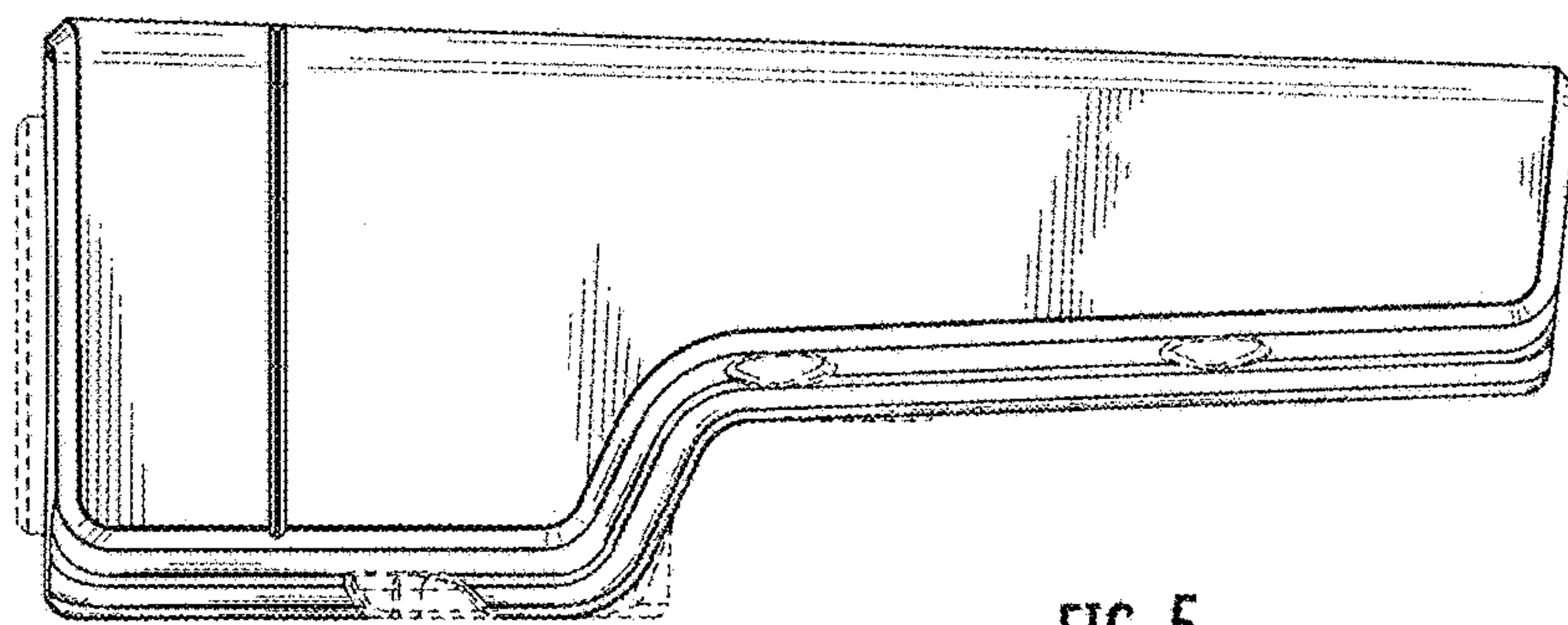


FIG. 5

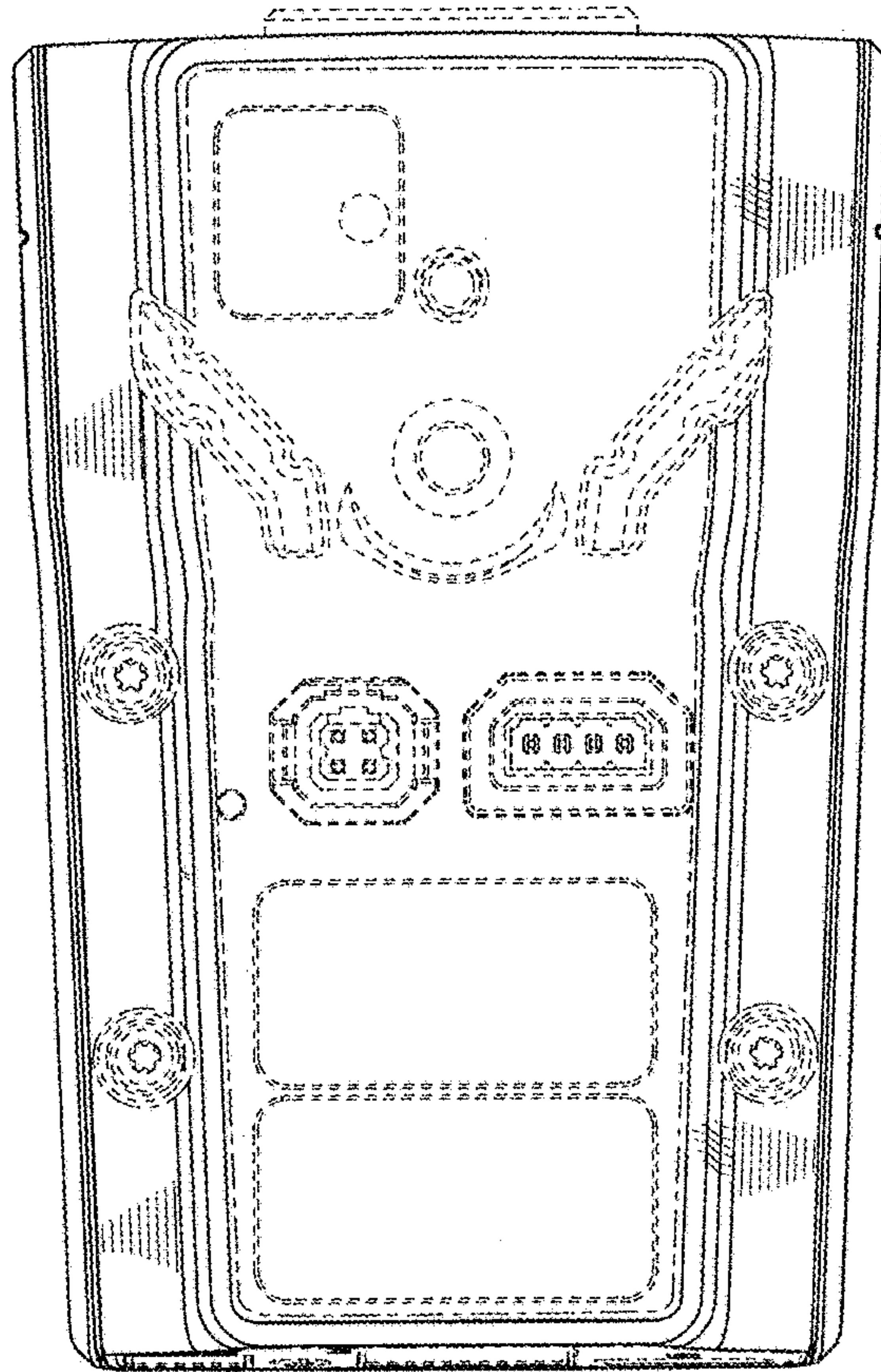


FIG. 6

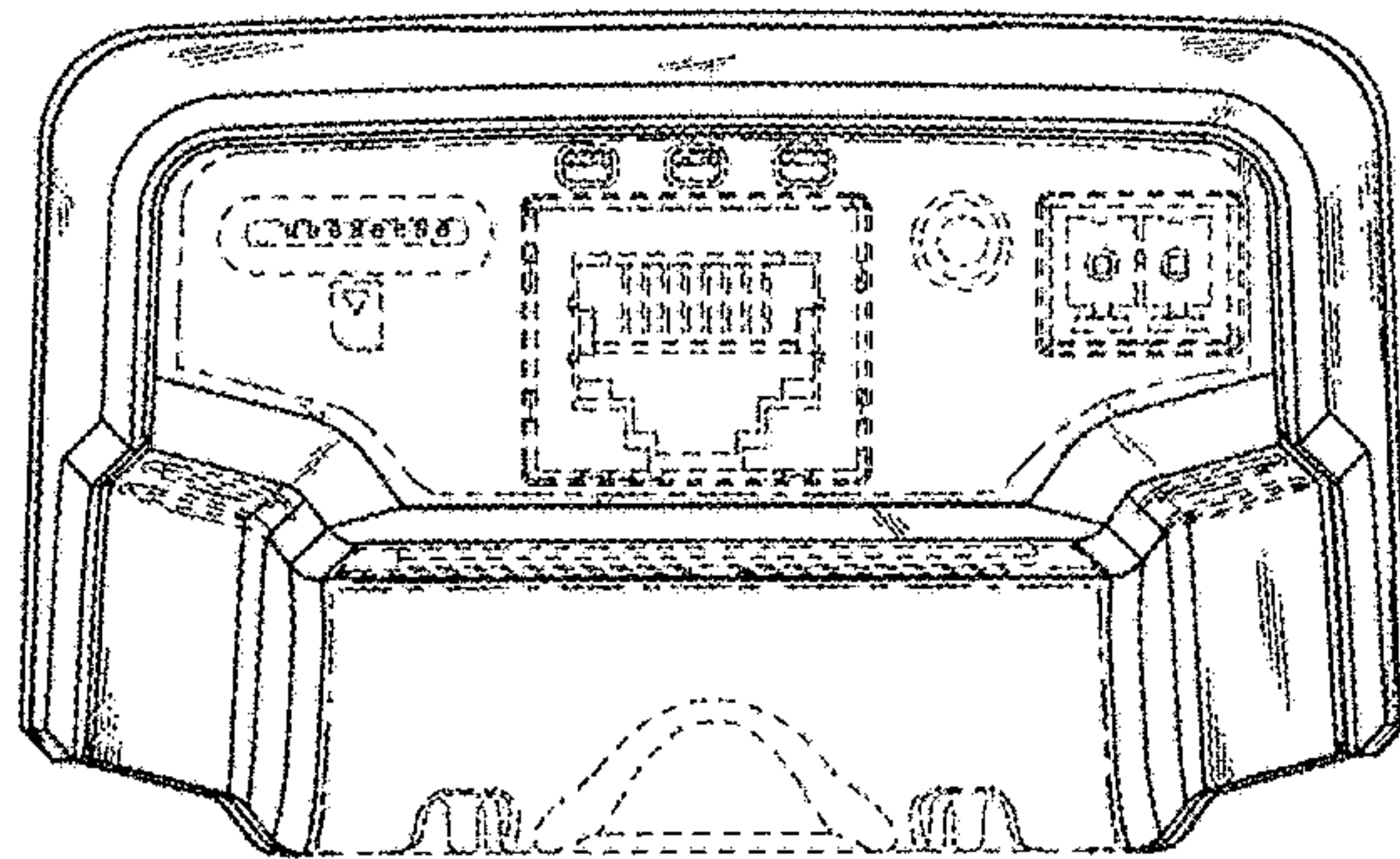


FIG. 7