

US00D835696S

(12) **United States Design Patent** (10) **Patent No.:** **US D835,696 S**  
**Zeng** (45) **Date of Patent:** **\*\* Dec. 11, 2018**

(54) **CAMERA LENS CONTROLLER**  
(71) Applicant: **TILTA INC.**, Burbank, CA (US)  
(72) Inventor: **Wenping Zeng**, Shenzhen (CN)  
(73) Assignee: **TILTA INC.**, Burbank, CA (US)  
(\*\*) Term: **15 Years**  
(21) Appl. No.: **29/608,706**

D755,271 S \* 5/2016 Patulski ..... D16/202  
2013/0038728 A1\* 2/2013 Kim ..... H04N 5/2252  
348/143  
2014/0160349 A1\* 6/2014 Huang ..... H04N 5/2251  
348/375

\* cited by examiner

*Primary Examiner* — Philip S Hyder  
*Assistant Examiner* — Ramzi S Almatrahi  
(74) *Attorney, Agent, or Firm* — Loza & Loza, LLP;  
Derek Yeung

(22) Filed: **Jun. 23, 2017**  
(51) **LOC (11) Cl.** ..... **16-01**  
(52) **U.S. Cl.**  
USPC ..... **D16/202**  
(58) **Field of Classification Search**  
USPC ..... D16/200, 202–206, 208, 218, 219;  
348/373–376; 396/535, 539–541  
CPC ..... G03B 15/03; G03B 17/02; G03B 17/04;  
G03B 17/56; G03B 19/04; H04N 5/2251;  
H04N 5/2252; H04N 5/2253; H04N  
5/2254; H04N 2101/00  
See application file for complete search history.

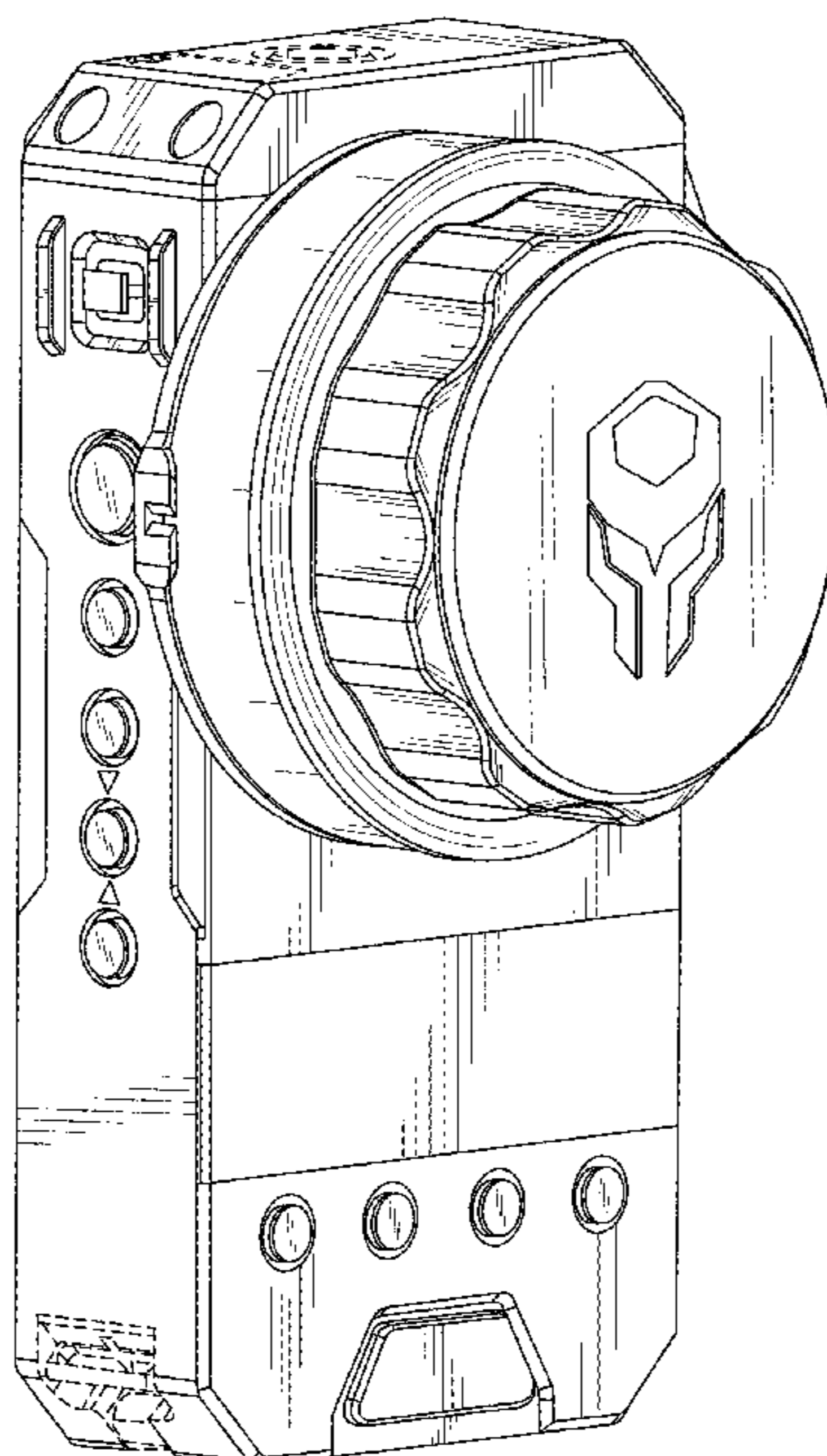
(57) **CLAIM**  
I claim the ornamental design for a camera lens controller,  
substantially as shown and described.

**DESCRIPTION**

FIG. 1 is a perspective view of a camera lens controller in accordance with the present design.  
FIG. 2 is a front view of the camera lens controller of FIG. 1.  
FIG. 3 is a rear view of the camera lens controller of FIG. 1.  
FIG. 4 is a right side view of the camera lens controller of FIG. 1.  
FIG. 5 is a left side view of the camera lens controller of FIG. 1.  
FIG. 6 is a top plan view of the camera lens controller of FIG. 1; and,  
FIG. 7 is a bottom plan view of the camera lens controller of FIG. 1.  
The broken lines depict portions of the camera lens controller in which the design is embodied and form no part of the claimed design.

(56) **References Cited**  
U.S. PATENT DOCUMENTS  
D537,094 S \* 2/2007 Lee ..... D16/200  
D616,901 S \* 6/2010 Ward ..... D14/507  
D617,821 S \* 6/2010 Kaplan ..... D16/202  
D633,930 S \* 3/2011 Dinger ..... D16/202  
D638,458 S \* 5/2011 Miyamori ..... D16/202  
D641,771 S \* 7/2011 Sasaki ..... D16/202  
D651,632 S \* 1/2012 Kim ..... D16/202  
D692,473 S \* 10/2013 Kawaguchi ..... D16/202  
D716,862 S \* 11/2014 Hoshi ..... D16/202  
D729,295 S \* 5/2015 Onruang ..... D16/202

**1 Claim, 7 Drawing Sheets**



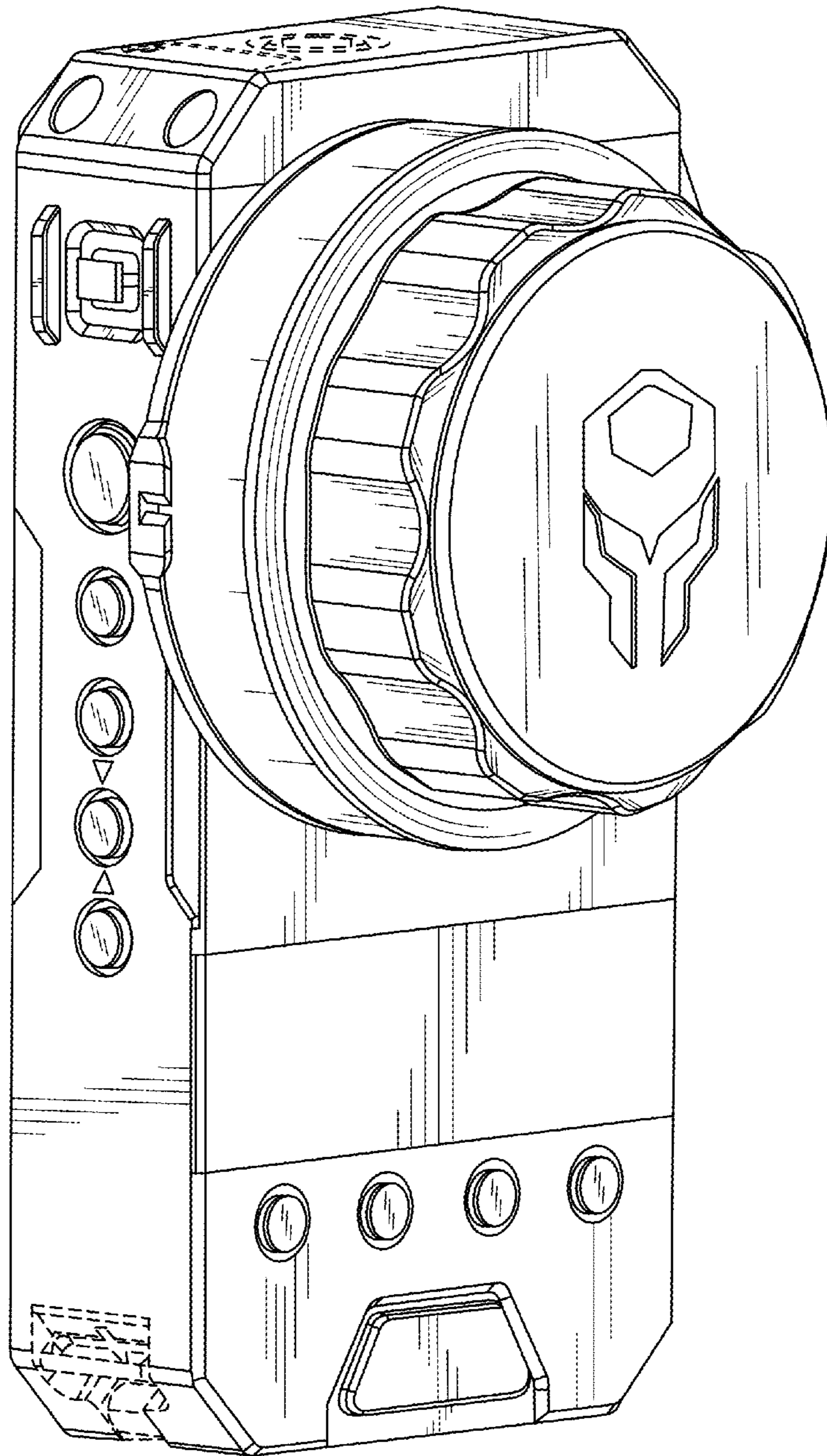


FIG. 1

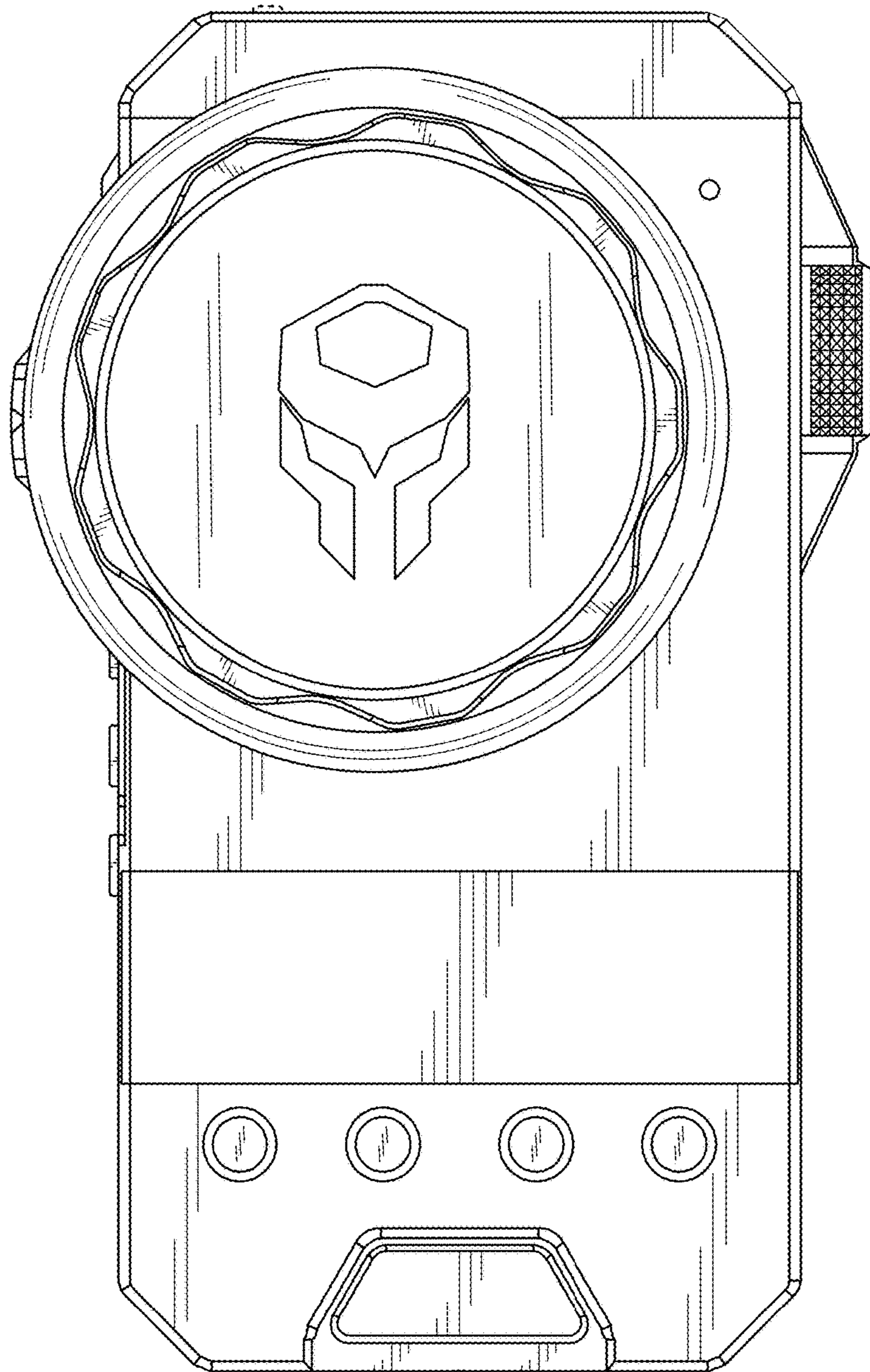


FIG. 2

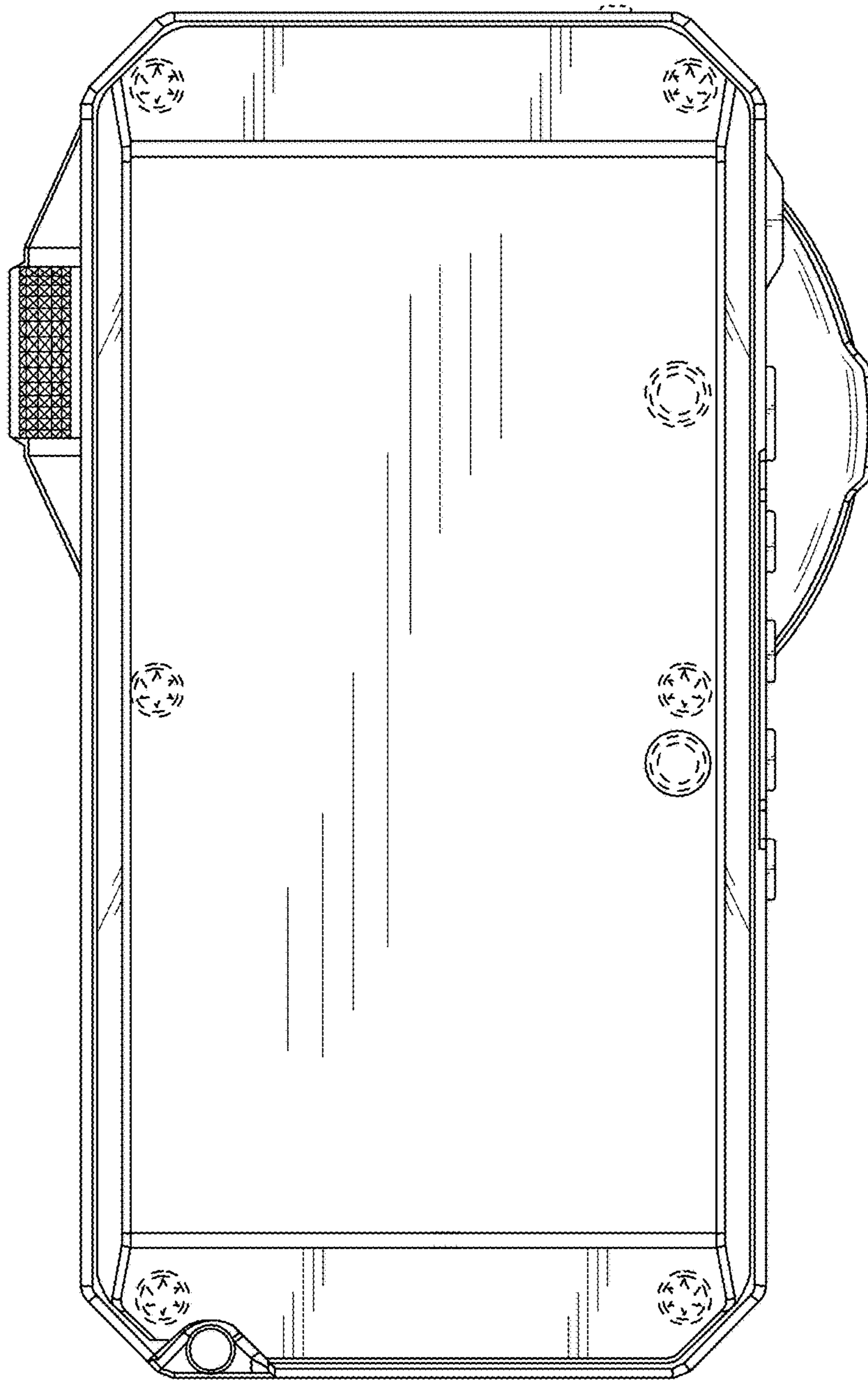


FIG. 3

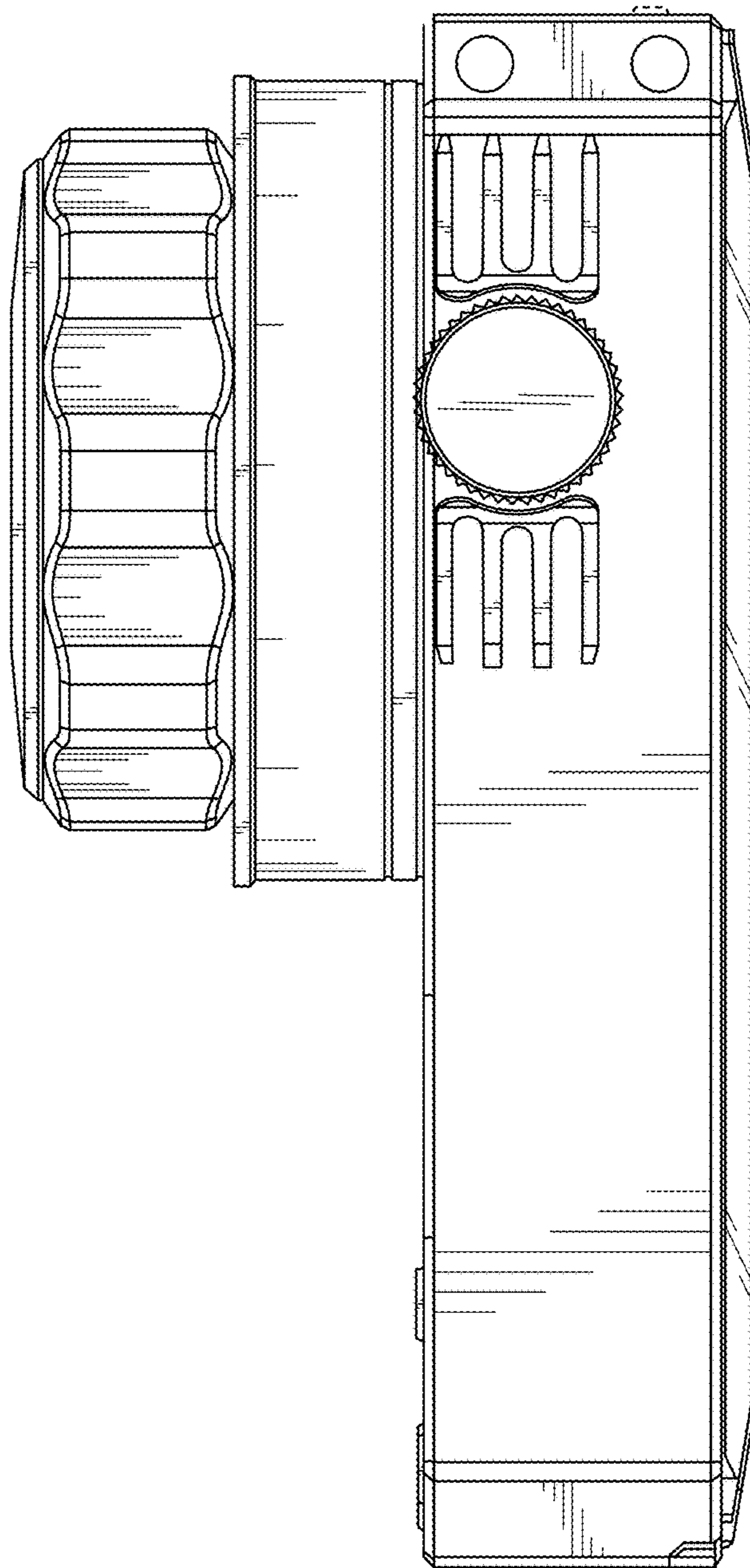


FIG. 4

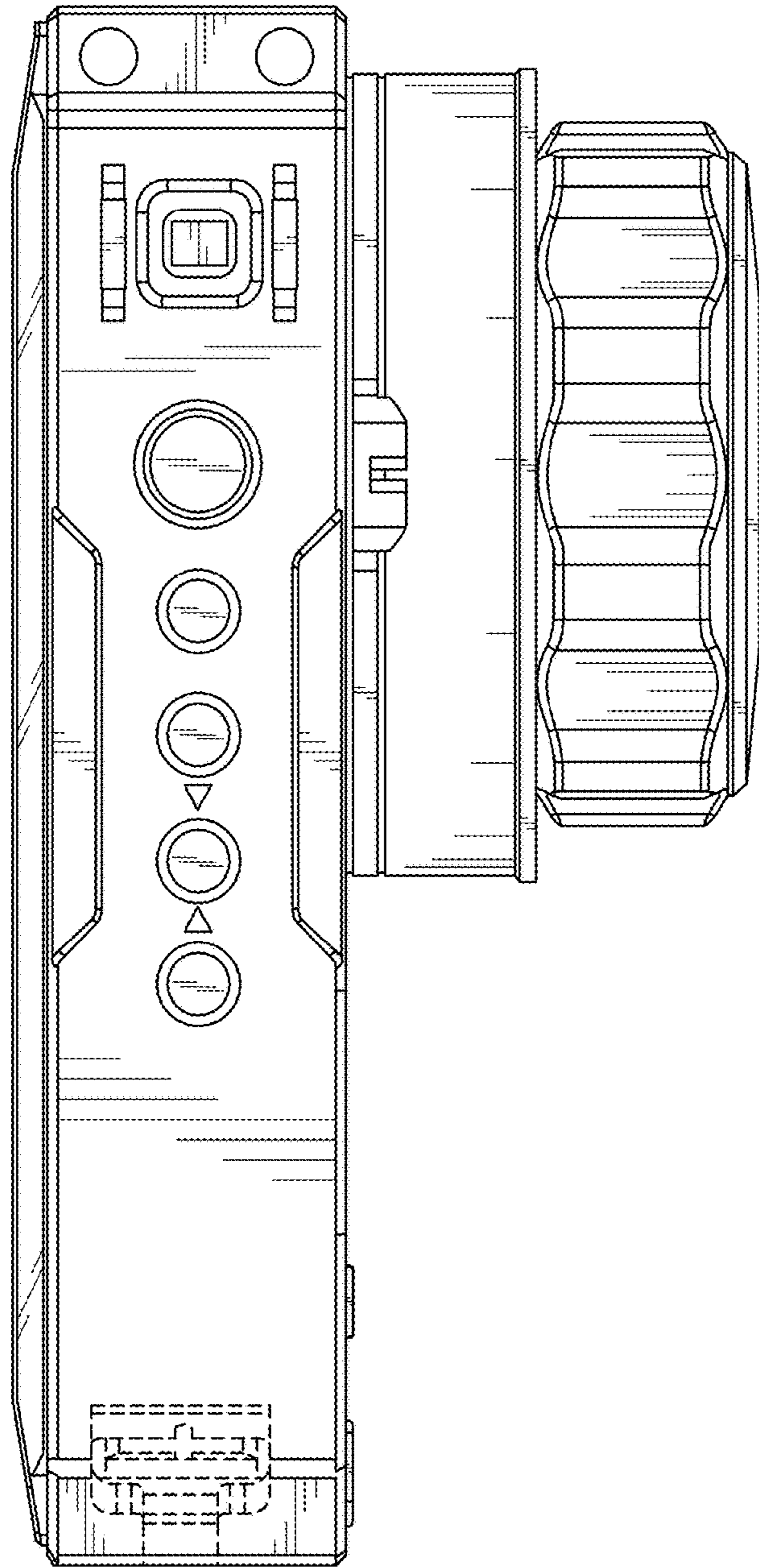


FIG. 5

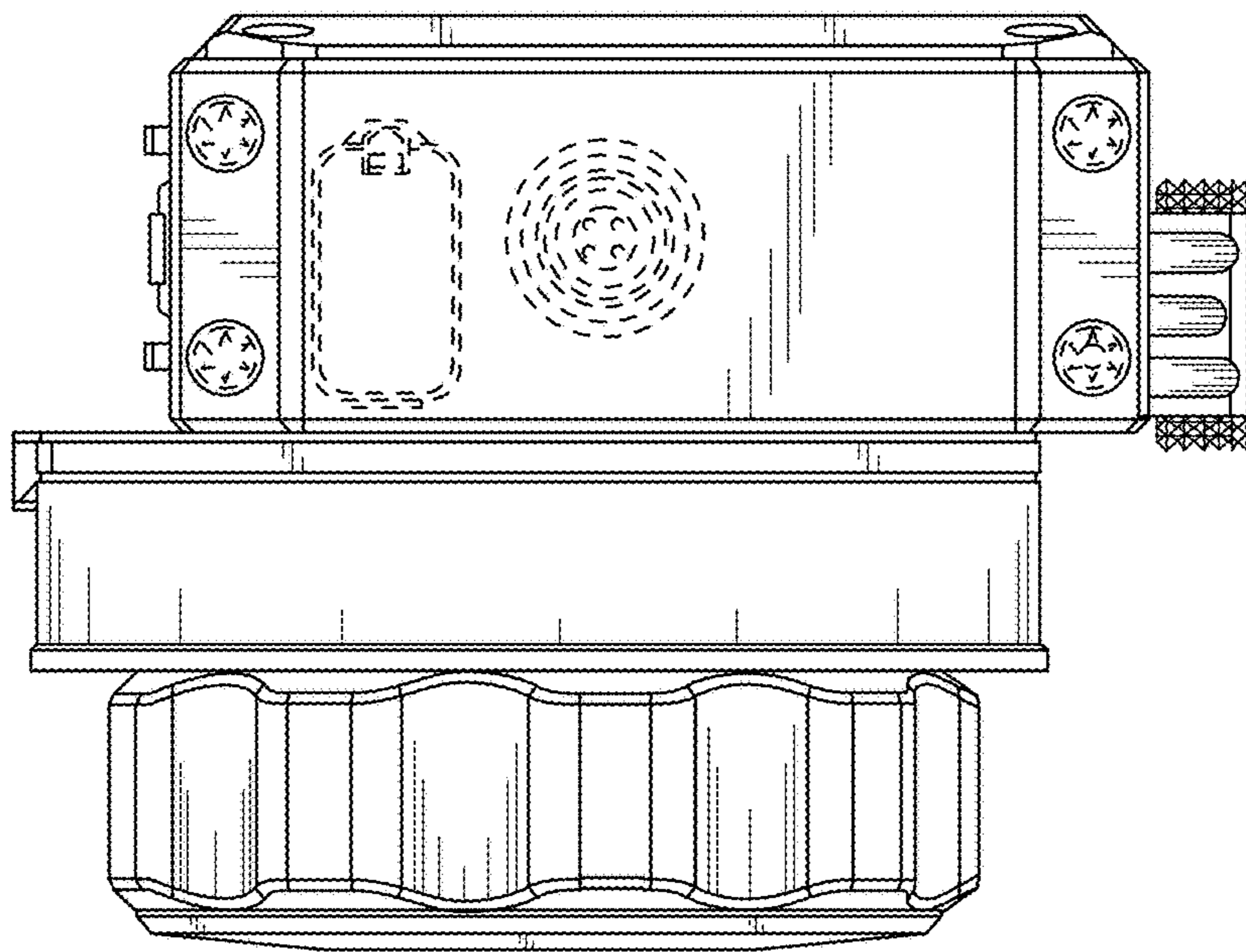


FIG. 6

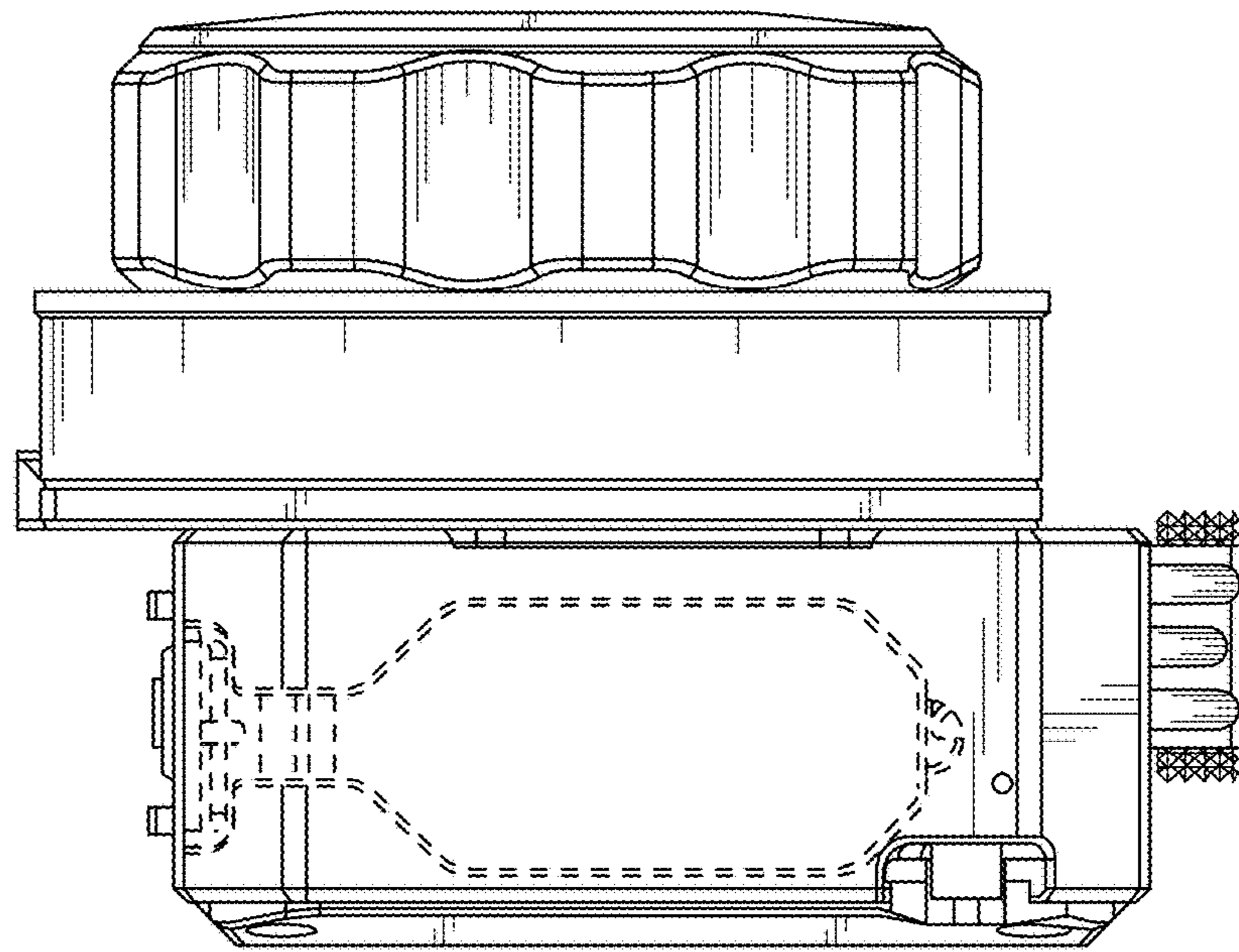


FIG. 7