



US00D835695S

(12) **United States Design Patent**
Hu

(10) **Patent No.:** **US D835,695 S**

(45) **Date of Patent:** **** Dec. 11, 2018**

(54) **VIRTUAL REALITY CAMERA**

(71) Applicant: **Shenzhen Visens Virtual Reality Technology Co., Ltd.**, Shenzhen, Guangdong (CN)

(72) Inventor: **Jinhui Hu**, Guangdong (CN)

(73) Assignee: **Shenzhen Visens Virtual Reality Technology Co., Ltd.**, Shenzhen (CN)

(**) Term: **15 Years**

(21) Appl. No.: **29/594,673**

(22) Filed: **Feb. 21, 2017**

(30) **Foreign Application Priority Data**

Jan. 24, 2017 (CN) 2017 3 0028707

(51) **LOC (11) Cl.** **16-01**

(52) **U.S. Cl.**
USPC **D16/202**

(58) **Field of Classification Search**

USPC D16/200, 202-204, 207, 208, 210, 218,
D16/219, 222; D12/400;
348/14.01-14.6, 143, 148, 151, 373-376;
396/419, 427, 428, 535, 539-541
CPC G03B 17/02; G03B 19/04; G03B 17/56;
G03B 17/04; G03B 15/03; H04N
2101/00; H04N 2007/145; H04N 7/141;
H04N 7/142; H04N 7/147; H04N 7/148;
H04N 7/15; H04N 7/152

See application file for complete search history.

(56) **References Cited**

U.S. PATENT DOCUMENTS

7,604,423 B2 * 10/2009 Nagata G03B 19/07
348/375
8,587,715 B2 * 11/2013 Takeda H04N 13/0239
348/231.4

D711,451 S * 8/2014 Katsuyama D16/208
D747,386 S * 1/2016 Li D16/208
D751,622 S * 3/2016 Mao D16/218
D763,341 S * 8/2016 Hinkel D16/203
D769,956 S * 10/2016 Hinkel D16/203
D795,940 S * 8/2017 Huang D16/203
D800,201 S * 10/2017 Song D16/202
2010/0123819 A1 * 5/2010 Yu H04N 5/2254
348/360
2013/0107110 A1 * 5/2013 Park H04N 5/2252
348/373

* cited by examiner

Primary Examiner — Philip S Hyder

Assistant Examiner — Ramzi S Almatrahi

(57) **CLAIM**

The ornamental design for a virtual reality camera, as shown and described.

DESCRIPTION

FIG. 1 is a front elevational view of a virtual reality camera showing my new design;

FIG. 2 is a rear elevational view thereof;

FIG. 3 is a left side view thereof;

FIG. 4 is a right side view thereof;

FIG. 5 is a top plan view thereof;

FIG. 6 is a bottom plan view thereof;

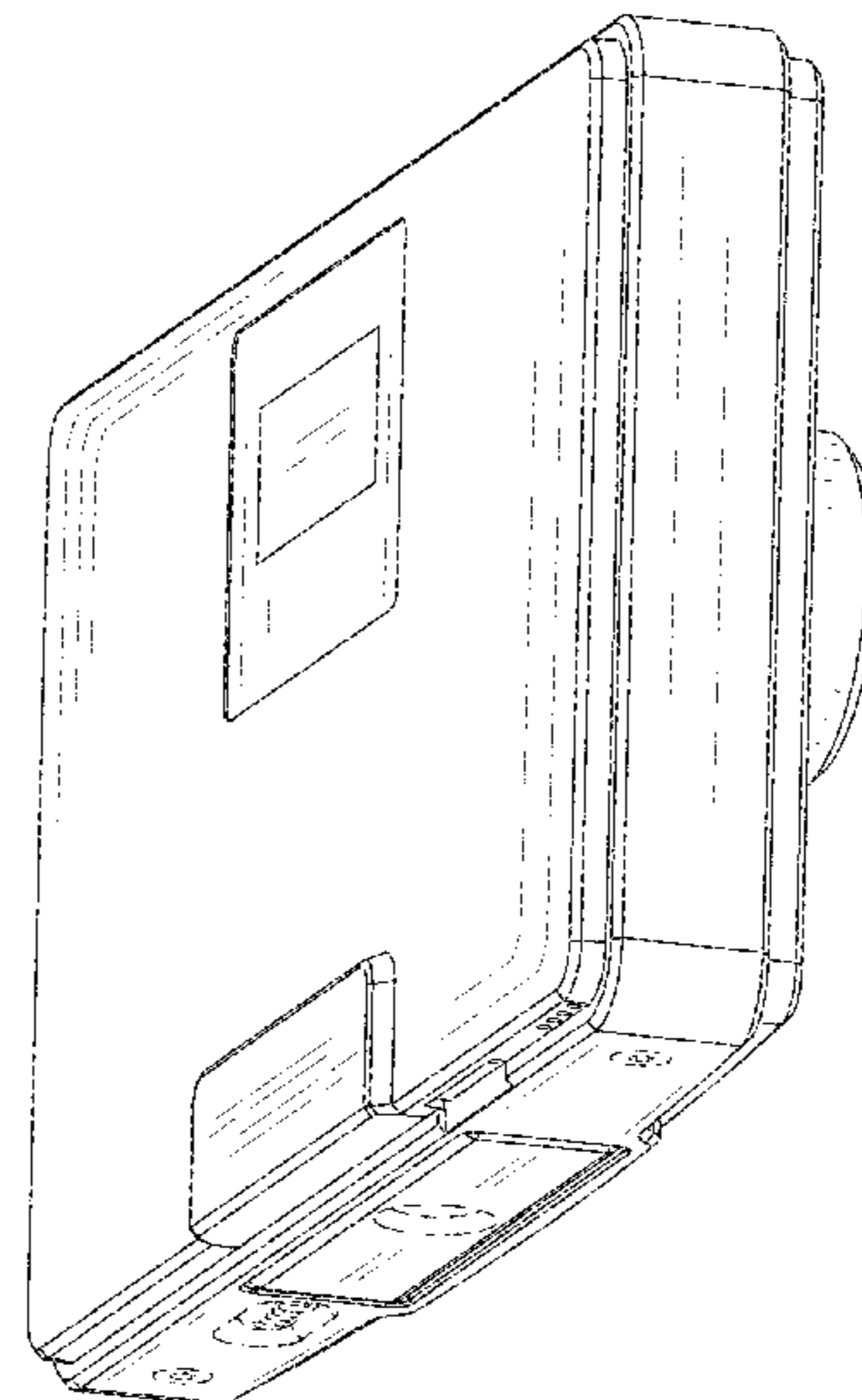
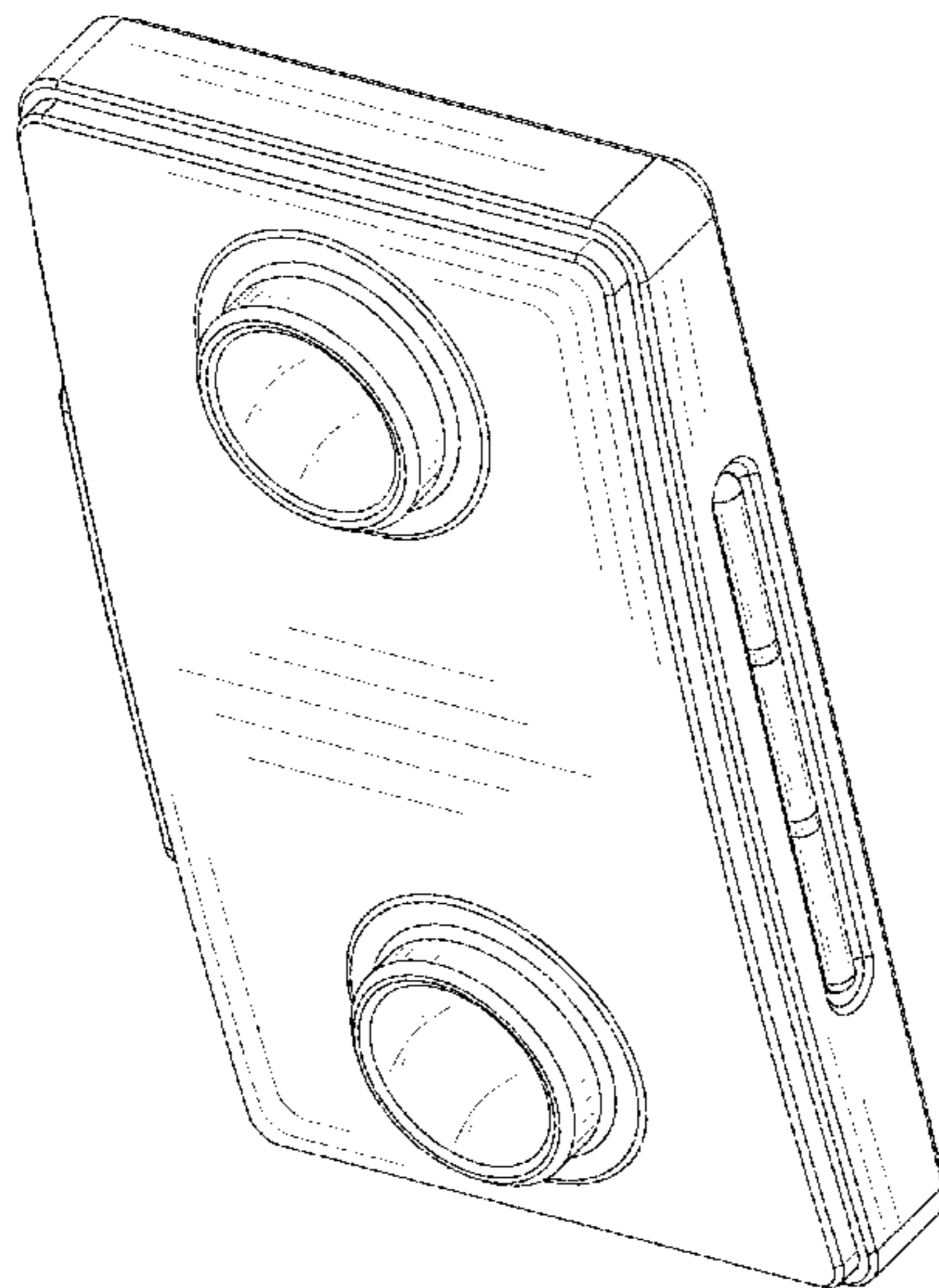
FIG. 7 is a bottom, front and left side perspective view thereof;

FIG. 8 is a top, front and left side perspective view thereof; and,

FIG. 9 is a bottom, rear and right side perspective view thereof.

The broken lines in the drawings illustrate portions of the virtual reality camera which form no part of the claimed design.

1 Claim, 9 Drawing Sheets



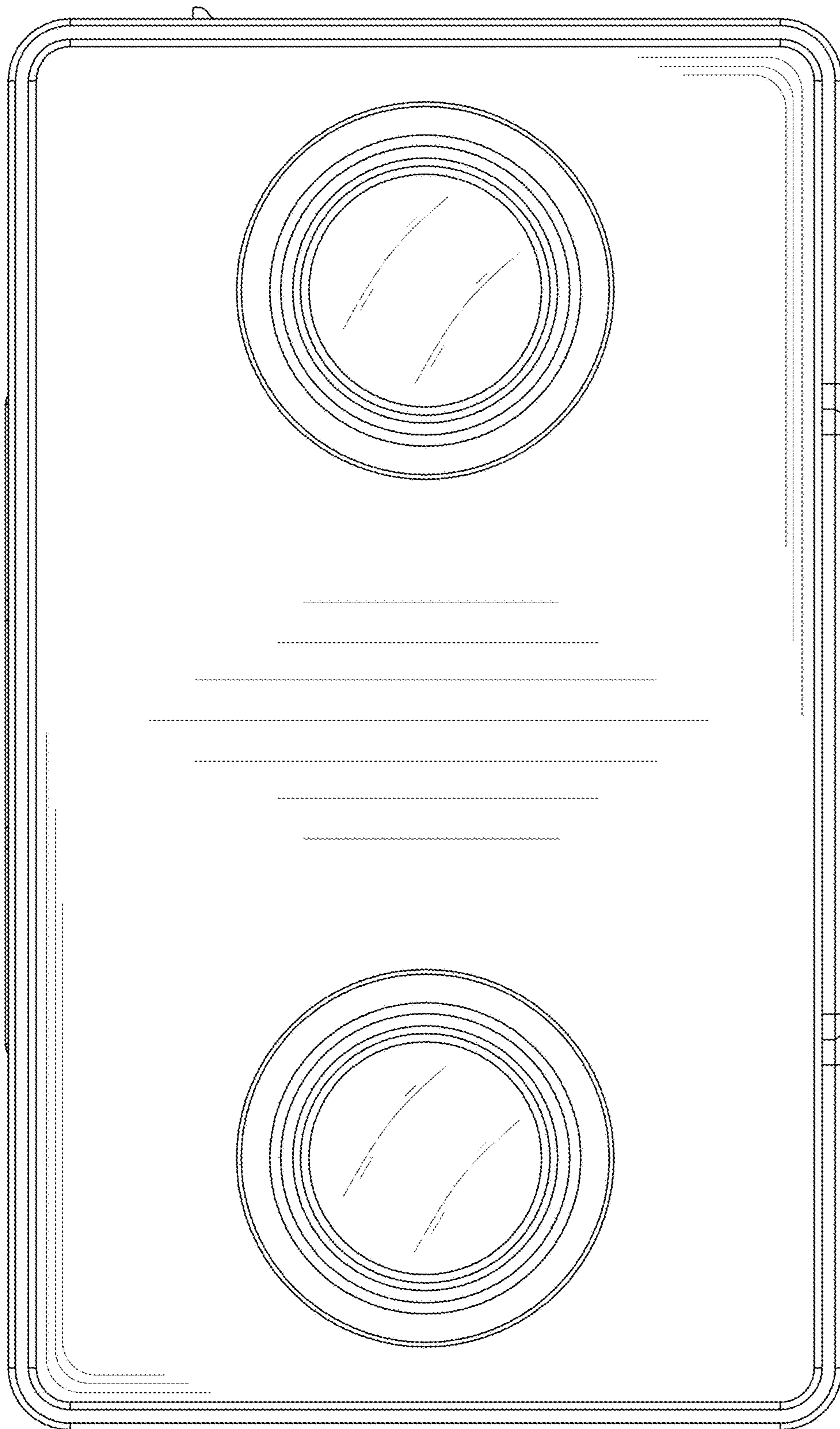


FIG. 1

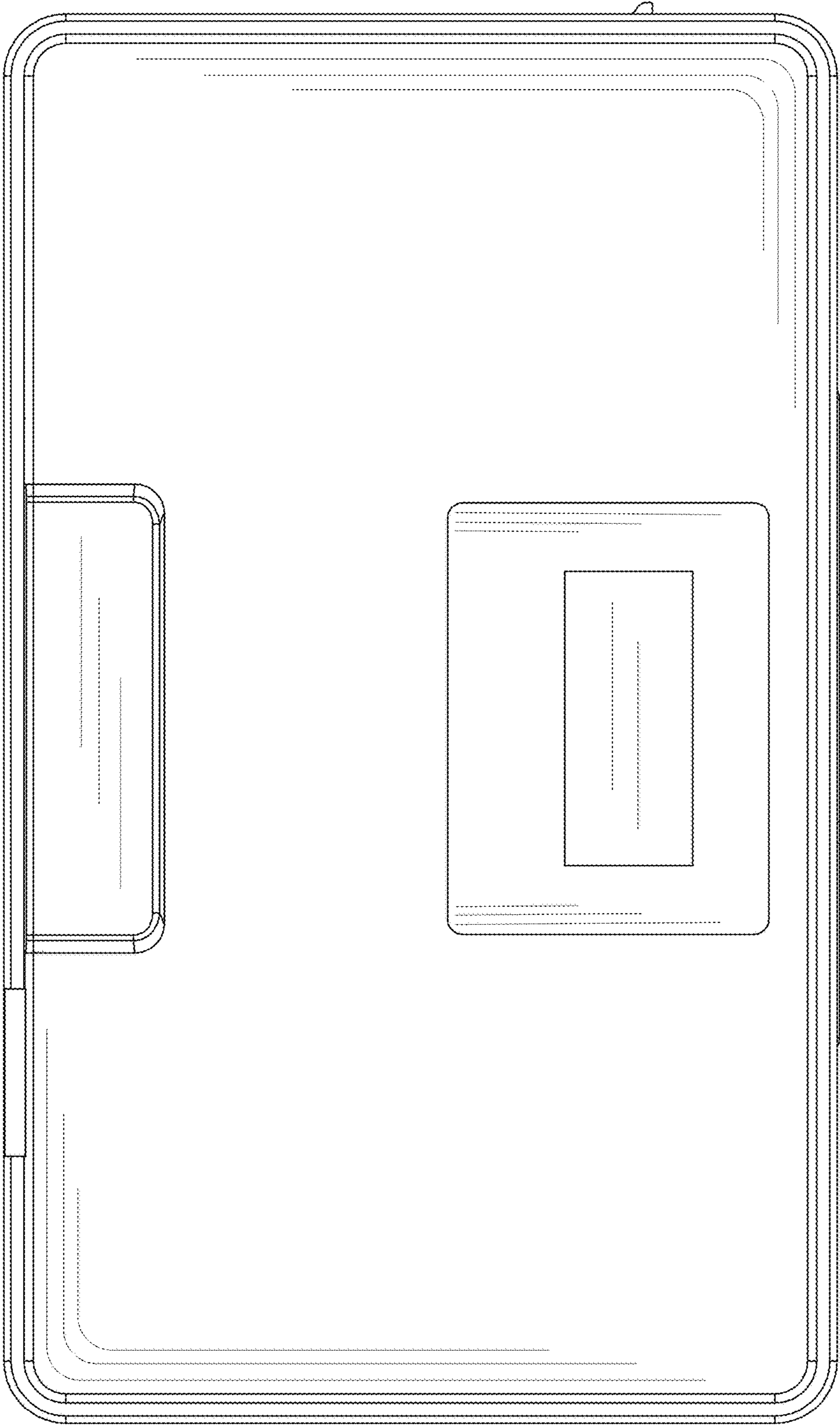


FIG. 2

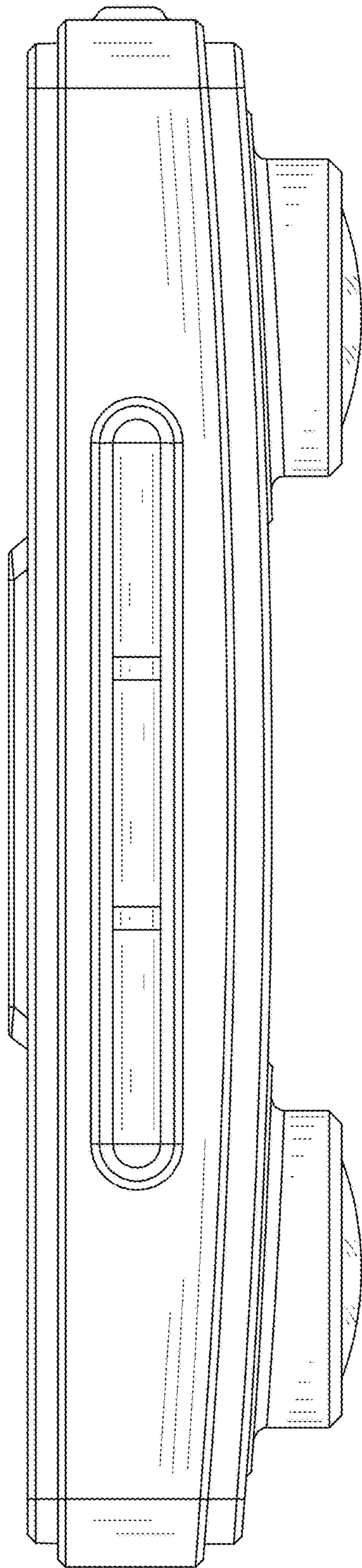


FIG. 3

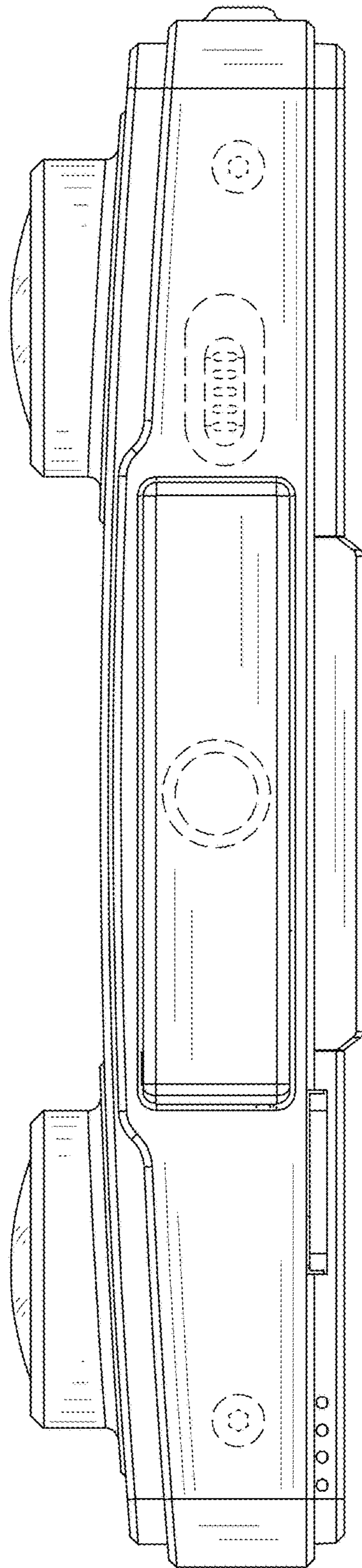


FIG. 4

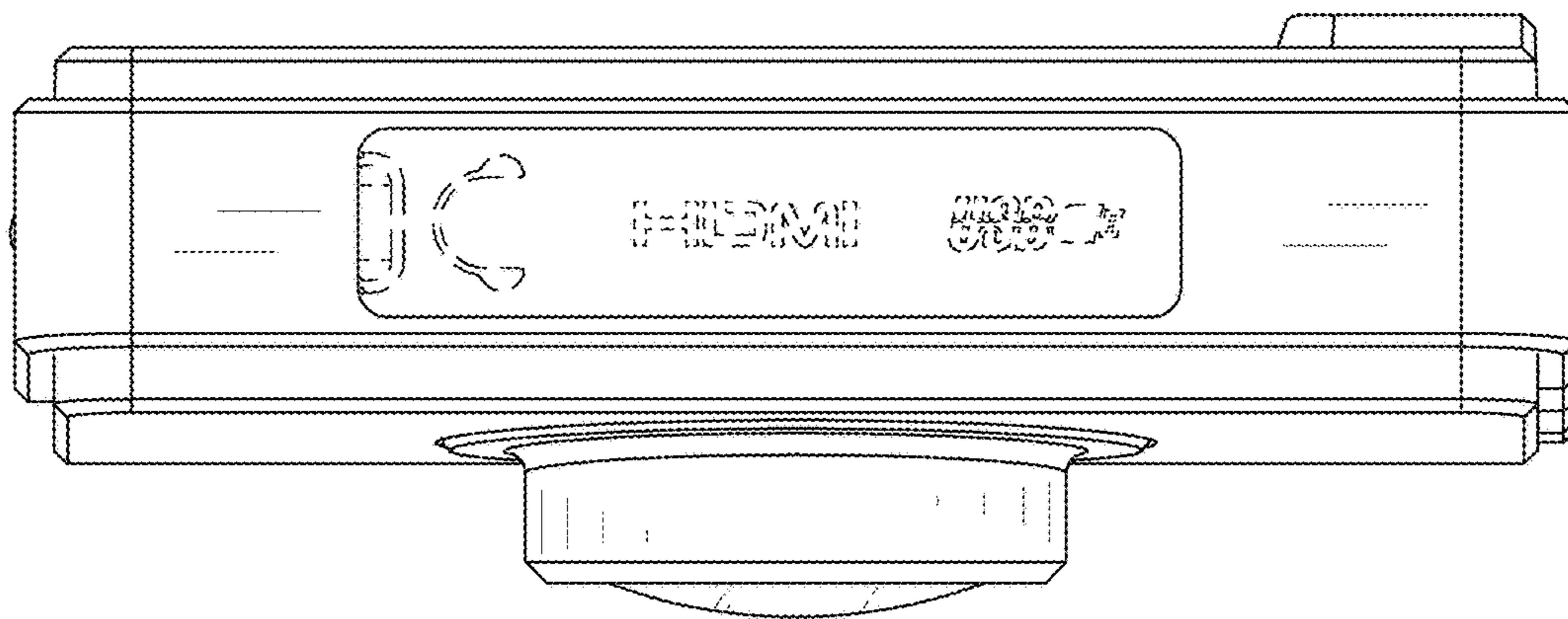


FIG. 5

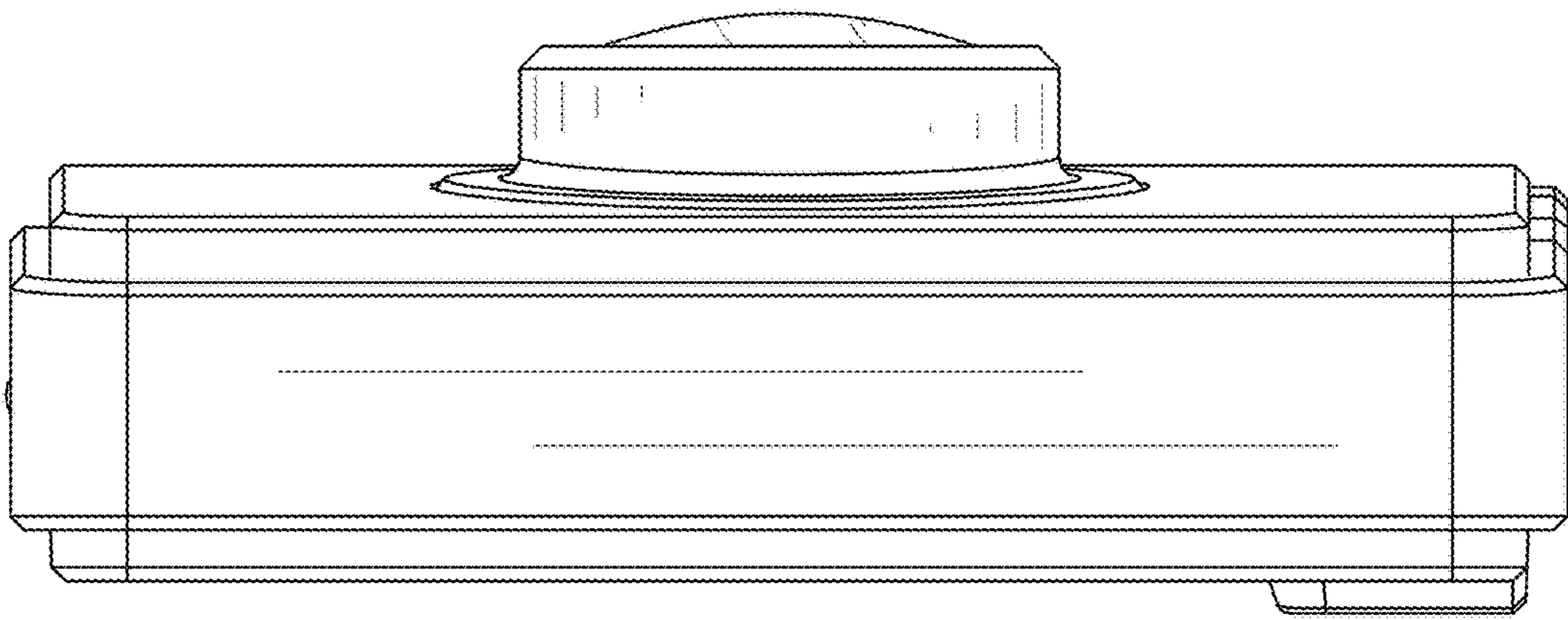


FIG. 6

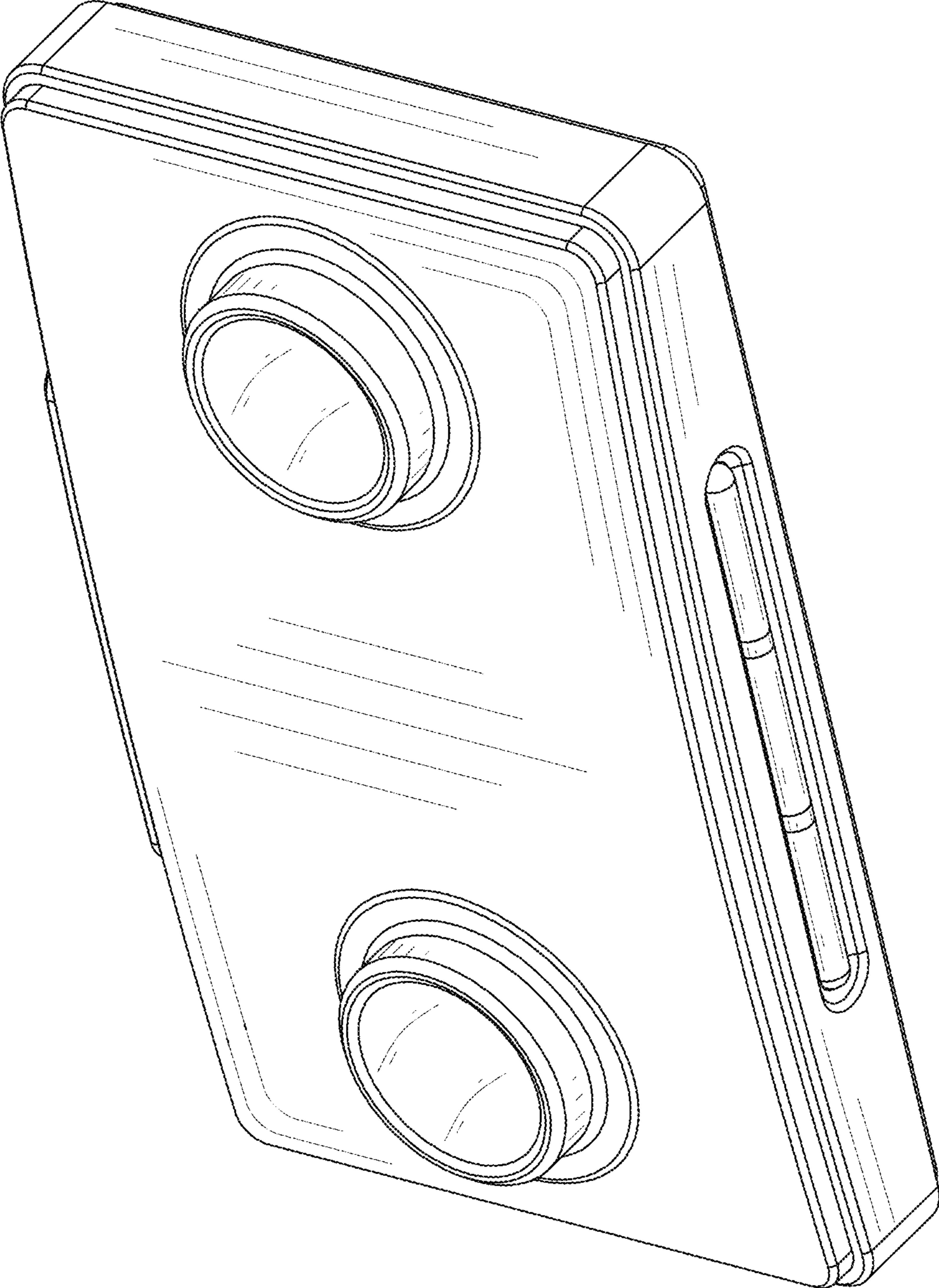


FIG. 7

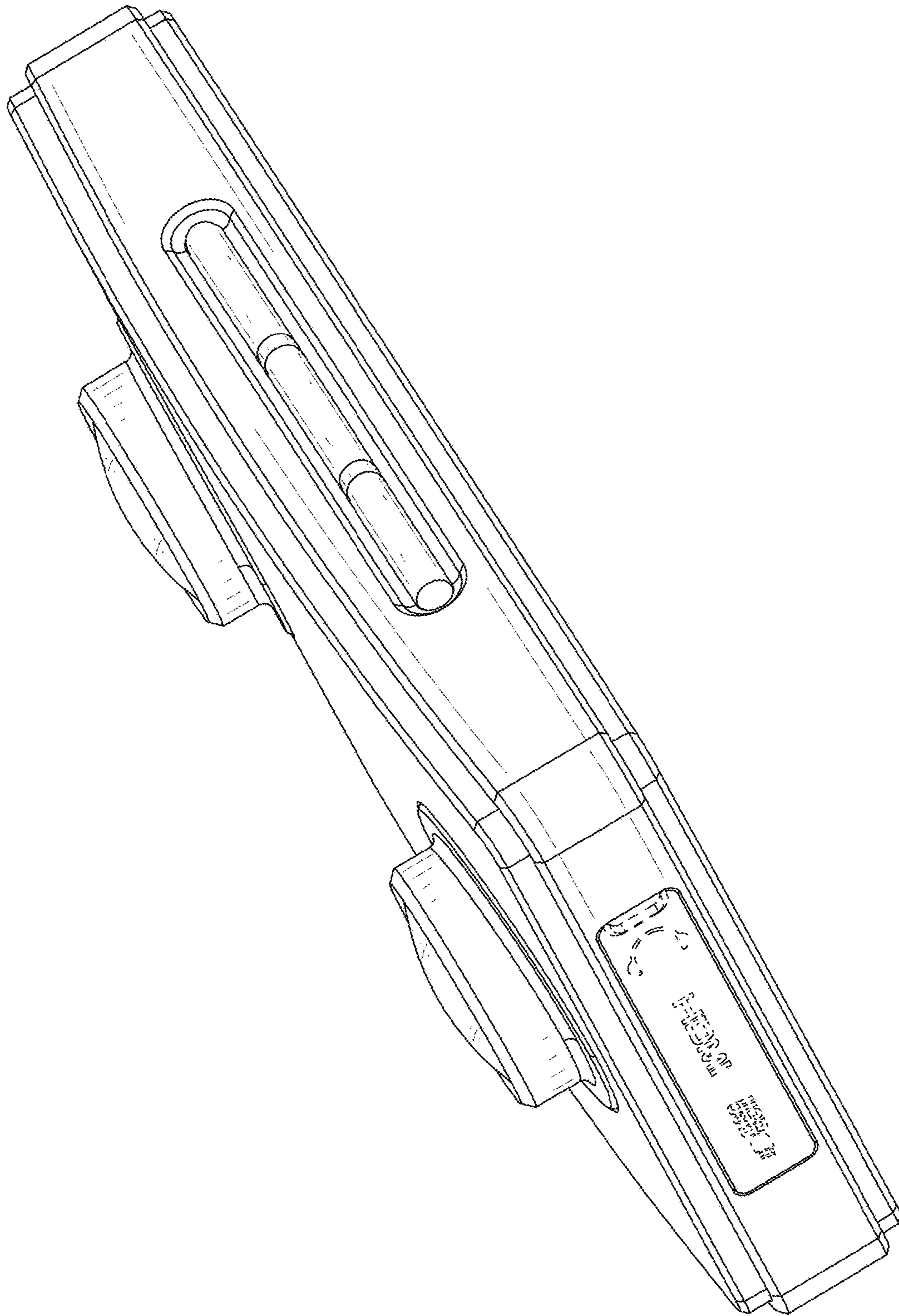


FIG. 8

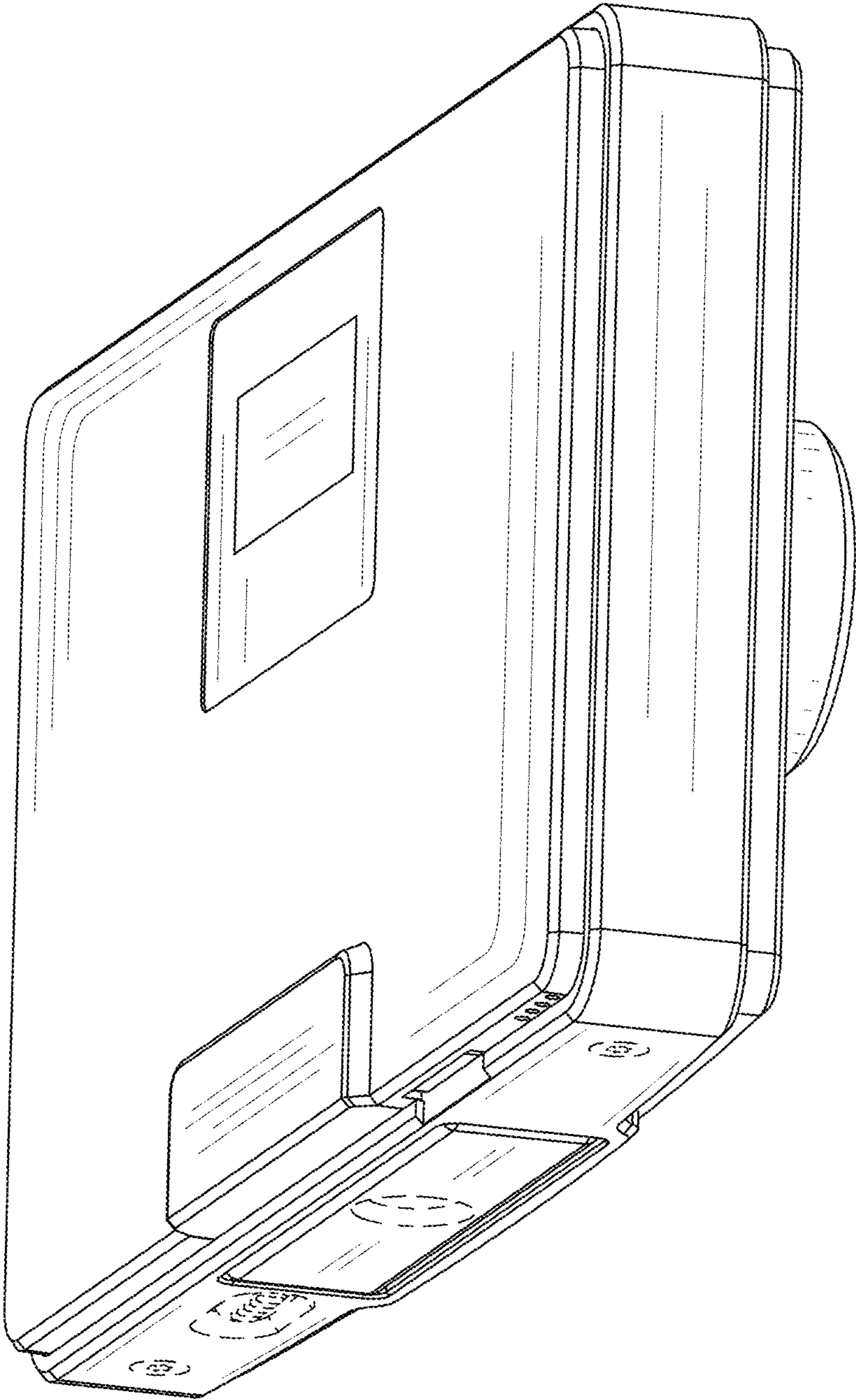


FIG. 9