



US00D835691S

(12) **United States Design Patent**
Gordon

(10) **Patent No.:** **US D835,691 S**

(45) **Date of Patent:** **** Dec. 11, 2018**

(54) **COLLET STOP**

(71) Applicant: **Sean E. Gordon**, Tucson, AZ (US)

(72) Inventor: **Sean E. Gordon**, Tucson, AZ (US)

(**) Term: **15 Years**

(21) Appl. No.: **29/604,216**

(22) Filed: **May 16, 2017**

(51) **LOC (11) Cl.** **15-03**

(52) **U.S. Cl.**
USPC **D15/140**

(58) **Field of Classification Search**

USPC D15/139, 140; D8/70, 85, 86
CPC . B23B 31/02; B23B 2250/12; B23B 2250/16;
B23B 31/1179; B23B 31/201; B23B
2215/04; B23B 2231/022; B23B
2231/0224; B23B 2231/0228; B23B
2231/0232; B23B 2231/024; B23B
2231/026; B23B 2231/04; B23B
2231/2005; B23B 2231/2016; B23B
2231/2032; B23B 2231/2035; B23B
2231/2037; B23B 2231/2091; B23B
2240/04; B23B 2240/28; B23B 2247/04;
B23B 2247/08; B23B 2247/12; B23B
2260/026; B23B 2260/108

See application file for complete search history.

(56) **References Cited**

U.S. PATENT DOCUMENTS

3,837,759 A * 9/1974 Bittern B23B 51/0473
144/23
D655,592 S * 3/2012 Baumann D8/70

D656,805 S * 4/2012 Baumann D8/70
D684,833 S * 6/2013 Baumann D15/140
D722,091 S * 2/2015 Tokura D15/140
D723,897 S * 3/2015 Lenyo D15/140
D742,443 S * 11/2015 Whitmer D15/140
D766,058 S * 9/2016 Moreau D8/71
D766,059 S * 9/2016 Moreau D8/71
D773,270 S * 12/2016 Moreau D8/71
2009/0279971 A1 * 11/2009 O'Keefe B23B 51/0473
408/204
2009/0279972 A1 * 11/2009 Novak B23B 51/0473
408/239 R
2013/0101366 A1 * 4/2013 Sanders B23B 51/0406
408/1 BD

* cited by examiner

Primary Examiner — Ian Simmons

Assistant Examiner — Khawaja Anwar

(74) *Attorney, Agent, or Firm* — Lyman Moulton, Esq.

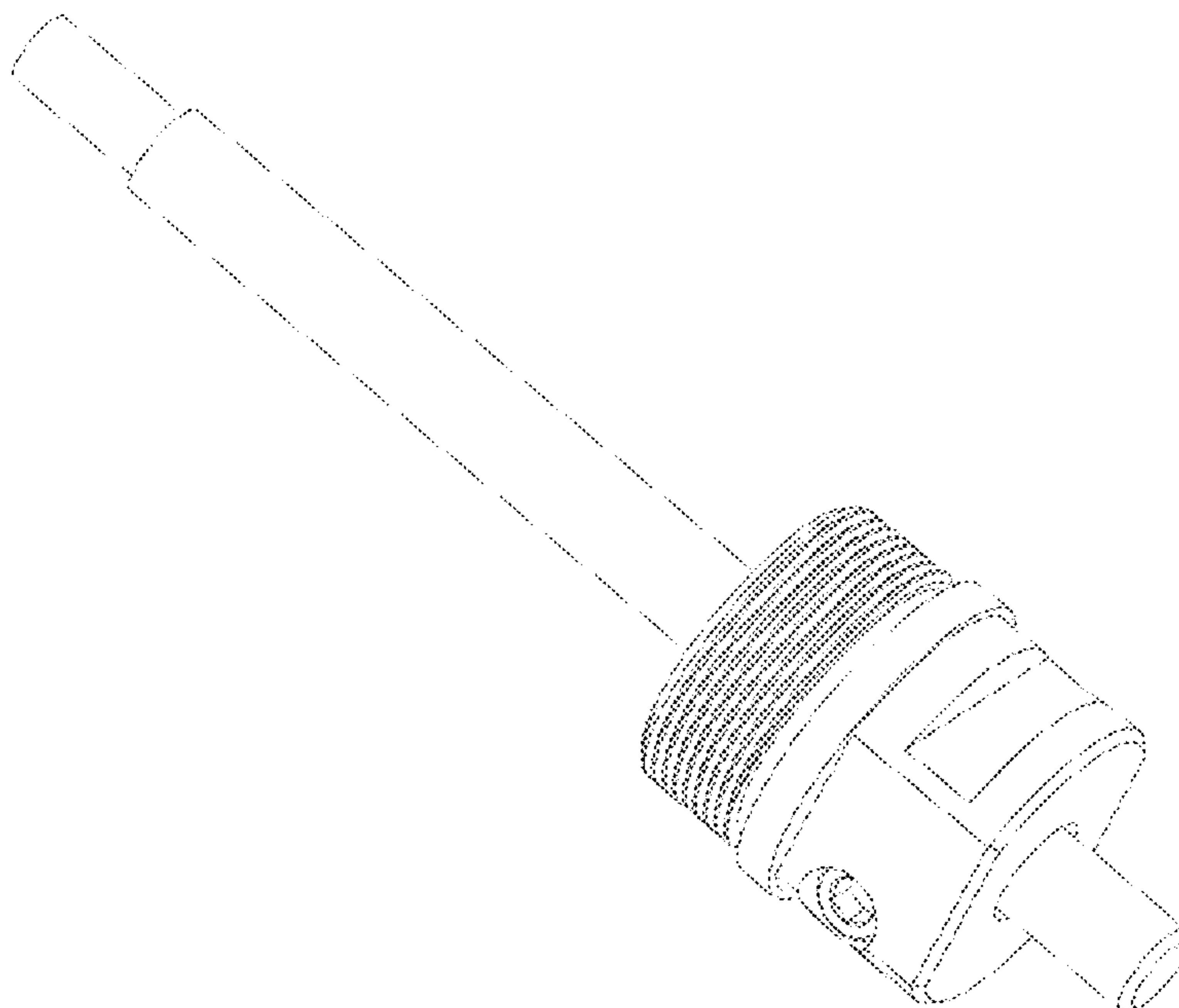
(57) **CLAIM**

The ornamental design for a collet stop, as shown and described.

DESCRIPTION

FIG. 1 is a left perspective view of a collet stop showing my new design;
FIG. 2 is a right perspective view thereof;
FIG. 3 is a top elevational view thereof;
FIG. 4 is a bottom elevational view thereof;
FIG. 5 is a left elevational view thereof;
FIG. 6 is a right elevational view thereof;
FIG. 7 is a front elevational view thereof; and,
FIG. 8 is a back elevational view thereof.

1 Claim, 5 Drawing Sheets



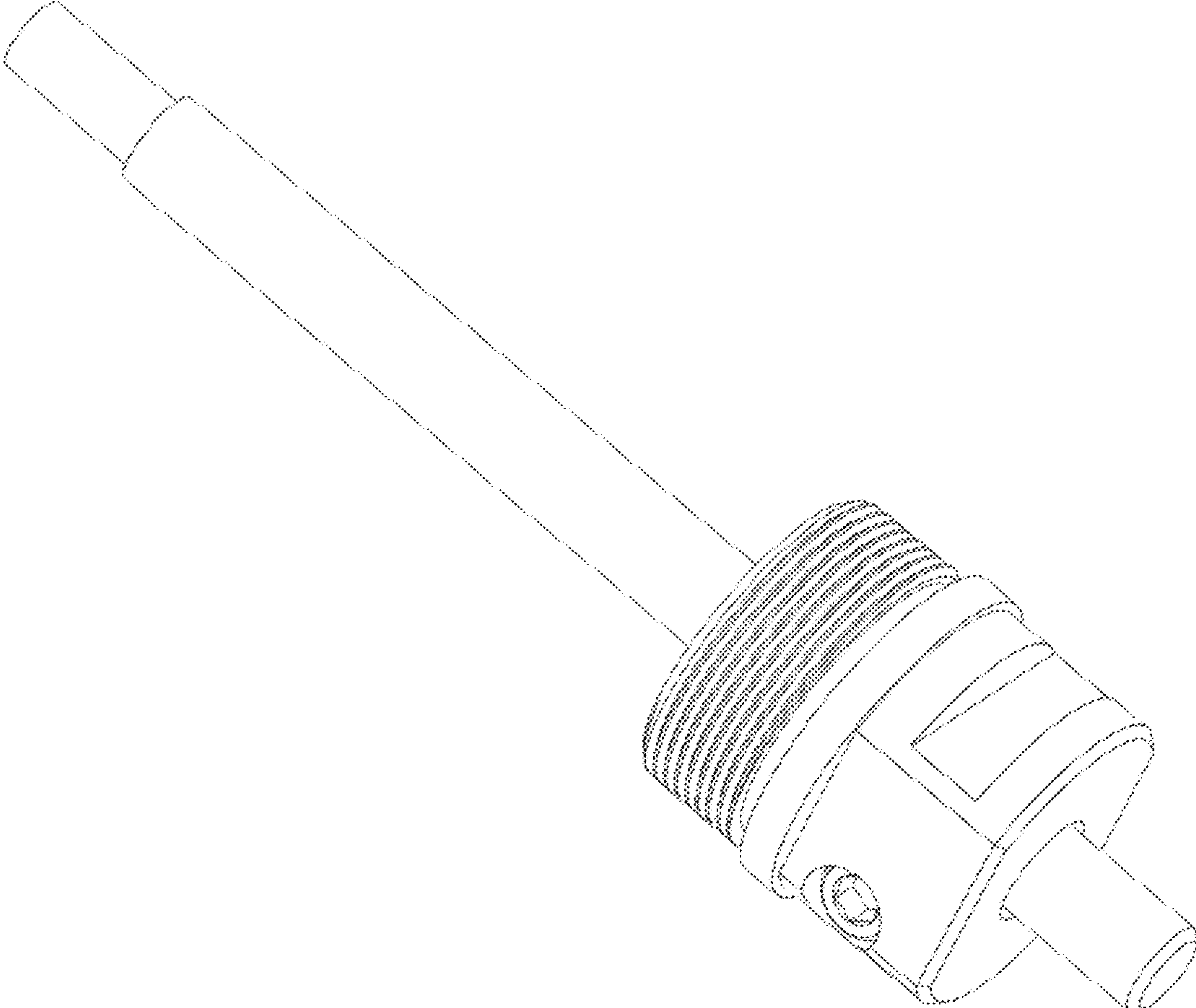


FIG. 1

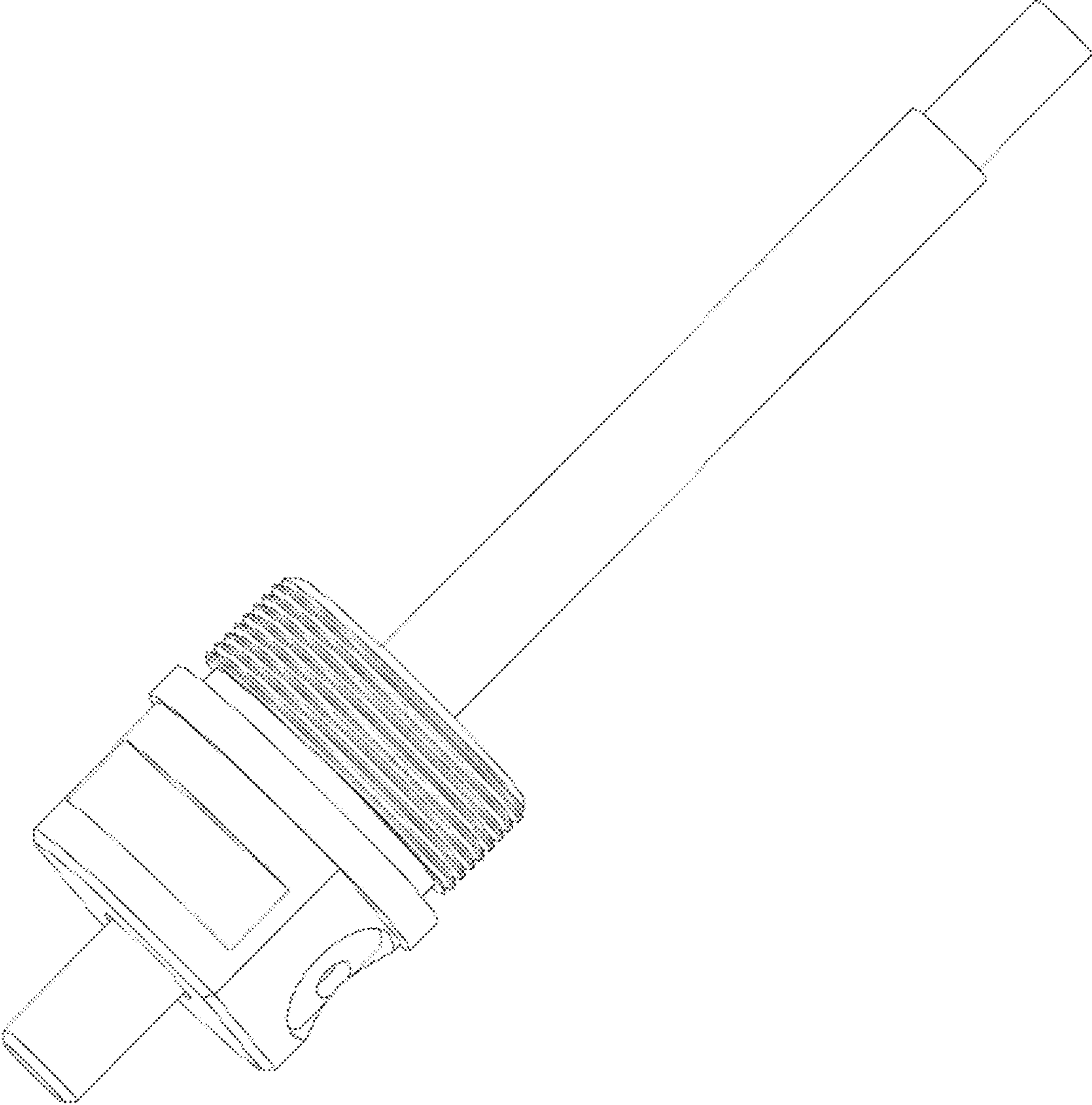


FIG. 2

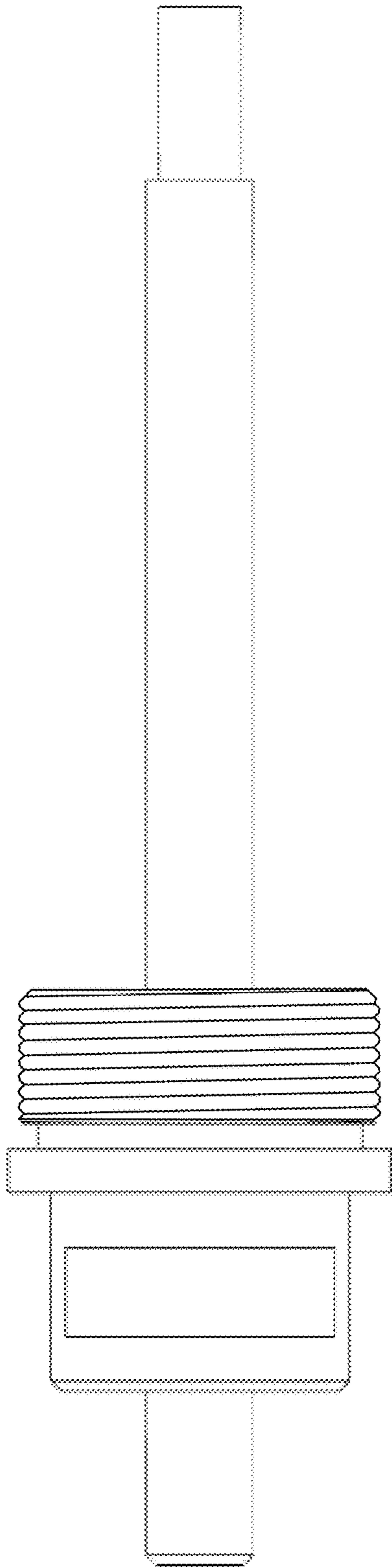


FIG. 3

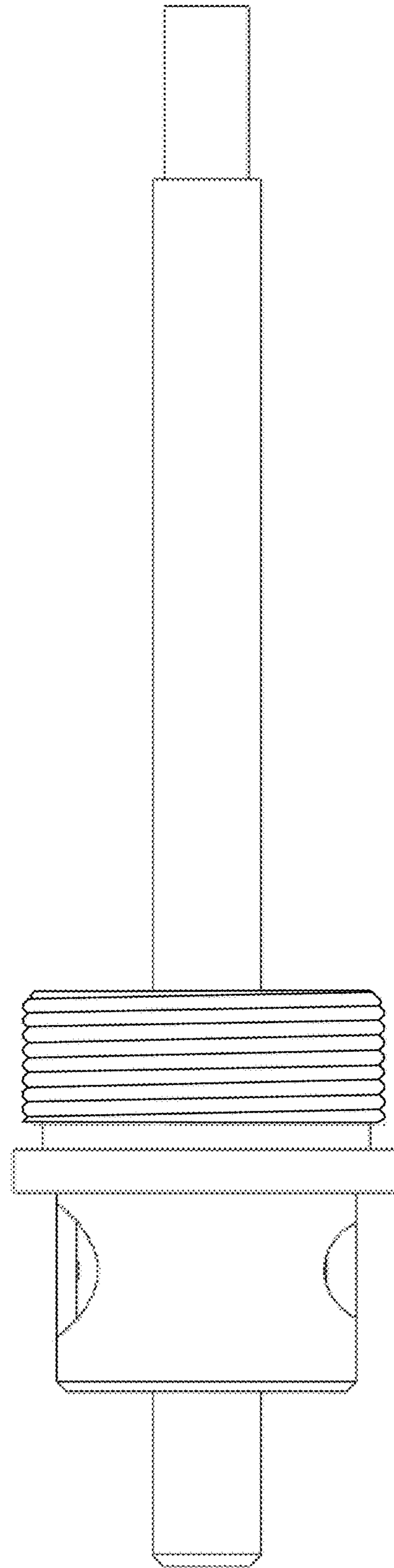


FIG. 4

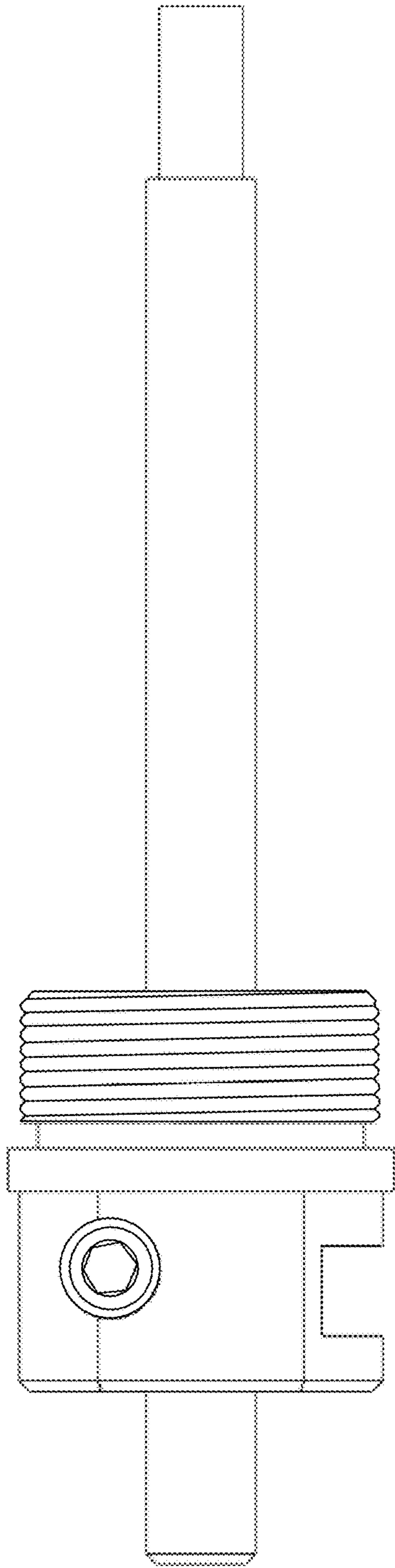


FIG. 5

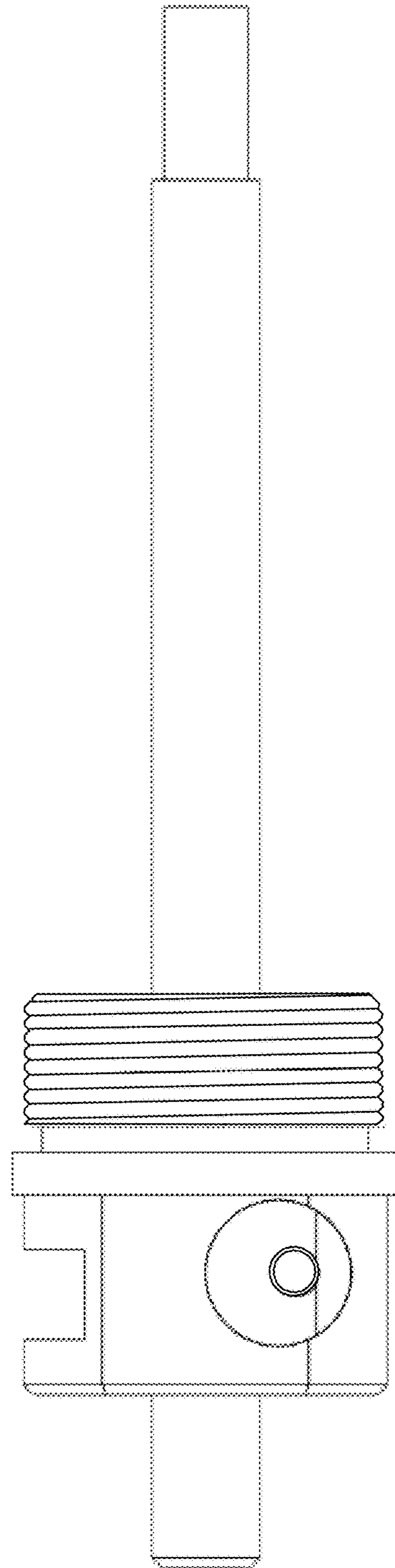


FIG. 6

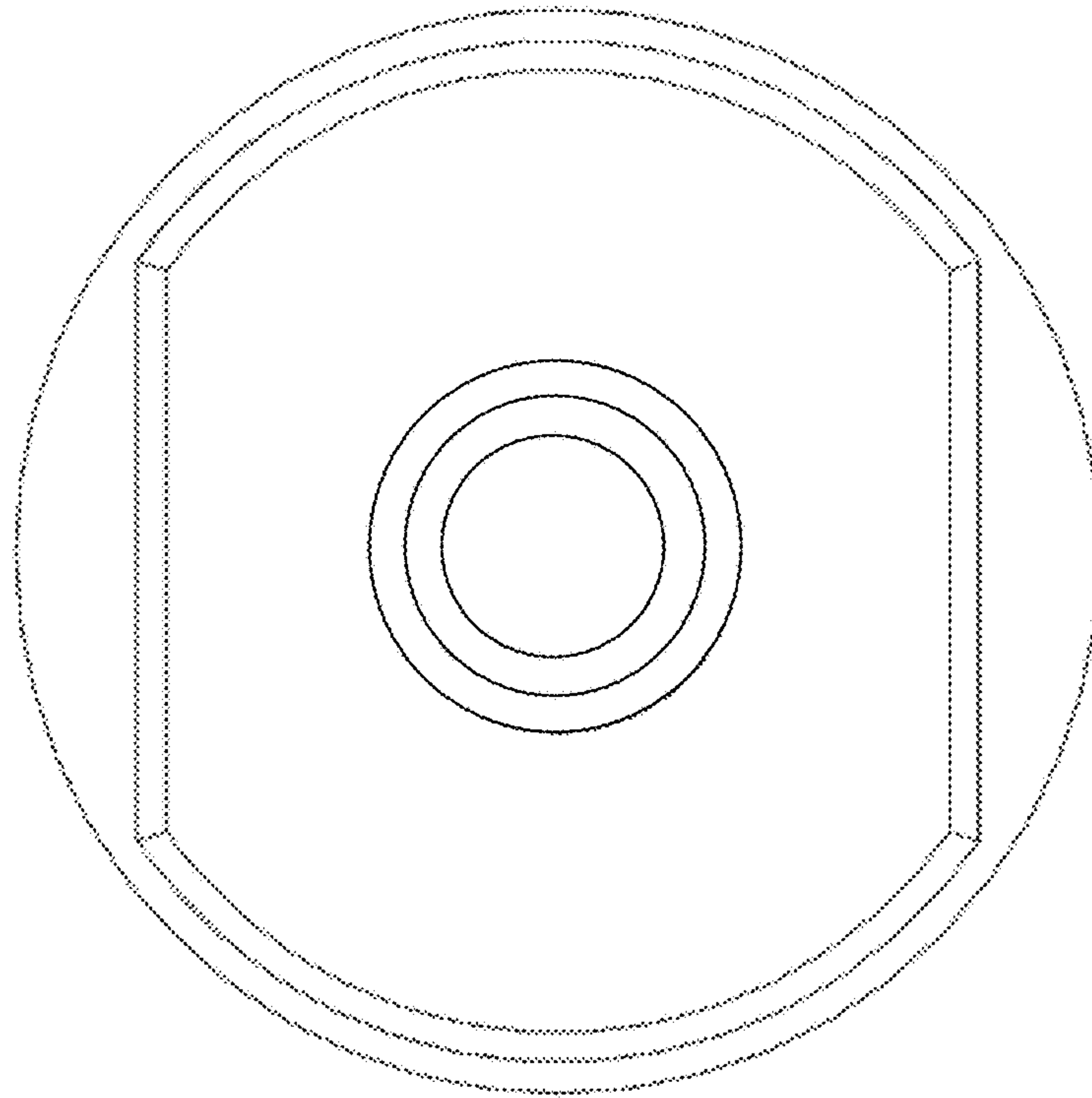


FIG. 7

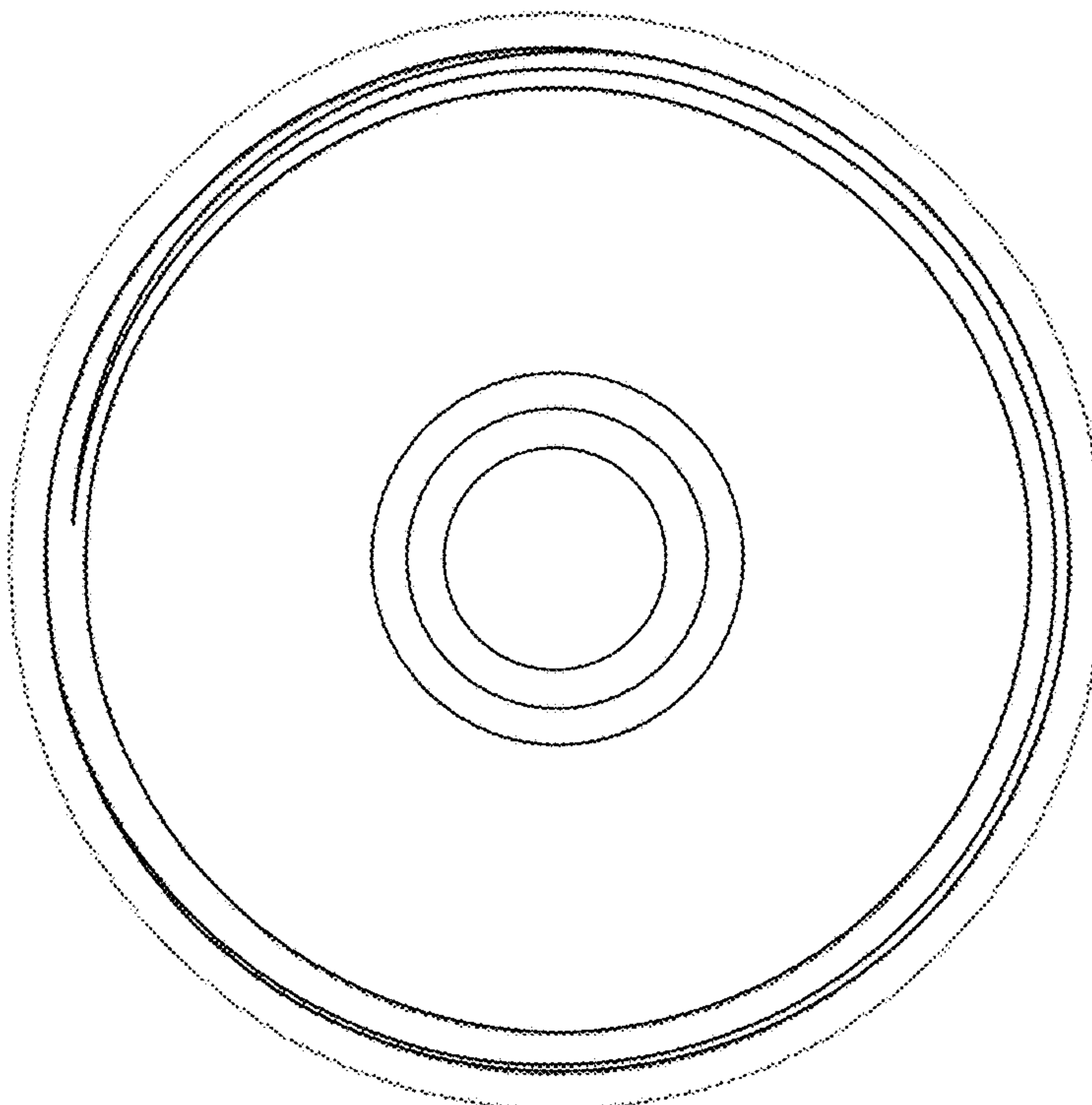


FIG. 8