



US00D835686S

(12) **United States Design Patent**  
**Zieman et al.**

(10) **Patent No.:** **US D835,686 S**

(45) **Date of Patent:** **\*\* Dec. 11, 2018**

- (54) **PRESSER FOOT WITH SAFETY GUARD FOR SEWING MACHINE**
- (71) Applicant: **CLOVER MFG. CO., LTD.**,  
Osaka-shi, Osaka (JP)
- (72) Inventors: **Nancy L. Zieman**, Beaver Dam, WI  
(US); **Yuji Kawasaki**, Osaka (JP)
- (73) Assignee: **CLOVER MFG. CO., LTD.**, Osaka  
(JP)
- (\*\*) Term: **15 Years**
- (21) Appl. No.: **29/618,683**
- (22) Filed: **Sep. 22, 2017**
- (51) **LOC (11) Cl.** ..... **15-06**
- (52) **U.S. Cl.**  
USPC ..... **D15/72**
- (58) **Field of Classification Search**  
USPC ..... D15/66-78  
CPC ..... D05B 1/00-25/00; D05B 29/00  
See application file for complete search history.

(56) **References Cited**

**U.S. PATENT DOCUMENTS**

3,342,151	A *	9/1967	Howell	.....	D05B 29/06 112/235
3,420,197	A *	1/1969	Jacobsen	.....	D05B 9/00 112/235
3,716,008	A *	2/1973	Howell	.....	D05B 3/18 112/240
3,726,243	A *	4/1973	Howell	.....	D05B 29/10 112/235
3,735,718	A *	5/1973	Vizgirda	.....	D05B 29/06 112/235
D228,686	S *	10/1973	Tanner	.....	D15/72
3,854,432	A *	12/1974	Howell	.....	D05B 29/06 112/235

3,858,539	A *	1/1975	Van Amburg	.....	D05B 29/08 112/235
3,859,939	A *	1/1975	Howell	.....	D05B 29/06 112/235
3,901,170	A *	8/1975	Takamatsu	.....	D05B 29/06 112/235
3,993,009	A *	11/1976	Osaki	.....	D05B 29/08 112/235
D243,555	S *	3/1977	Drew	.....	D15/72
4,136,626	A *	1/1979	Kandou	.....	D05B 29/06 112/235
4,278,039	A *	7/1981	Hanyu	.....	D05B 29/10 112/240
D296,443	S *	6/1988	Griffith	.....	D15/72
4,848,257	A *	7/1989	Lee	.....	D05B 29/10 112/235
4,979,449	A *	12/1990	Graves	.....	D05B 29/08 112/235
D508,501	S *	8/2005	Kawaguchi	.....	D15/72
D509,229	S *	9/2005	Kawaguchi	.....	D15/72
D514,135	S *	1/2006	Kawaguchi	.....	D15/72

(Continued)

*Primary Examiner* — Mitchell I. Siegel

(74) *Attorney, Agent, or Firm* — Hamre, Schumann,  
Mueller & Larson, P.C.

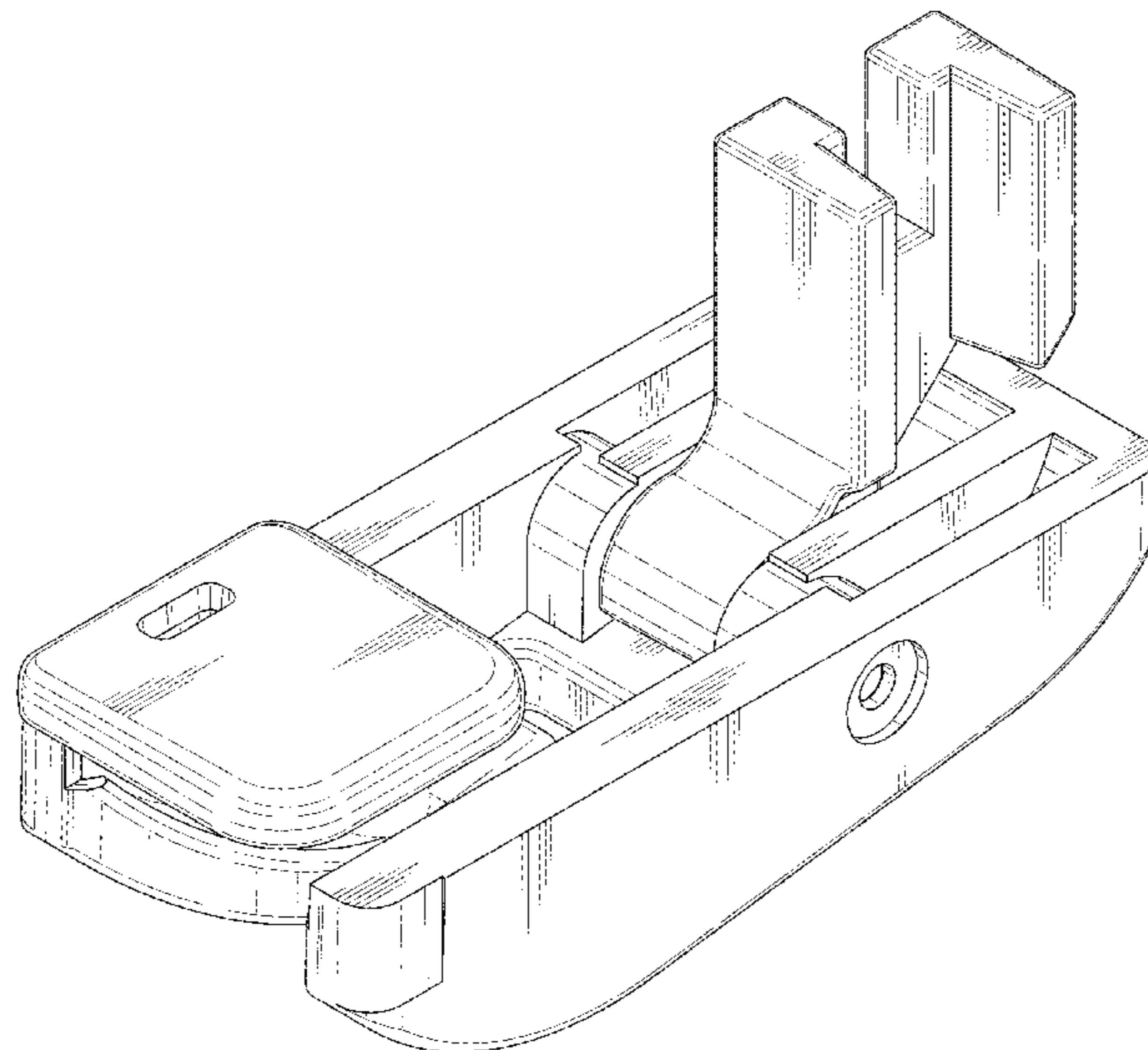
(57) **CLAIM**

We claim the ornamental design for a presser foot with safety guard for sewing machine, as shown.

**DESCRIPTION**

FIG. 1 is a perspective view of a presser foot with safety guard for sewing machine according to our design; FIG. 2 is a front elevational view of the same; FIG. 3 is a rear elevational view of the same; FIG. 4 is a top plan view of the same; FIG. 5 is a bottom view of the same; FIG. 6 is a left side elevational view of the same; and, FIG. 7 is a right side elevational view of the same.

**1 Claim, 7 Drawing Sheets**



(56)

**References Cited**

U.S. PATENT DOCUMENTS

D515,112 S \* 2/2006 Kawaguchi ..... D15/72  
D515,594 S \* 2/2006 Kawaguchi ..... D15/72

\* cited by examiner

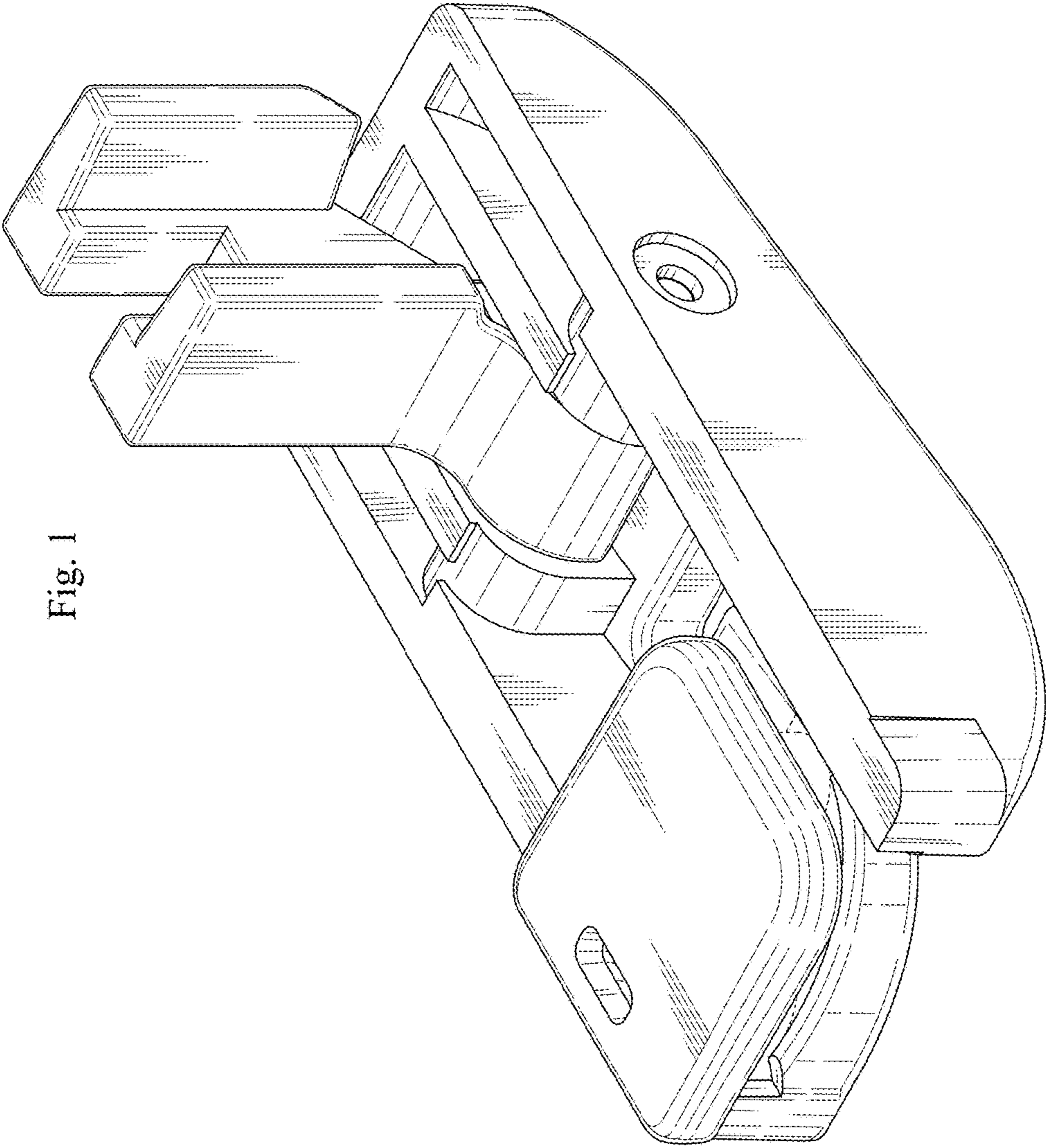


Fig. 1

Fig. 2

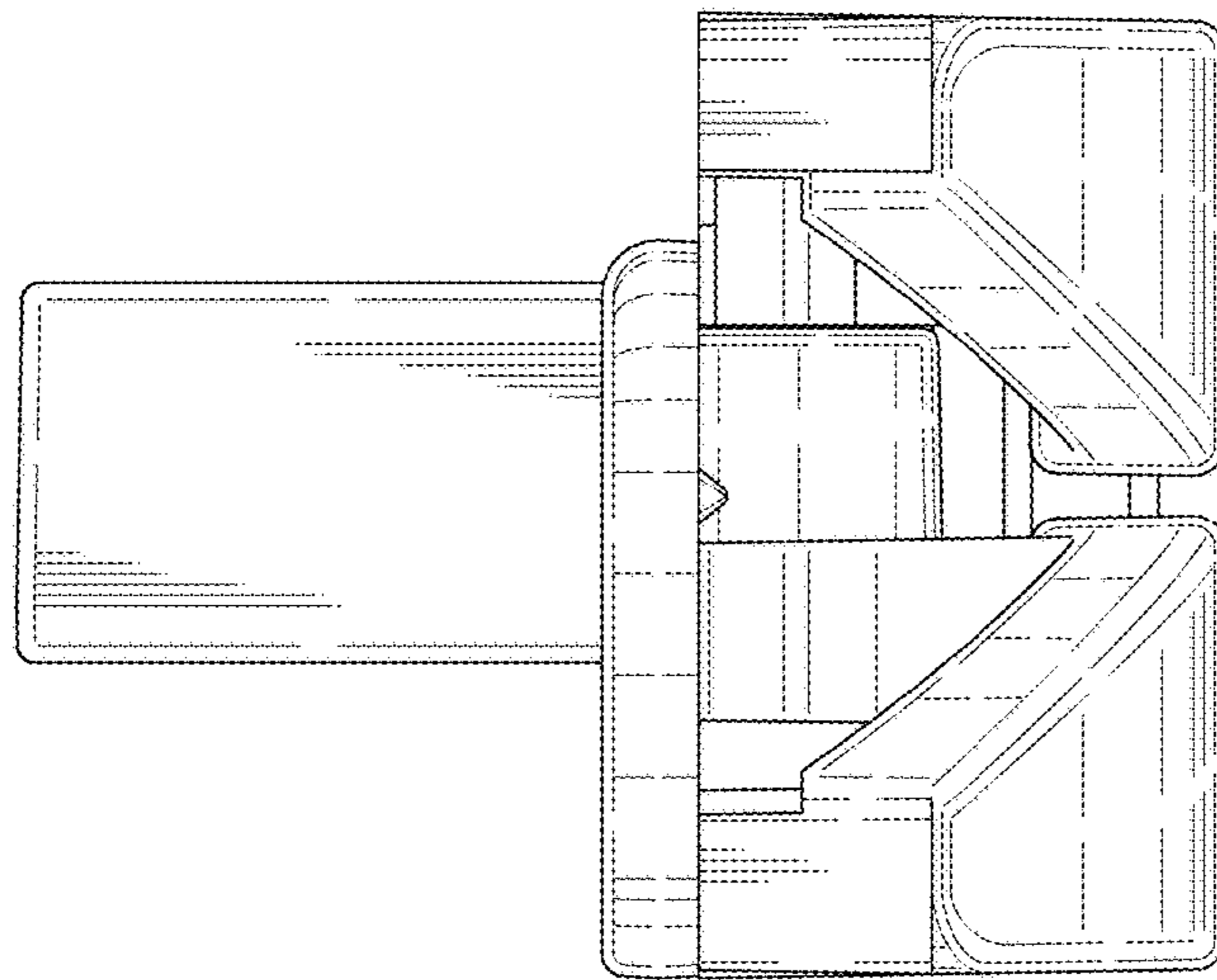


Fig. 3

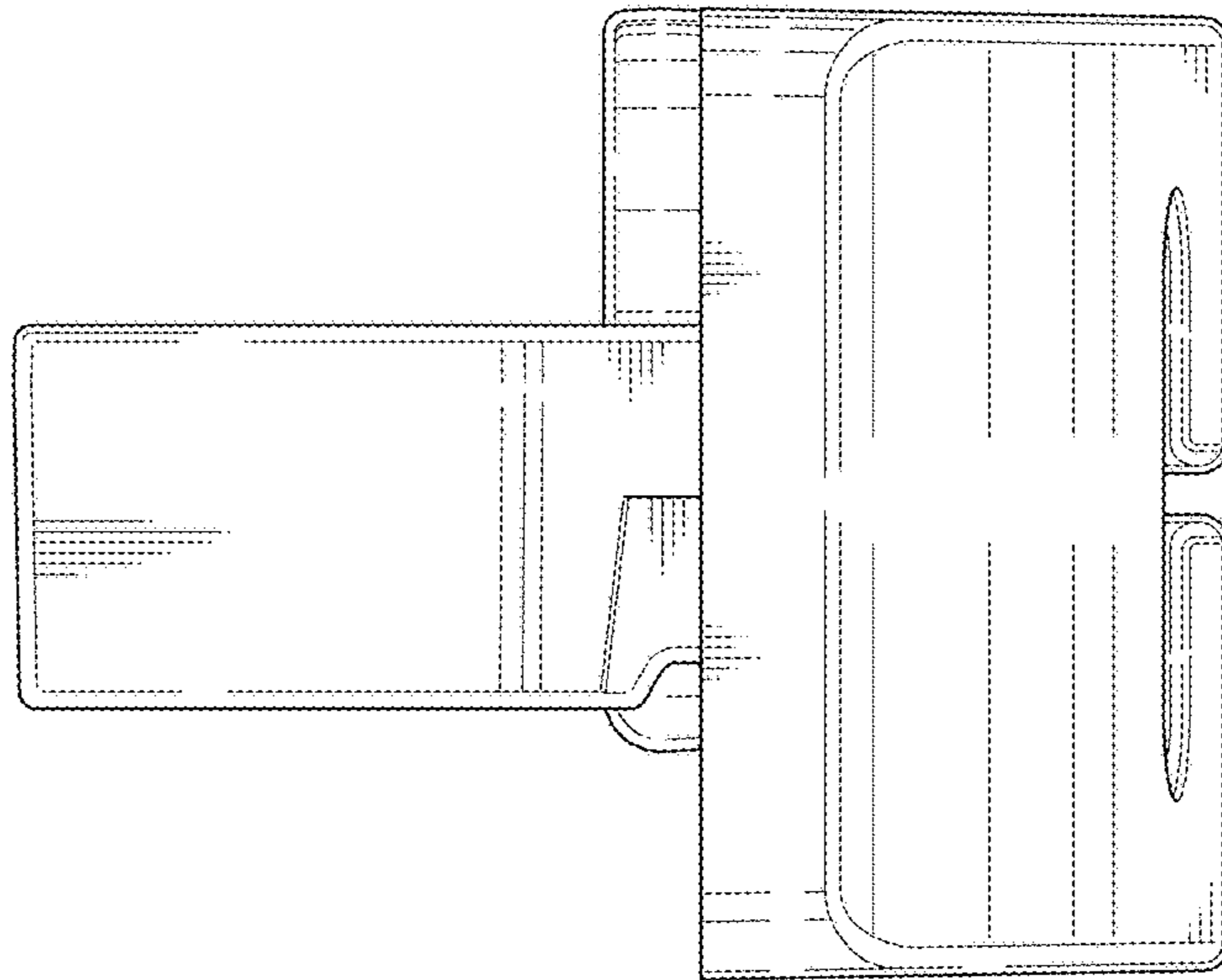




Fig. 4

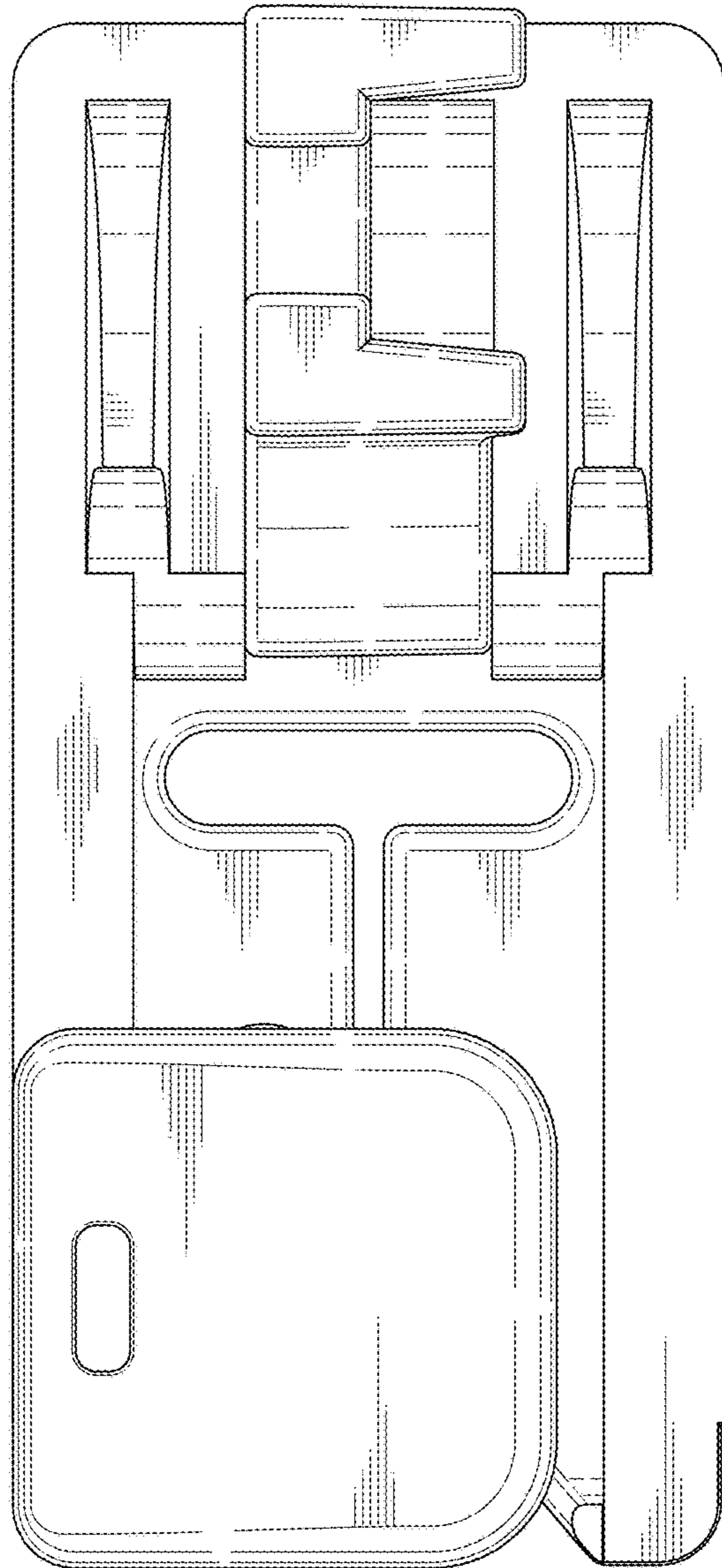


Fig. 5

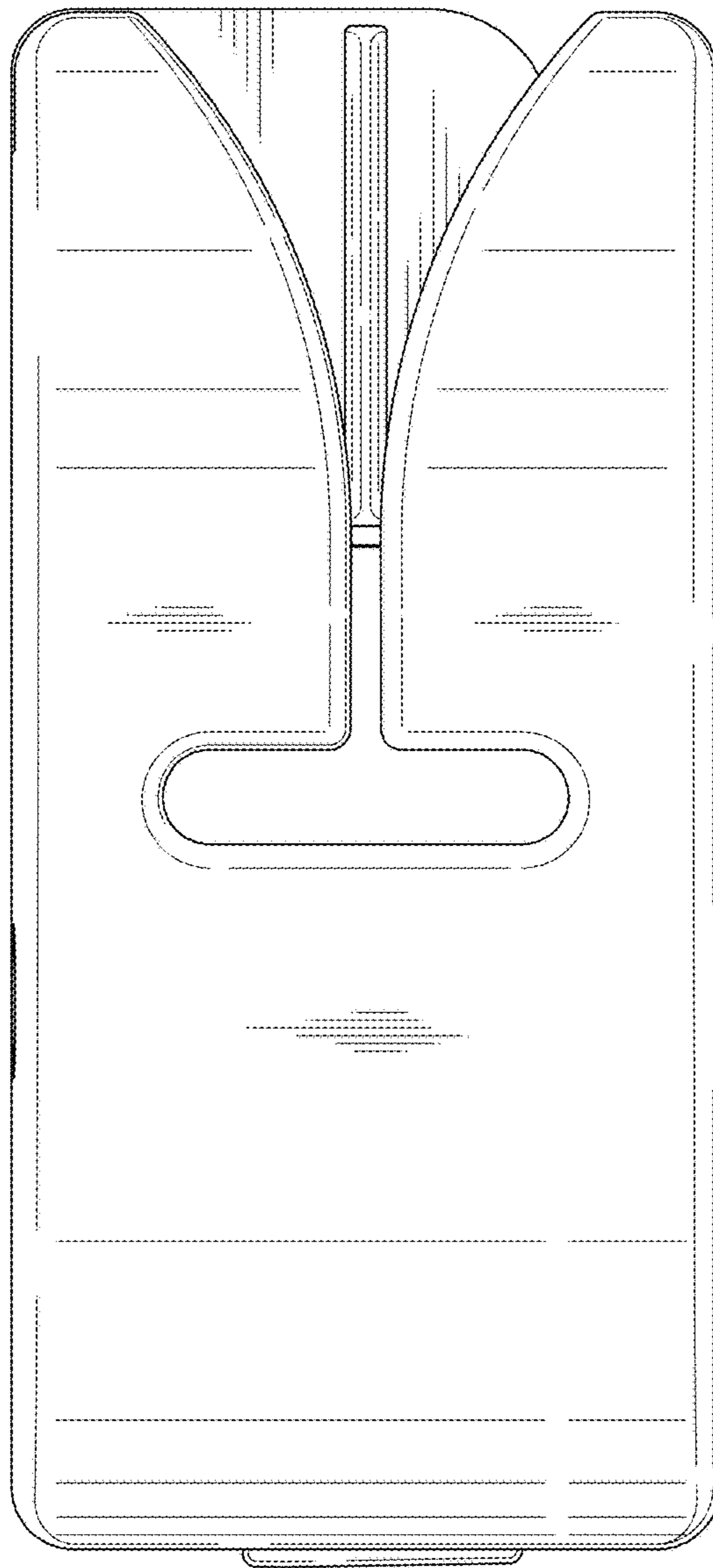


Fig. 6

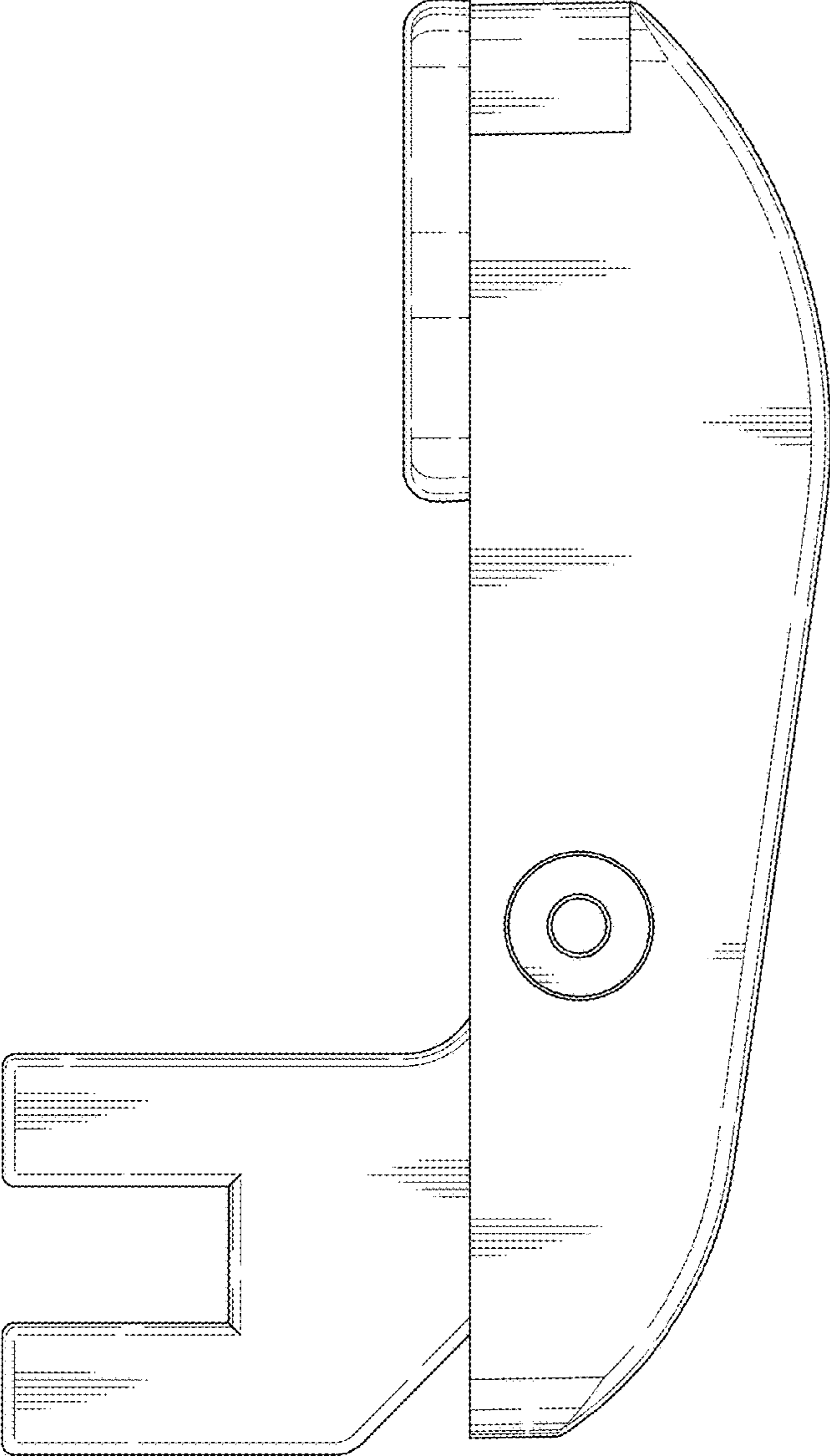




Fig. 7

