



US00D835684S

(12) **United States Design Patent**
Zabe

(10) **Patent No.:** **US D835,684 S**

(45) **Date of Patent:** **** Dec. 11, 2018**

- (54) **BALER BODY**
- (71) Applicant: **Deere & Company**, Moline, IL (US)
- (72) Inventor: **Mickael Zabe**, Ougney (FR)
- (73) Assignee: **DEERE & COMPANY**, Moline, IL (US)
- (**) Term: **15 Years**
- (21) Appl. No.: **29/629,807**
- (22) Filed: **Dec. 15, 2017**

- 5,131,214 A * 7/1992 Vermeer A01F 15/0833
100/88
- 5,138,942 A * 8/1992 Henderson A01F 15/07
100/88
- 5,231,828 A * 8/1993 Swearingen A01F 15/0715
100/5
- D412,507 S * 8/1999 Underhill D15/27
- 6,857,251 B2 * 2/2005 McClure A01F 15/141
100/912
- D600,253 S * 9/2009 Jacobs D15/10
- D626,972 S * 11/2010 Hoover D15/27
- D702,263 S * 4/2014 Jacobsthal D15/27
- D796,558 S 9/2017 Johnson et al.
- D797,158 S 9/2017 Johnson et al.

* cited by examiner

(30) **Foreign Application Priority Data**

Jun. 26, 2017 (EM) 004067312

- (51) **LOC (11) Cl.** **15-03**
- (52) **U.S. Cl.**
USPC **D15/28**; D15/33
- (58) **Field of Classification Search**
USPC D15/10, 17, 28; 414/24.5; 100/4, 5, 8,
100/88, 100; 56/341-343, 432, 202
CPC A01F 15/00; A01F 15/085; A01F 15/0715;
A01F 15/08; A01F 15/07; A01F 15/0883
See application file for complete search history.

(56) **References Cited**

U.S. PATENT DOCUMENTS

- 3,894,484 A * 7/1975 Anstey A01F 15/141
100/13
- 3,913,473 A * 10/1975 Meiers A01F 15/141
100/5
- D238,501 S * 1/1976 Gaeddert et al. D15/27
- D242,572 S * 11/1976 Grist et al. D15/27
- D268,678 S * 4/1983 Swenson D15/27

Primary Examiner — Mark A Goodwin

(74) *Attorney, Agent, or Firm* — Klintworth & Rozenblat
IP LLP; Steven J. Wietrzny

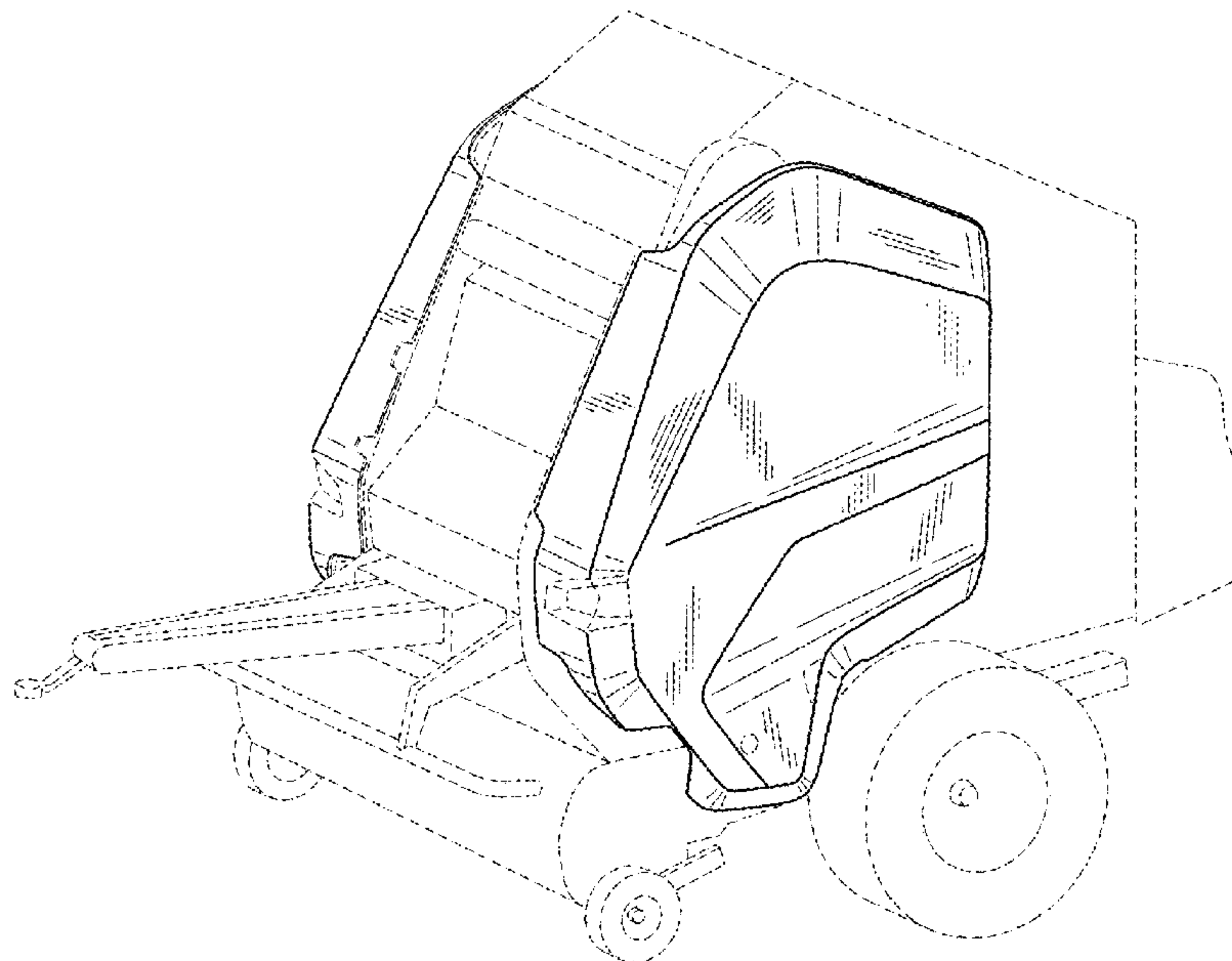
(57) **CLAIM**

The ornamental design for a baler body, as shown and described.

DESCRIPTION

FIG. 1 is a perspective view of a baler body according to my new design;
 FIG. 2 is a first side elevation view thereof;
 FIG. 3 is a second side elevation view thereof;
 FIG. 4 is a top plan view thereof;
 FIG. 5 is a bottom plan view thereof;
 FIG. 6 is a front elevation view thereof; and,
 FIG. 7 is a rear elevation view thereof.
 The dash line representations in the figures represent unclaimed features or environment of the disclosed baler body design.

1 Claim, 7 Drawing Sheets



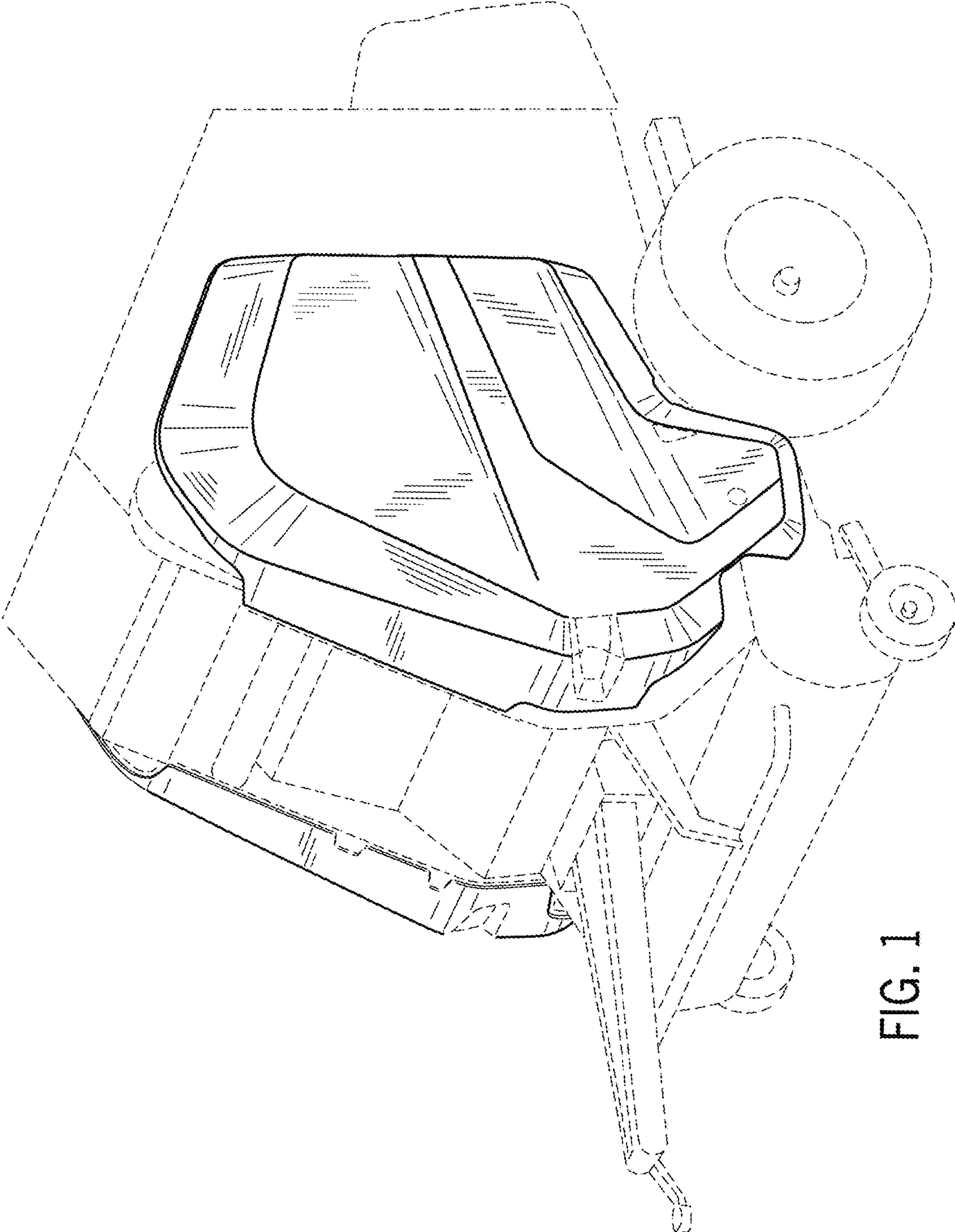


FIG. 1

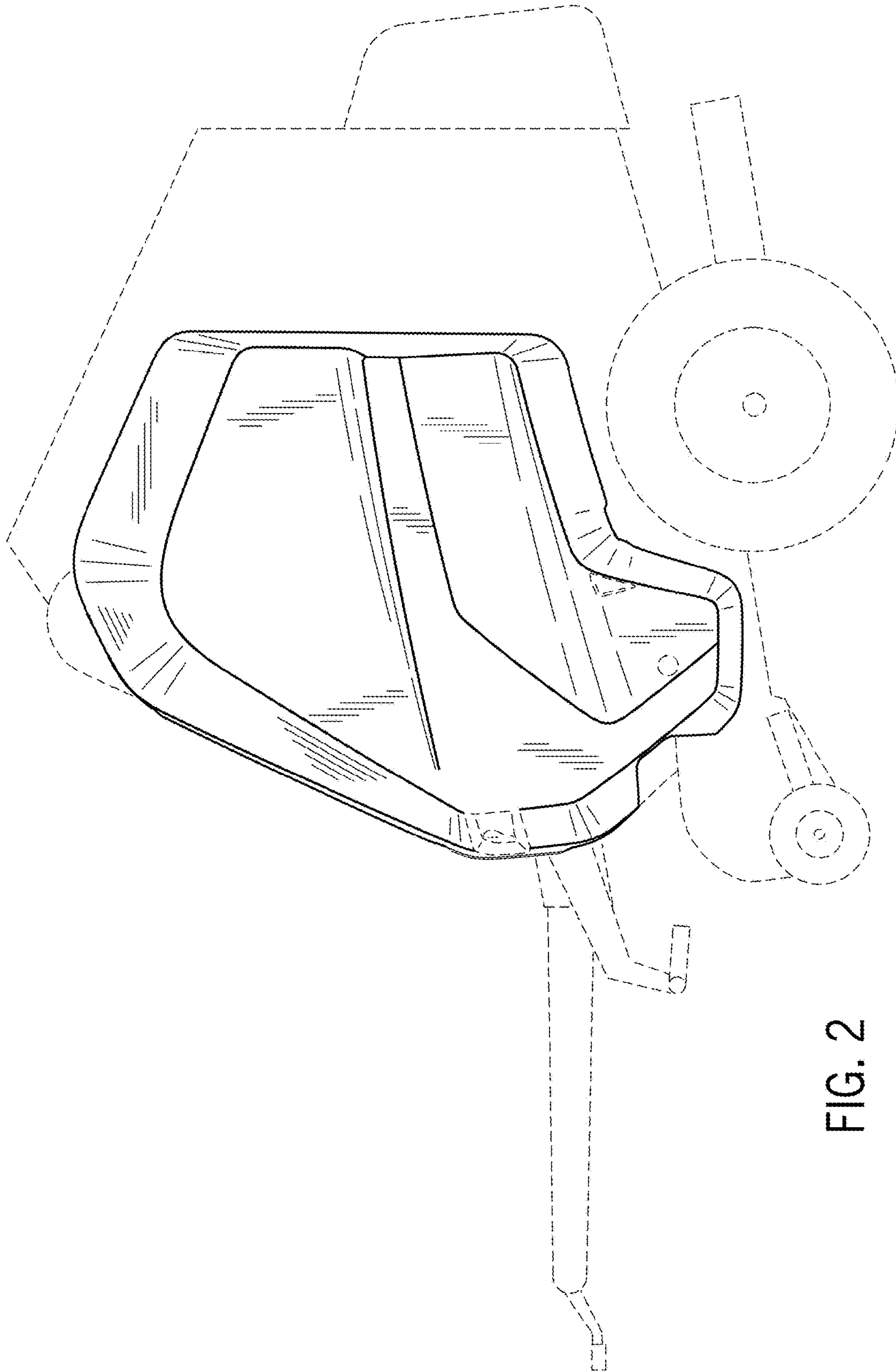


FIG. 2

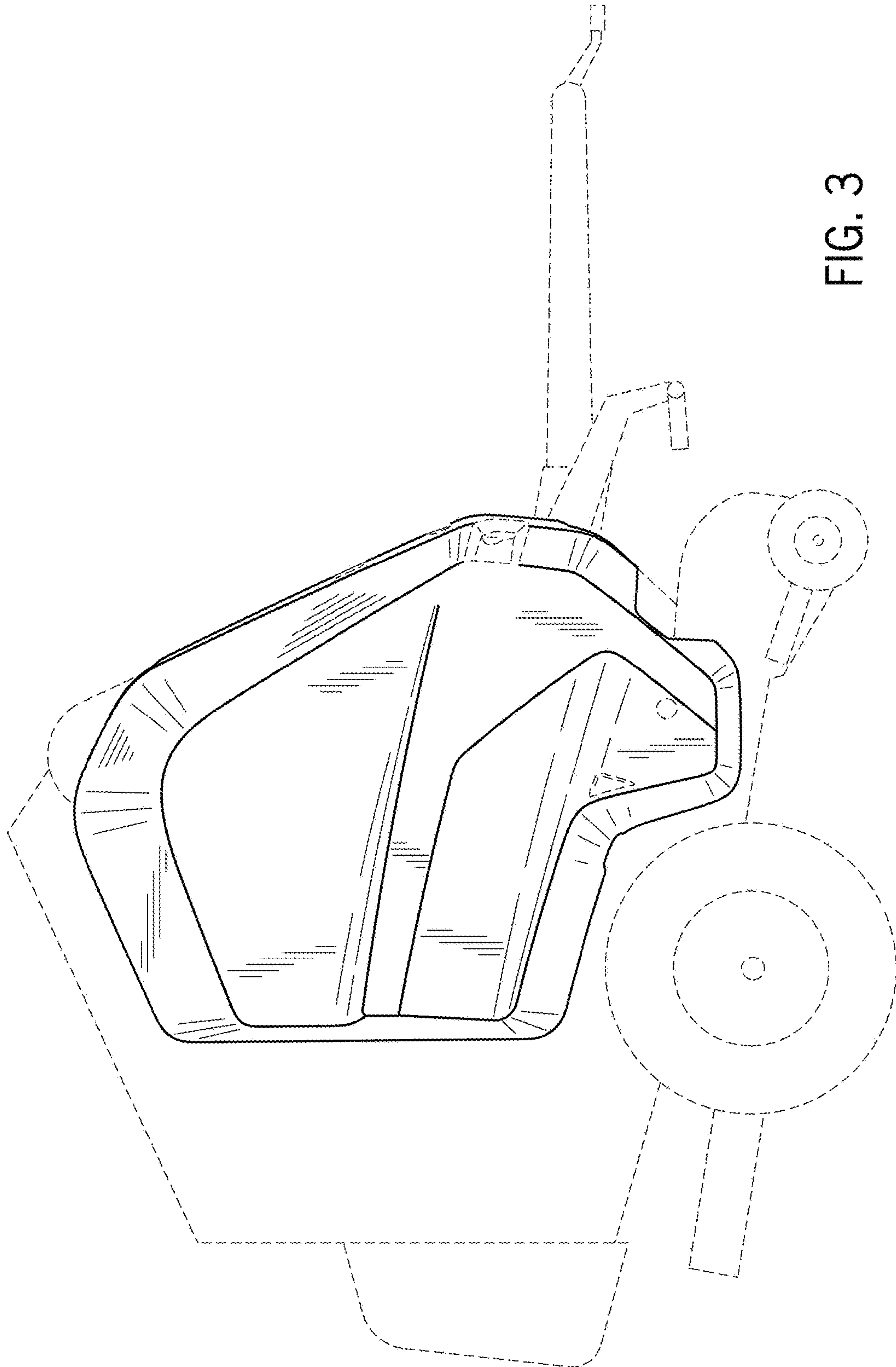


FIG. 3

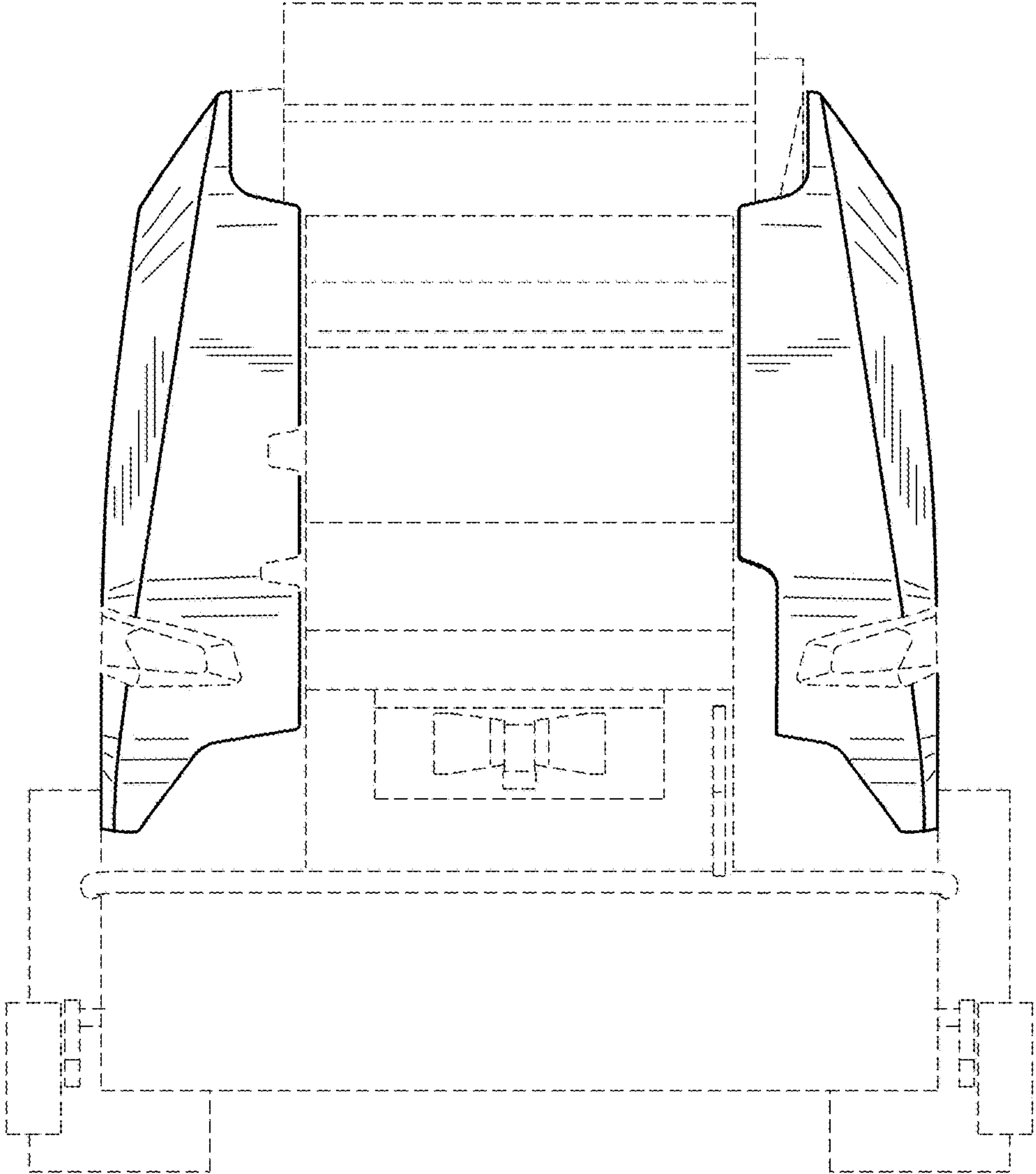


FIG. 4

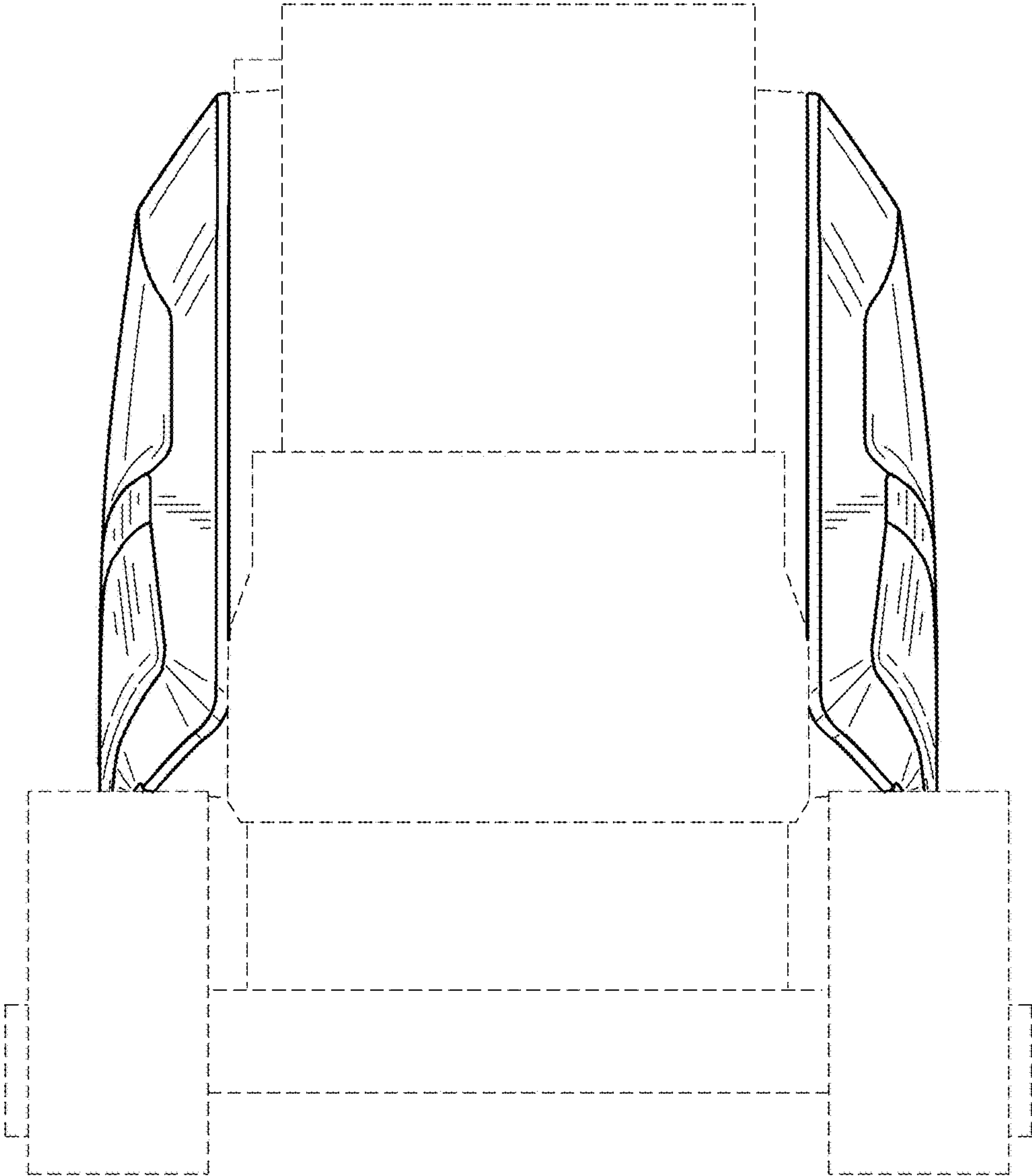


FIG. 5

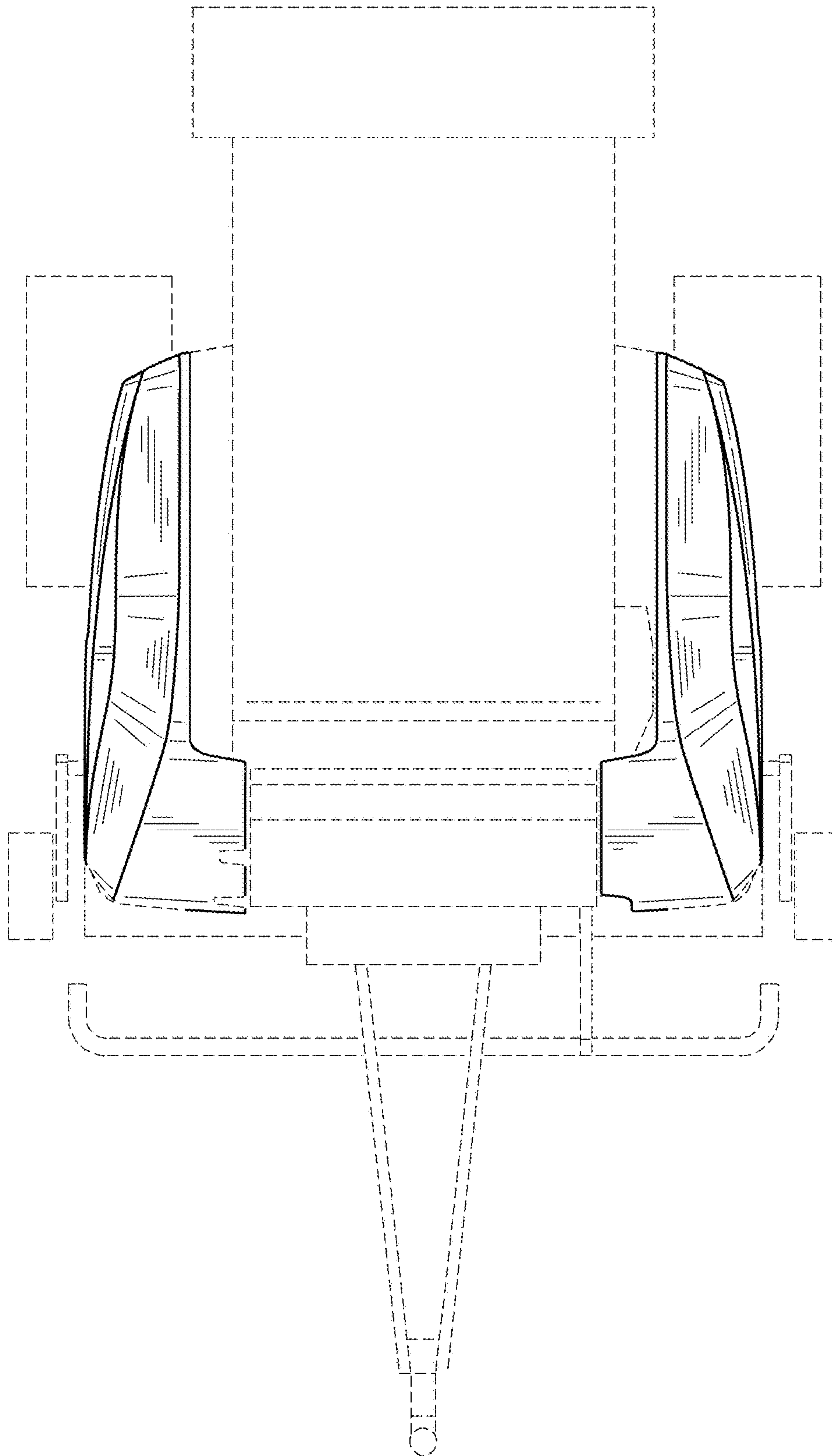


FIG. 6

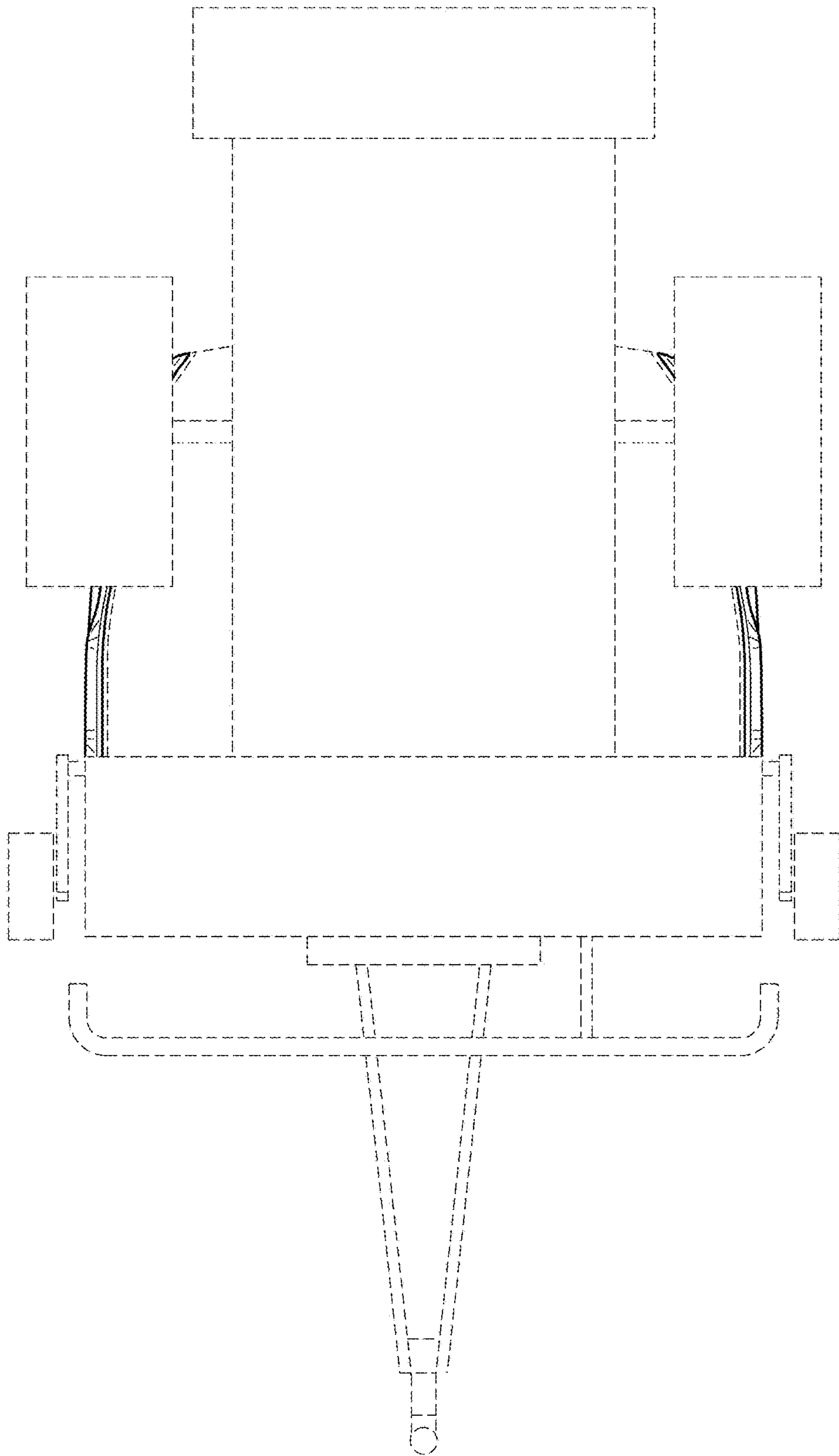


FIG. 7