



US00D835683S

(12) **United States Design Patent**
Zabe

(10) **Patent No.:** **US D835,683 S**

(45) **Date of Patent:** **** Dec. 11, 2018**

(54) **BALER BODY**
(71) Applicant: **Deere & Company**, Moline, IL (US)
(72) Inventor: **Mickael Zabe**, Ougney (FR)
(73) Assignee: **DEERE & COMPANY**, Moline, IL (US)
(**) Term: **15 Years**
(21) Appl. No.: **29/629,801**
(22) Filed: **Dec. 15, 2017**

5,131,214 A * 7/1992 Vermeer A01F 15/0833
100/88
5,138,942 A * 8/1992 Henderson A01F 15/07
100/88
5,231,828 A * 8/1993 Swearingen A01F 15/0715
100/5
D412,507 S * 8/1999 Underhill D15/27
6,857,251 B2 * 2/2005 McClure A01F 15/141
100/912
D600,253 S * 9/2009 Jacobs D15/10
D626,972 S * 11/2010 Hoover D15/27
D702,263 S * 4/2014 Jacobsthal D15/27
D796,558 S 9/2017 Johnson et al.
D797,158 S 9/2017 Johnson et al.

* cited by examiner

(30) **Foreign Application Priority Data**

Jun. 26, 2017 (EM) 004067379

(51) **LOC (11) Cl.** **15-03**

(52) **U.S. Cl.**
USPC **D15/28**

(58) **Field of Classification Search**
USPC D15/10, 17, 28; 414/24.5; 100/4, 5, 8,
100/88, 100; 56/341-343, 432, 202
CPC A01F 15/00; A01F 15/085; A01F 15/0715;
A01F 15/08; A01F 15/07; A01F 15/0883
See application file for complete search history.

(56) **References Cited**

U.S. PATENT DOCUMENTS

3,894,484 A * 7/1975 Anstey A01F 15/141
100/13
3,913,473 A * 10/1975 Meiers A01F 15/141
100/5
D238,501 S * 1/1976 Gaeddert et al. D15/27
D242,572 S * 11/1976 Grist et al. D15/27
D268,678 S * 4/1983 Swenson D15/27

Primary Examiner — Mark A Goodwin

(74) *Attorney, Agent, or Firm* — Klintworth & Rozenblat
IP LLP; Steven J. Wietrzny

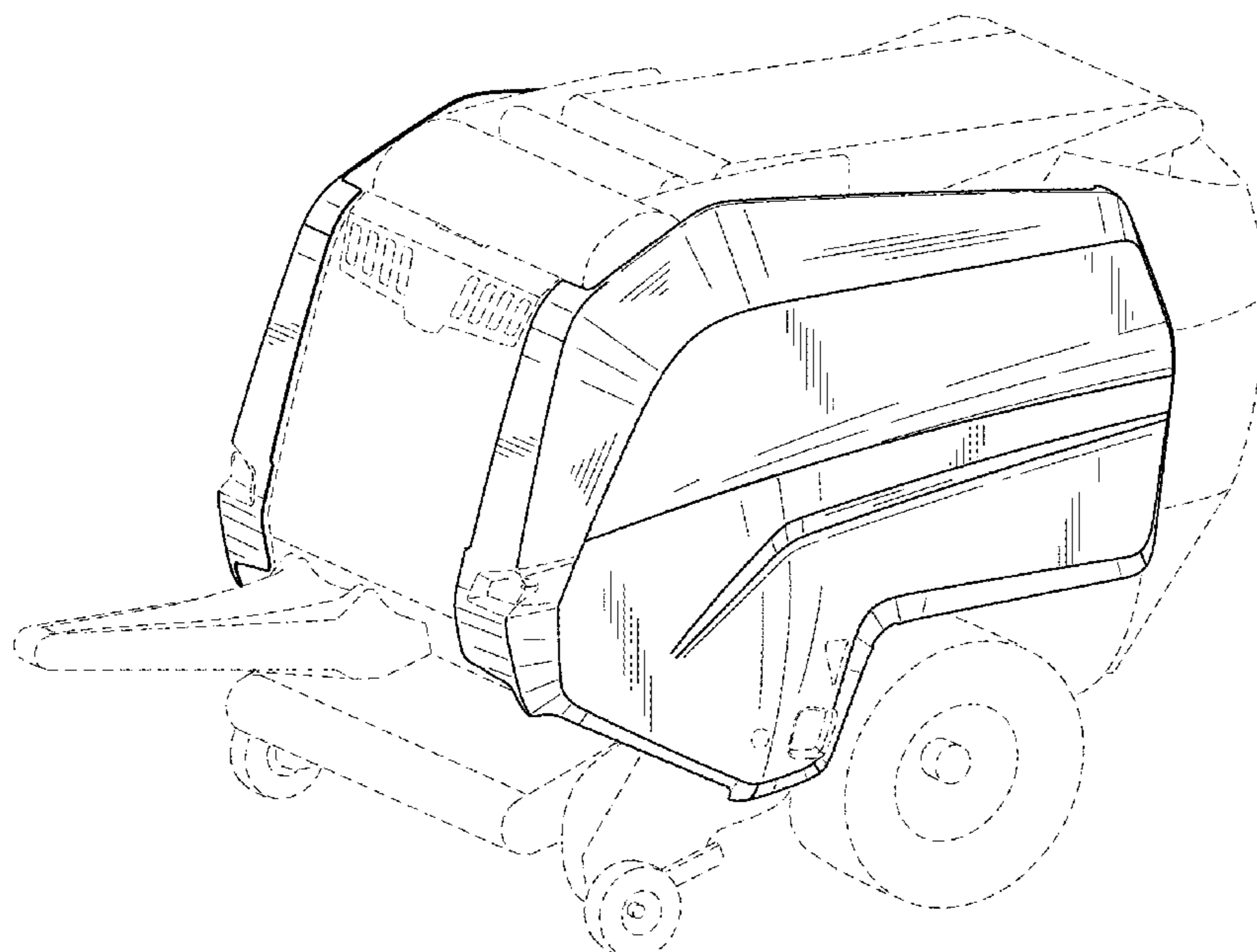
(57) **CLAIM**

The ornamental design for a baler body, as shown and described.

DESCRIPTION

FIG. 1 is a perspective view of a baler body according to my new design;
FIG. 2 is a first side elevation view thereof;
FIG. 3 is a second side elevation view thereof;
FIG. 4 is a front elevation view thereof;
FIG. 5 is a rear elevation view thereof;
FIG. 6 is a top plan view thereof; and,
FIG. 7 is a bottom plan view thereof.
The dash line representations in the figures represent unclaimed features or environment of the disclosed baler body design.

1 Claim, 7 Drawing Sheets



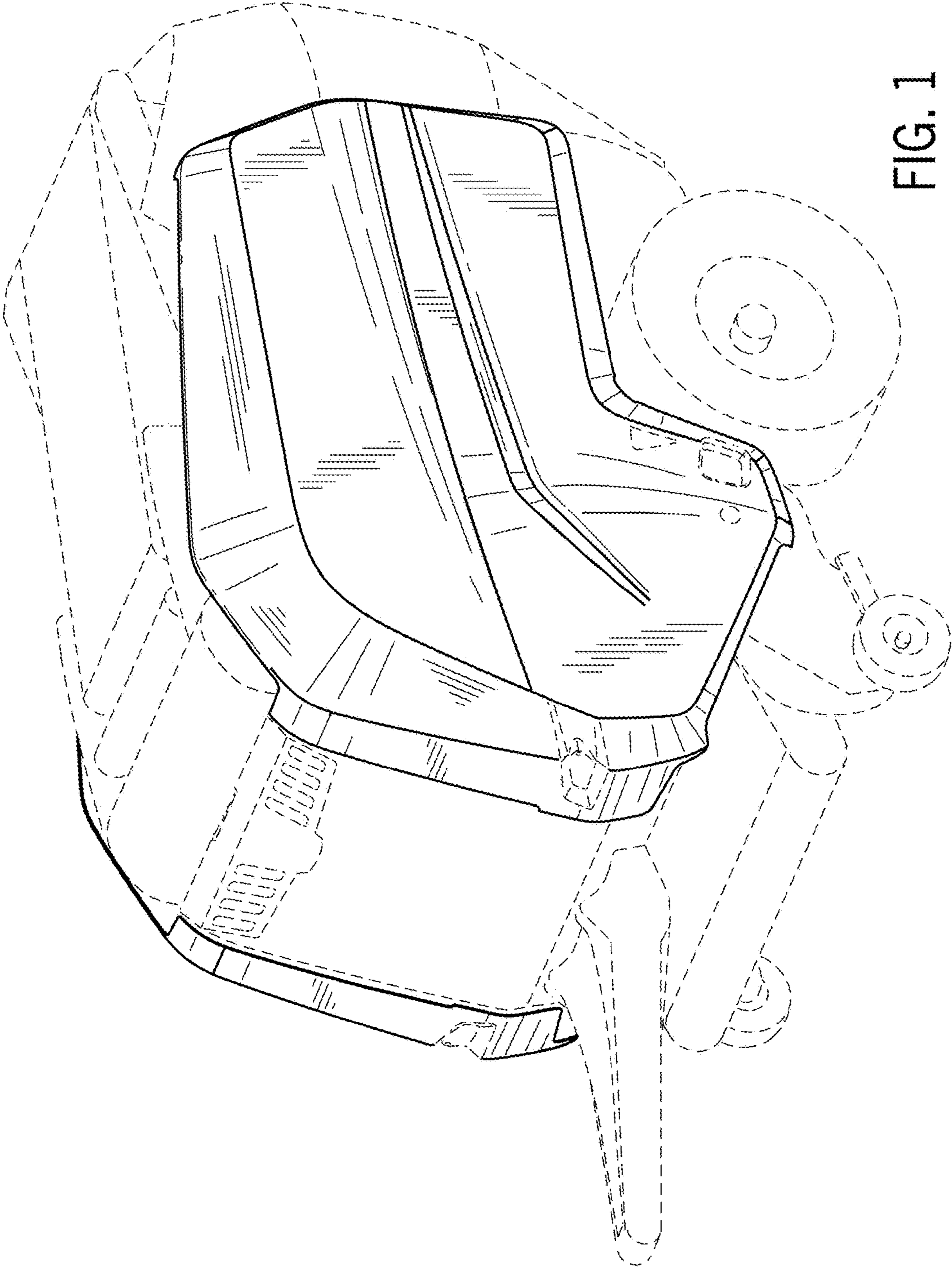


FIG. 1

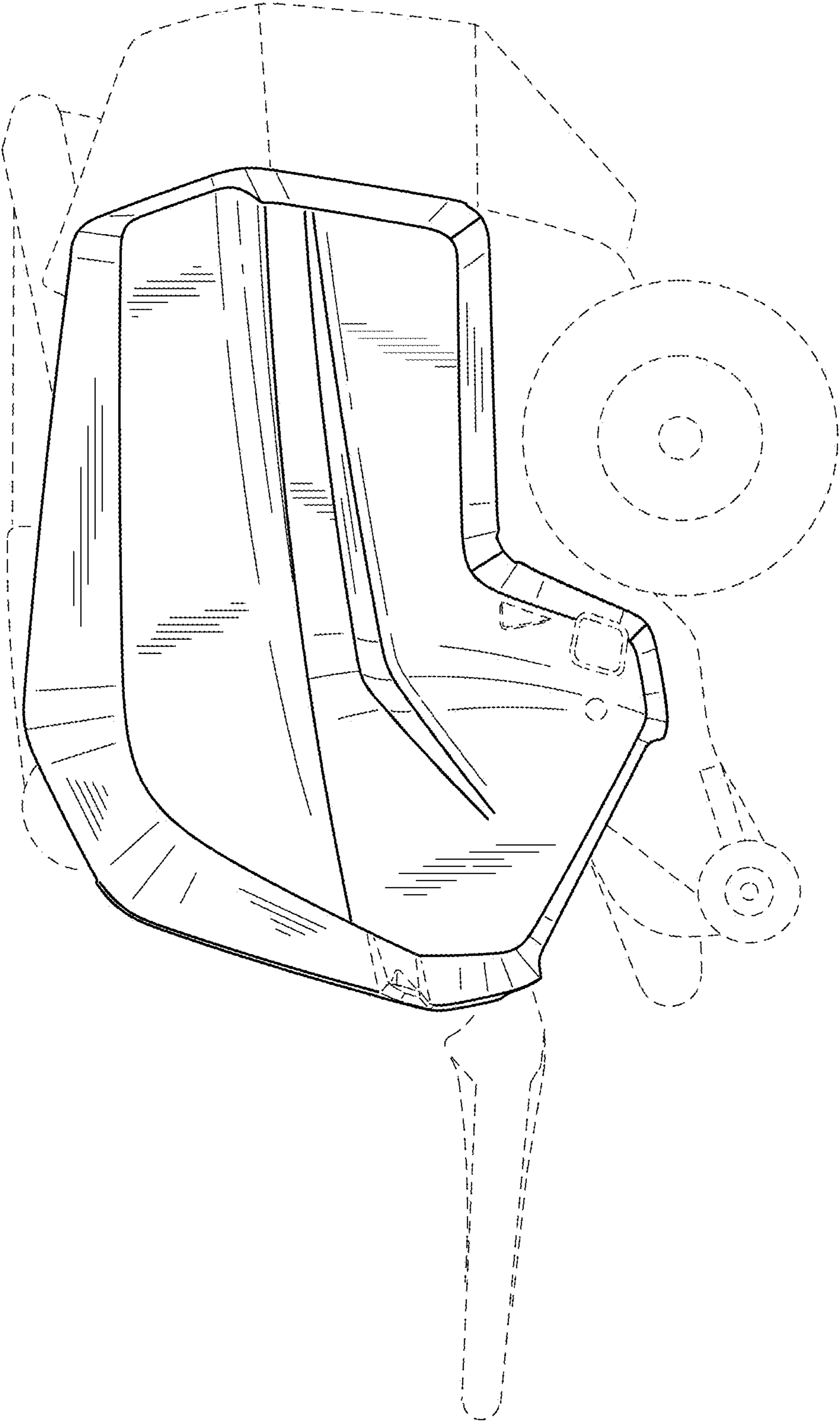


FIG. 2

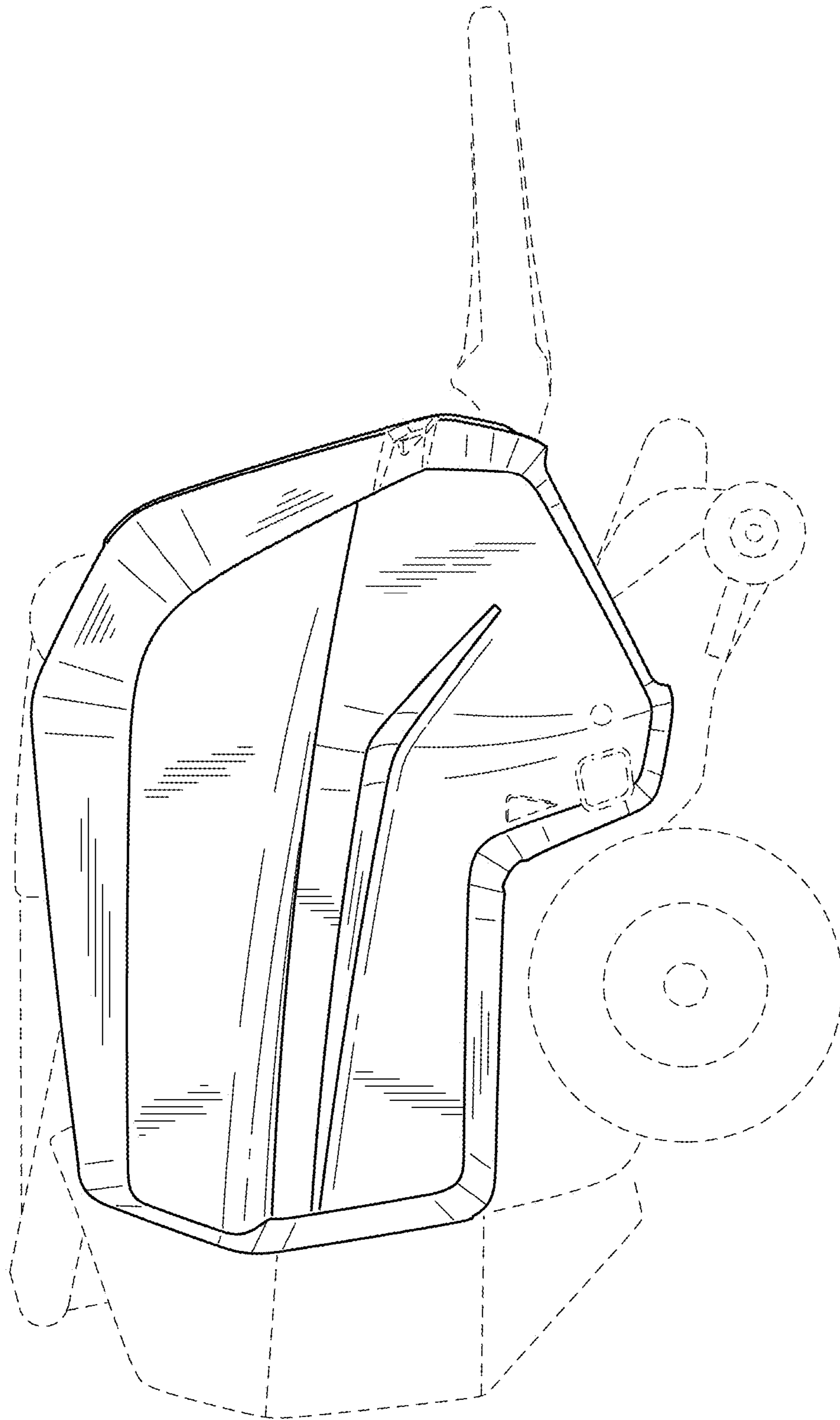


FIG. 3

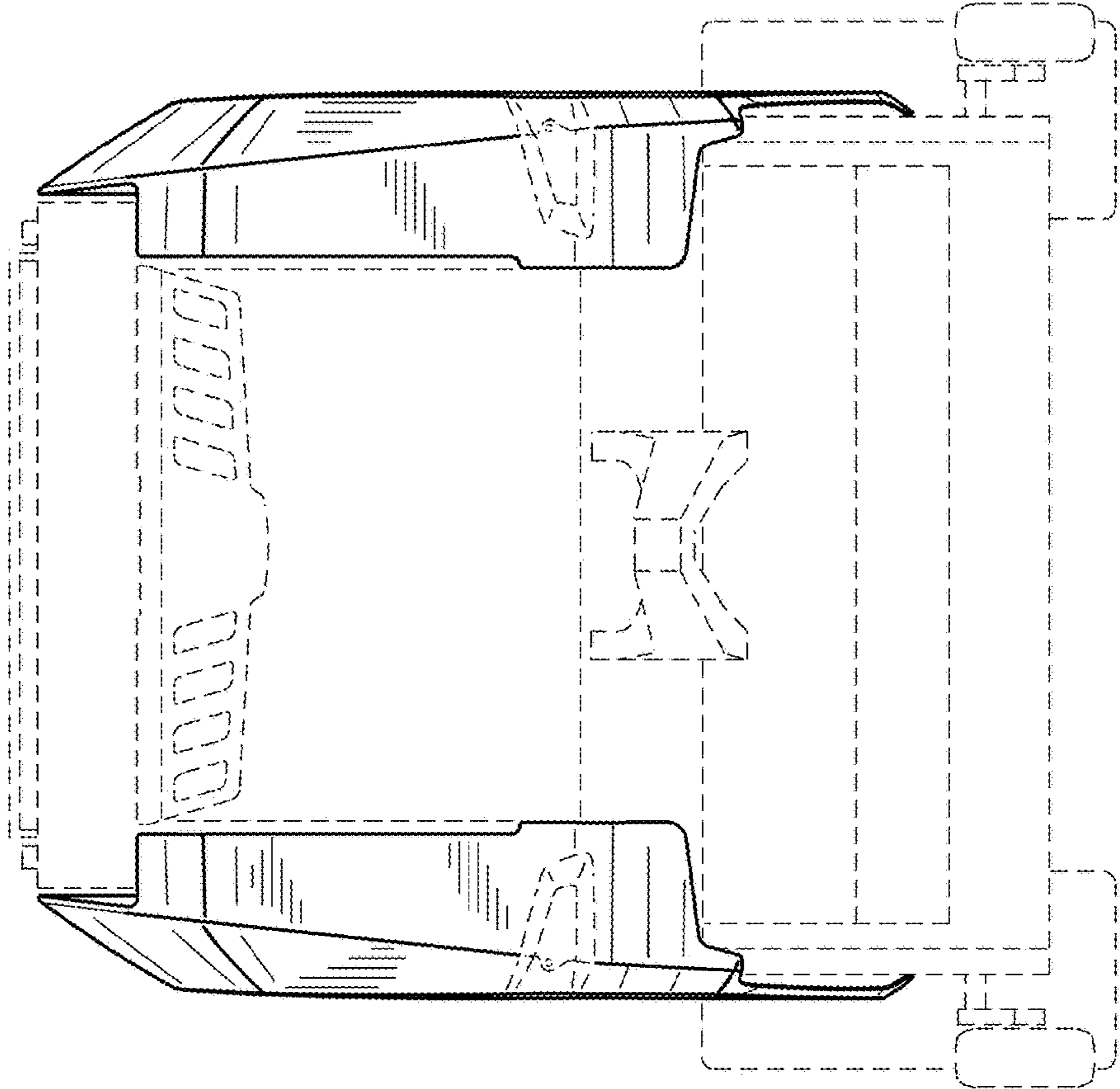


FIG. 4

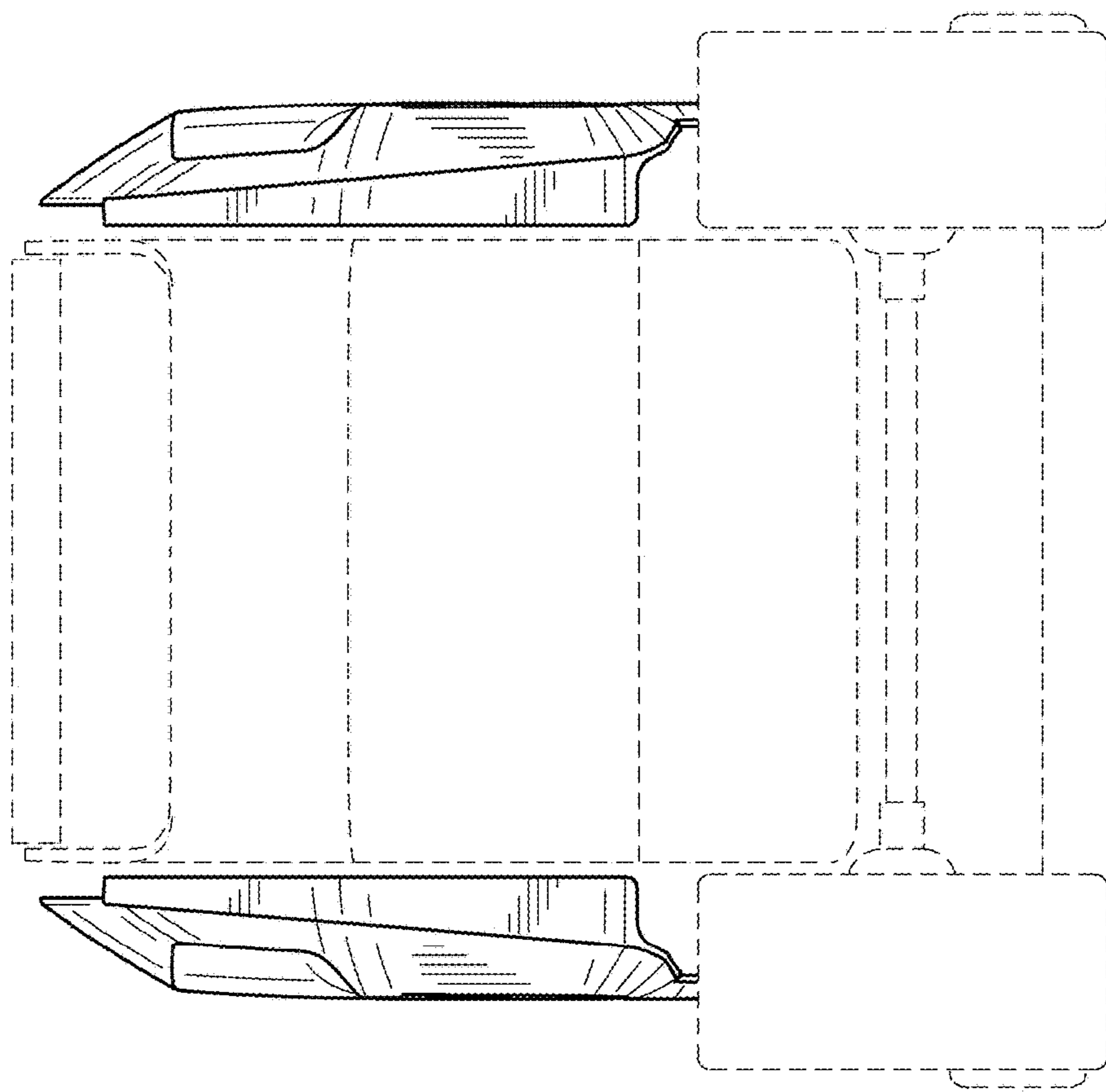


FIG. 5

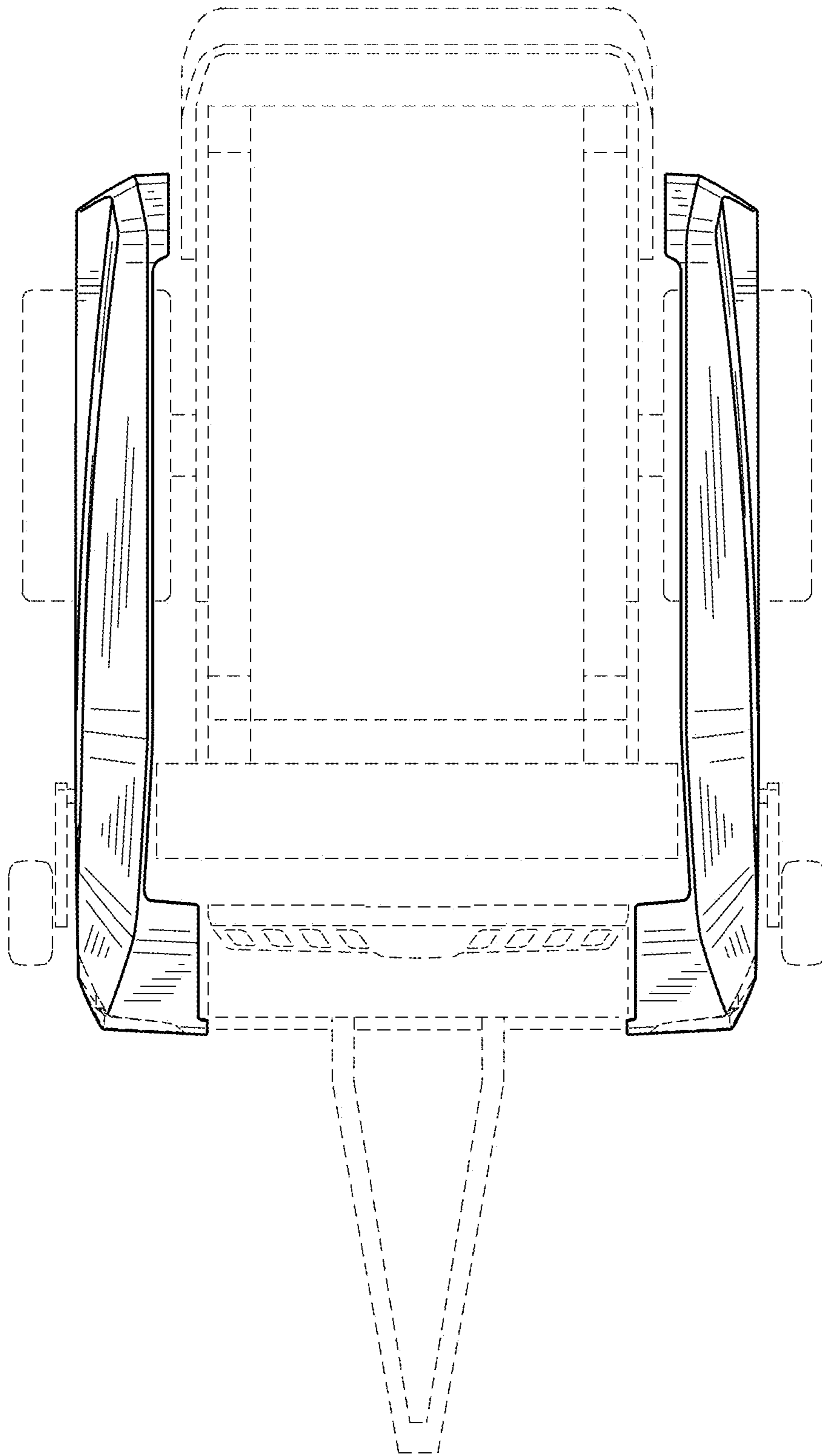


FIG. 6

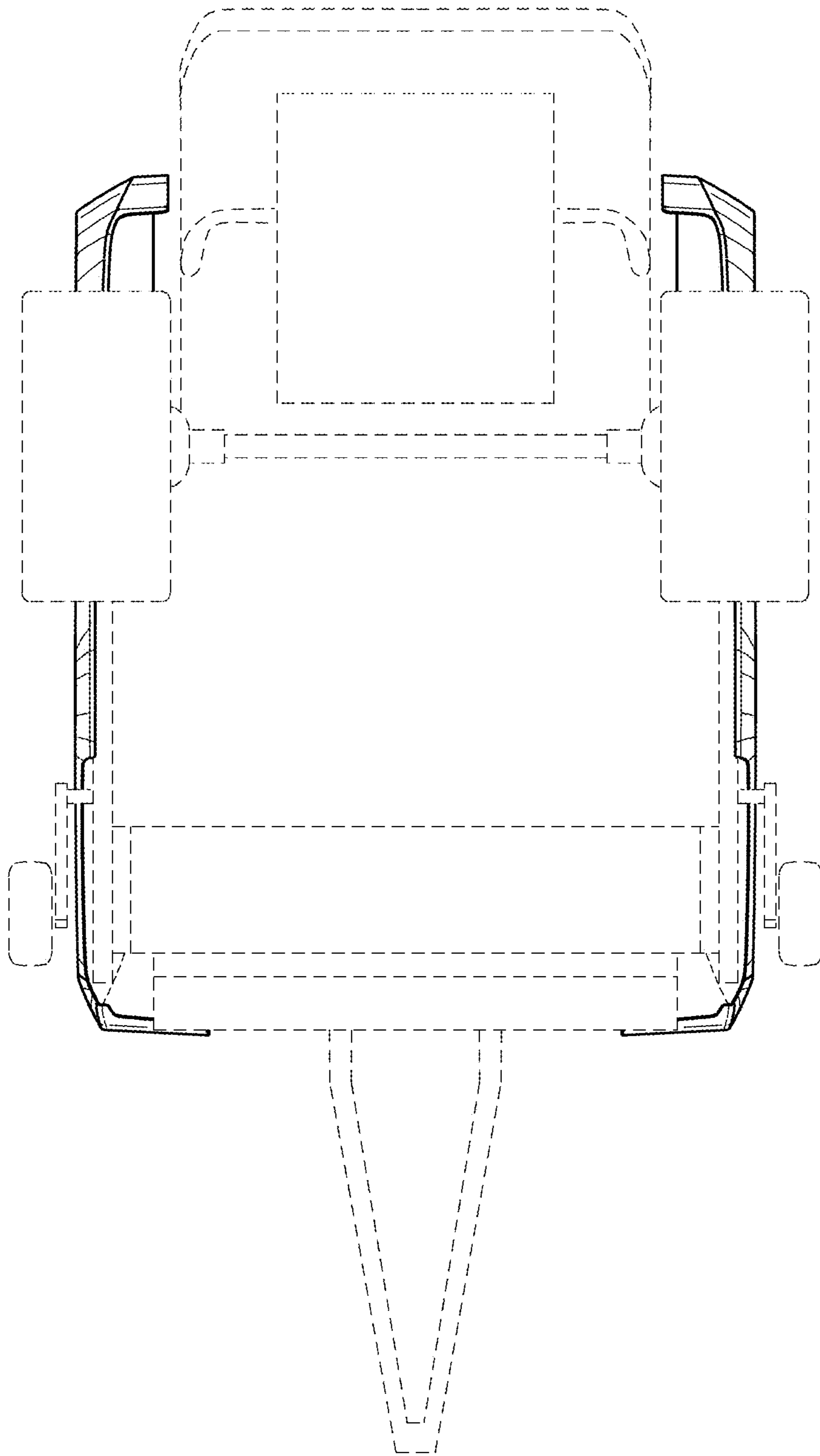


FIG. 7