

US00D835679S

(12) **United States Design Patent** (10) **Patent No.:** **US D835,679 S**  
**Sato et al.** (45) **Date of Patent:** **\*\* Dec. 11, 2018**

(54) **COMPRESSOR**  
(71) Applicant: **ANEST IWATA Corporation,**  
Kanagawa-ken (JP)  
(72) Inventors: **Toru Sato,** Kanagawa (JP); **Shigeki**  
**Takada,** Kanagawa (JP)  
(73) Assignee: **ANEST IWATA Corporation,**  
Kanagawa-ken (JP)

D613,770 S \* 4/2010 Kitamura ..... D15/7  
D630,229 S \* 1/2011 Dreifert ..... D15/7  
D684,197 S \* 6/2013 Kienzle ..... D15/9  
D690,324 S \* 9/2013 Kienzle ..... D15/9  
D761,326 S \* 7/2016 Kienzle ..... D15/9  
D770,538 S \* 11/2016 Li ..... D15/9  
D800,789 S \* 10/2017 Luke ..... D15/7  
D803,270 S \* 11/2017 Chen ..... D15/9

(\*\*) Term: **15 Years**  
(21) Appl. No.: **29/602,066**  
(22) Filed: **Apr. 28, 2017**

**FOREIGN PATENT DOCUMENTS**

EP 2224136 9/2010  
JP 4012711 11/2007  
JP 2010196677 9/2010

(30) **Foreign Application Priority Data**

\* cited by examiner

Nov. 2, 2016 (JP) ..... 2016-023914

*Primary Examiner* — Ralf Seifert  
(74) *Attorney, Agent, or Firm* — JCIPRNET

(51) **LOC (11) Cl.** ..... **15-02**  
(52) **U.S. Cl.**  
USPC ..... **D15/9**

(57) **CLAIM**

The ornamental design for a compressor, as shown.

(58) **Field of Classification Search**  
USPC ..... D15/7-9; D23/231, 232, 225; 417/60,  
417/235, 265, 321, 355, 358, 363, 359,  
417/410.1, 415-416, 405, 900, 269, 539;  
60/408, 412; 184/26-37; 415/140-147;  
123/495, 509; 137/565.34  
CPC ..... F02M 37/04; F02M 37/14; F04B 53/92;  
F04B 1/005; F04D 13/06; F04D 29/22;  
F04D 29/046; F04D 29/2266  
See application file for complete search history.

**DESCRIPTION**

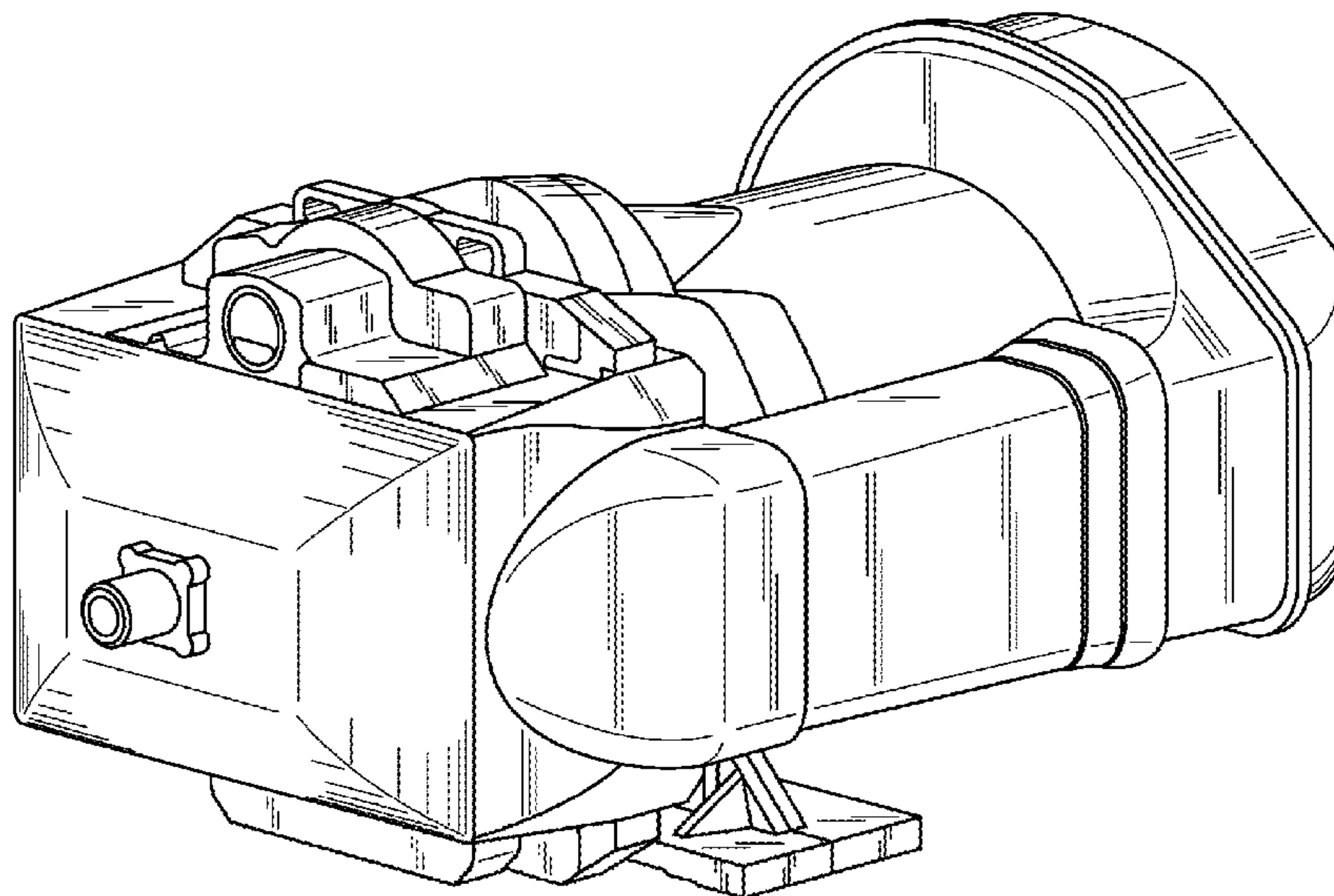
FIG. 1 is a perspective view of a compressor showing our new design;  
FIG. 2 is a front view thereof;  
FIG. 3 is a rear view thereof;  
FIG. 4 is a right view thereof;  
FIG. 5 is a left view thereof;  
FIG. 6 is a top view thereof; and,  
FIG. 7 is a bottom view thereof.  
The broken lines are included for the purpose of illustrating portions of the compressor that form no part of the claimed design.

(56) **References Cited**

**U.S. PATENT DOCUMENTS**

D467,254 S \* 12/2002 Ullrich ..... D15/9  
D485,565 S \* 1/2004 Martinello ..... D15/7

**1 Claim, 5 Drawing Sheets**



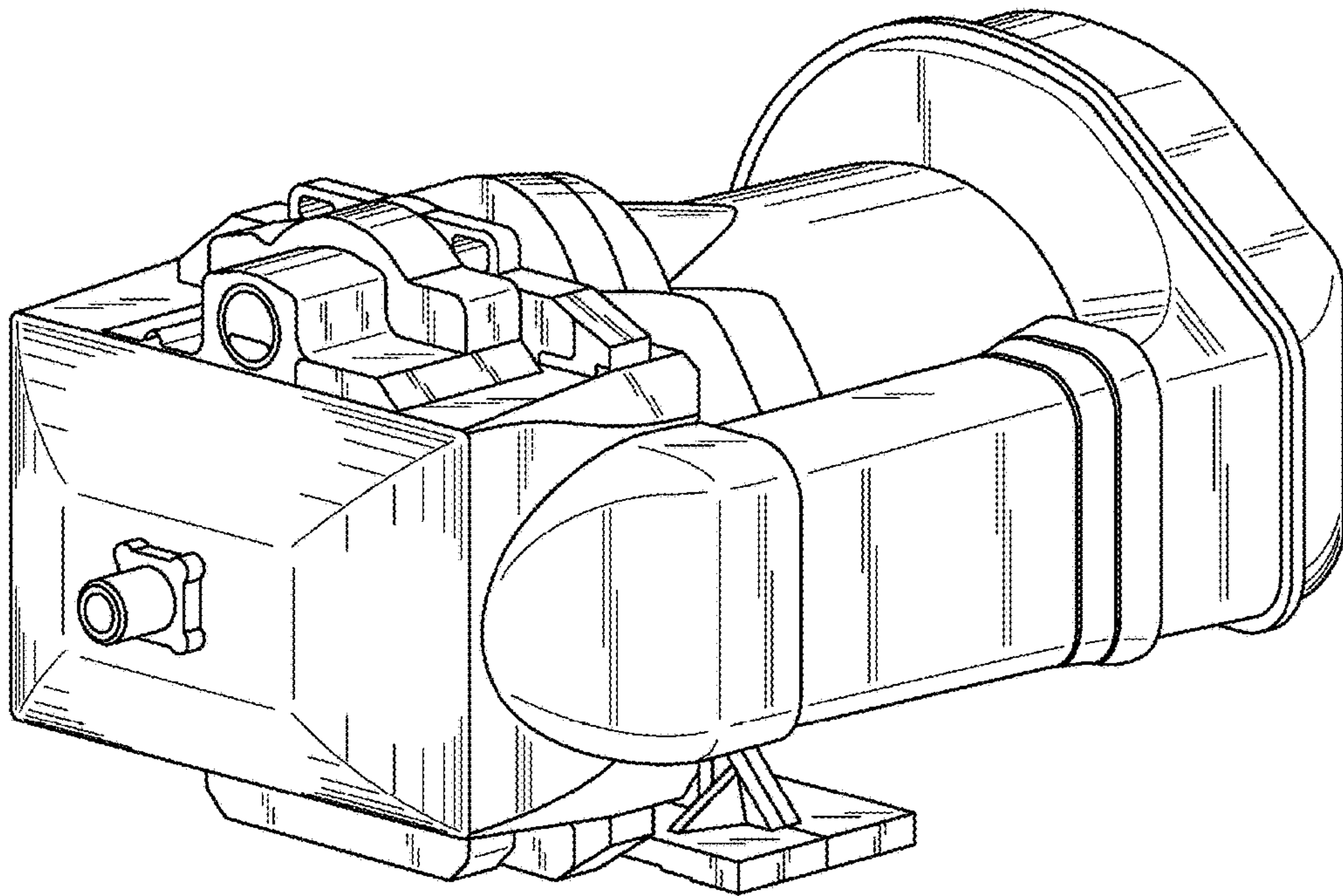


FIG. 1

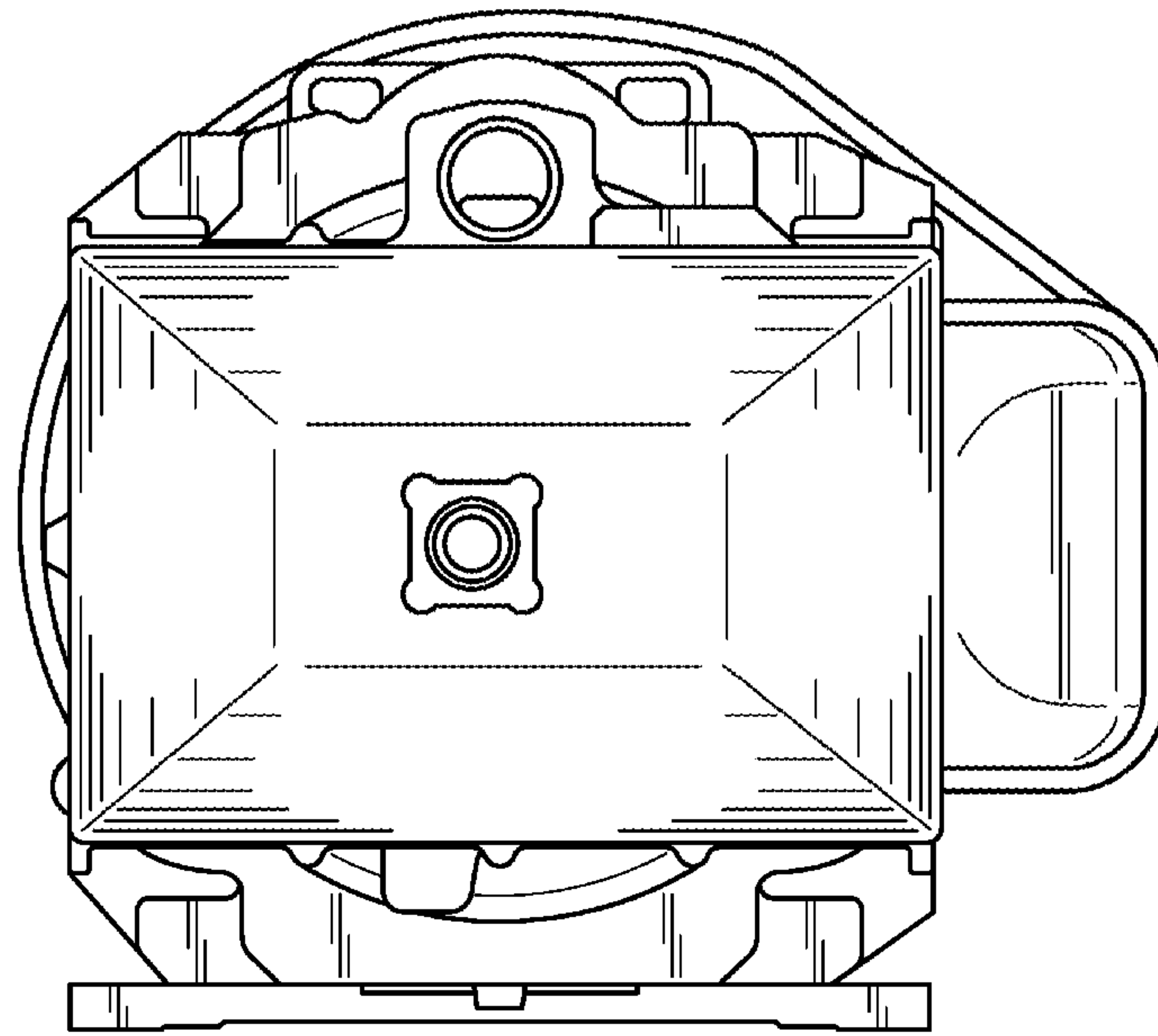


FIG. 2

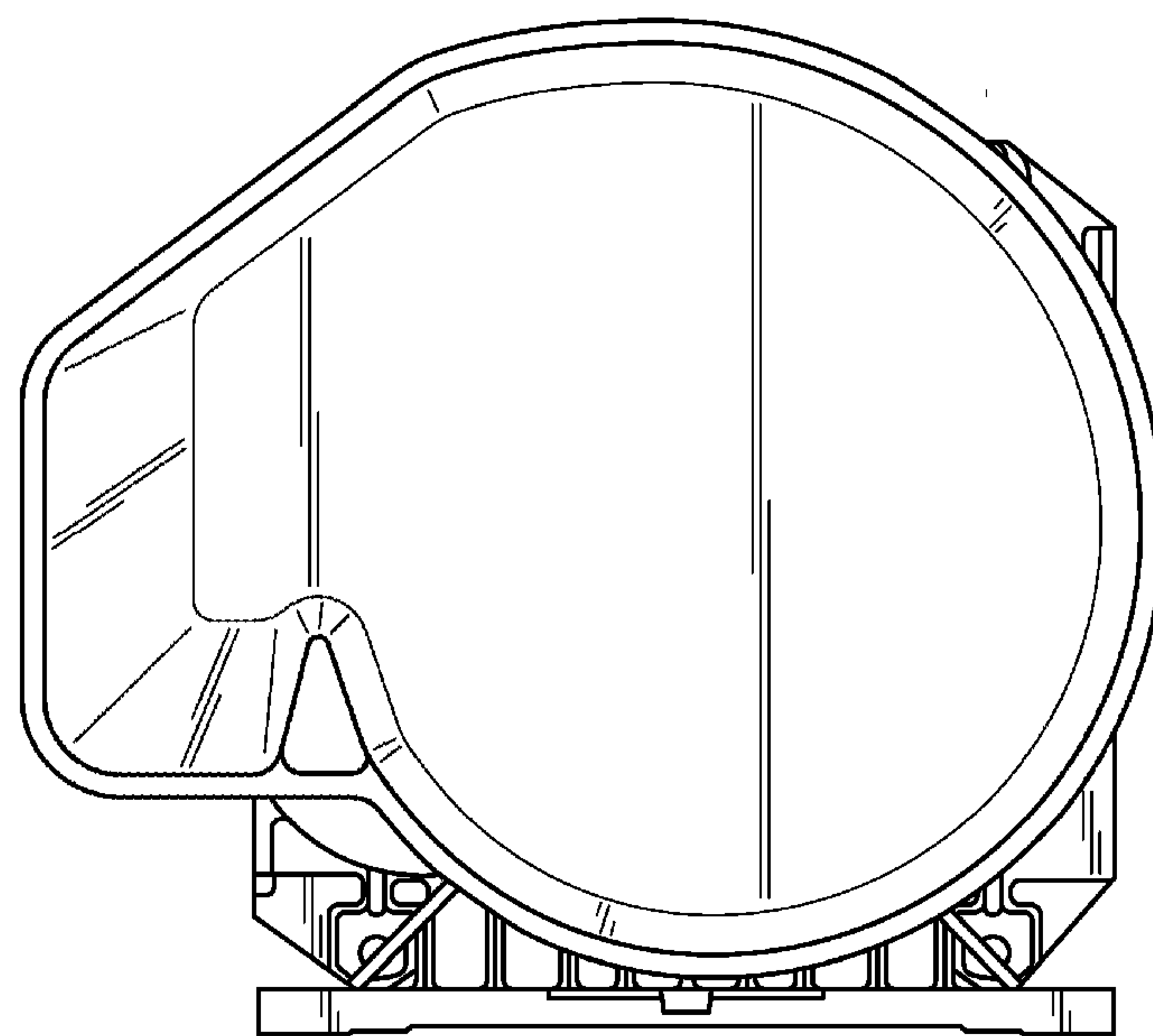


FIG. 3



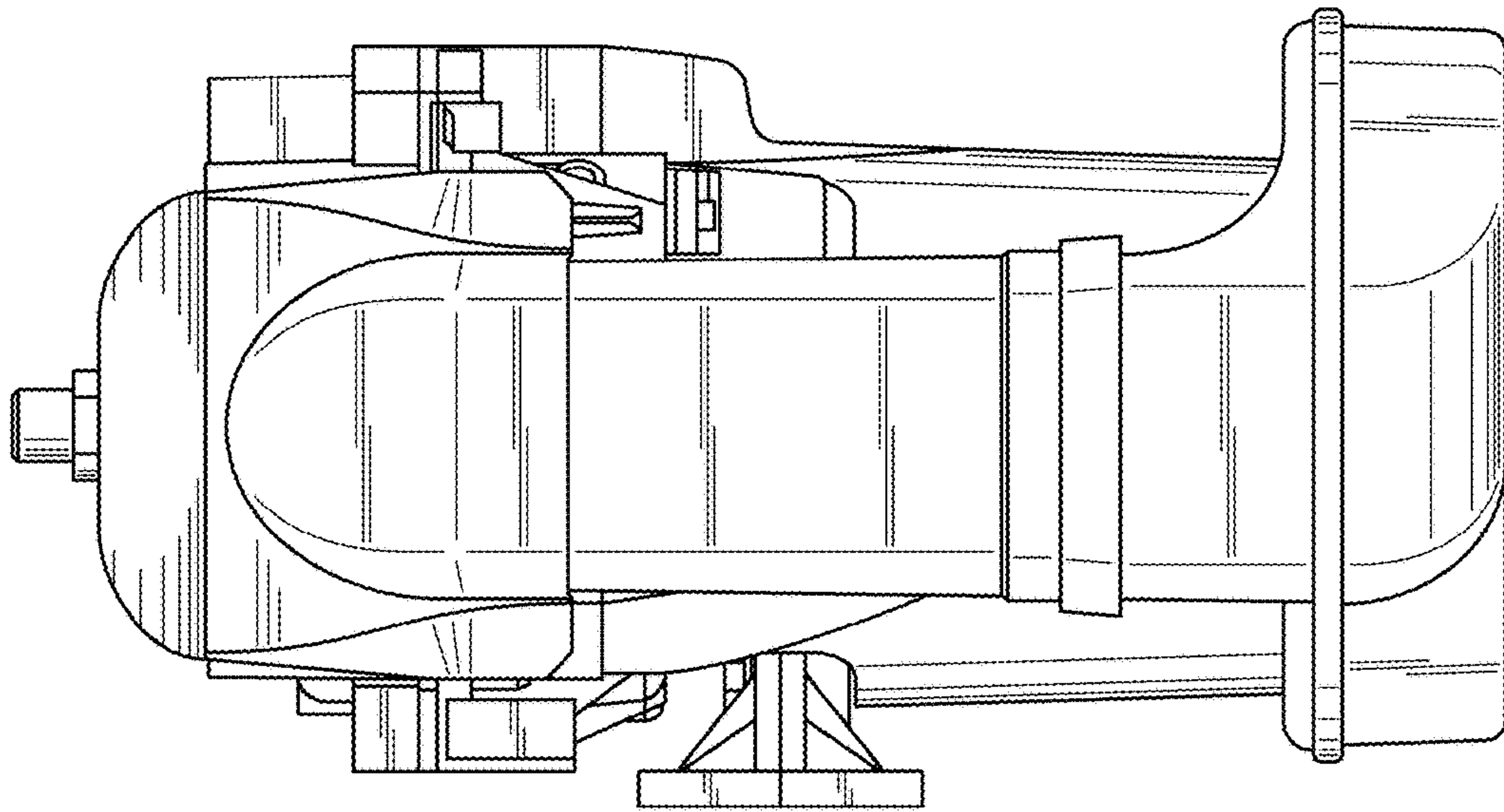


FIG. 4

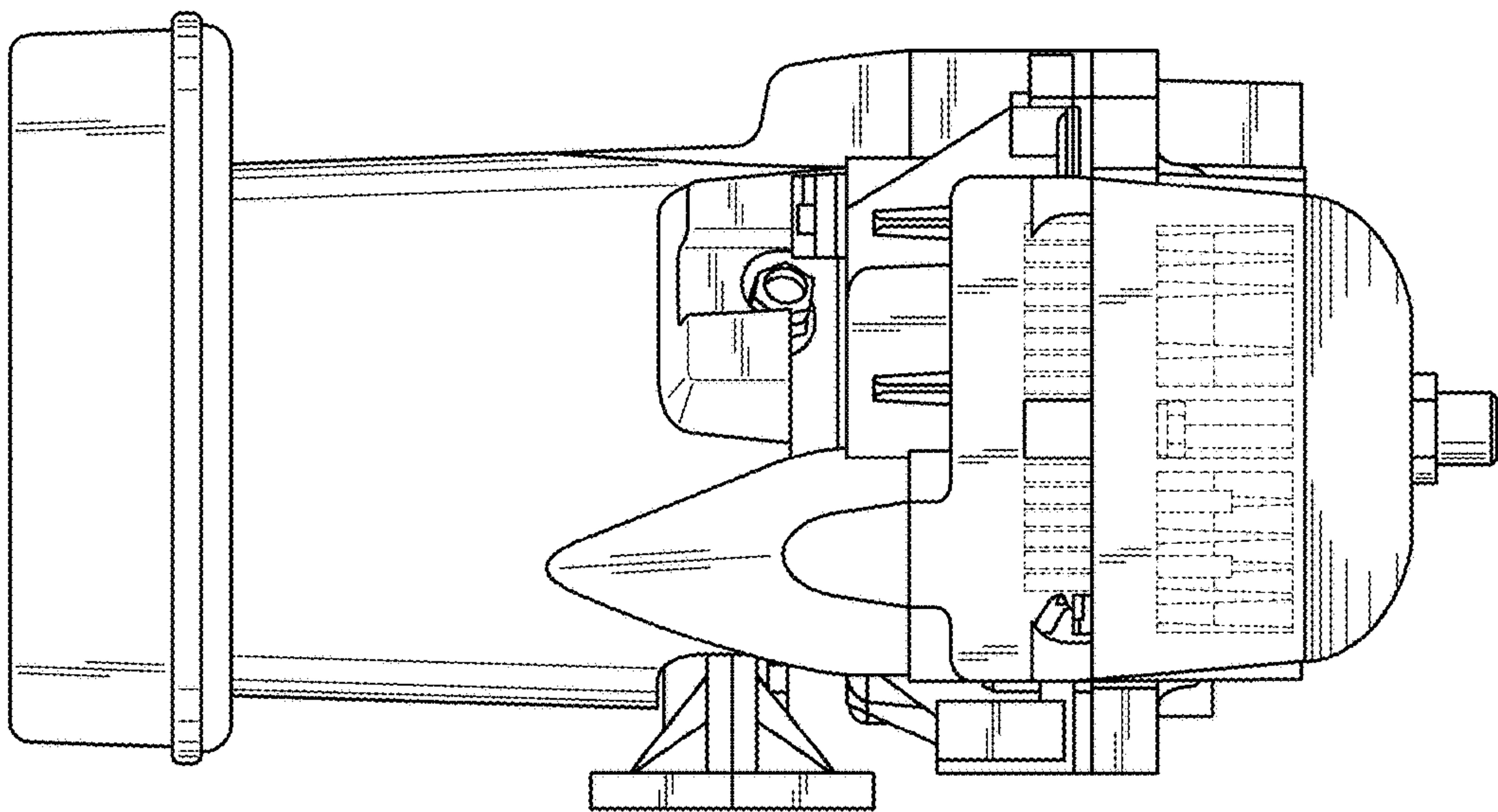


FIG. 5

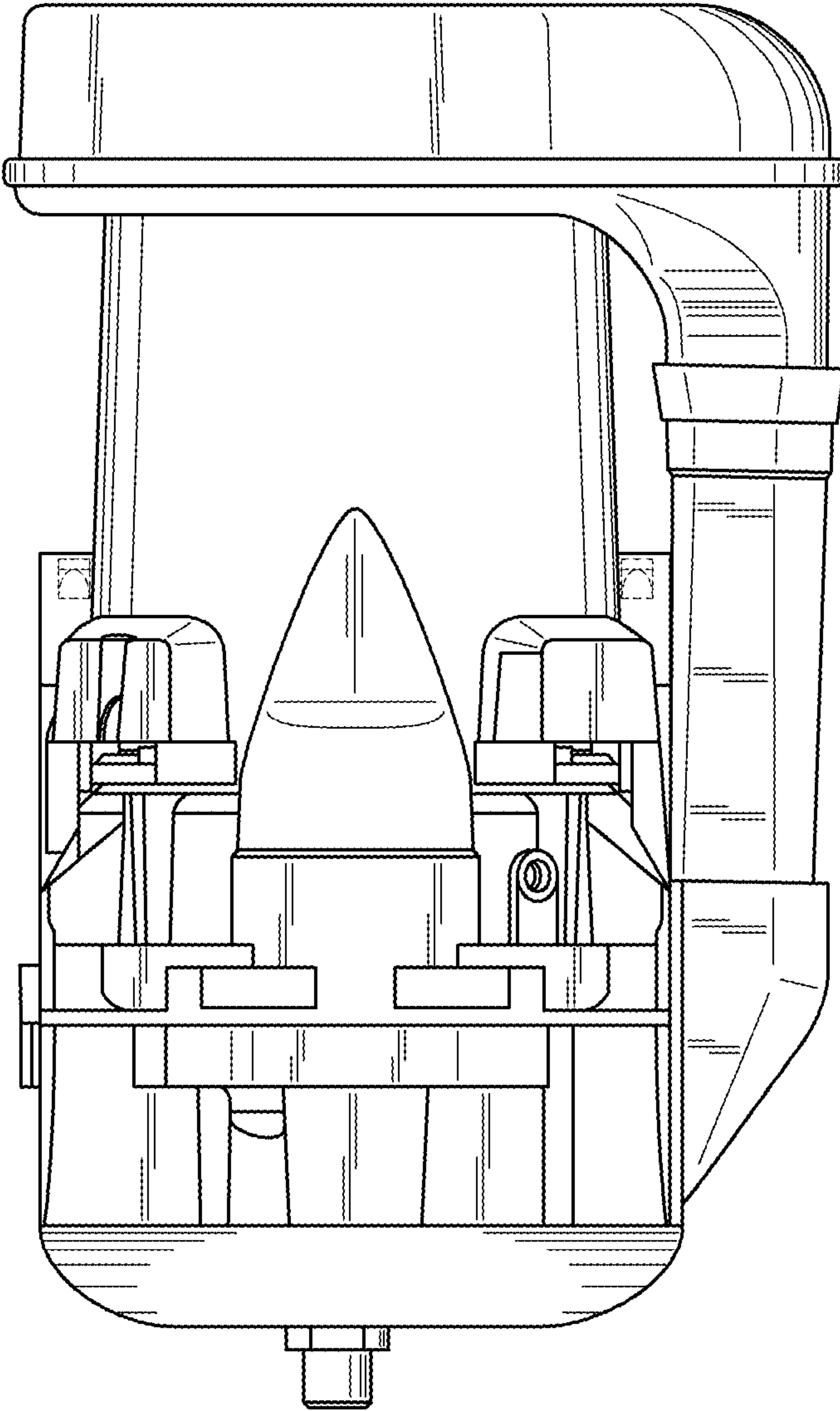


FIG. 6

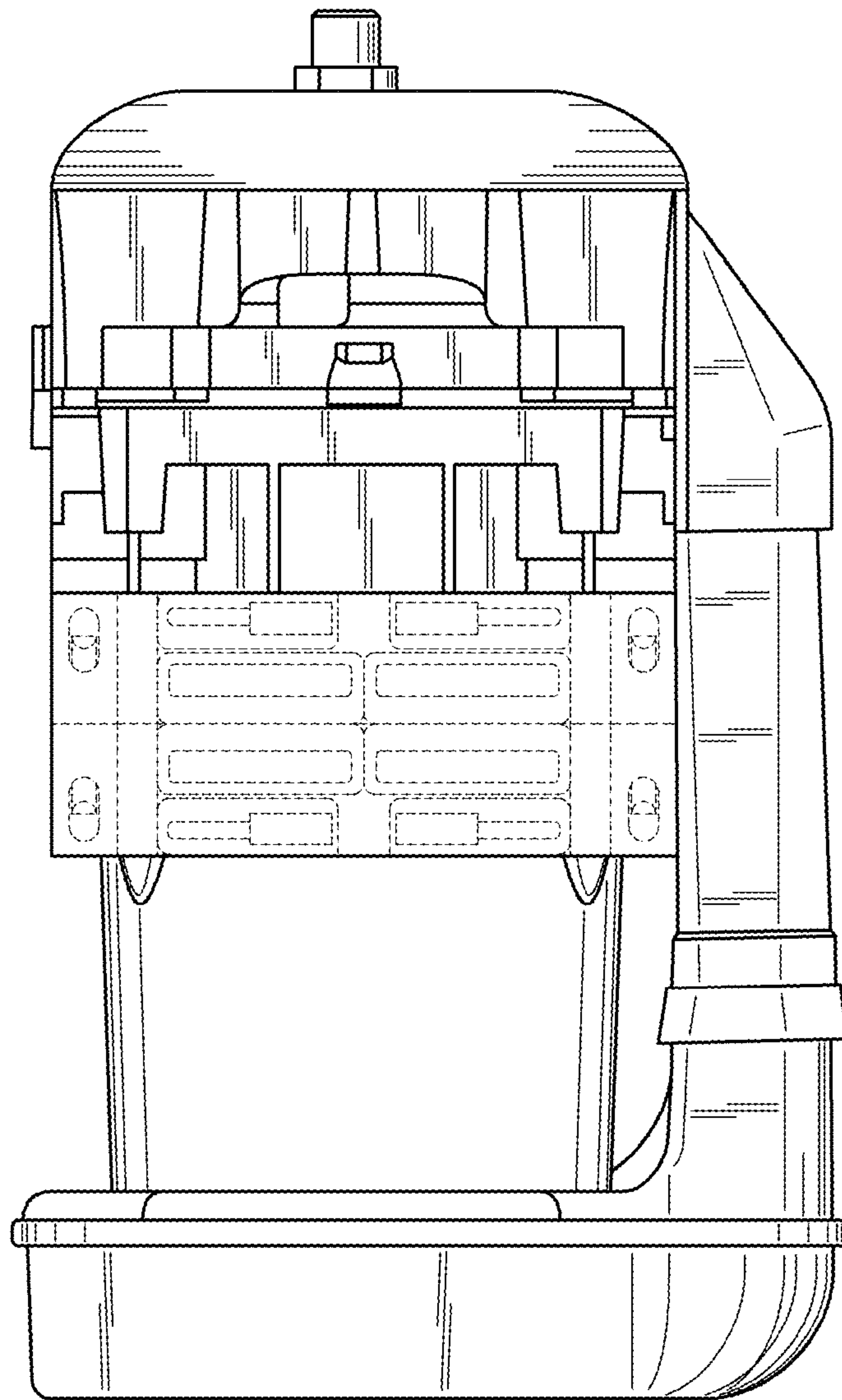


FIG. 7