



US00D835677S

(12) **United States Design Patent**  
**Takeda et al.**

(10) **Patent No.:** **US D835,677 S**

(45) **Date of Patent:** **\*\* Dec. 11, 2018**

(54) **MOLDED COIL FOR CENTRIFUGAL PUMP UNIT**

(71) Applicant: **SAGINOMIYA SEISAKUSHO, INC.**,  
Tokyo (JP)

(72) Inventors: **Tsuyoshi Takeda**, Sayama (JP); **Taiki Nakagawa**, Sayama (JP); **Shohei Ozeki**, Sayama (JP)

(73) Assignee: **SAGINOMIYA SEISAKUSHO, INC.**,  
Tokyo (JP)

(\*\*) Term: **15 Years**

(21) Appl. No.: **29/602,470**

(22) Filed: **May 1, 2017**

(30) **Foreign Application Priority Data**

Nov. 18, 2016 (JP) ..... 2016-025146

(51) **LOC (11) Cl.** ..... **15-02**

(52) **U.S. Cl.**  
USPC ..... **D15/7**

(58) **Field of Classification Search**  
USPC ..... D15/7-9; D23/231, 232, 225; 417/60,  
417/235, 265, 321, 355, 358, 363, 359,  
417/410.1, 415-416, 405, 900, 423.7;  
60/408, 412; 184/26-37; 415/140-147;  
123/495, 509; 137/565.34  
CPC ..... F02M 37/04; F02M 37/14  
See application file for complete search history.

(56) **References Cited**

**U.S. PATENT DOCUMENTS**

D484,146 S \* 12/2003 Urano ..... D15/7  
D520,023 S \* 5/2006 Goto ..... D15/7  
D520,024 S \* 5/2006 Chen ..... D15/7

D534,548 S \* 1/2007 Urano ..... D15/7  
D602,500 S \* 10/2009 Tokunaga ..... D15/7  
D616,903 S \* 6/2010 Kimura ..... D15/7  
D763,321 S \* 8/2016 Ostrosky ..... D15/7  
D765,145 S 8/2016 Takeda et al.  
D765,146 S 8/2016 Takeda et al.  
D766,987 S 9/2016 Takeda et al.

\* cited by examiner

*Primary Examiner* — Ralf Seifert

(74) *Attorney, Agent, or Firm* — Reising Ethington P.C.

(57) **CLAIM**

We claim the ornamental design of a molded coil for centrifugal pump unit, as shown and described.

**DESCRIPTION**

FIG. 1 is a front view of a molded coil for a centrifugal pump unit showing our new design;

FIG. 2 is a rear view of a molded coil for a centrifugal pump unit;

FIG. 3 is a right side view of a molded coil for a centrifugal pump unit;

FIG. 4 is a left side view of a molded coil for a centrifugal pump unit;

FIG. 5 is a plan view of a molded coil for a centrifugal pump unit;

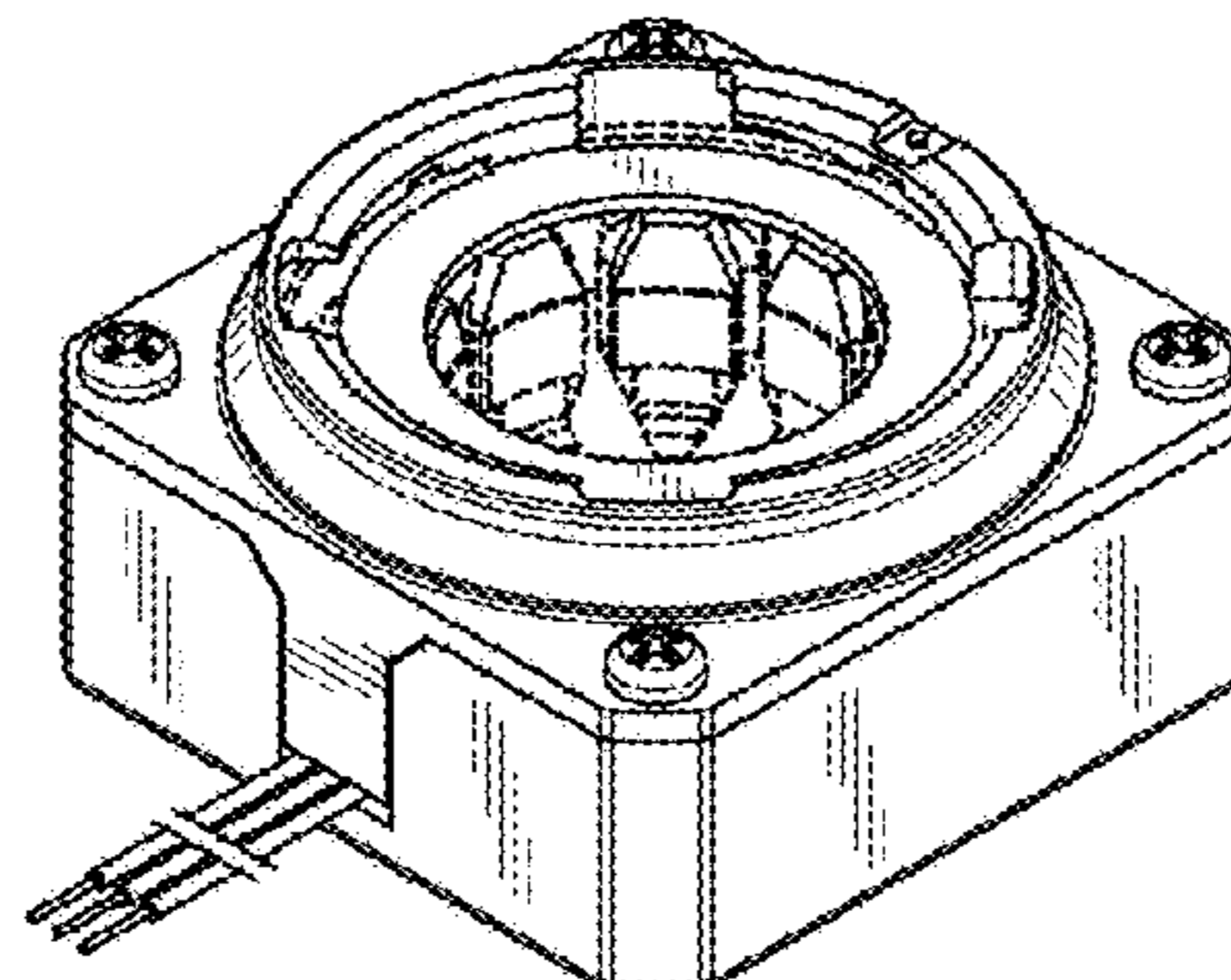
FIG. 6 is a bottom view of a molded coil for a centrifugal pump unit;

FIG. 7 is a perspective top view of a molded coil for a centrifugal pump unit when viewed from the front and right side; and,

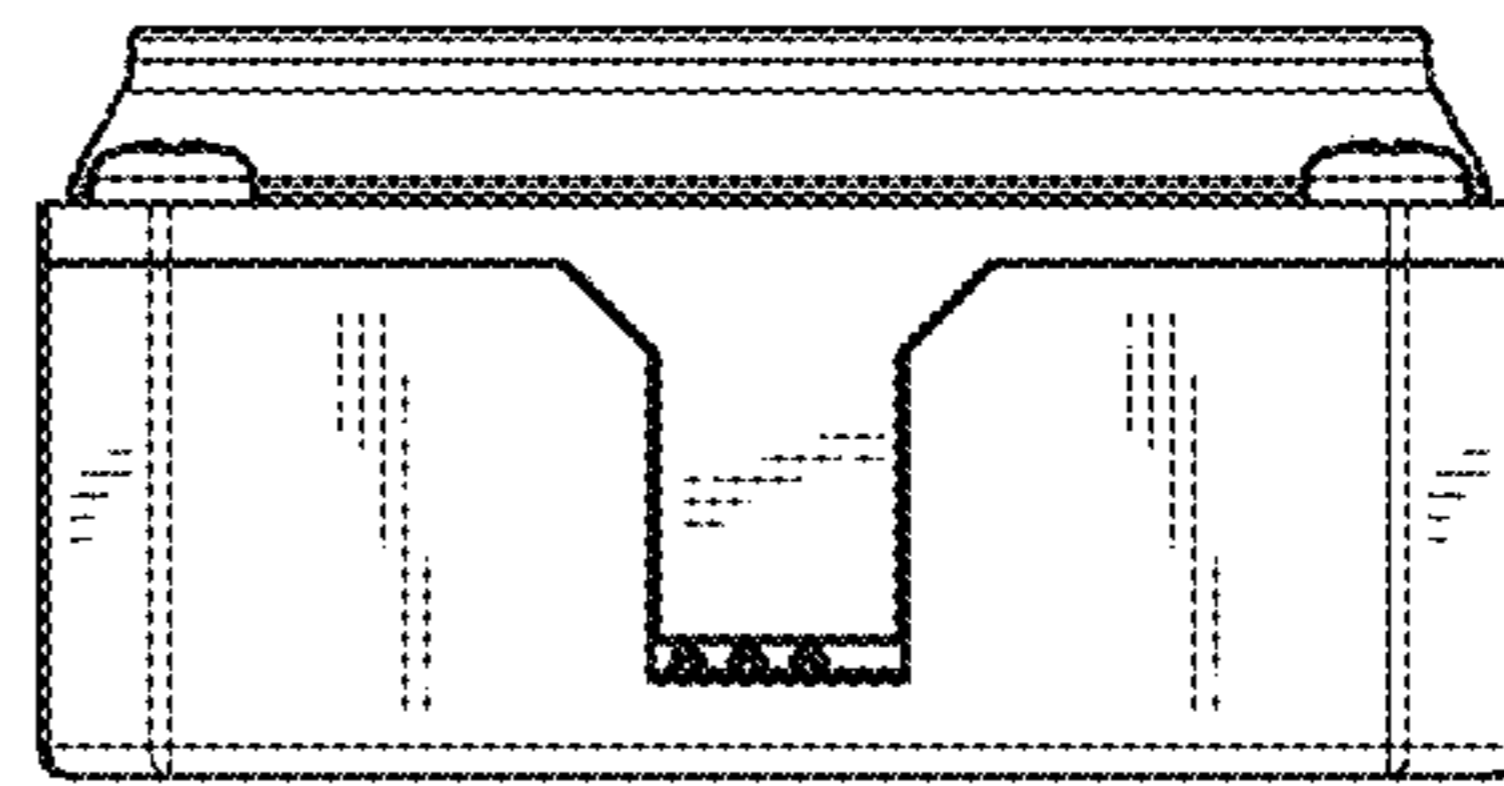
FIG. 8 is a perspective bottom view of a molded coil for a centrifugal pump unit when viewed from the front and left side.

The broken lines are included for the purpose of illustrating portions of the molded coil for centrifugal pump unit that form no part of the claimed design.

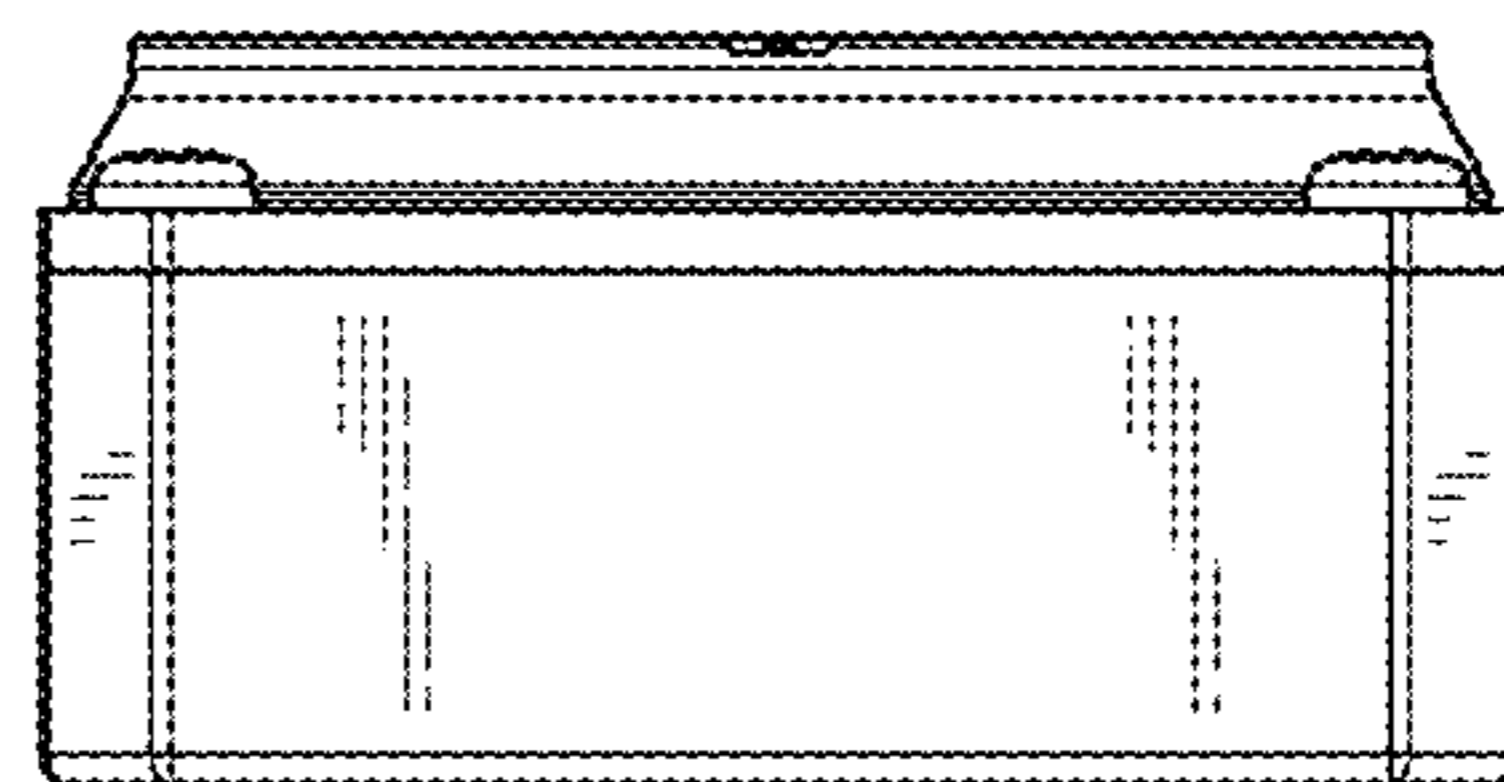
**1 Claim, 4 Drawing Sheets**



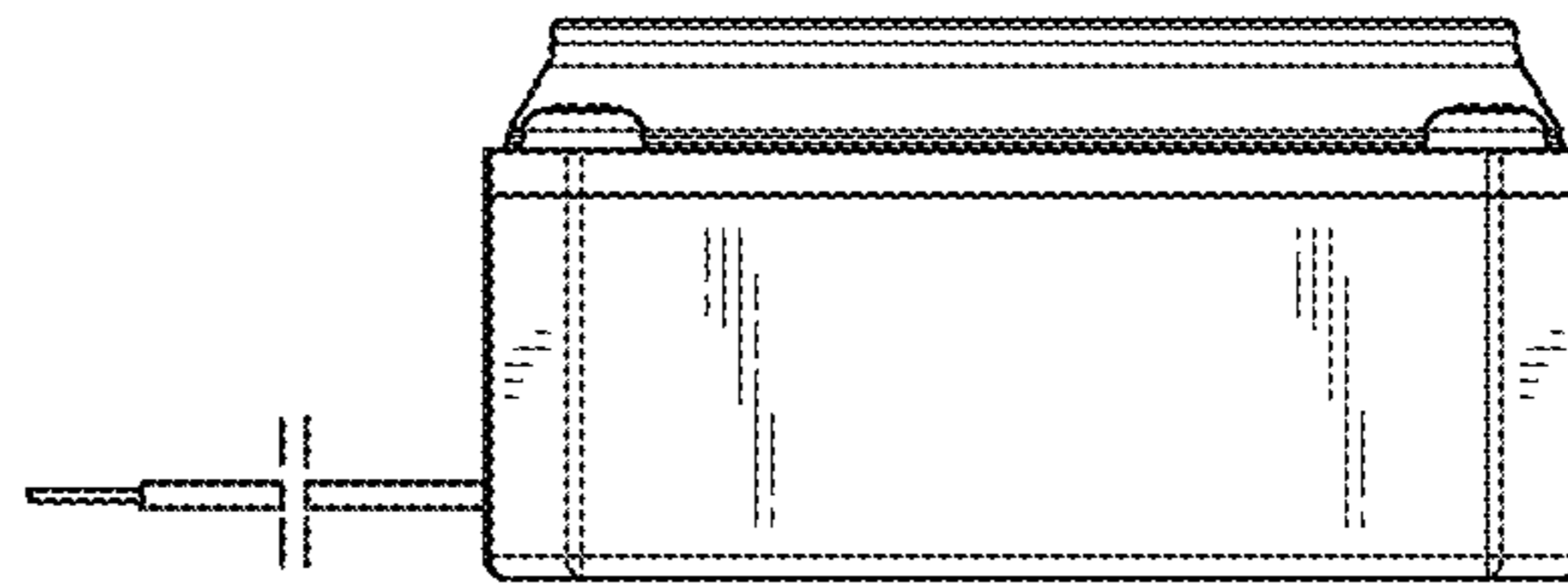
*FIG. 1*



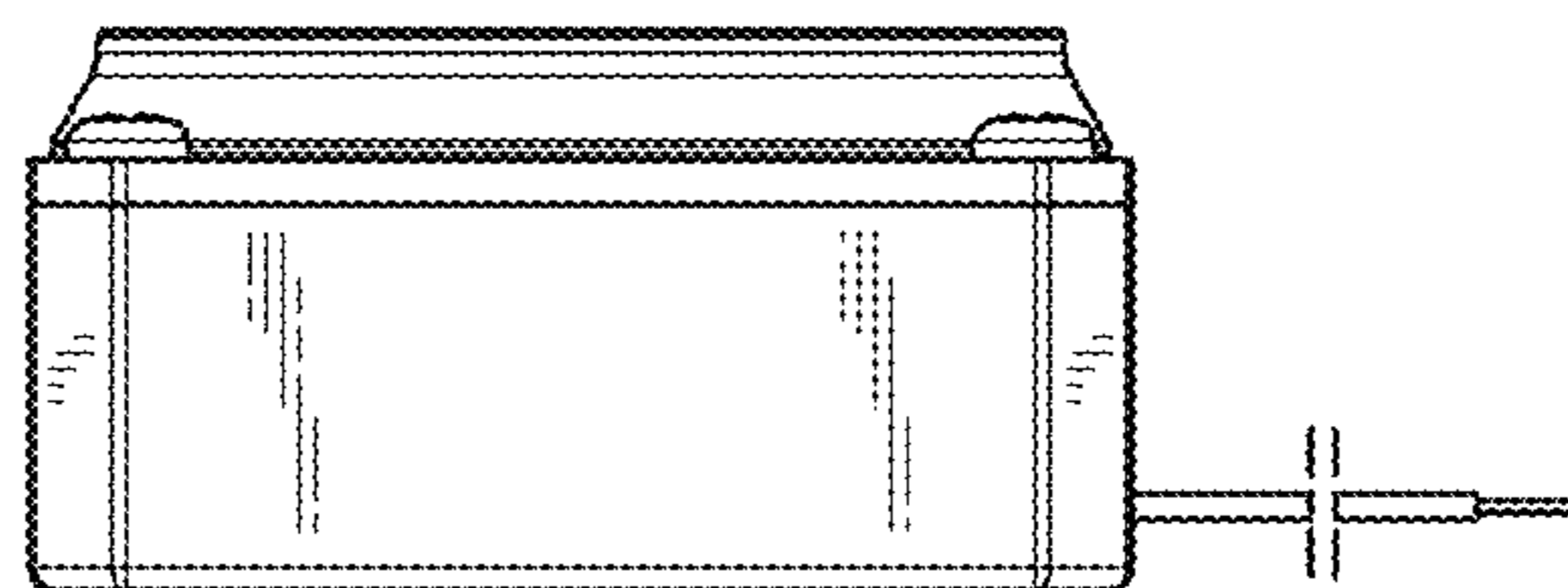
*FIG. 2*



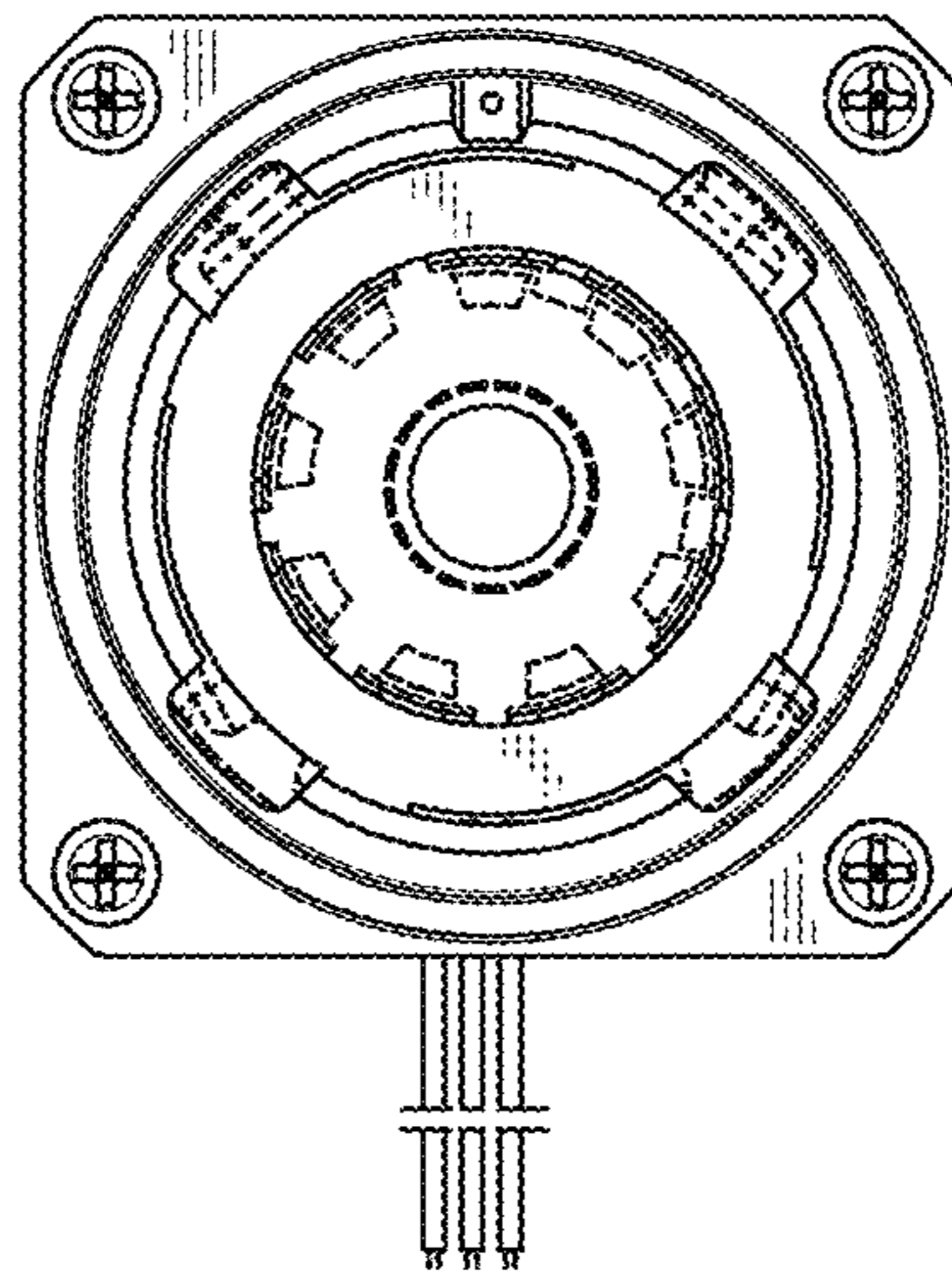
***FIG. 3***



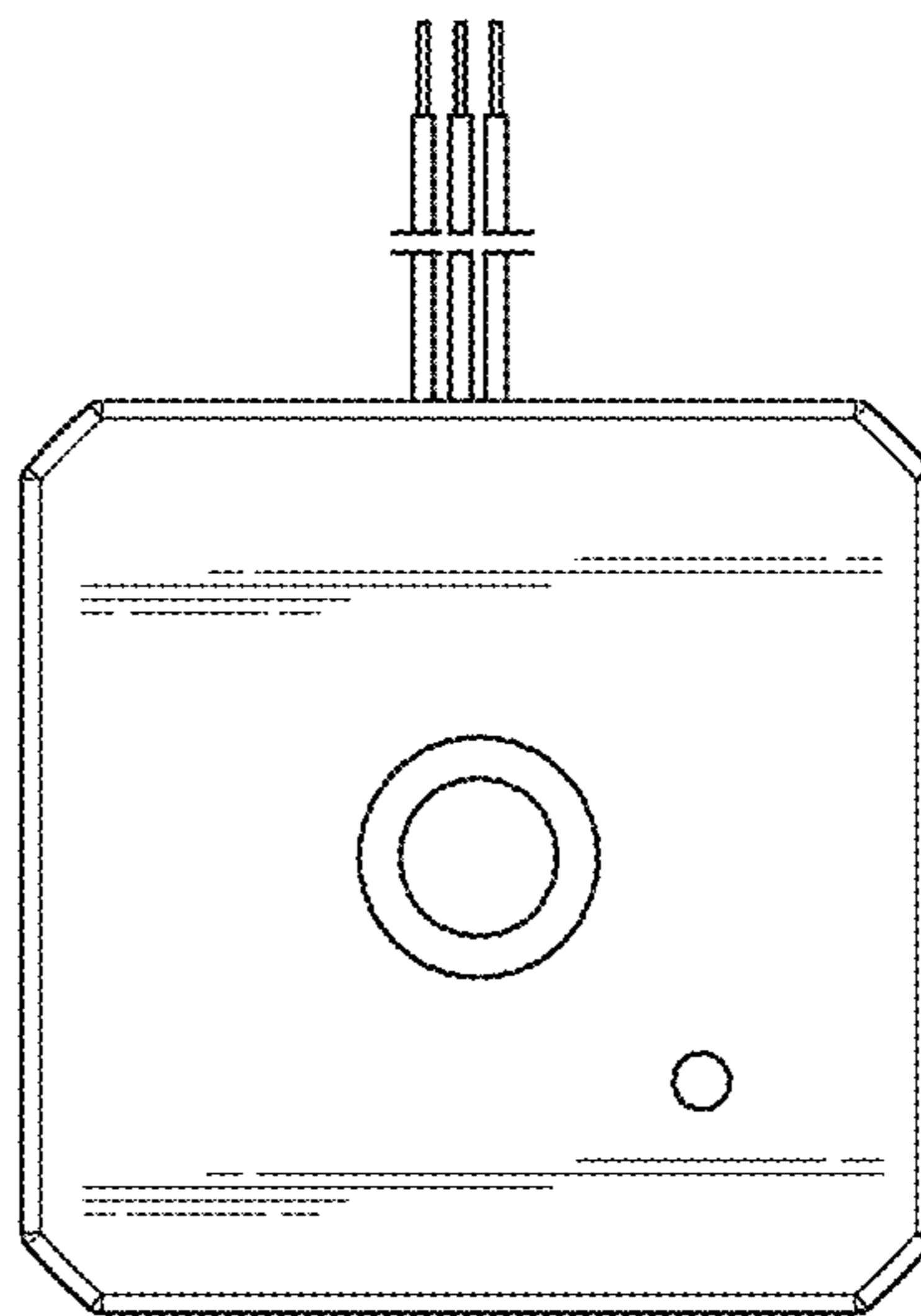
***FIG. 4***



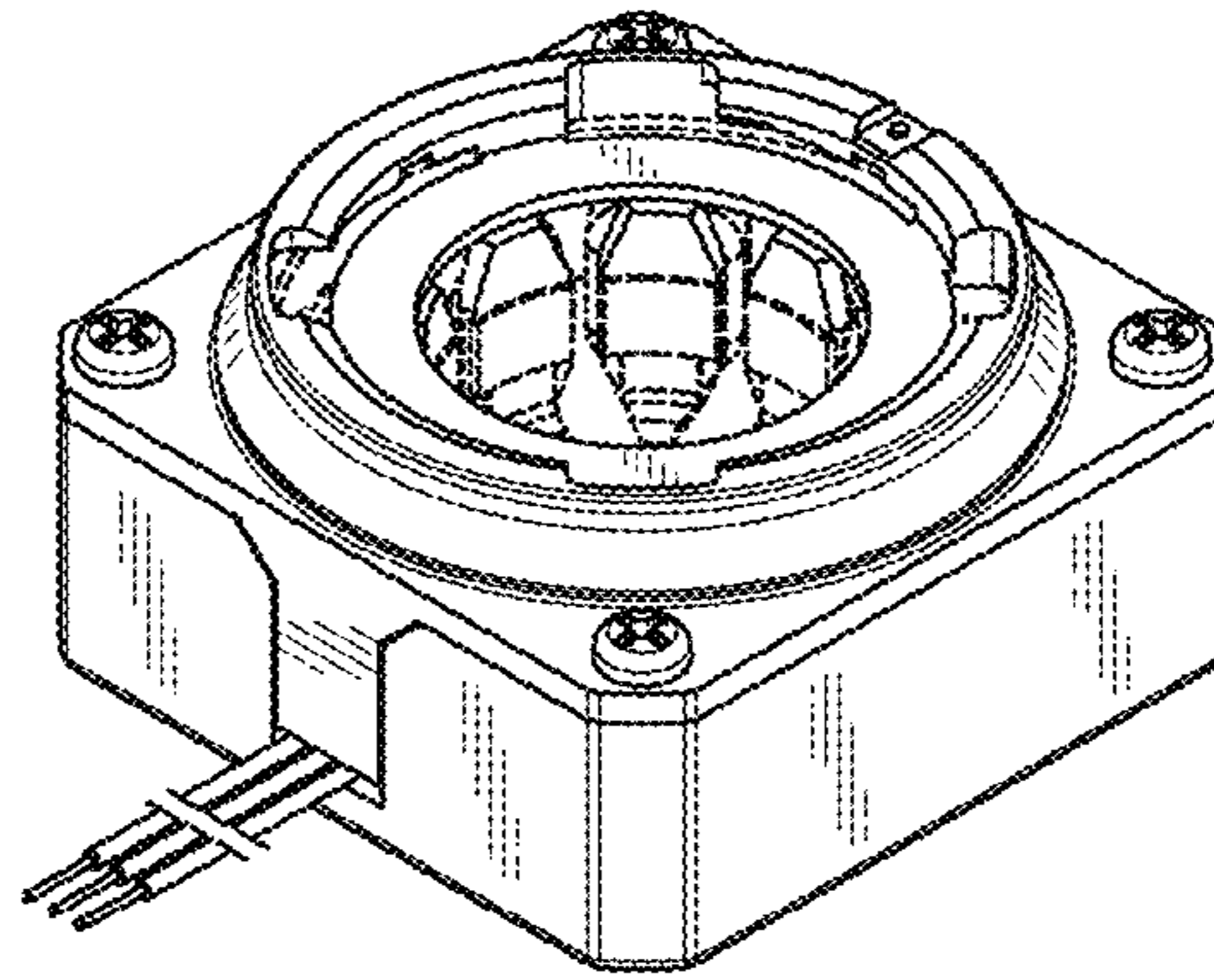
**FIG. 5**



**FIG. 6**



**FIG. 7**



**FIG. 8**

