



US00D835676S

(12) **United States Design Patent** (10) **Patent No.:** **US D835,676 S**
Marini (45) **Date of Patent:** **** Dec. 11, 2018**

(54) **ACCESSORIES FOR INFLATION AND REPAIR OF TIRES**

- (71) Applicant: **TEK GLOBAL S.r.l.**, Pesaro (IT)
- (72) Inventor: **Maurizio Marini**, Pesaro (IT)
- (73) Assignee: **TEK GLOBAL S.R.L.**, Pesaro (IT)
- (**) Term: **15 Years**
- (21) Appl. No.: **29/589,118**
- (22) Filed: **Dec. 28, 2016**

Related U.S. Application Data

- (62) Division of application No. 29/497,848, filed on Jul. 29, 2014, now Pat. No. Des. 778,959.

(30) **Foreign Application Priority Data**

Jan. 29, 2014 (EM) 002394833

(51) **LOC (11) Cl.** **15-02**

(52) **U.S. Cl.**
USPC **D15/7**

(58) **Field of Classification Search**

USPC D15/7-9; D23/231, 232, 225; 417/60, 417/235, 265, 321, 355, 358, 363, 359, 417/410.1, 415-416, 405, 900; 60/408, 60/412; 184/26-37; 415/140-147, 127; 123/495, 509; 137/565.34

CPC F02M 37/04; F02M 37/14
See application file for complete search history.

(56) **References Cited**

U.S. PATENT DOCUMENTS

D214,962 S *	8/1969	Levin	D15/8
D223,685 S *	5/1972	McPherson	D15/138
D327,274 S *	6/1992	Matre	D15/7
D498,480 S *	11/2004	Tsai	D15/7
D498,481 S *	11/2004	Wang	D15/8
D534,447 S *	1/2007	Marini	D10/86
D613,320 S *	4/2010	Marini	D15/199
D623,201 S *	9/2010	Yu	D15/7
D649,164 S *	11/2011	Cook	D15/7
D668,676 S *	10/2012	Ohm	D15/7
D705,819 S *	5/2014	Seymour	D15/9
D759,201 S *	6/2016	Wu	D15/7
D770,537 S *	11/2016	Ootake	D15/7
D771,712 S *	11/2016	Ootake	D15/7

* cited by examiner

Primary Examiner — Ralf Seifert

(74) *Attorney, Agent, or Firm* — Ladas & Parry LLP

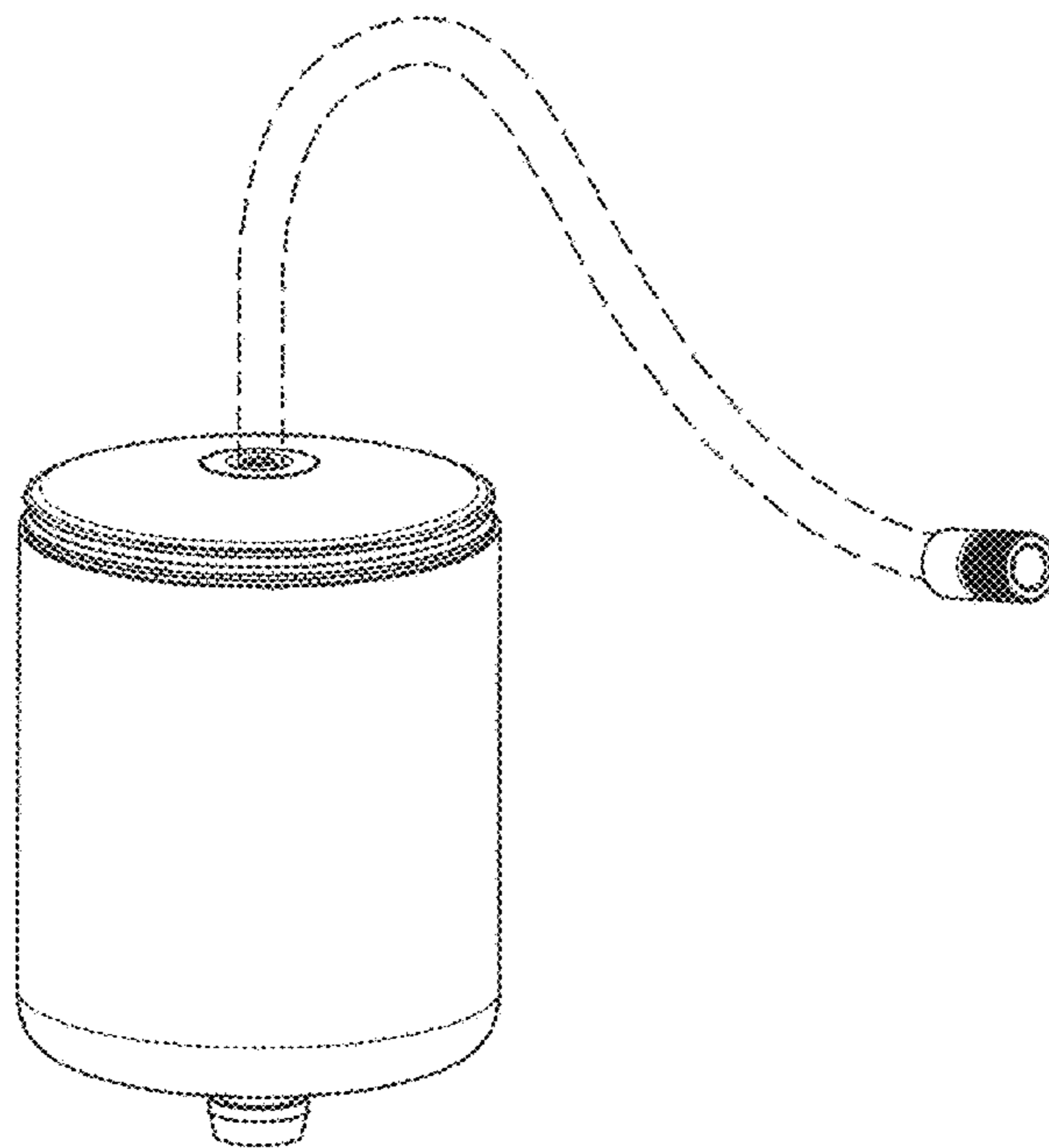
(57) **CLAIM**

I claim the ornamental design for accessories for inflation and repair of tires, as shown and described.

DESCRIPTION

FIG. 1 is a top/side perspective view of our new design for accessories for inflation and repair of tires;
FIG. 2 is a front elevation view thereof;
FIG. 3 is a rear elevation view thereof;
FIG. 4 is a left side elevation view thereof;
FIG. 5 is a right side elevation view thereof;
FIG. 6 is a top plan view thereof; and,
FIG. 7 is a bottom plan view thereof.
The broken lines are for illustrative purposes only and form no part of the claimed design.

1 Claim, 7 Drawing Sheets



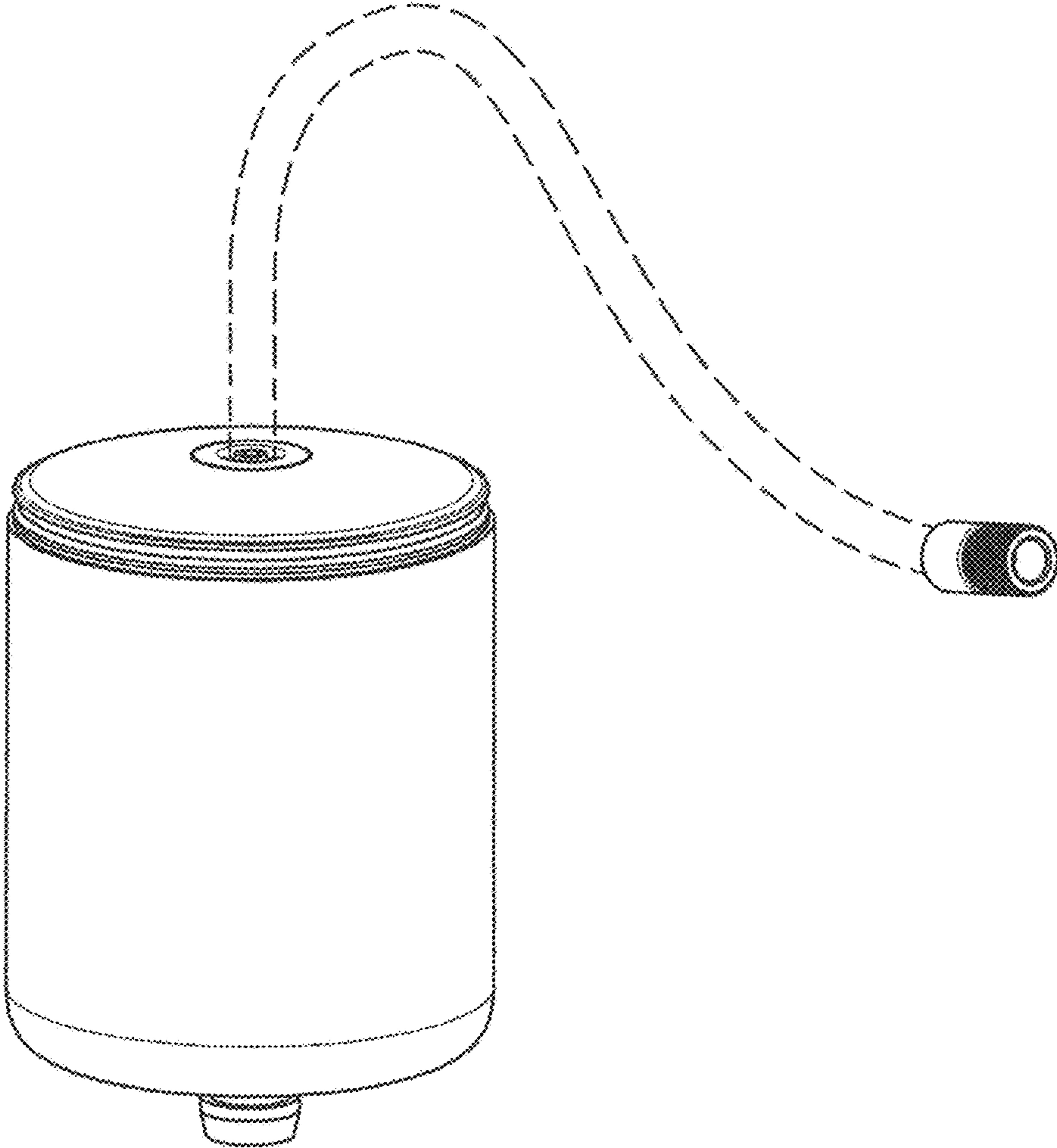


FIG. 1

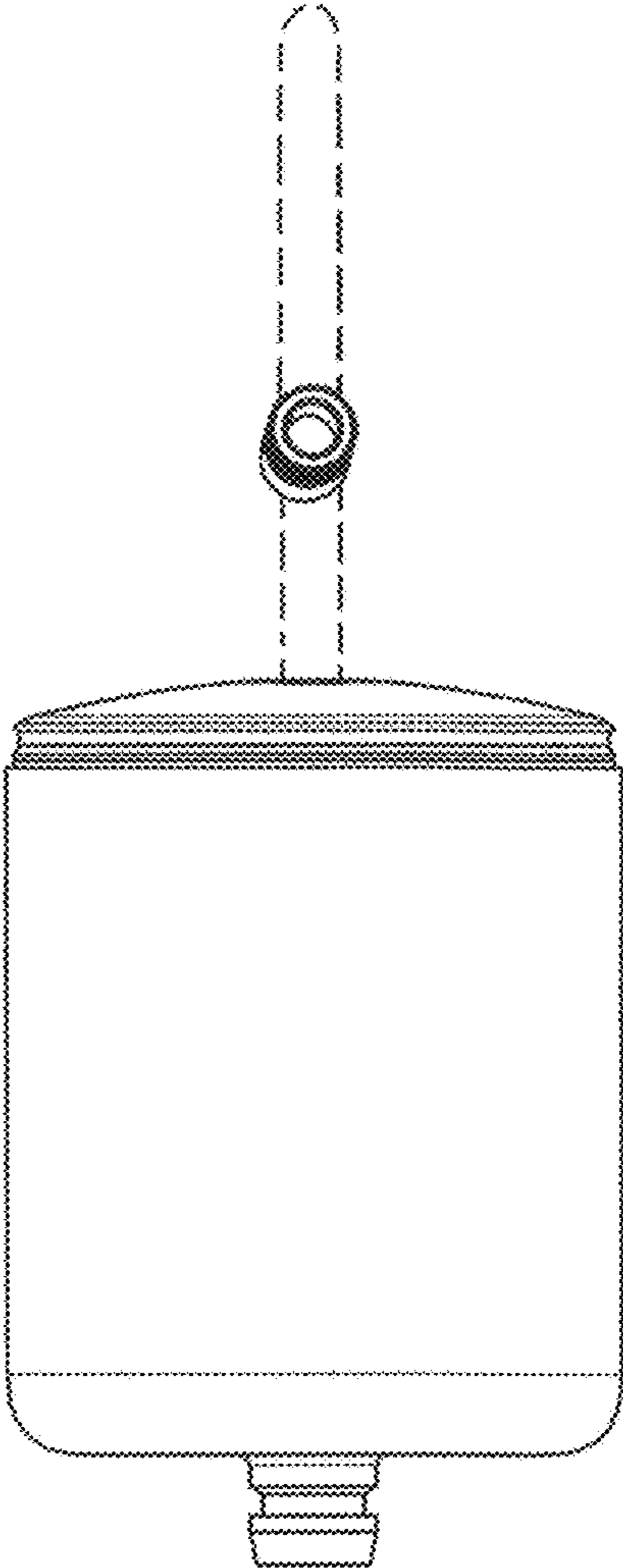


FIG. 2

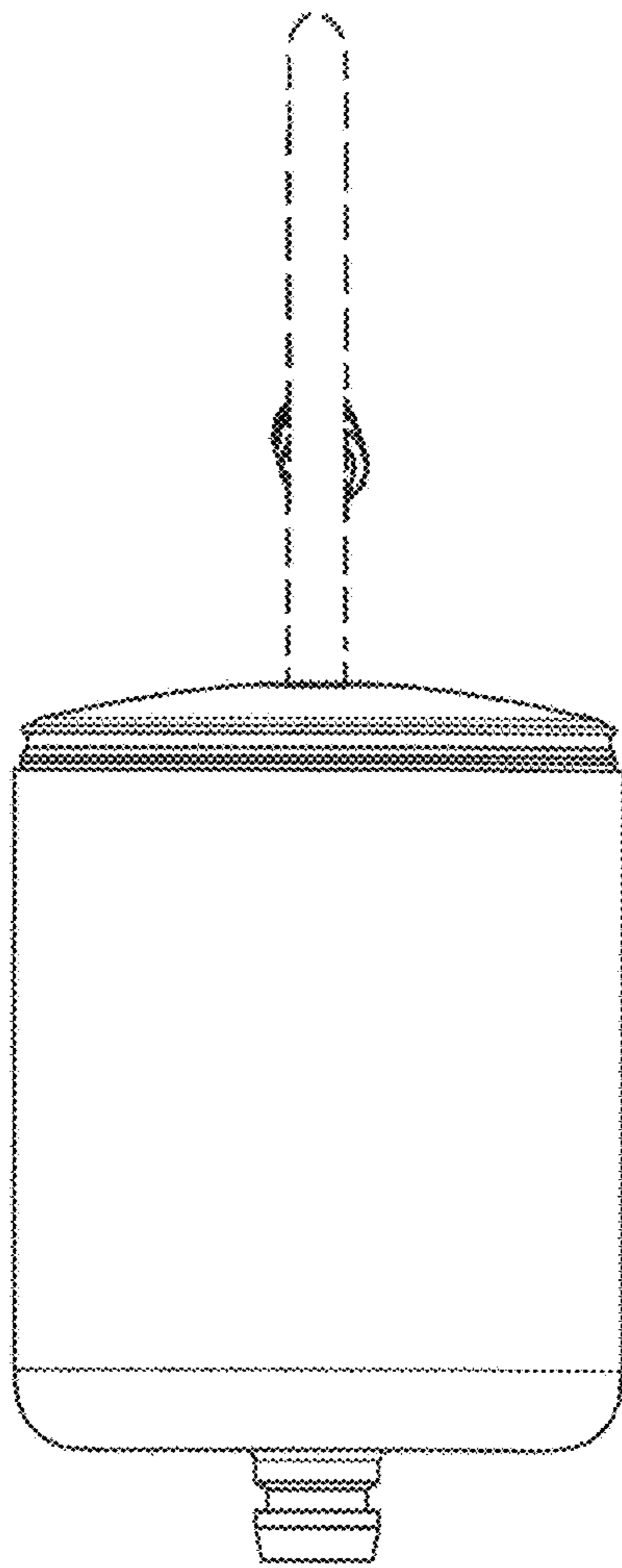


FIG. 3

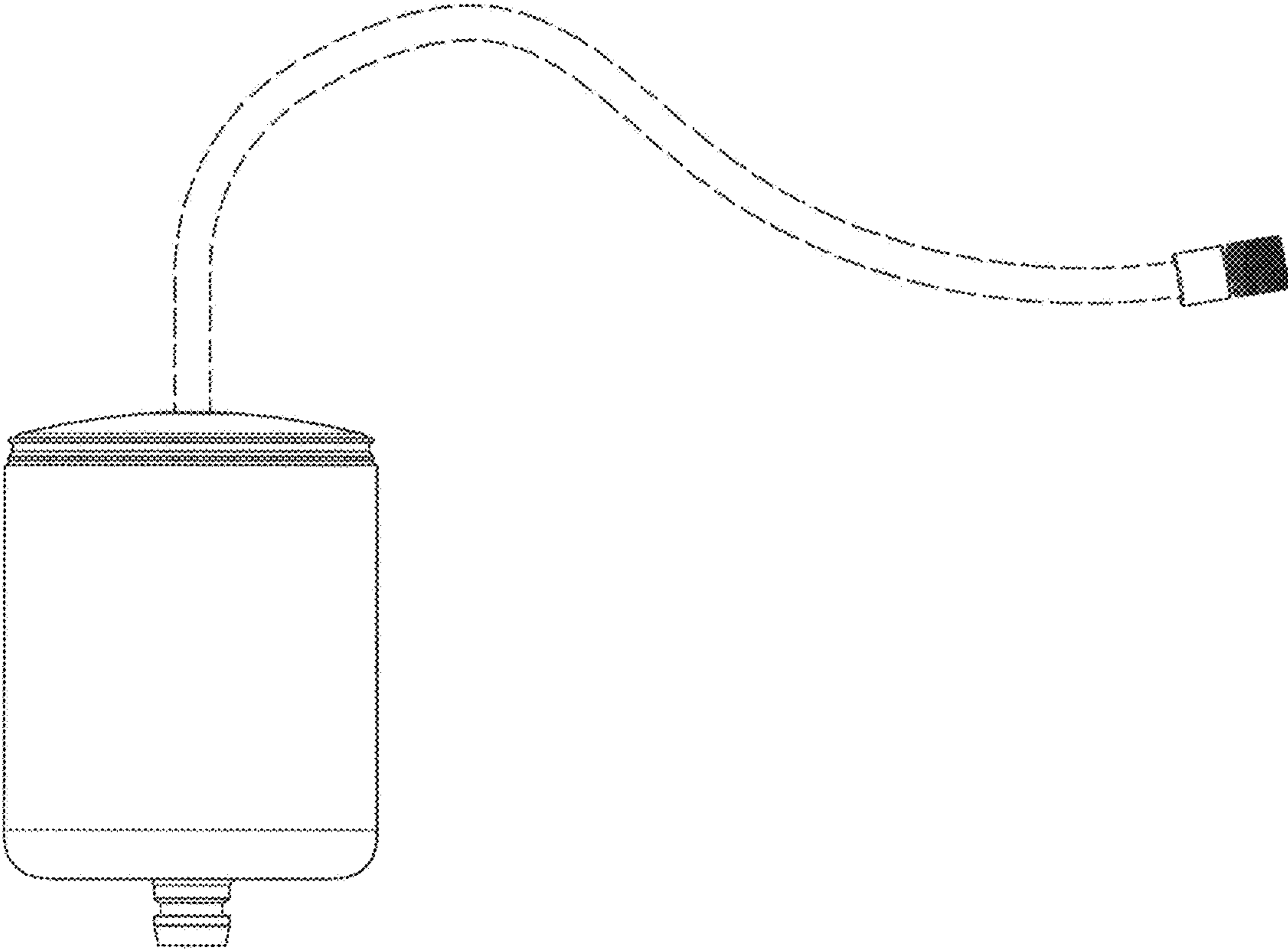


FIG. 4

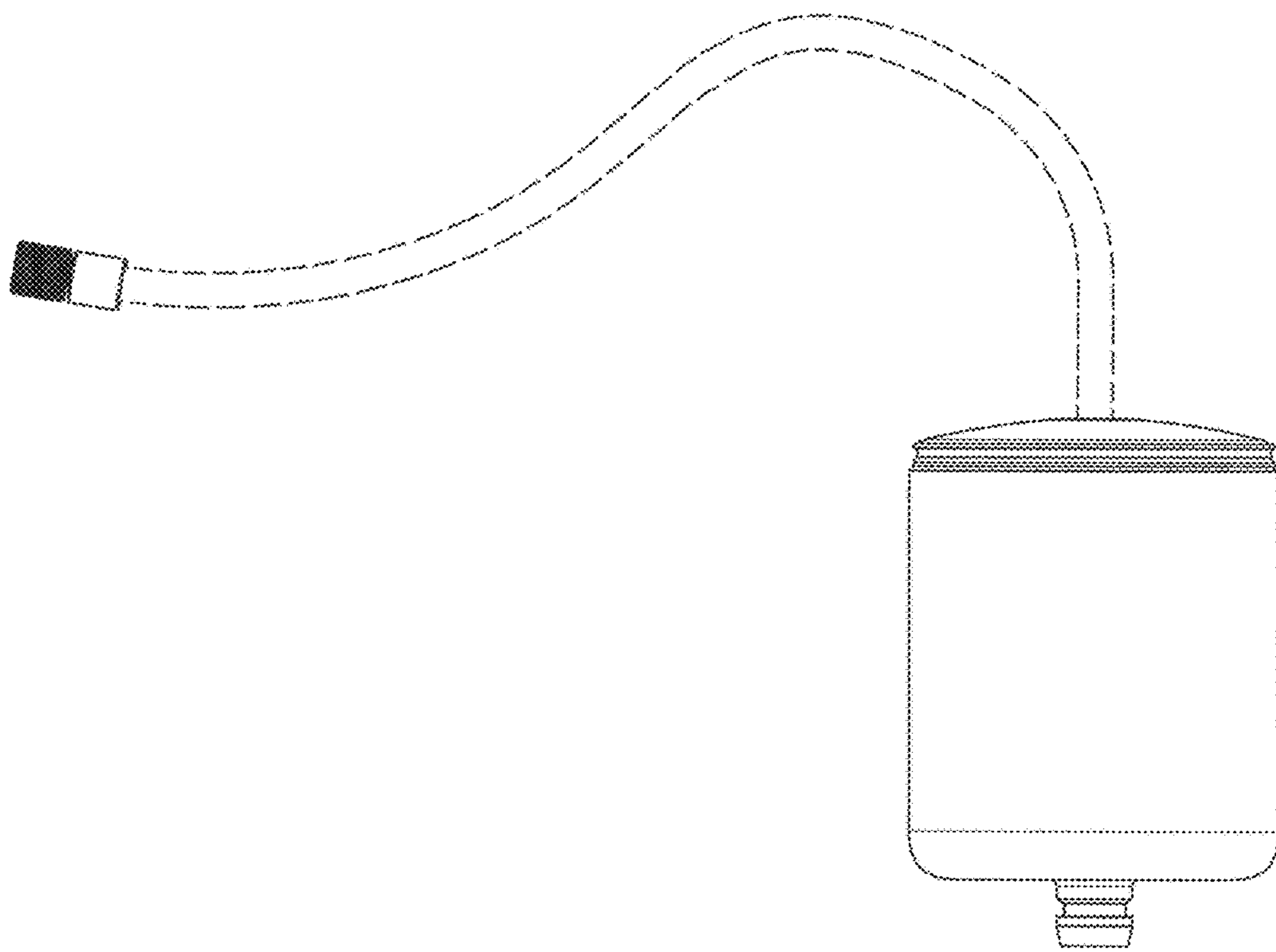


FIG. 5

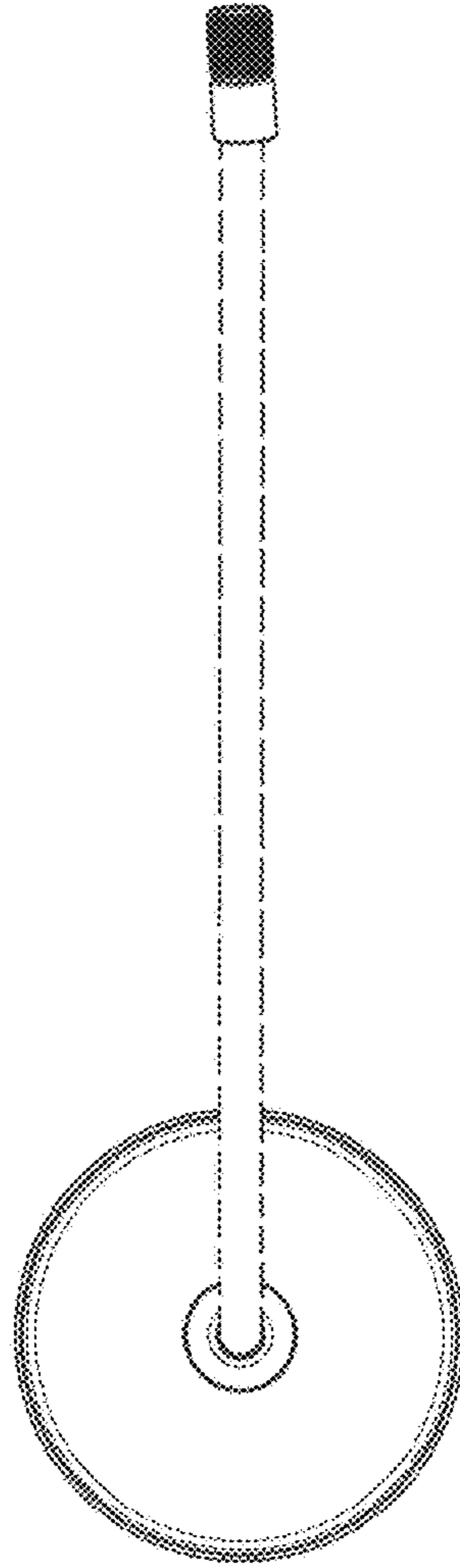


FIG. 6

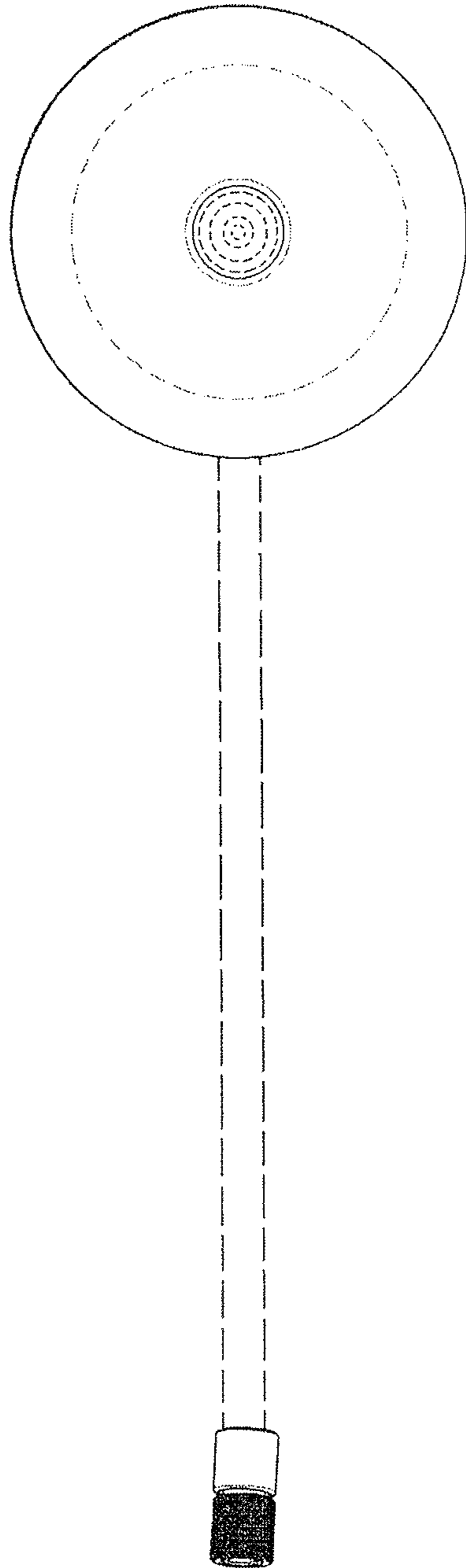


FIG. 7