

US00D835669S

(12) **United States Design Patent** (10) **Patent No.:** **US D835,669 S**
Hong (45) **Date of Patent:** **** Dec. 11, 2018**

(54) **DISPLAY SCREEN OR PORTION THEREOF WITH A GRAPHICAL USER INTERFACE HAVING A TRANSITIONAL ICON**

(71) Applicant: **SAP SE**, Walldorf (DE)
(72) Inventor: **Richard Hong**, San Jose, CA (US)
(73) Assignee: **SAP SE**, Walldorf (DE)

(**) Term: **15 Years**

(21) Appl. No.: **29/578,621**

(22) Filed: **Sep. 22, 2016**

(51) **LOC (11) Cl.** **14-04**

(52) **U.S. Cl.**
USPC **D14/492**

(58) **Field of Classification Search**
USPC D14/485-495
CPC G06F 2203/04807; G06F 3/0481; G06F 3/04817; G06F 17/212; G06T 13/80; G06T 15/02; H04N 1/00424
See application file for complete search history.

(56) **References Cited**

U.S. PATENT DOCUMENTS

- D425,497 S * 5/2000 Eisenberg D14/487
- D446,790 S * 8/2001 Wang D14/486
- D454,574 S * 3/2002 Wasko D14/487
- D521,521 S * 5/2006 Jewitt D14/487
- D641,372 S * 7/2011 Gardner D14/486
- D644,662 S * 9/2011 Gardner D14/491
- D671,136 S * 11/2012 Barnett D14/487
- D726,214 S * 4/2015 Wantland D14/487
- D737,310 S * 8/2015 Ma D14/487
- D740,834 S * 10/2015 Song D14/485
- D740,835 S * 10/2015 Song D14/485
- D749,626 S * 2/2016 Park D14/488
- D750,098 S * 2/2016 Song D14/485
- D750,125 S * 2/2016 Yang D14/488
- D753,676 S * 4/2016 Oh D14/485
- D754,728 S * 4/2016 Akana D14/488
- D758,394 S * 6/2016 Weber D14/486
- D758,420 S * 6/2016 Zhou D14/488
- D759,677 S * 6/2016 Oguntebi D14/485

- D764,520 S * 8/2016 Lee D14/488
- D766,252 S * 9/2016 Miyazaki D14/485
- D768,185 S * 10/2016 Lee D14/487
- D771,060 S * 11/2016 Miyazaki D14/485
- D773,502 S * 12/2016 Park D14/486
- D776,124 S * 1/2017 Lee D14/485
- D780,769 S * 3/2017 Mensinger D14/485
- D782,503 S * 3/2017 Lee D14/485
- D783,657 S * 4/2017 Pitman D14/486
- D784,366 S * 4/2017 Lee D14/485
- D789,976 S * 6/2017 Gibson D14/488
- D797,793 S * 9/2017 Nichols D14/486
- D798,334 S * 9/2017 Dye D14/489
- D802,607 S * 11/2017 Apodaca D14/485
- D806,093 S * 12/2017 Lee D14/485
- D807,907 S * 1/2018 Dellinger D14/486
- D809,006 S * 1/2018 Mehta D14/489
- D813,900 S * 3/2018 Karunamuni D14/487
- D814,504 S * 4/2018 Lee D14/487
- D819,043 S * 5/2018 Yamaura D14/485
- D820,307 S * 6/2018 Jian D14/489
- 2014/0137010 A1 5/2014 Matas et al.
- 2014/0192229 A1* 7/2014 Kim G06K 9/00302
348/231.3
- 2014/0192232 A1* 7/2014 Park H04N 5/76
348/231.99
- 2015/0205511 A1 7/2015 Vinna et al.
- 2015/0312180 A1 10/2015 Taler
- 2015/0370444 A1 12/2015 Jitkoff et al.
- 2016/0110085 A1* 4/2016 Barton H04L 12/2823
715/736
- 2017/0329464 A1 11/2017 Hong
- 2017/0329465 A1 11/2017 Hong

OTHER PUBLICATIONS

“U.S. Appl. No. 15/348,166, Non Final Office Action dated May 17, 2018”, 12 pgs.

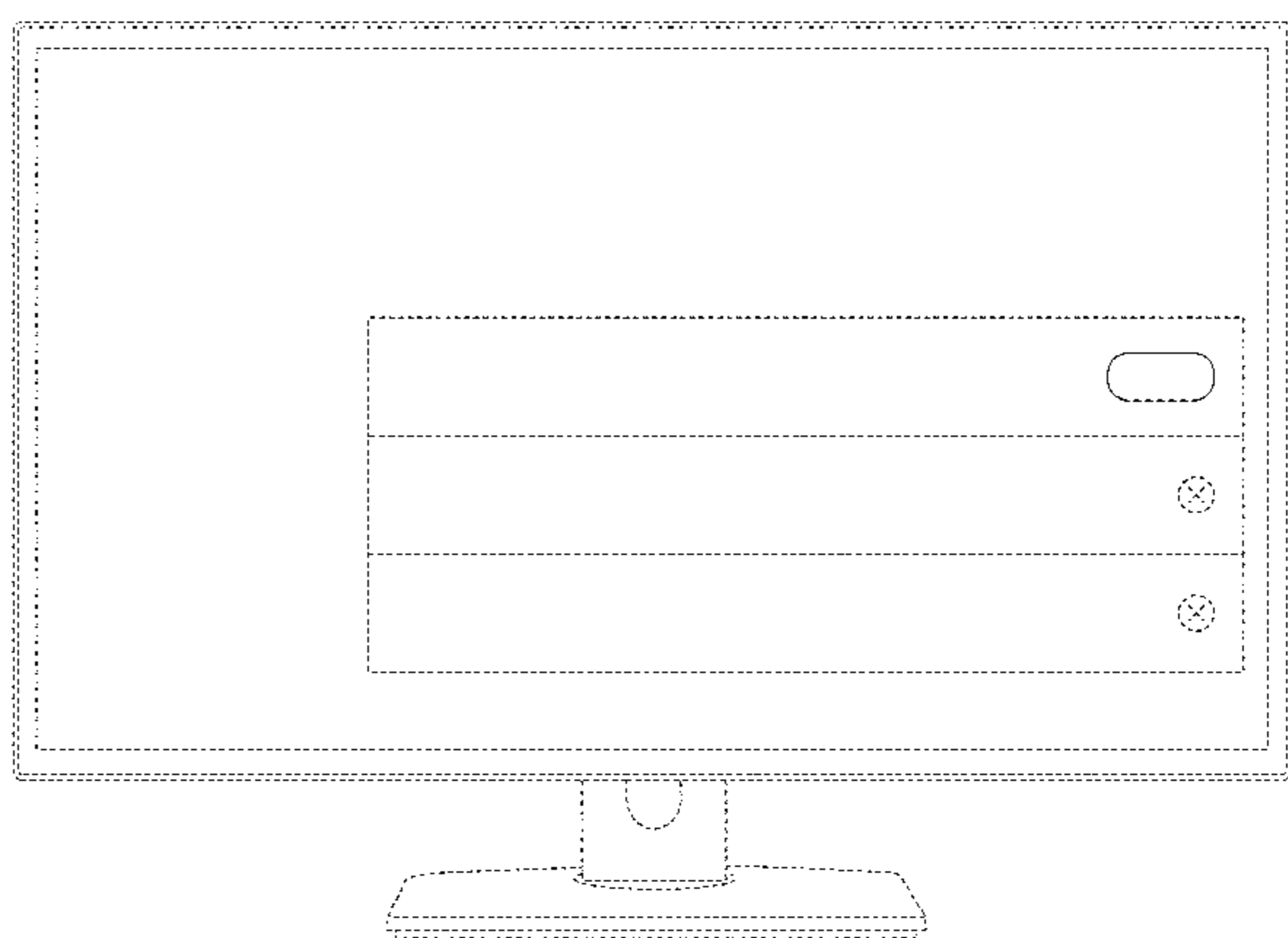
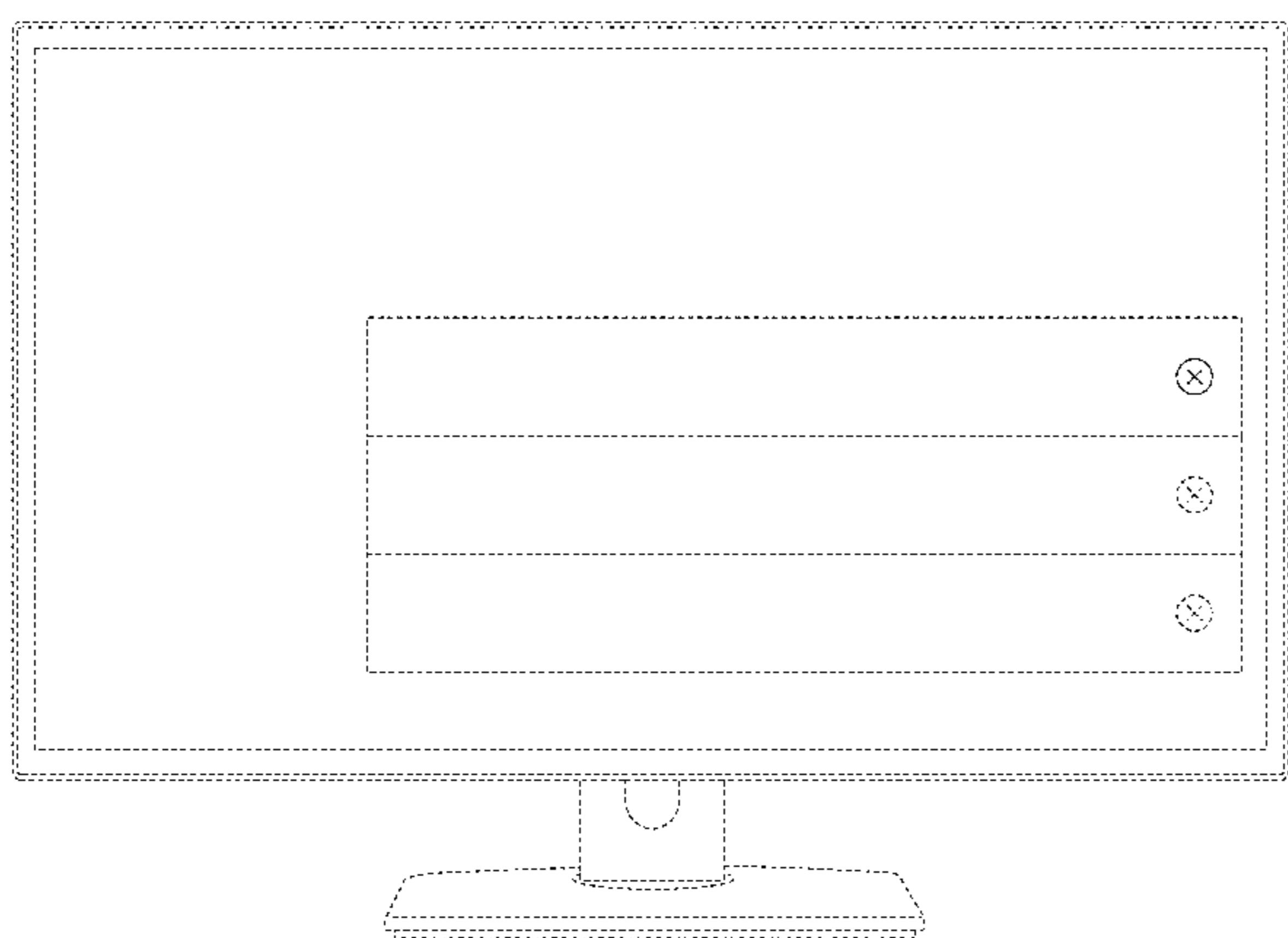
“U.S. Appl. No. 15/348,227, Non Final Office Action dated May 18, 2018”, 16 pgs.

* cited by examiner

Primary Examiner — Philip S Hyder

Assistant Examiner — Cary M Robinson

(74) *Attorney, Agent, or Firm* — Schwegman, Lundberg & Woessner, P.A.



(57)

CLAIM

The ornamental design for a display screen or portion thereof with a graphical user interface having a transitional icon, as shown and described.

DESCRIPTION

FIG. 1 is a front view of a display screen or portion thereof with a graphical user interface having a transitional icon, showing our new design in accordance with a first embodiment and, in particular, showing a first image thereof.

FIG. 2 is a front view of a display screen or portion thereof with a graphical user interface having a transitional icon, showing our new design in accordance with the first embodiment and, in particular, showing a second image thereof.

FIG. 3 is a front view of a display screen or portion thereof with a graphical user interface having a transitional icon, showing our new design in accordance with the first embodiment and, in particular, showing a third image thereof.

FIG. 4 is a front view of the display screen or portion thereof with a graphical user interface having a transitional icon, showing our new design in accordance with the first embodiment and, in particular, showing a fourth image thereof.

FIG. 5 is a front view of the display screen or portion thereof with a graphical user interface having a transitional icon, showing our new design in accordance with the first embodiment and, in particular, showing a fifth image thereof.

FIG. 6 is a front view of the display screen or portion thereof with a graphical user interface having a transitional icon, showing our new design in accordance with the first embodiment and, in particular, showing a sixth image thereof.

FIG. 7 is a front view of the display screen or portion thereof with a graphical user interface having a transitional icon, showing our new design in accordance with the first embodiment and, in particular, showing a seventh image thereof.

FIG. 8 is a front view of the display screen or portion thereof with a graphical user interface having a transitional icon, showing our new design in accordance with the first embodiment and, in particular, showing an eighth image thereof.

FIG. 9 is a front view of the display screen or portion thereof with a graphical user interface having a transitional icon, showing our new design in accordance with the first embodiment and, in particular, showing a ninth image thereof.

FIG. 10 is a front view of the display screen or portion thereof with a graphical user interface having a transitional icon, showing our new design in accordance with the first embodiment and, in particular, showing a tenth image thereof.

FIG. 11 is a front view of the display screen or portion thereof with a graphical user interface having a transitional icon, showing our new design in accordance with the first embodiment and, in particular, showing an eleventh image thereof.

FIG. 12 is a front view of the display screen or portion thereof with a graphical user interface having a transitional icon, showing our new design in accordance with the first embodiment and, in particular, showing a twelfth image thereof.

FIG. 13 is a front view of a display screen or portion thereof with a graphical user interface having a transitional icon, showing our new design in accordance with a second embodiment and, in particular, showing a first image thereof.

FIG. 14 is a front view of a display screen or portion thereof with a graphical user interface having a transitional icon,

showing our new design in accordance with the second embodiment and, in particular, showing a second image thereof.

FIG. 15 is a front view of a display screen or portion thereof with a graphical user interface having a transitional icon, showing our new design in accordance with the second embodiment and, in particular, showing a third image thereof.

FIG. 16 is a front view of the display screen or portion thereof with a graphical user interface having a transitional icon, showing our new design in accordance with the second embodiment and, in particular, showing a fourth image thereof.

FIG. 17 is a front view of the display screen or portion thereof with a graphical user interface having a transitional icon, showing our new design in accordance with the second embodiment and, in particular, showing a fifth image thereof.

FIG. 18 is a front view of the display screen or portion thereof with a graphical user interface having a transitional icon, showing our new design in accordance with the second embodiment and, in particular, showing a sixth image thereof.

FIG. 19 is a front view of the display screen or portion thereof with a graphical user interface having a transitional icon, showing our new design in accordance with the second embodiment and, in particular, showing a seventh image thereof.

FIG. 20 is a front view of the display screen or portion thereof with a graphical user interface having a transitional icon, showing our new design in accordance with the second embodiment and, in particular, showing an eighth image thereof.

FIG. 21 is a front view of the display screen or portion thereof with a graphical user interface having a transitional icon, showing our new design in accordance with the second embodiment and, in particular, showing a ninth image thereof.

FIG. 22 is a front view of the display screen or portion thereof with a graphical user interface having a transitional icon, showing our new design in accordance with the second embodiment and, in particular, showing a tenth image thereof.

FIG. 23 is a front view of the display screen or portion thereof with a graphical user interface having a transitional icon, showing our new design in accordance with the second embodiment and, in particular, showing an eleventh image thereof; and,

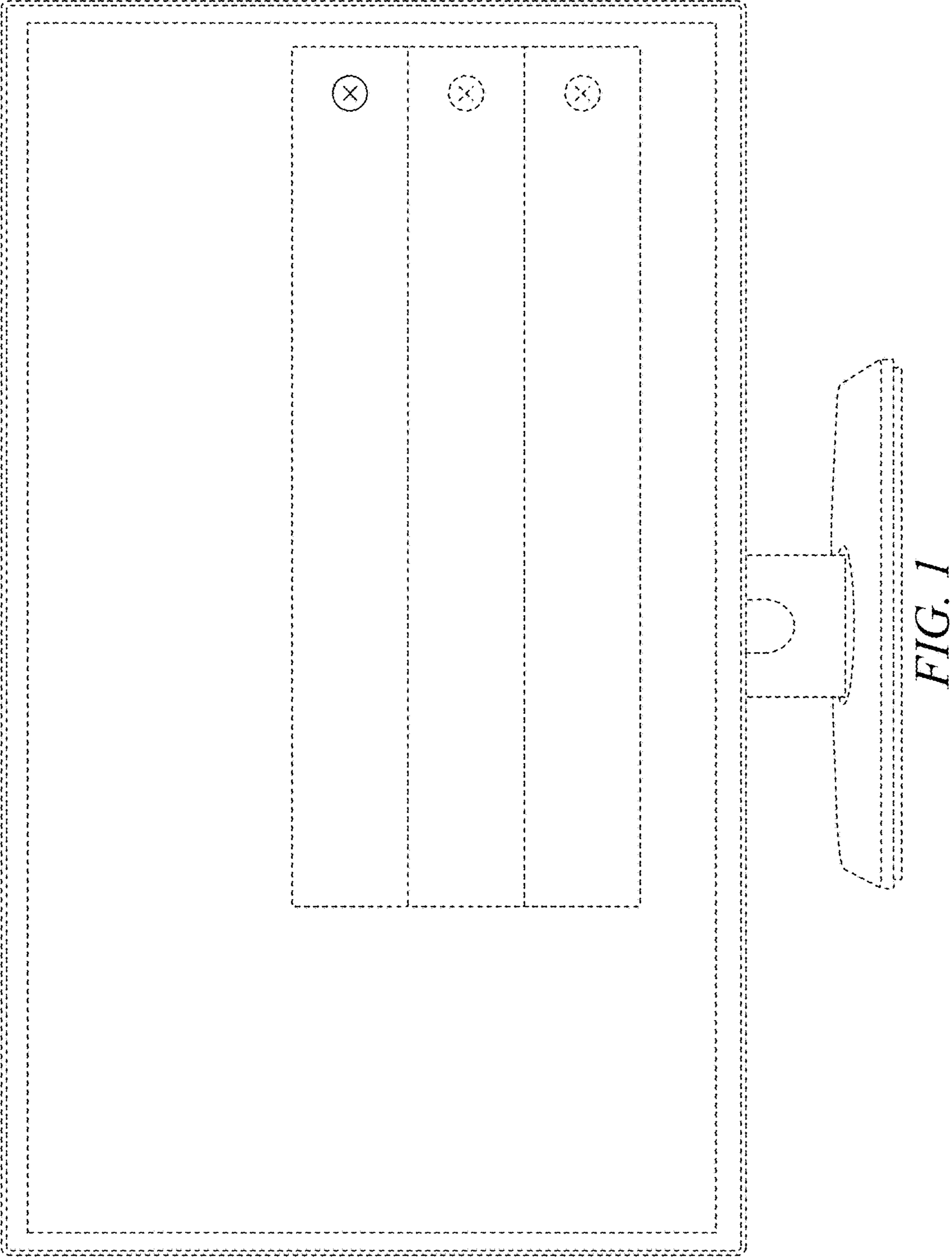
FIG. 24 is a front view of the display screen or portion thereof with a graphical user interface having a transitional icon, showing our new design in accordance with the second embodiment and, in particular, showing a twelfth image thereof.

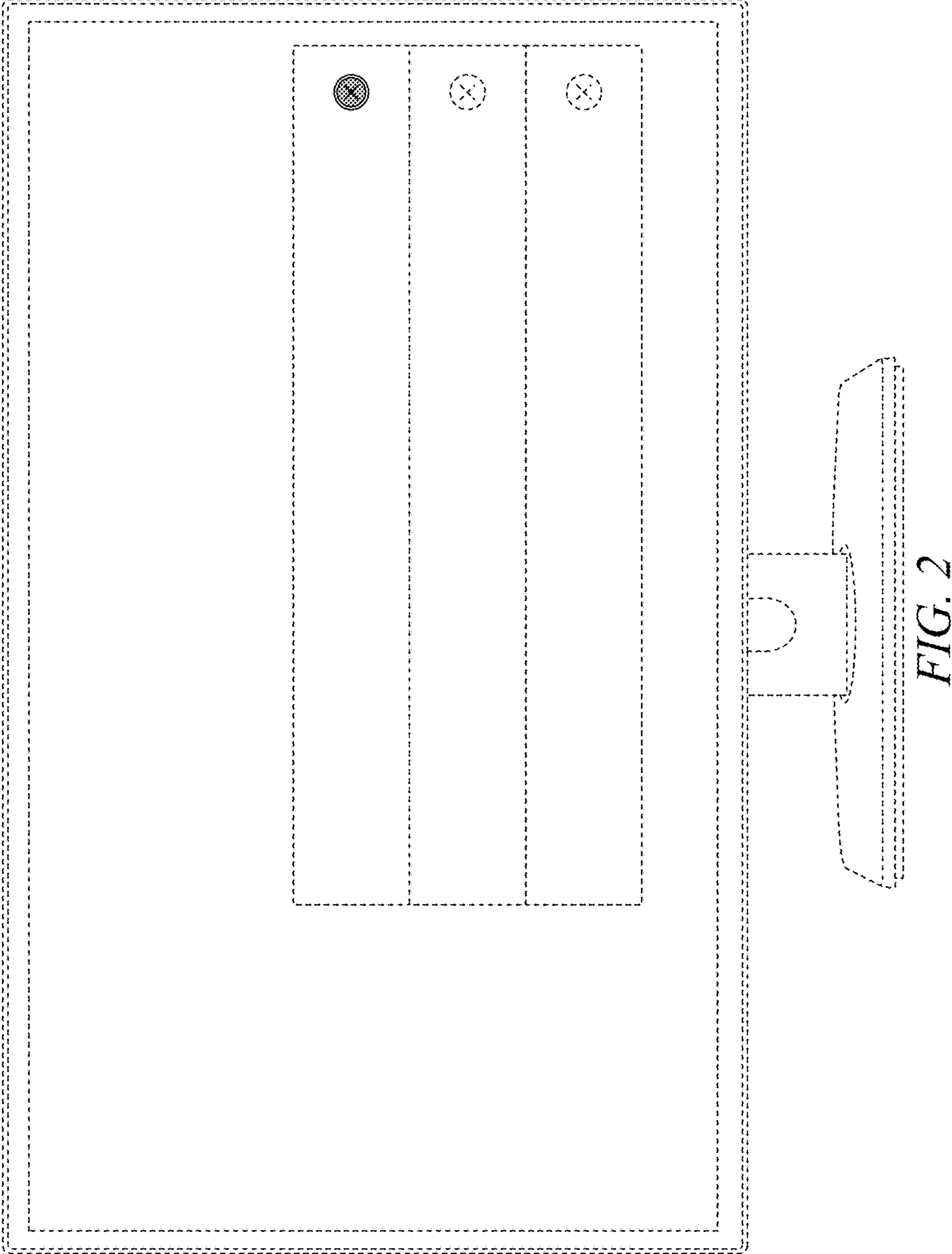
The outermost set of broken lines illustrate an electronic device, the broken line at the periphery of the figures illustrate the display screen, and the remainder of the broken lines illustrate portions of the graphical user interface having a transitional icon. None of the broken lines form part of the claimed design.

The appearance of the first embodiment of the graphical user interface with the transitional icon sequentially transitions among the images shown in FIGS. 1-12. The appearance of the second embodiment of the graphical user interface with the transitional icon sequentially transitions among the

images shown in FIGS. 13-24. The process or period in which one image transitions to another image forms no part of the claimed design.

1 Claim, 24 Drawing Sheets





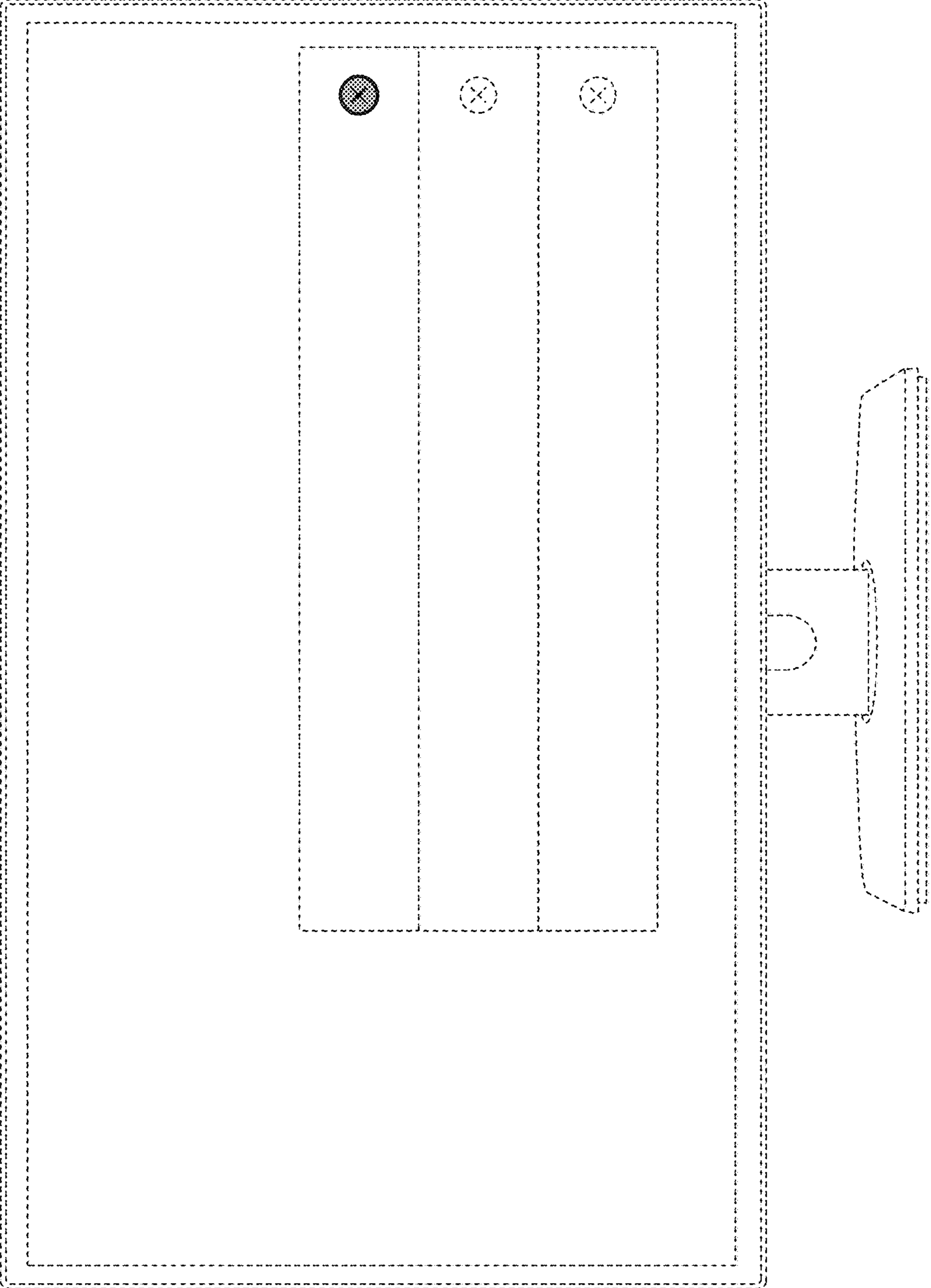


FIG. 3

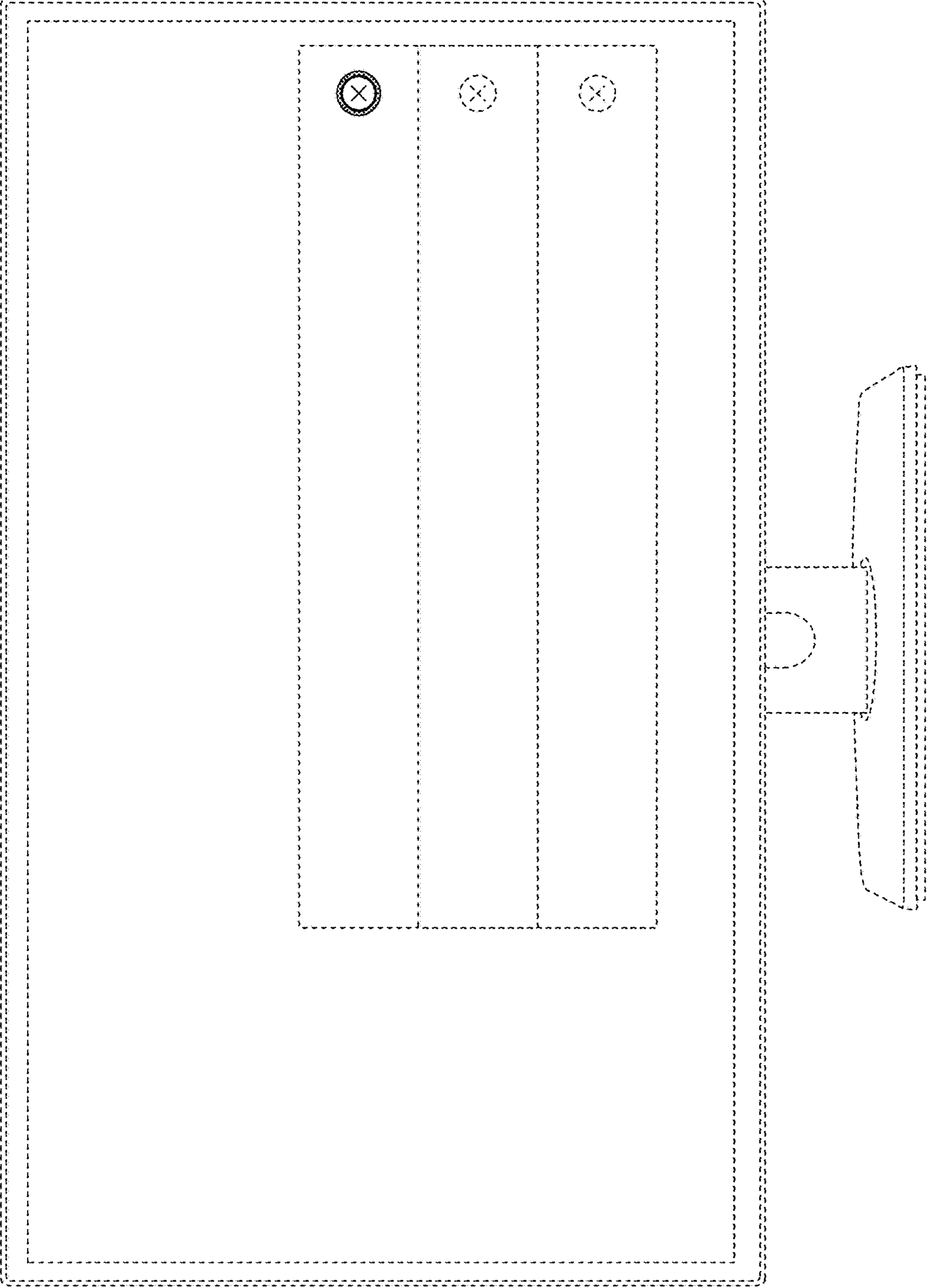
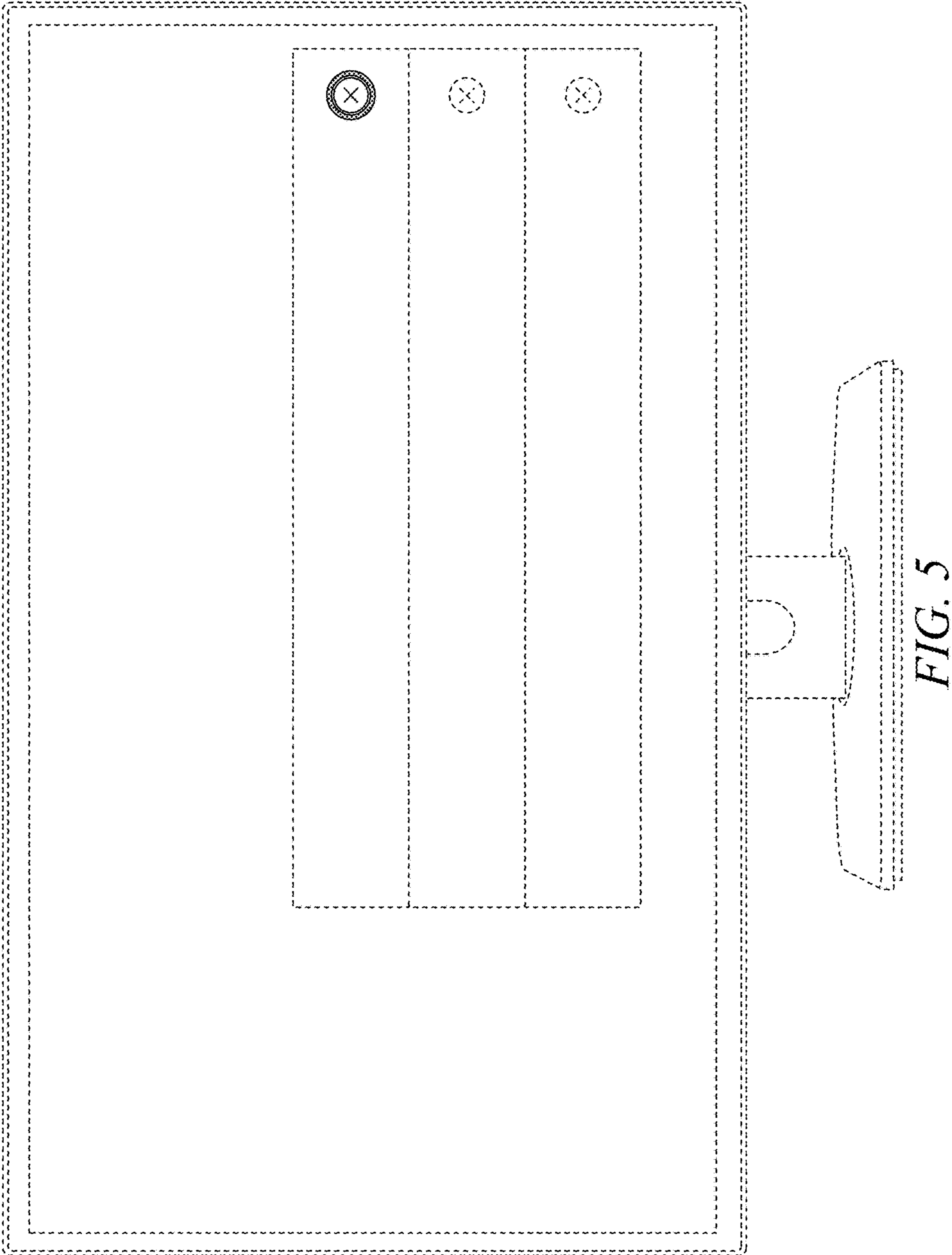


FIG. 4



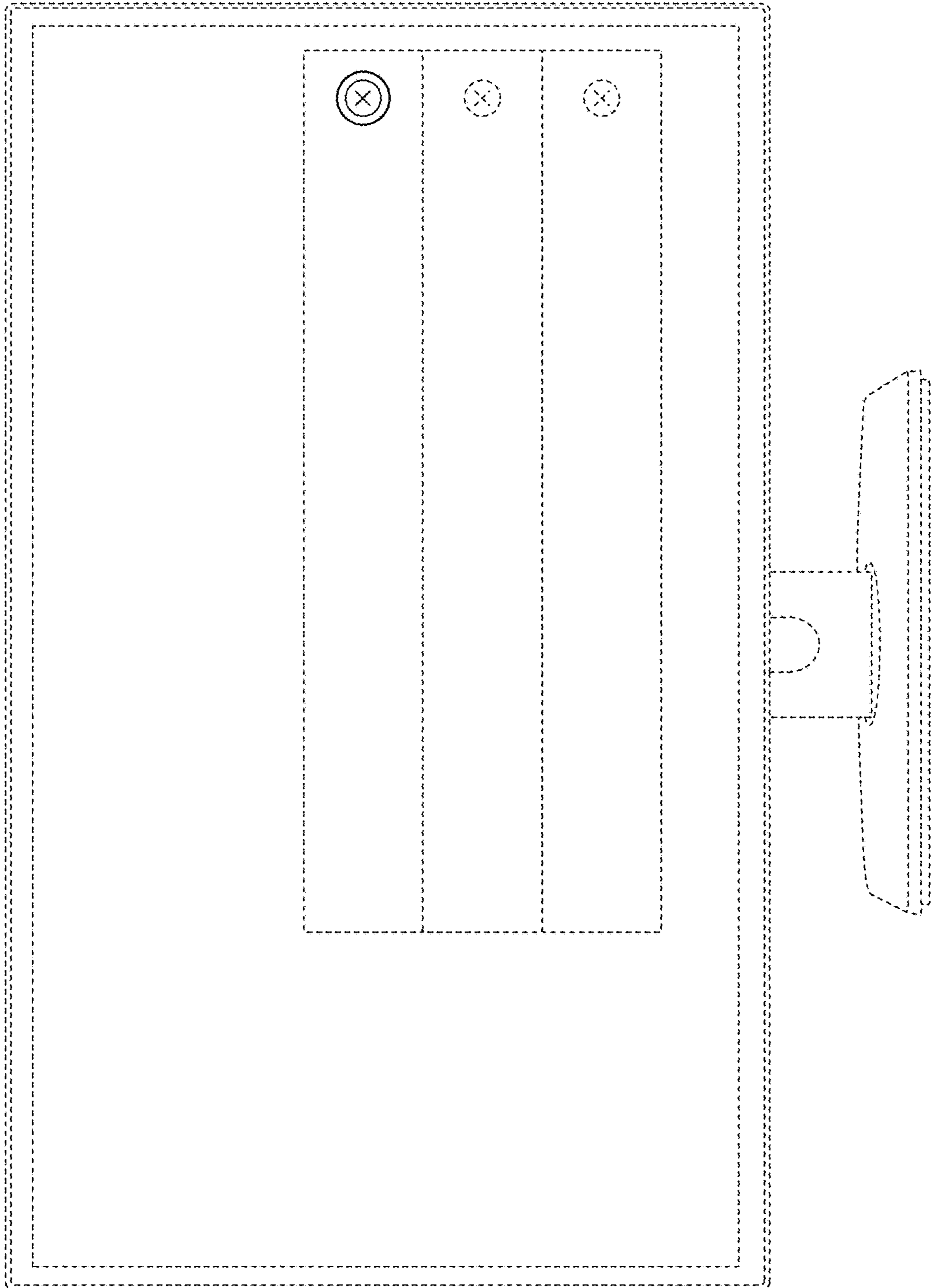


FIG. 6

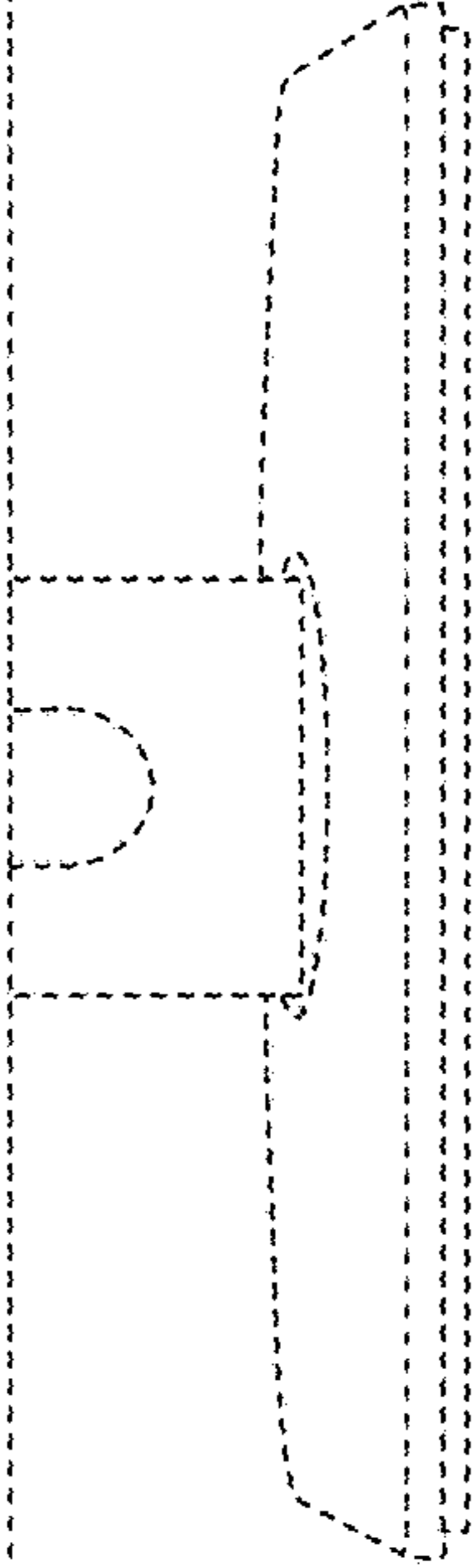
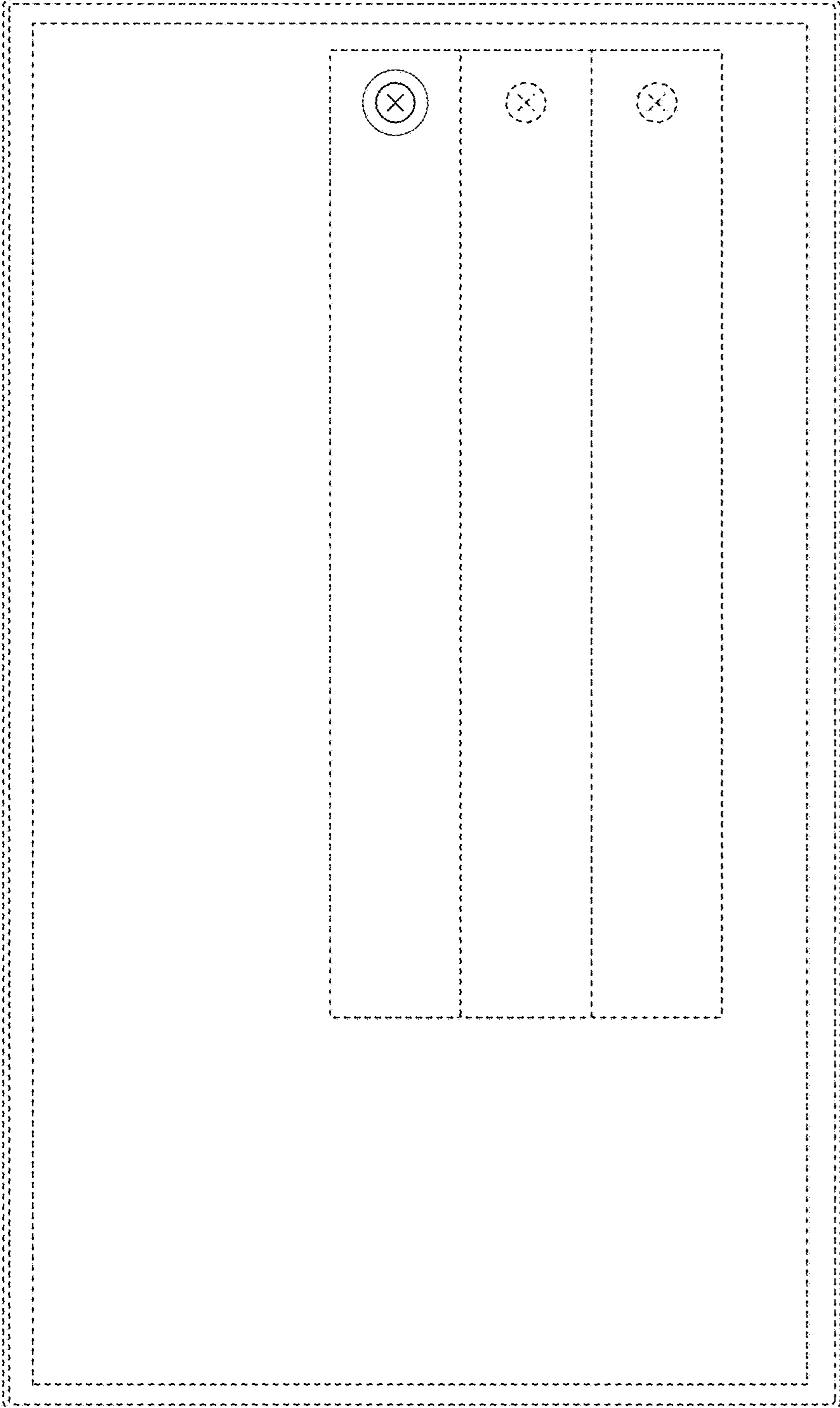


FIG. 7

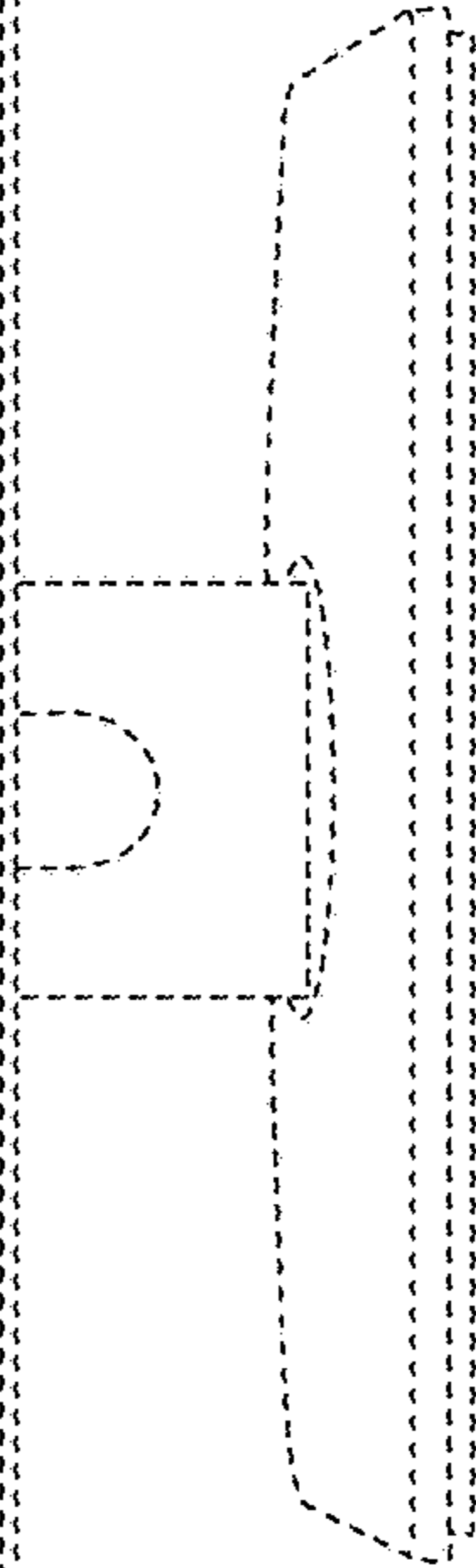
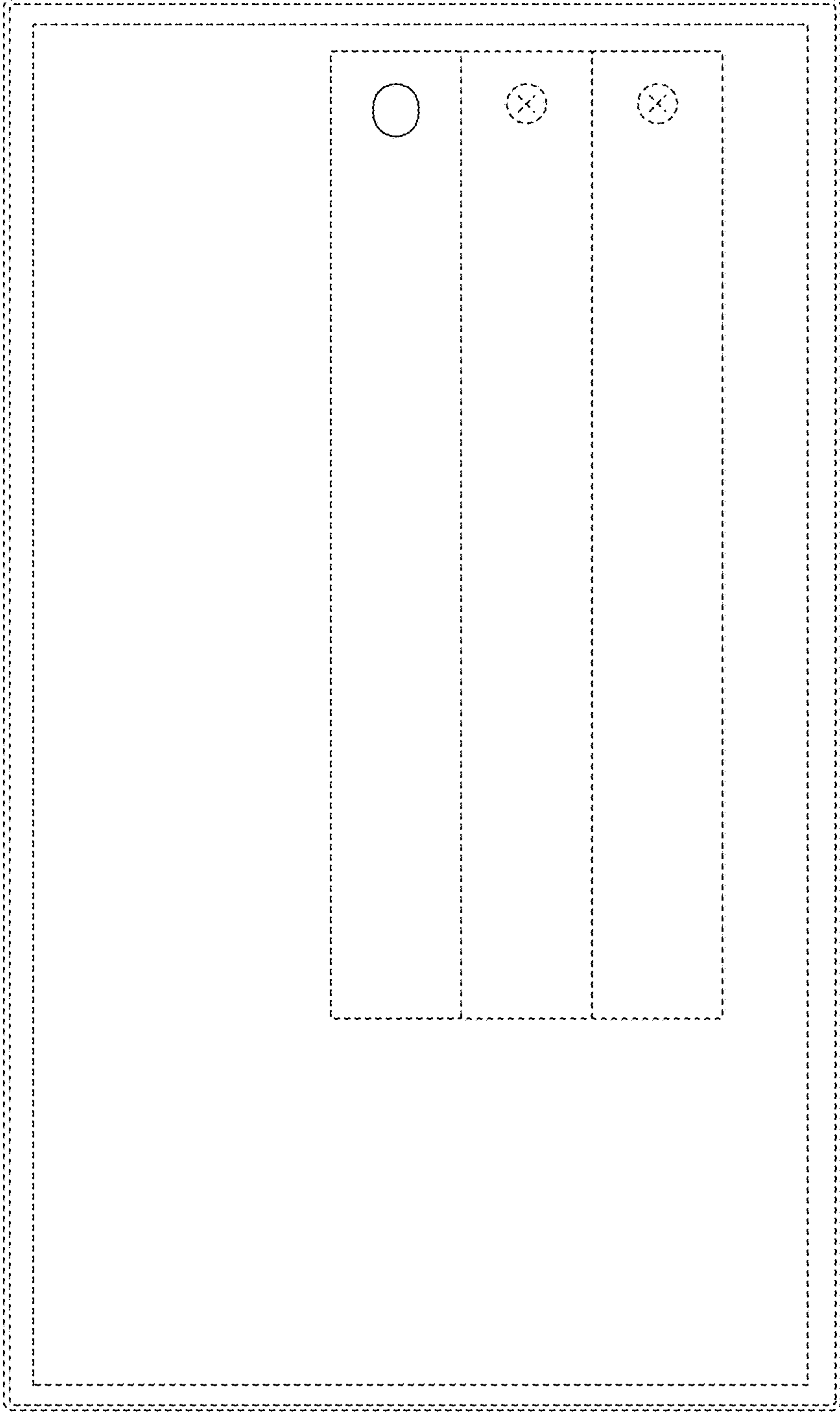
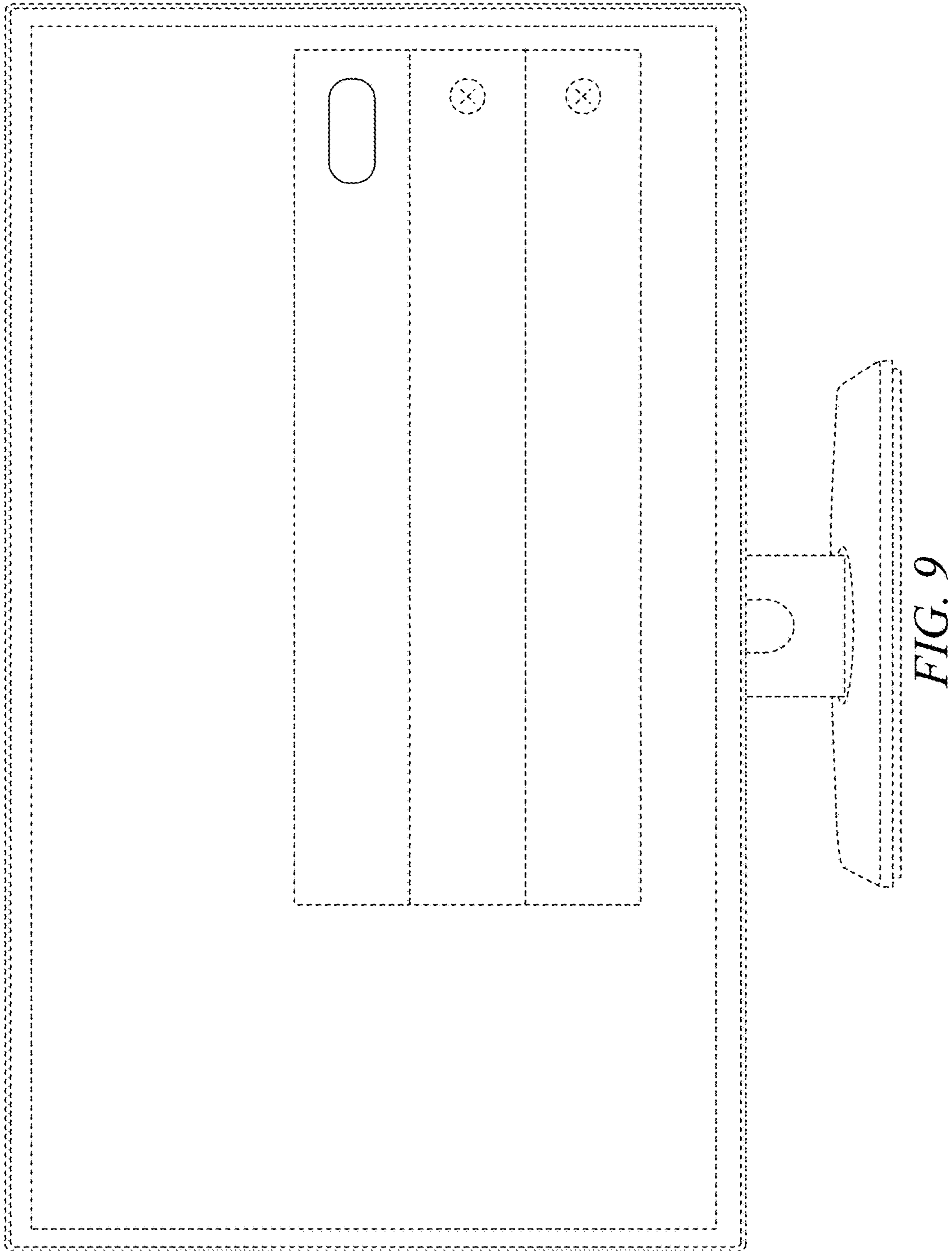


FIG. 8



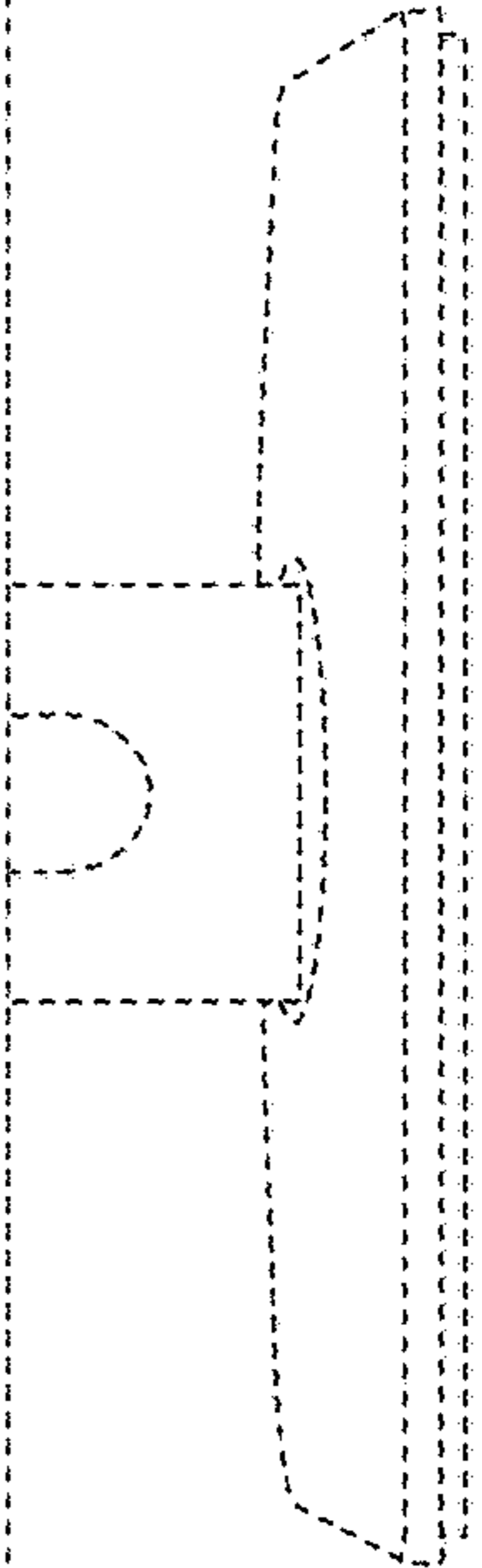
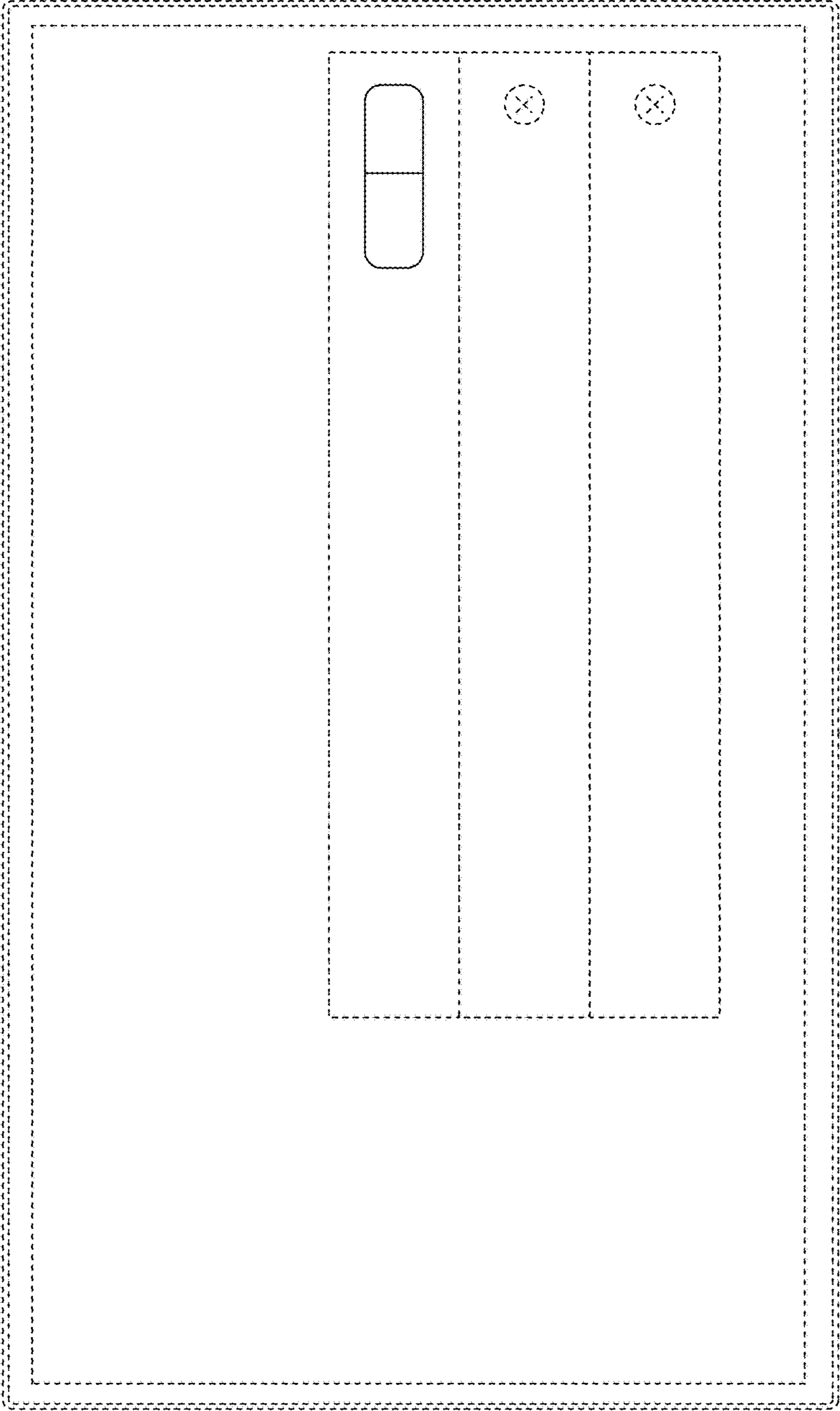


FIG. 10

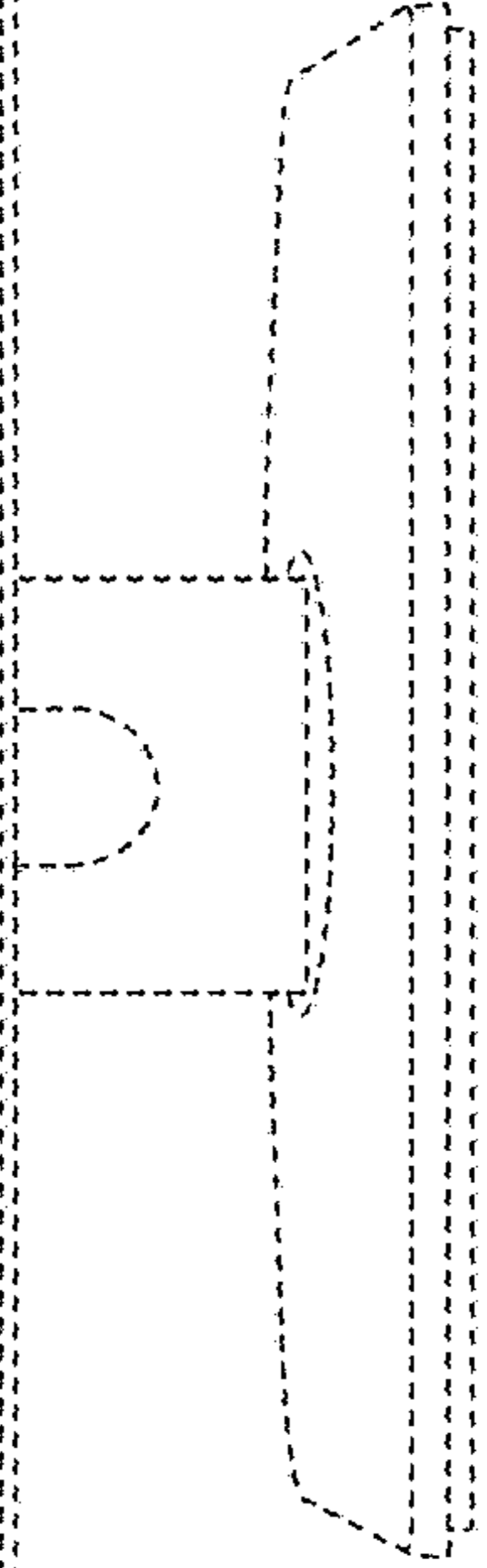
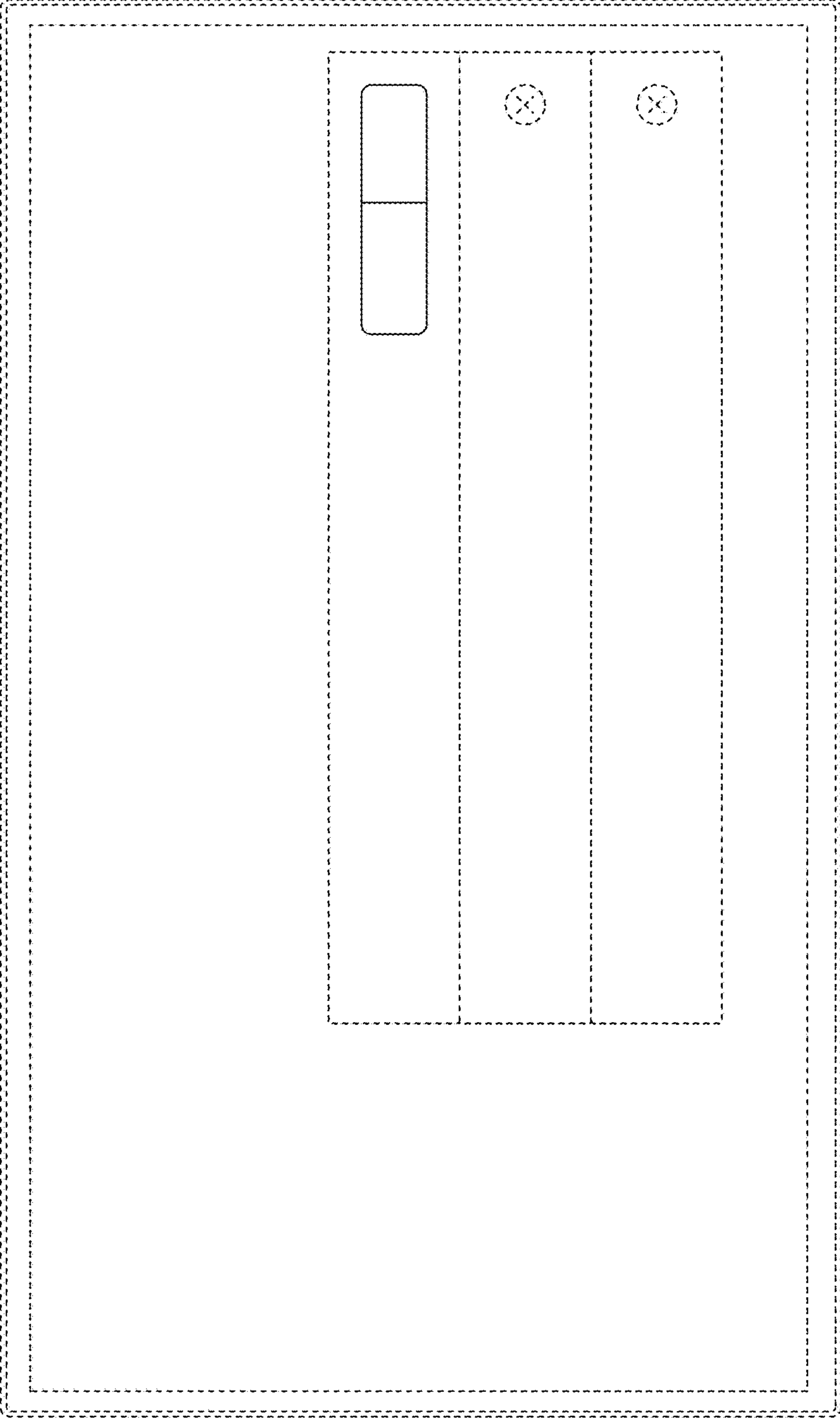


FIG. 11

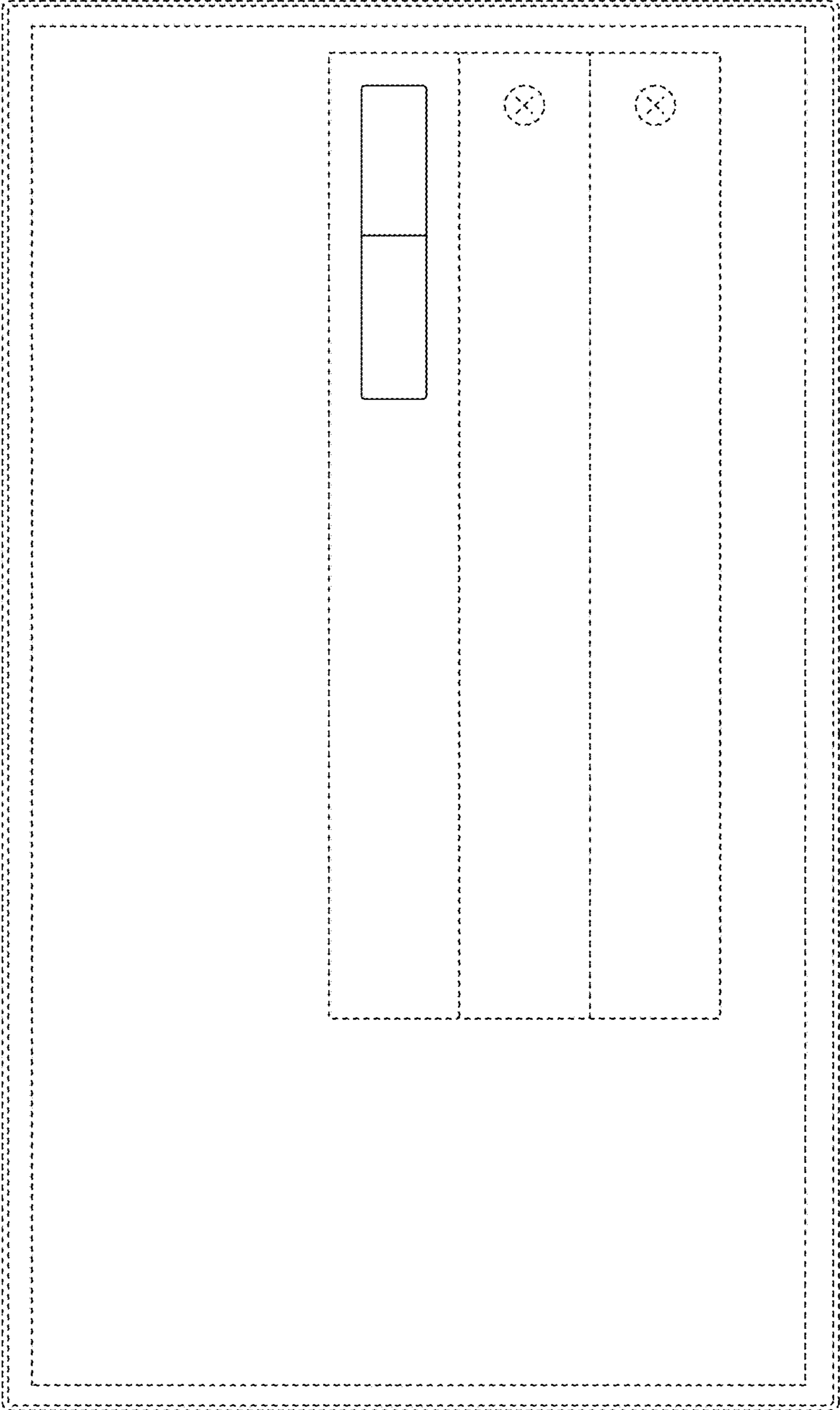
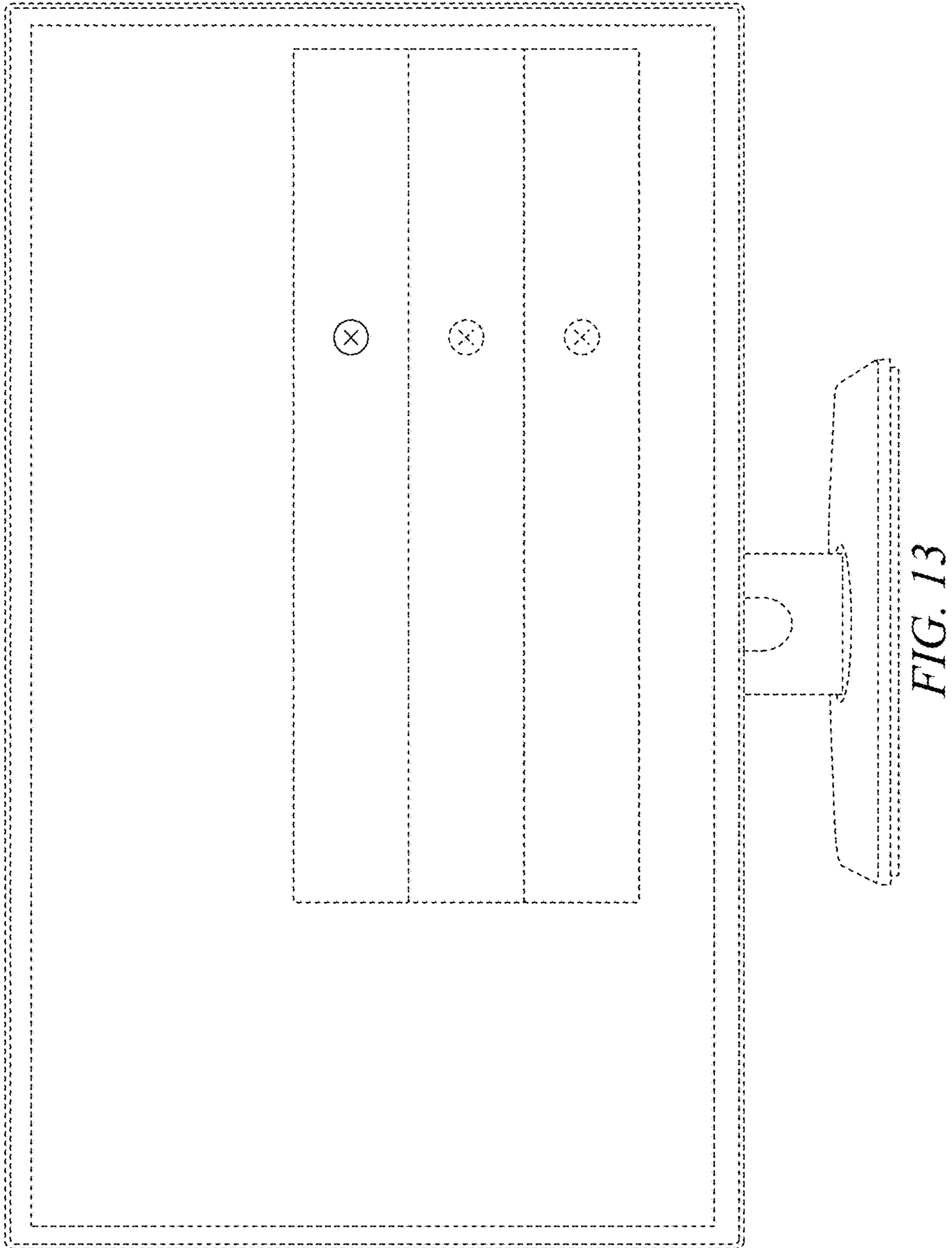
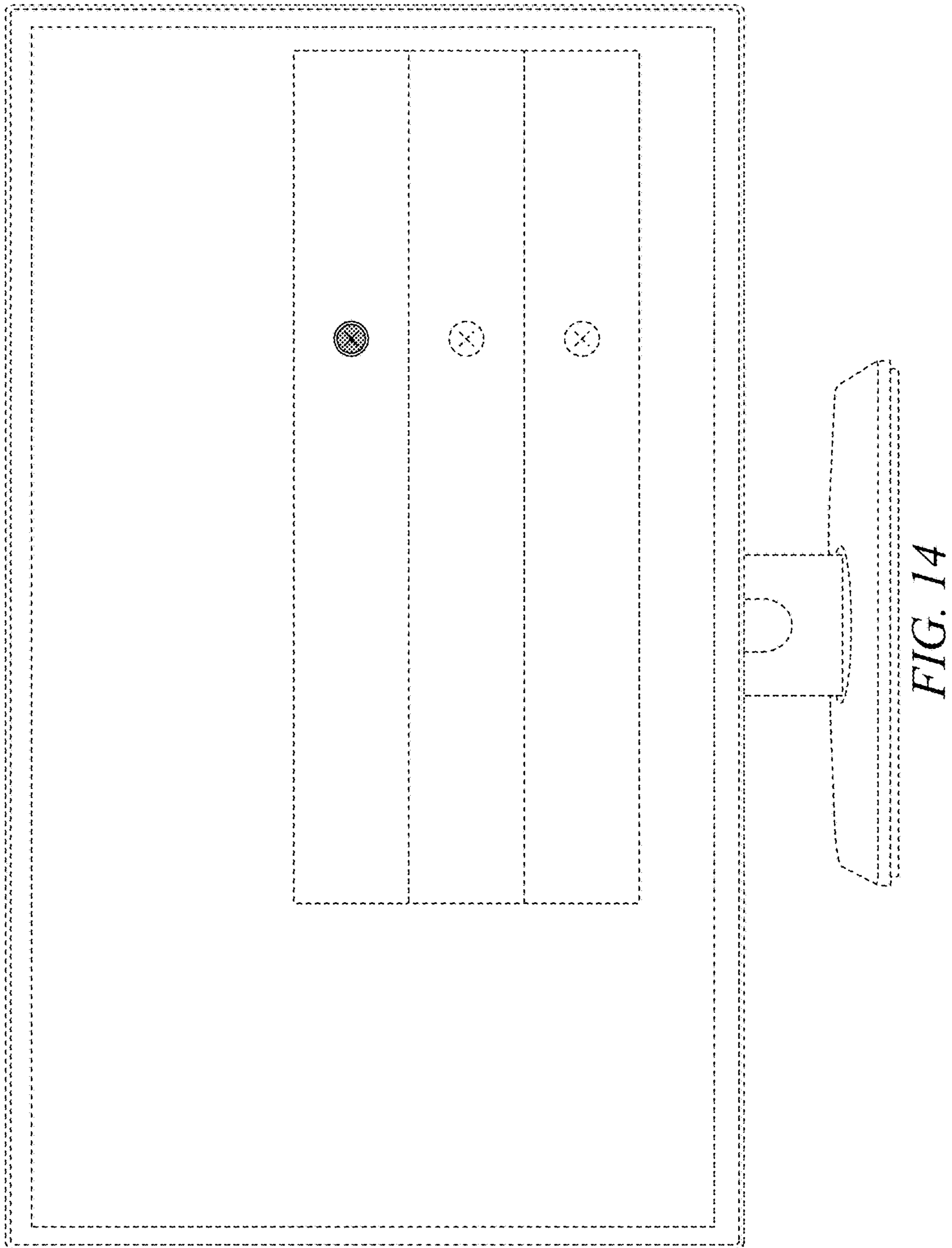


FIG. 12





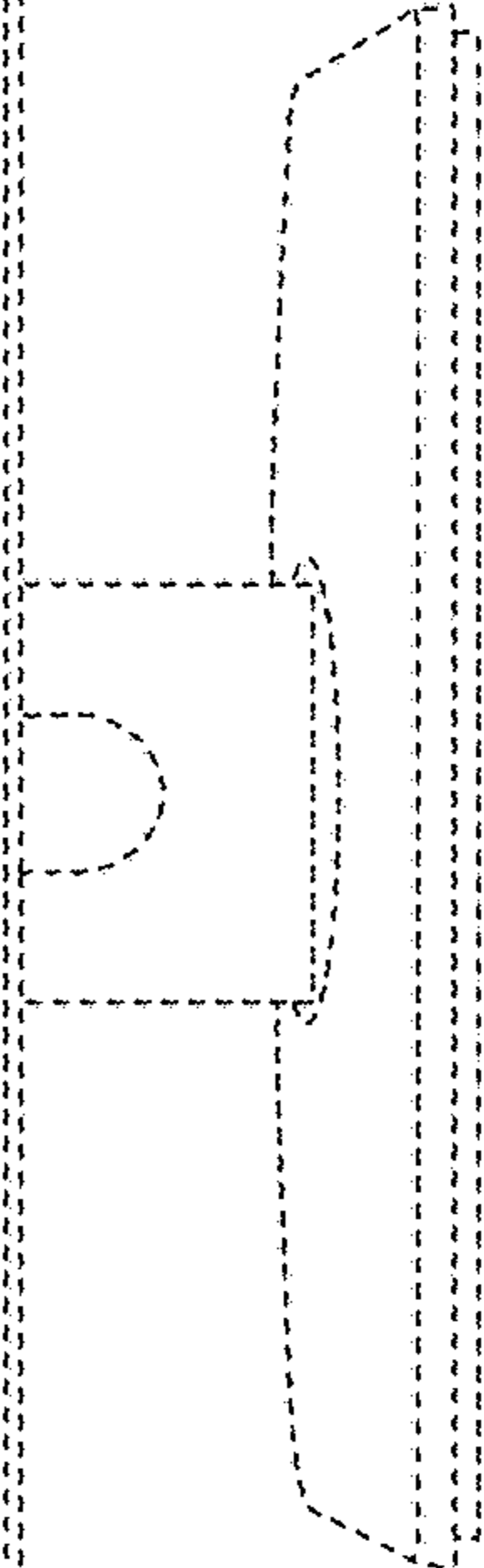
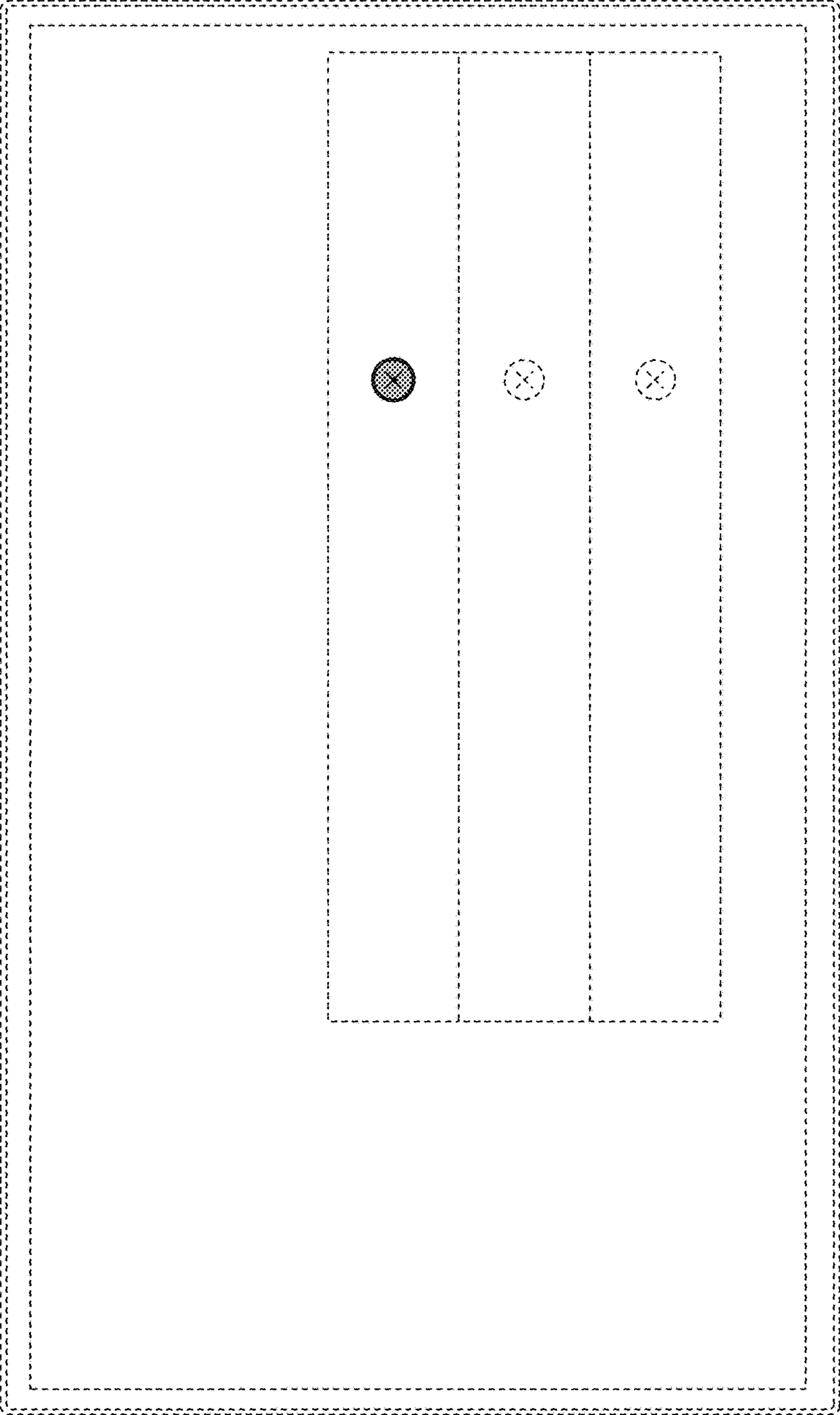
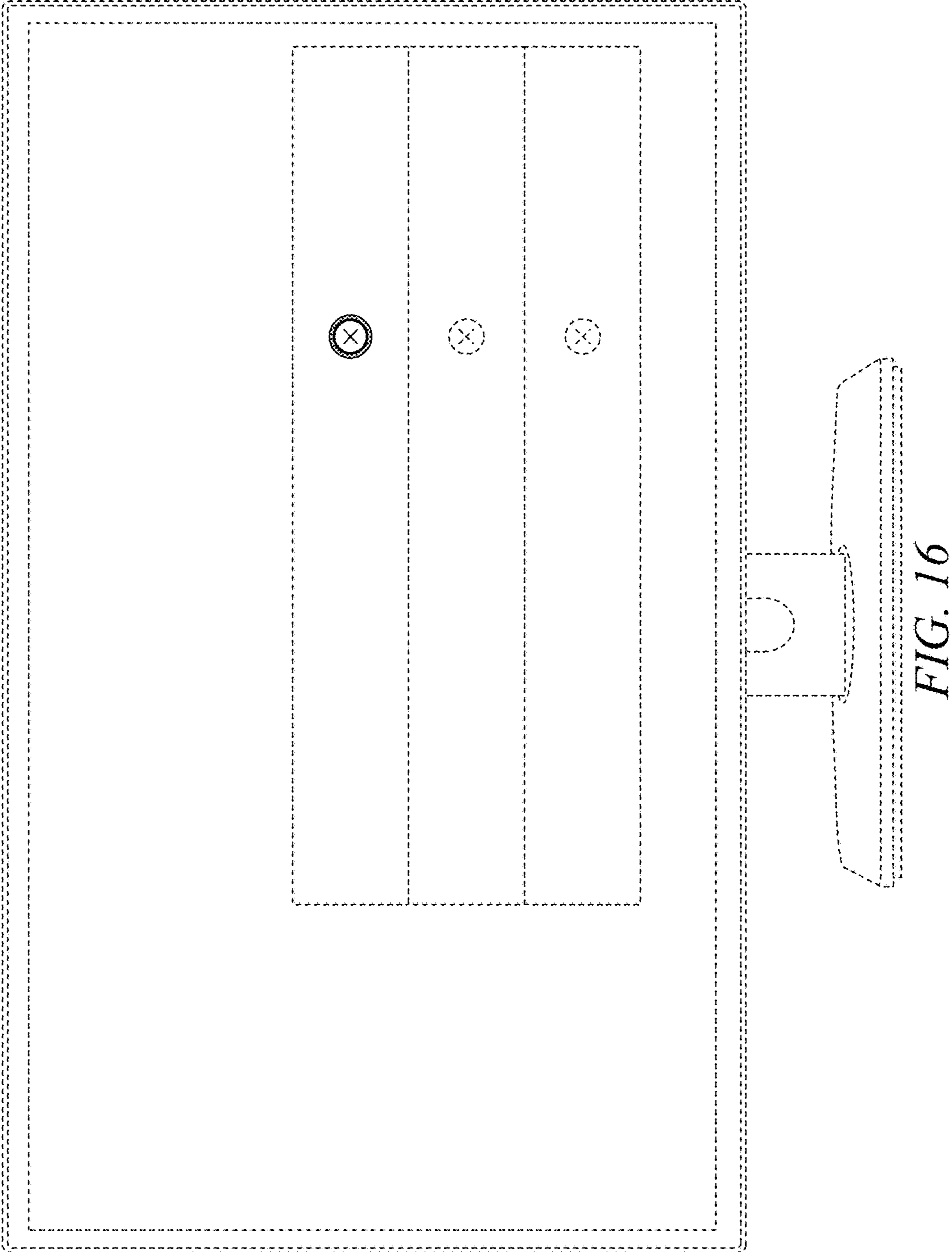


FIG. 15



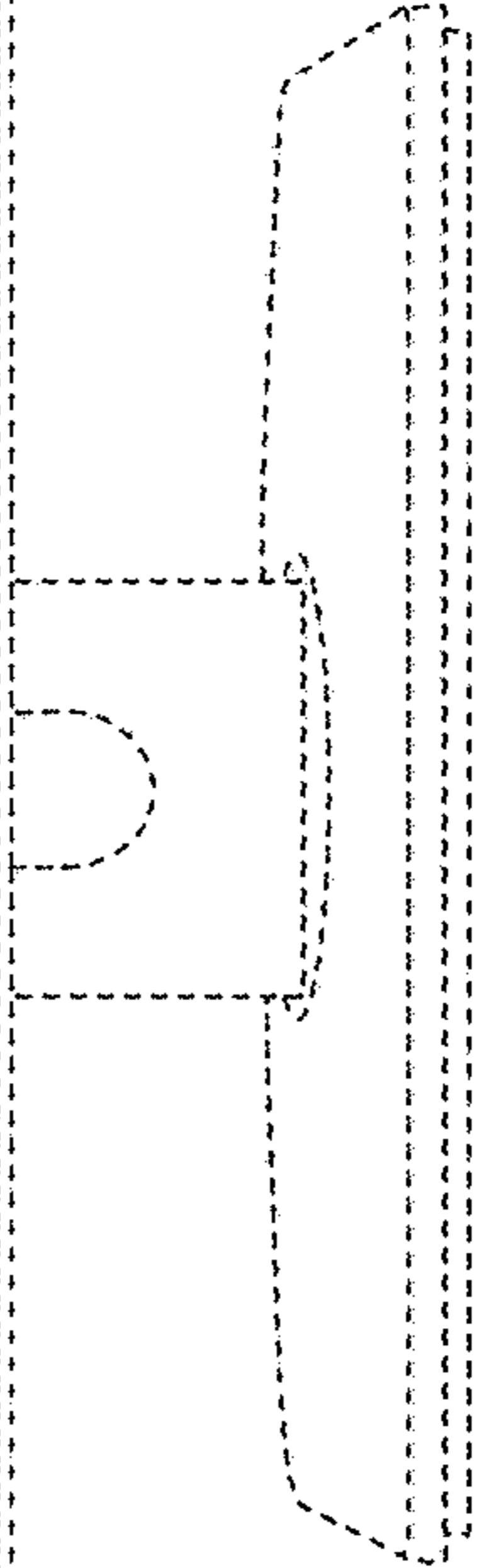
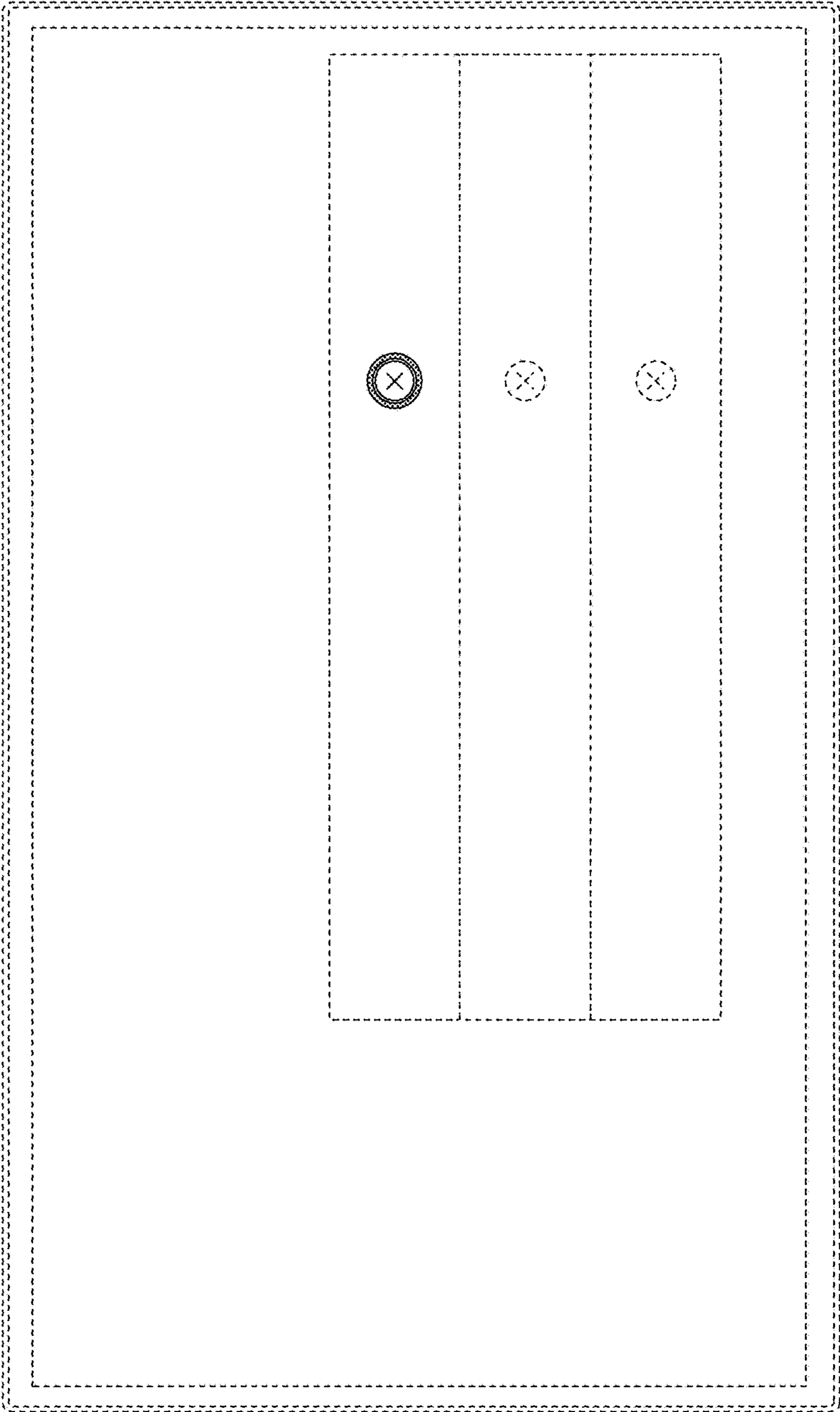
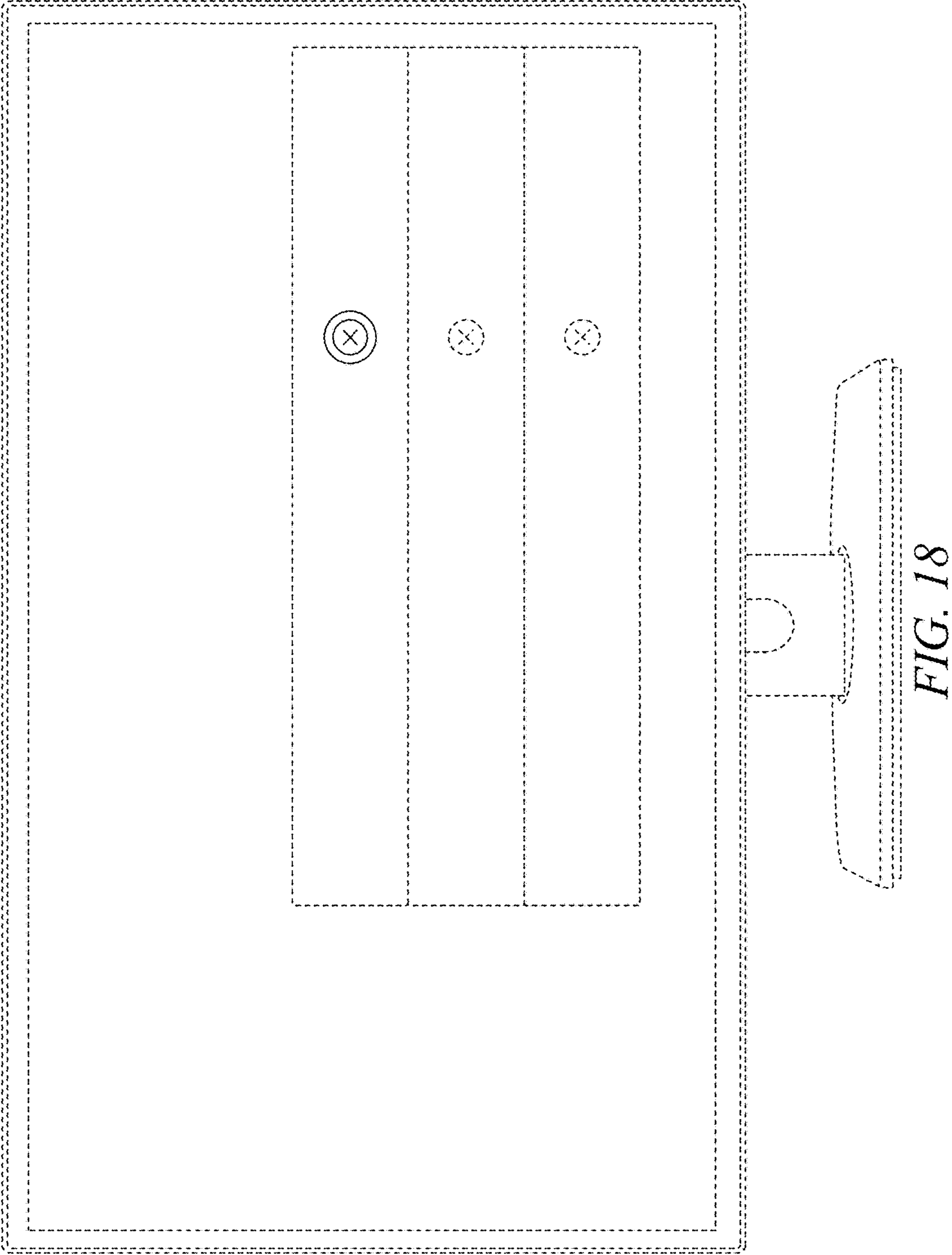
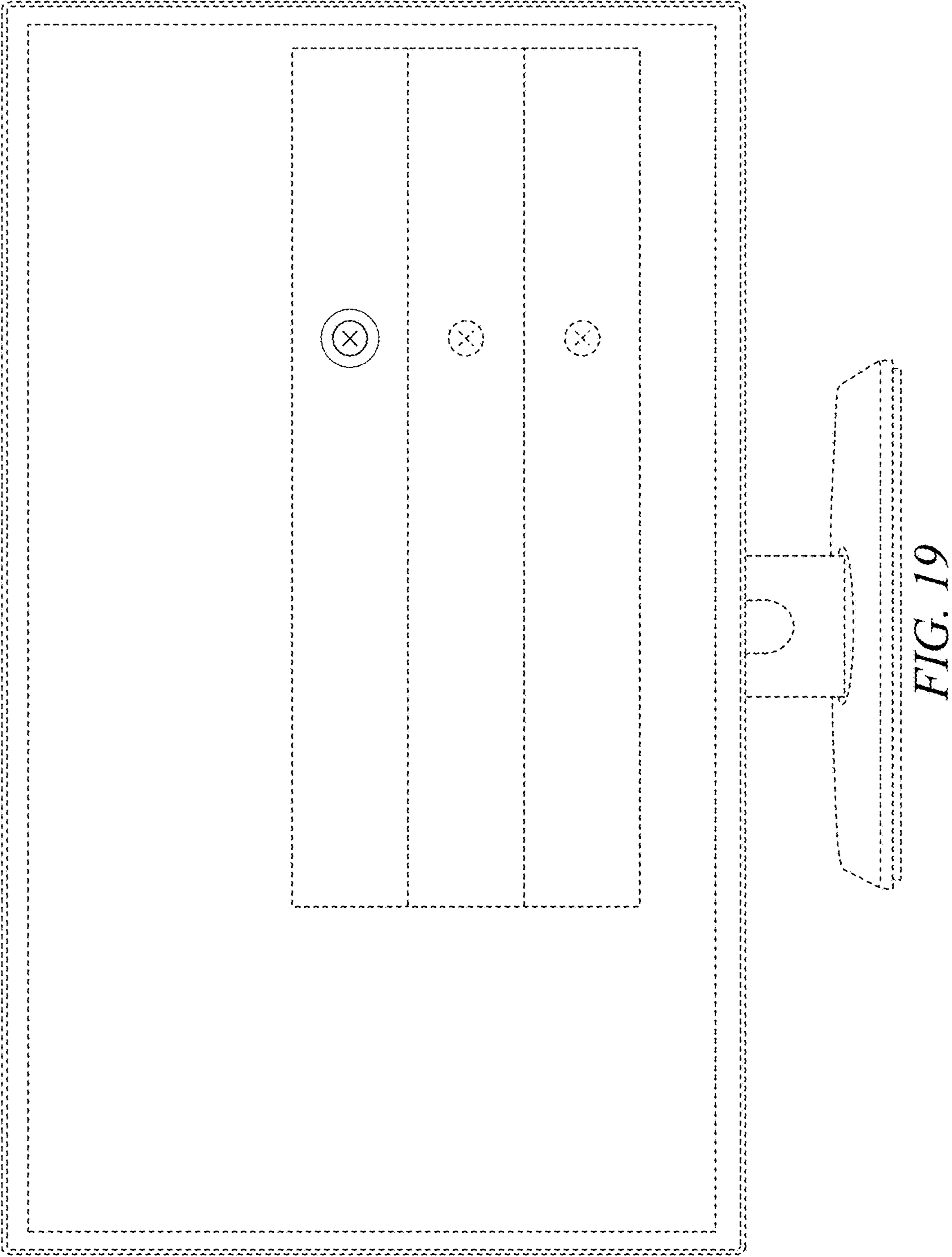
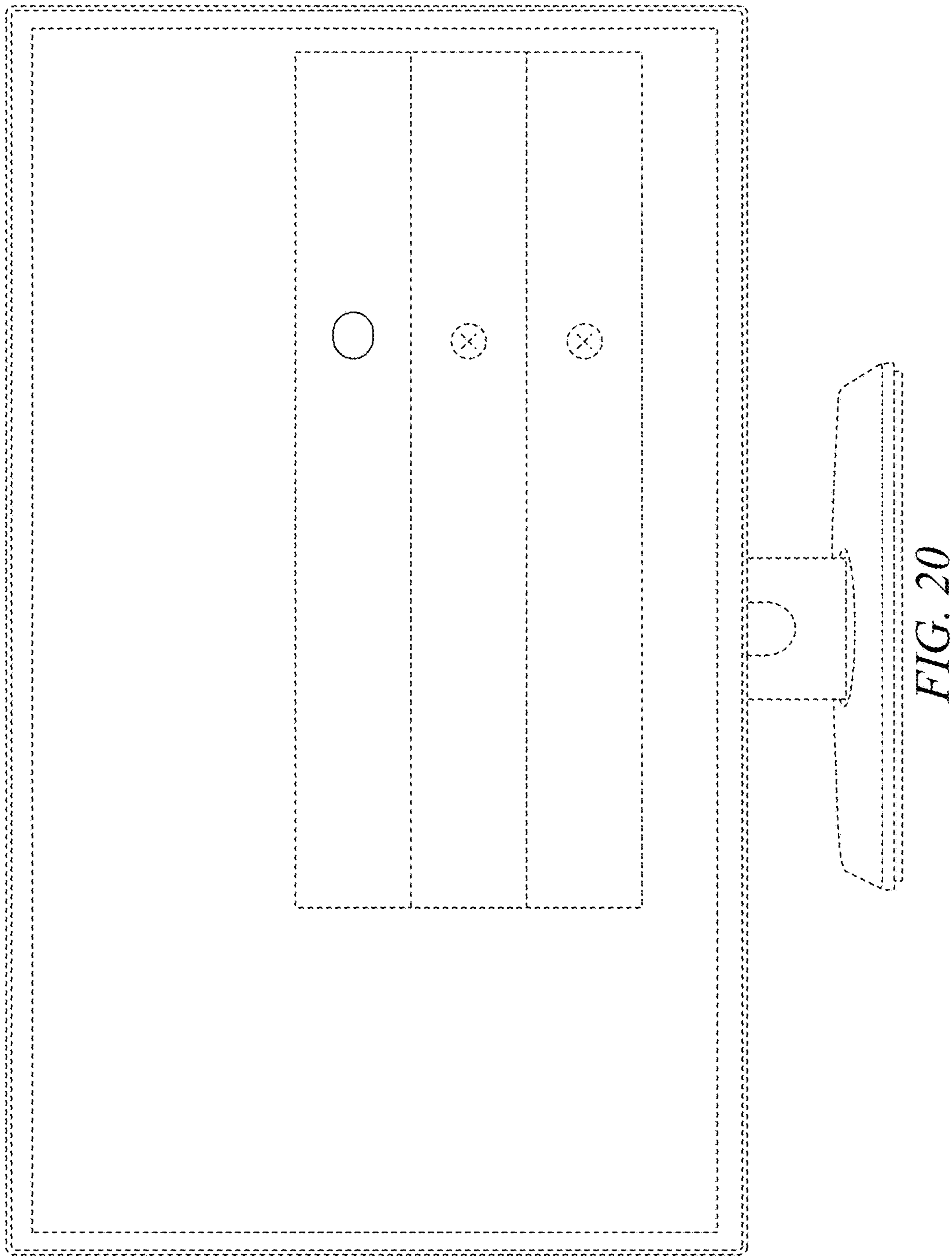


FIG. 17







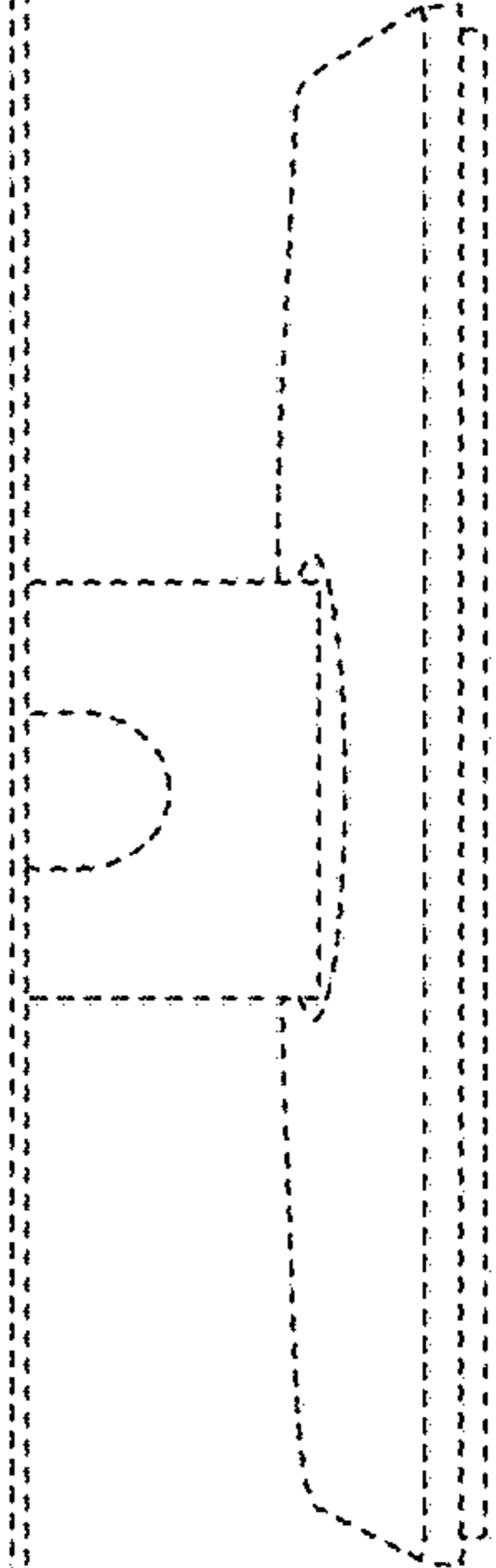
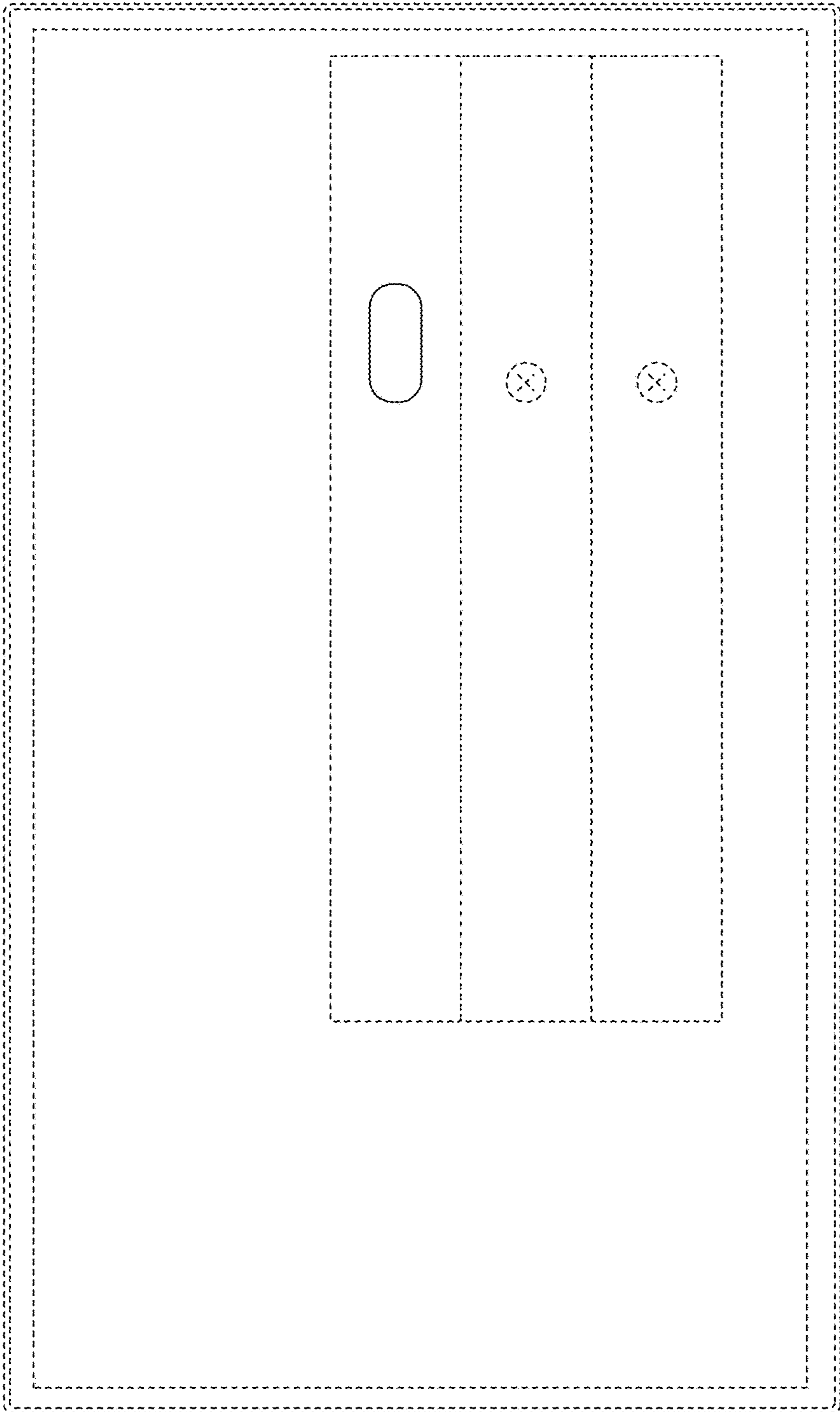
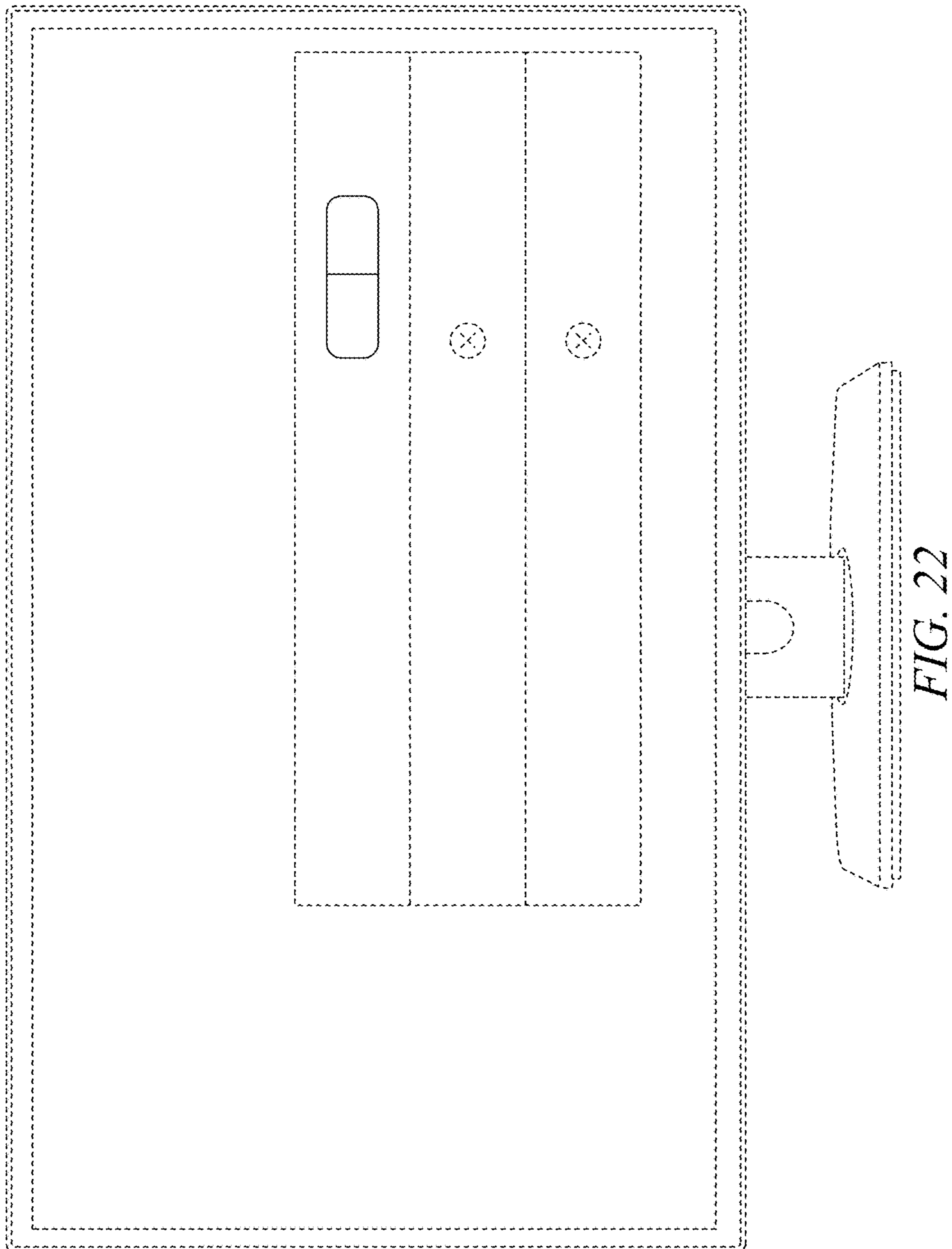
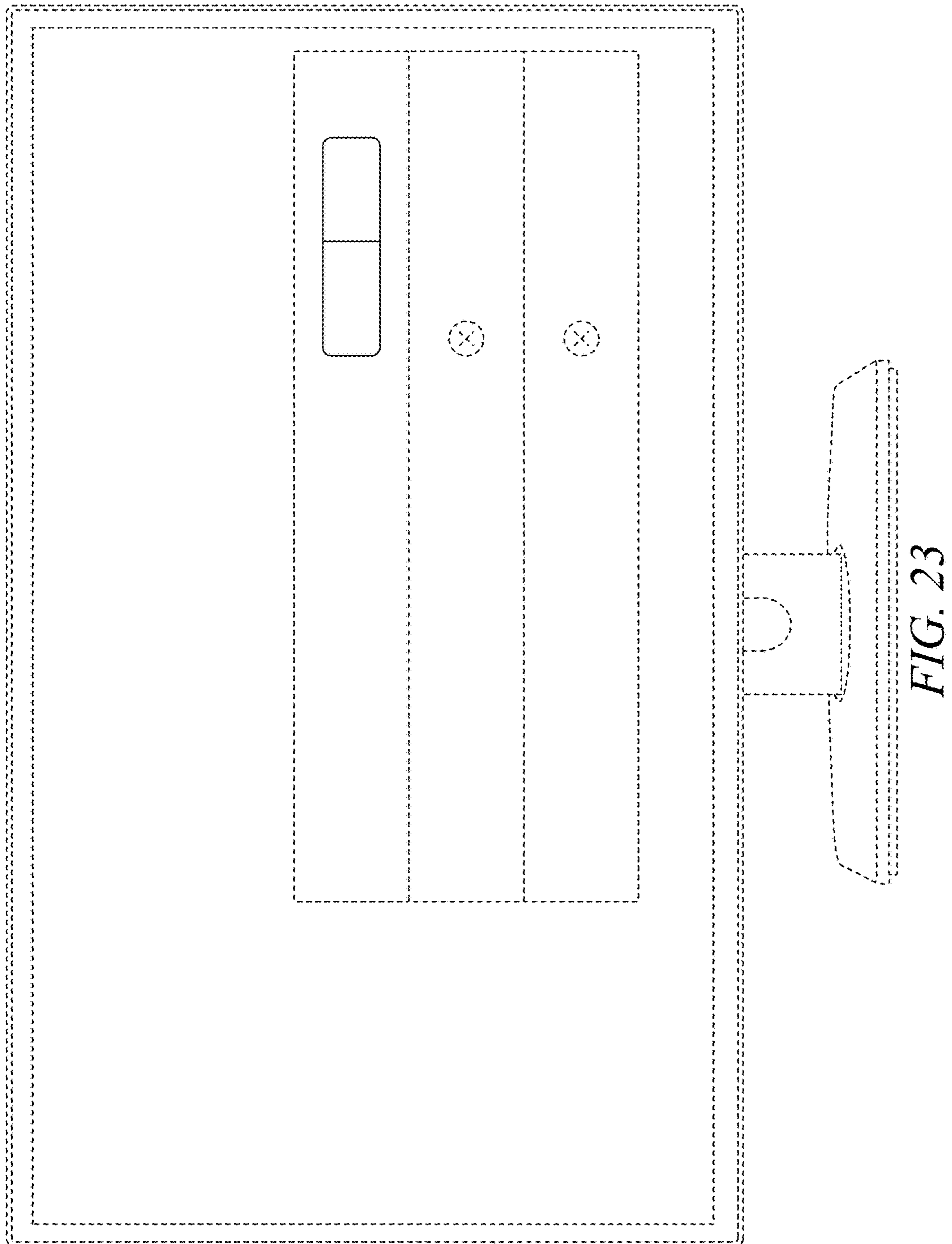


FIG. 21





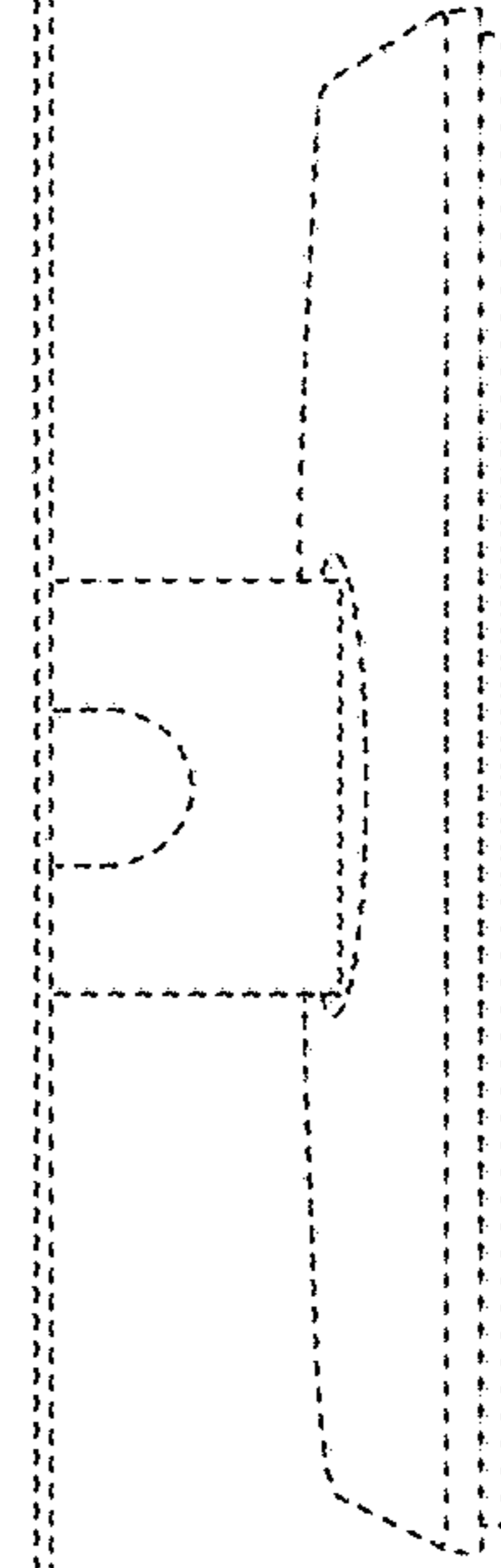
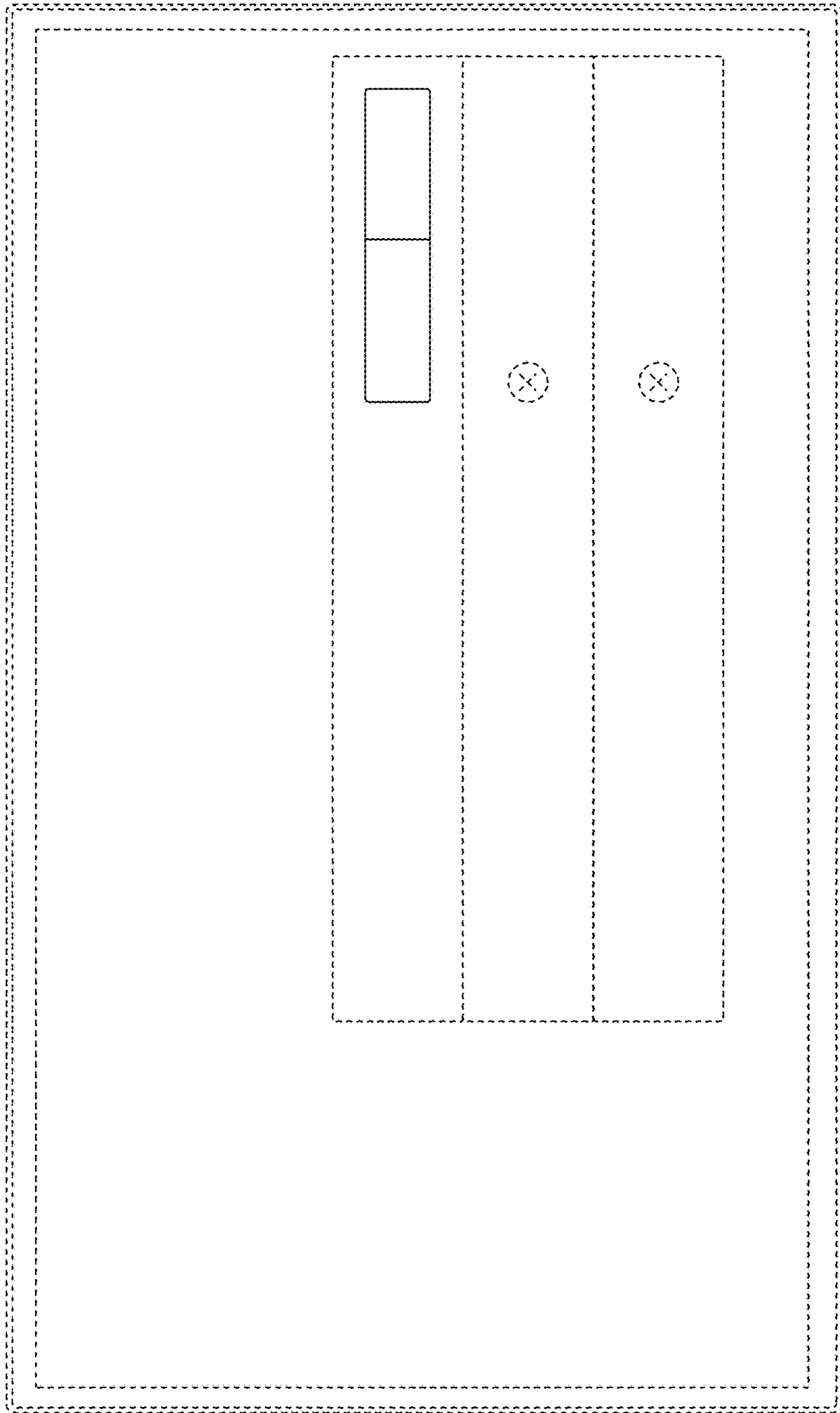


FIG. 24