



US00D835652S

(12) **United States Design Patent** (10) **Patent No.:** **US D835,652 S**
Bacus et al. (45) **Date of Patent:** **** Dec. 11, 2018**

- (54) **DISPLAY SCREEN WITH TRANSITIONAL GRAPHICAL USER INTERFACE OF A BILLIARD GAME**
- (71) Applicant: **Smart Billiard Lighting LLC**, Oak Brook, IL (US)
- (72) Inventors: **James W. Bacus**, Oak Brook, IL (US); **James V. Bacus**, Harbor Springs, MI (US)
- (73) Assignee: **Smart Billiard Lighting LLC**, Oak Brook, IL (US)

(**) Term: **15 Years**

(21) Appl. No.: **29/589,948**

(22) Filed: **Jan. 5, 2017**

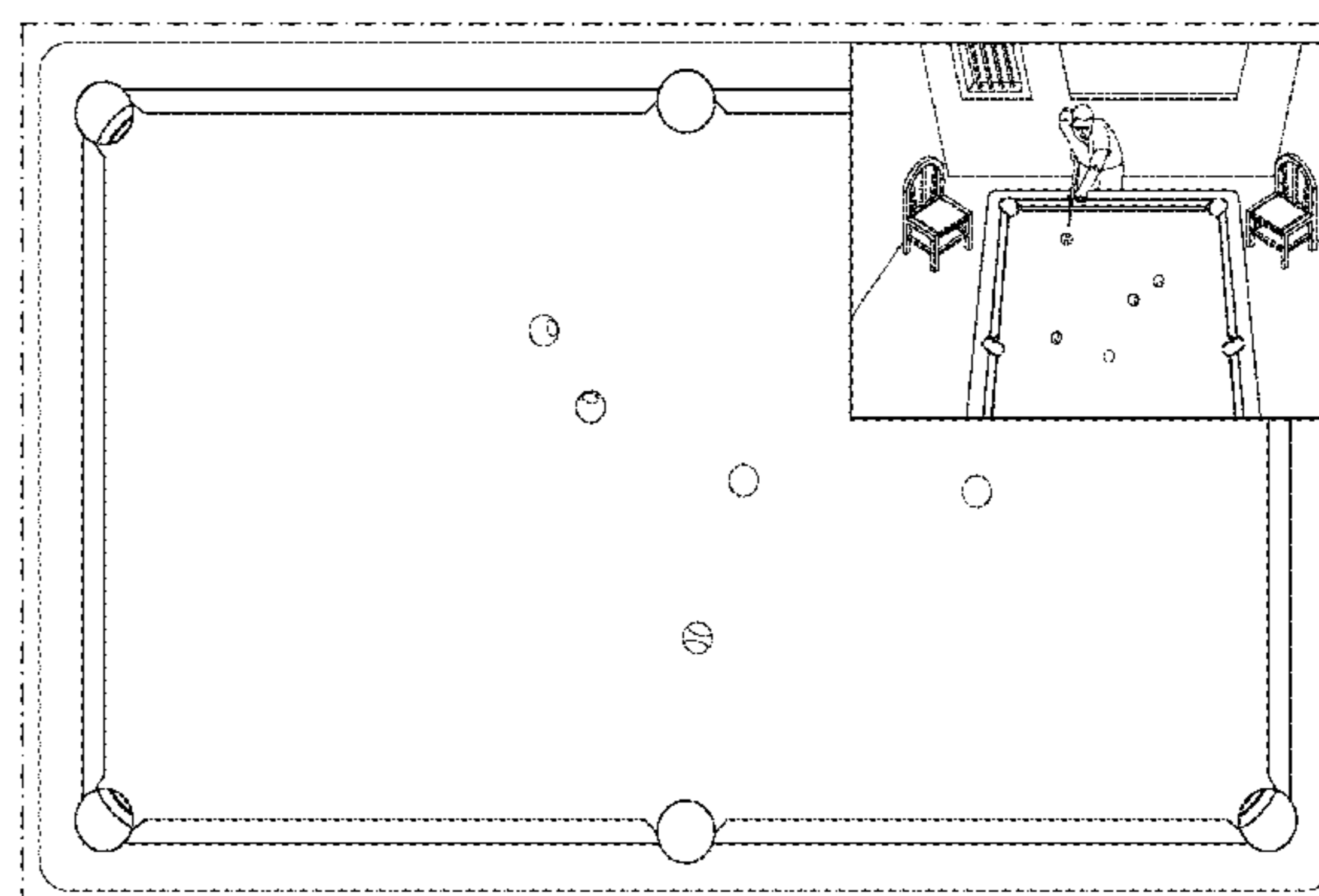
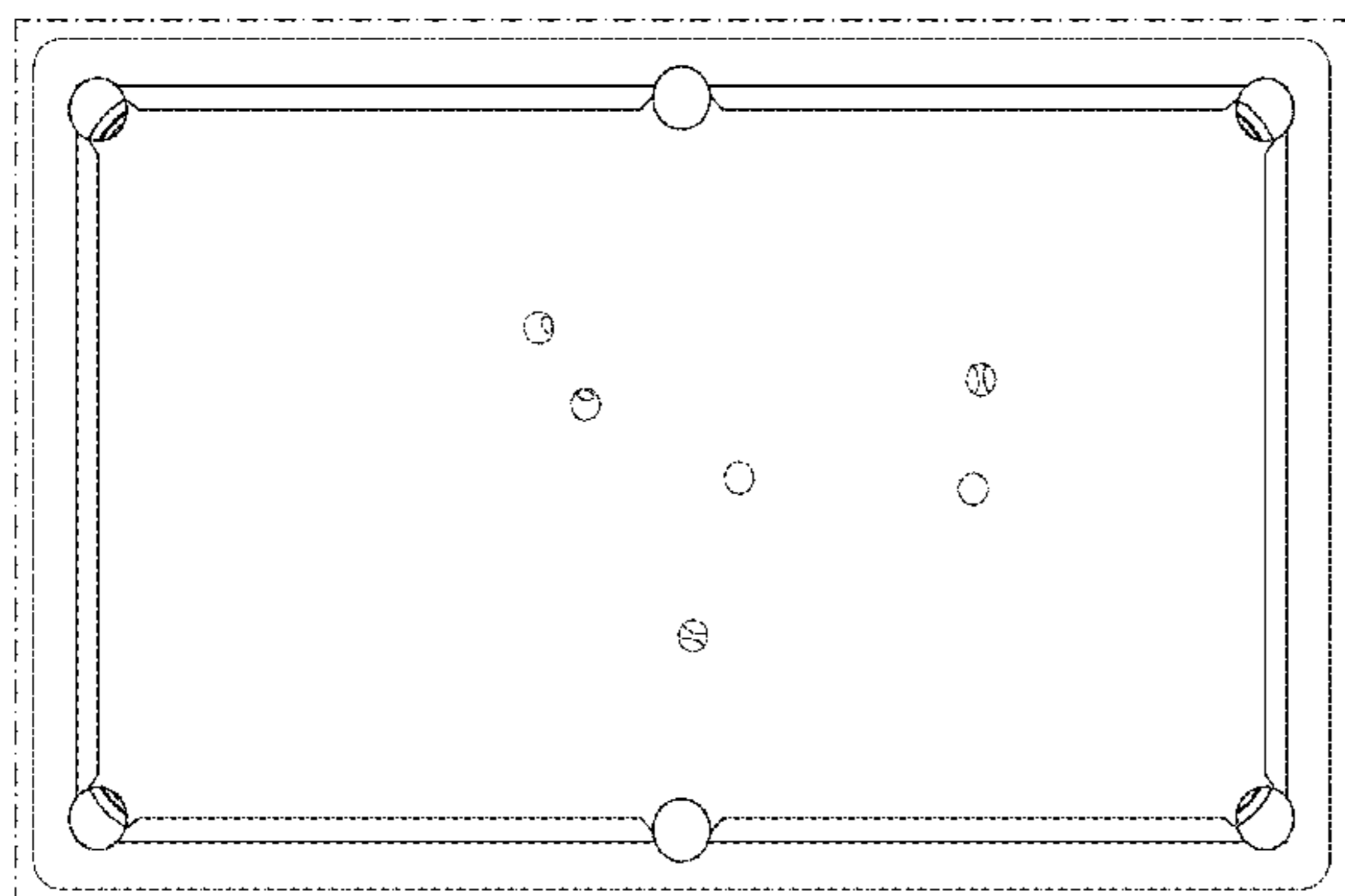
Related U.S. Application Data

- (63) Continuation of application No. 29/548,106, filed on Dec. 10, 2015.
- (51) **LOC (11) Cl.** **14-04**
- (52) **U.S. Cl.**
USPC **D14/486**
- (58) **Field of Classification Search**
USPC D14/485-495; D18/26, 31, 32, 33; D20/11, 12, 23, 24, 25, 29, 30, 31, 32, D20/36, 37, 38
CPC G06F 3/048; G06F 3/0481; G06F 3/0482; G06F 3/04817; G06F 3/04812
See application file for complete search history.

(56) **References Cited**
U.S. PATENT DOCUMENTS

4,882,676	A	11/1989	VanDeKop
5,272,607	A	12/1993	Grimm
D372,591	S	8/1996	Brunner
D396,841	S	8/1998	Taylor
5,803,655	A	9/1998	Furuya
5,947,583	A	9/1999	Castano
D420,354	S	2/2000	Morales
6,244,970	B1	6/2001	Sullivan

6,554,451	B1	4/2003	Keuper	
6,601,976	B1	8/2003	Rhee	
6,626,558	B2	9/2003	Momot	
7,284,870	B2	10/2007	Toyota	
D564,694	S	3/2008	Southern	
7,547,119	B2	6/2009	Kuwana	
7,648,257	B2	1/2010	Villard	
7,922,346	B2	4/2011	Katsuda	
7,936,119	B2	5/2011	Cheng	
7,976,187	B2	7/2011	Villard	
D649,974	S *	12/2011	Liu	D14/485
8,105,174	B1	1/2012	Schofield, Sr.	
D653,800	S	2/2012	Huang	
8,210,723	B2	7/2012	Peck	
8,241,136	B2 *	8/2012	Bennett	A63B 24/0021 463/23
8,253,353	B2	8/2012	Baggen	
8,258,721	B2	9/2012	Meyer	
8,292,733	B2	10/2012	Crawford	
D676,599	S	2/2013	Davidson	
D689,062	S *	9/2013	Ikeda	D14/485
D689,504	S *	9/2013	Ikeda	D14/485
8,616,971	B2	12/2013	Lundback	
8,810,687	B2	8/2014	Ishii	
D751,236	S	3/2016	Renshaw	
9,308,435	B1 *	4/2016	Rohrmeister	A63D 15/00
9,485,399	B2	11/2016	Bacus	
D776,328	S	1/2017	Bacus	
9,827,483	B2	11/2017	Bacus	
2002/0186702	A1	12/2002	Ramos	
2003/0081410	A1	5/2003	Bailey	
2004/0132535	A1	7/2004	Sumko	
2004/0254024	A1 *	12/2004	Thomas	A63D 15/006 473/2
2005/0207622	A1	9/2005	Haupt	
2005/0233790	A1 *	10/2005	Itskov	A63F 13/005 463/2
2006/0063599	A1	3/2006	Greenspan	
2007/0026956	A1 *	2/2007	Pearson	A63D 15/20 473/1
2008/0111310	A1	5/2008	Parvanta	
2009/0116210	A1	5/2009	Cutler	
2010/0062859	A1	3/2010	Rice	
2010/0225236	A1	9/2010	Luberek	
2010/0277911	A1	11/2010	Peifer	
2011/0021256	A1	1/2011	Lundback	
2011/0021257	A1	1/2011	Lundback	
2011/0053688	A1 *	3/2011	Crawford	A63D 5/04 463/31
2011/0070960	A1	3/2011	Greenspan	
2011/0255276	A1	10/2011	Coward	
2011/0294585	A1 *	12/2011	Penna	G07F 17/38 473/1



2012/0033426	A1	2/2012	Wendt	
2012/0134155	A1	5/2012	Wendt	
2012/0182733	A1	7/2012	Cho	
2012/0188757	A1	7/2012	Villard	
2012/0285060	A1	11/2012	Gross	
2013/0002166	A1	1/2013	Meyer	
2013/0033859	A1	2/2013	Yaphe	
2013/0039050	A1	2/2013	Dau	
2013/0039061	A1	2/2013	Sato	
2014/0043801	A1	2/2014	Kawabata	
2014/0064693	A1	3/2014	Deshpande	
2014/0308999	A1*	10/2014	Aizenberg A63F 13/812 463/3
2016/0037139	A1	2/2016	Bacus	

FOREIGN PATENT DOCUMENTS

CN	201282530	7/2009
CN	101848376	9/2010
CN	101628174	4/2011
CN	201815088	5/2011
CN	202270324	6/2012
CN	102327697	4/2013
CN	103170126	6/2013
CN	103182177	7/2013
CN	103285578	9/2015
DE	4039315	4/1996
EP	0435910	7/1991
ES	2333839	3/2010
FR	2804879	8/2001
GB	190808509	2/1909
GB	191107344	1/1912
GB	611673	11/1948
GB	2479902	11/2011
JP	2002186702	7/2002
JP	2006043017	2/2006
JP	2009273542	11/2009
JP	2010046446	3/2010
KR	20090013980	2/2009
KR	20090074127	7/2009
KR	20100015258	2/2010
KR	20110075967	7/2011
KR	20110085735	7/2011
KR	20110112683	10/2011
KR	101145126	5/2012
KR	20120069233	6/2012
KR	20120113578	10/2012
KR	20130057102	5/2013
KR	20130087247	8/2013
KR	101329889	11/2013
WO	9005005	5/1990
WO	2009126982	1/2009
WO	2016019288	2/2016

OTHER PUBLICATIONS

Internet Forum; <http://forums.azbilliards.com/showthread.php?t=257876>; 2011; 8 pages.

J. Baekdahl et al.; "Detection and Identification of Pool Balls Using Computer Vision"; Vision, Graphics and Interactive Systems; Aalborg University; May 28, 2011; 63 pages.

Larsen, L. et al.; "The Automated Pool Trainer-a Multi Modal System for Learning the Game of Pool"; Center for PersonKommunikation; Aalborg University, Aalborg, Denmark; 2001, 6 pages.

Local classifieds, Canada; Kijiji; website <http://www.kijiji.ca/v-toys-games/calgary/incredible-led-pool-table-lights/564191018?enableSearchNavigationFlag=true>; 1 page, first accessed May 2014.

Marr, H.; "Hacking on Side Projects: the Pool Ball Tracker"; GoCardLess Blog; web page <https://gocardless.com/blog/hacking-on-side-projects-the-pool-ball-tracker/>; Oct. 29, 2012; 5 pages.

Notification of Transmittal of the International Search Report for PCT/US2015/043198 dated Oct. 29, 2015; 6 pages.

Printout from board: RPI for Billiards Trajectory Tracking Blog 2013, 4 pages.

Saito, H.; "Vision-Based 3D Tracking for Entertainment Systems via Visual Media"; Keio University; UARC Core1-3 Project Summary Booklet; 4 pages, available as early as Dec. 2013.

Screenshots from video available at www.youtube.com, illustrating table with LED lights in the table's perimeter; 2011.

Shih, C., et al.; "A Vision Based Billiard Ball Tracking Platform, Motion Analysis Strategy and Their Integration for a Reliable Billiard Training System"; Journal of Information Science and Engineering; 22 pages, available as early as Dec. 2013.

Tang, T., et al.; "An Auto-Scoring Billiards System"; Proceedings of the Eighth International Conference on Machine Learning and Cybernetics, Baoding, Jul. 12-15, 2009. 5 pages.

Uchiyama, H., et al.; AR Supporting System for Pool Games Using a Camera-Mounted Handheld Display; Hindawi Publishing Corporation, Advances in Human-Computer Interaction; vol. 2008, Article ID 357270; 14 pages.

Written Opinion of the International Searching Authority for PCT/US2015/043198 dated Oct. 29, 2015.

Written Opinion of the International Searching Authority for PCT/US2015/043198 dated Feb. 16, 2017; 11 pages.

Reference DE Design Publication No. 49903981 (p. 4913); dated Aug. 25, 1999; Notebook 16, pp. 4483-5002; pp. N 111-N 120; ISSN 0934-7062; 12th year.

Verlag, Willa, Wilhelm Lampl GmbH Business Informations-Service; Advertisement for Trademark Compendium Book Order Form; Munich, Germany.

Maltani Corp.; Design & Green First; "Square K" product, Jun. 21, 2010; copyright 2010 Green First Maltani Lighting; Seoul, Korea.

Extended European Search report for EP patent application No. 17156538.5 completed Jun. 13, 2017; 2 pages.

Opinion on European Search report for EP patent application No. 17156538.5 completed Jun. 13, 2017; 6 pages.

Communication Partial Search Report and Opinion for PCT/US2015/043198 dated Feb. 9, 2018; 15 pages.

* cited by examiner

Primary Examiner — Darlington Ly
(74) Attorney, Agent, or Firm — Fitch, Even, Tabin & Flannery LLP

(57) CLAIM

The ornamental design for a display screen with transitional graphical user interface of a billiard game, as shown and described.

DESCRIPTION

FIG. 1 is a front view of the first image of a display screen with transitional graphical user interface of a billiard game play showing our new design in accordance to a first embodiment;

FIG. 2 is a front view of the second image thereof following the image shown in FIG. 1;

FIG. 3 is a front view of the third image thereof following the image shown in FIG. 2;

FIG. 4 is a front view of the second image thereof following the image shown in FIG. 1 in accordance to a second embodiment;

FIG. 5 is a front view of the third image thereof following the image shown in FIG. 4 in accordance to a second embodiment;

FIG. 6 is a front view of the second image thereof following the image shown in FIG. 1 in accordance to a third embodiment;

FIG. 7 is a front view of the third image thereof following the image shown in FIG. 6 in accordance to a third embodiment;

FIG. 8 is a front view of the second image thereof following the image shown in FIG. 1 in accordance to a fourth embodiment; and,

FIG. 9 is a front view of the third image thereof following the image shown in FIG. 8 in accordance to a fourth embodiment.

The dash-dot broken line showing a display screen and even broken line showing portions of the graphical user interface of a billiard game do not form part of the claimed design. The appearance of the transitional image sequentially transitions between the images shown in FIGS. 1-3 in the first embodiment, FIGS. 4-6 in the second embodiment, and FIGS. 7-9 in the third embodiment. The process or period in which one image transitions to another image forms no part of the claimed design.

1 Claim, 9 Drawing Sheets

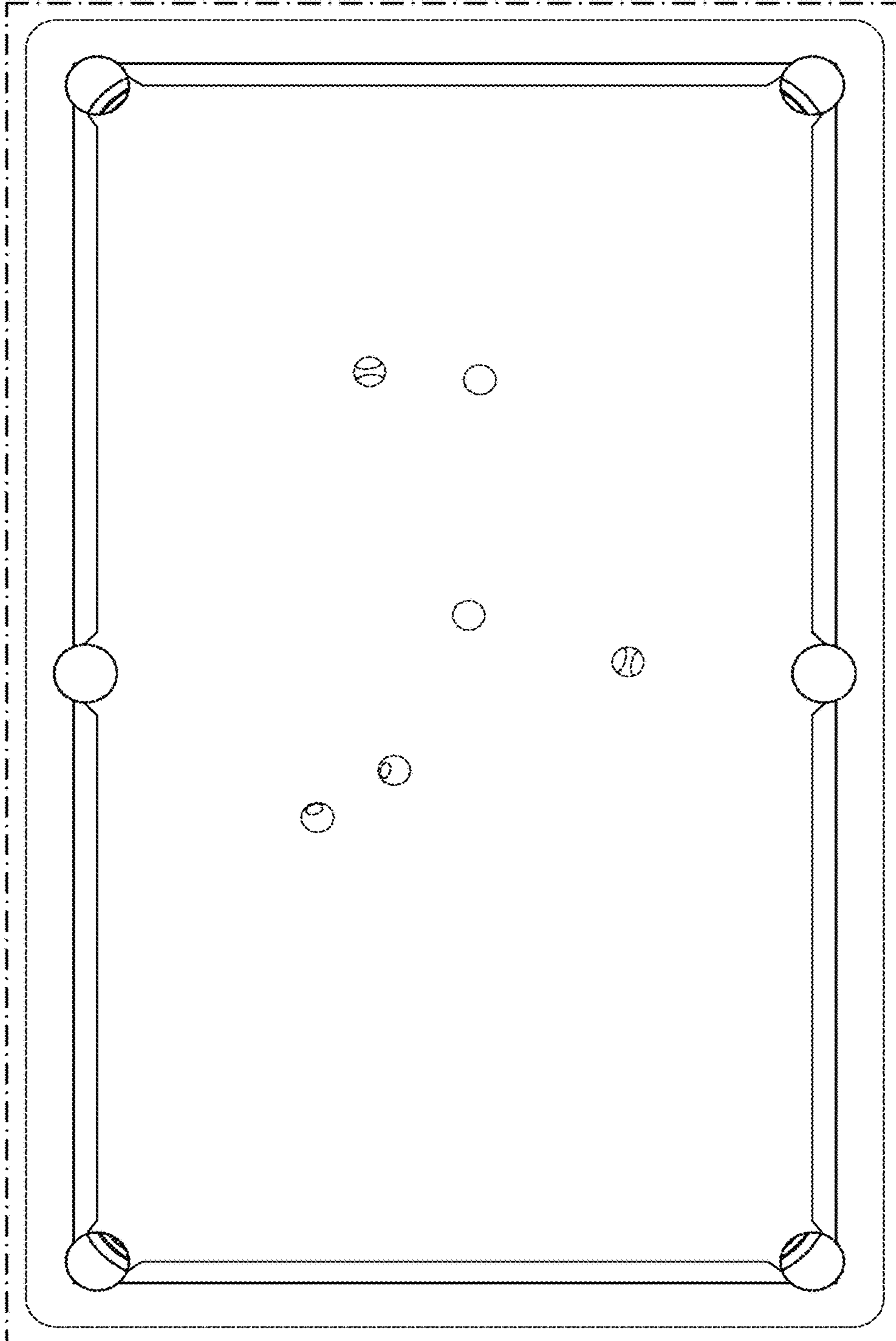


FIG. 1

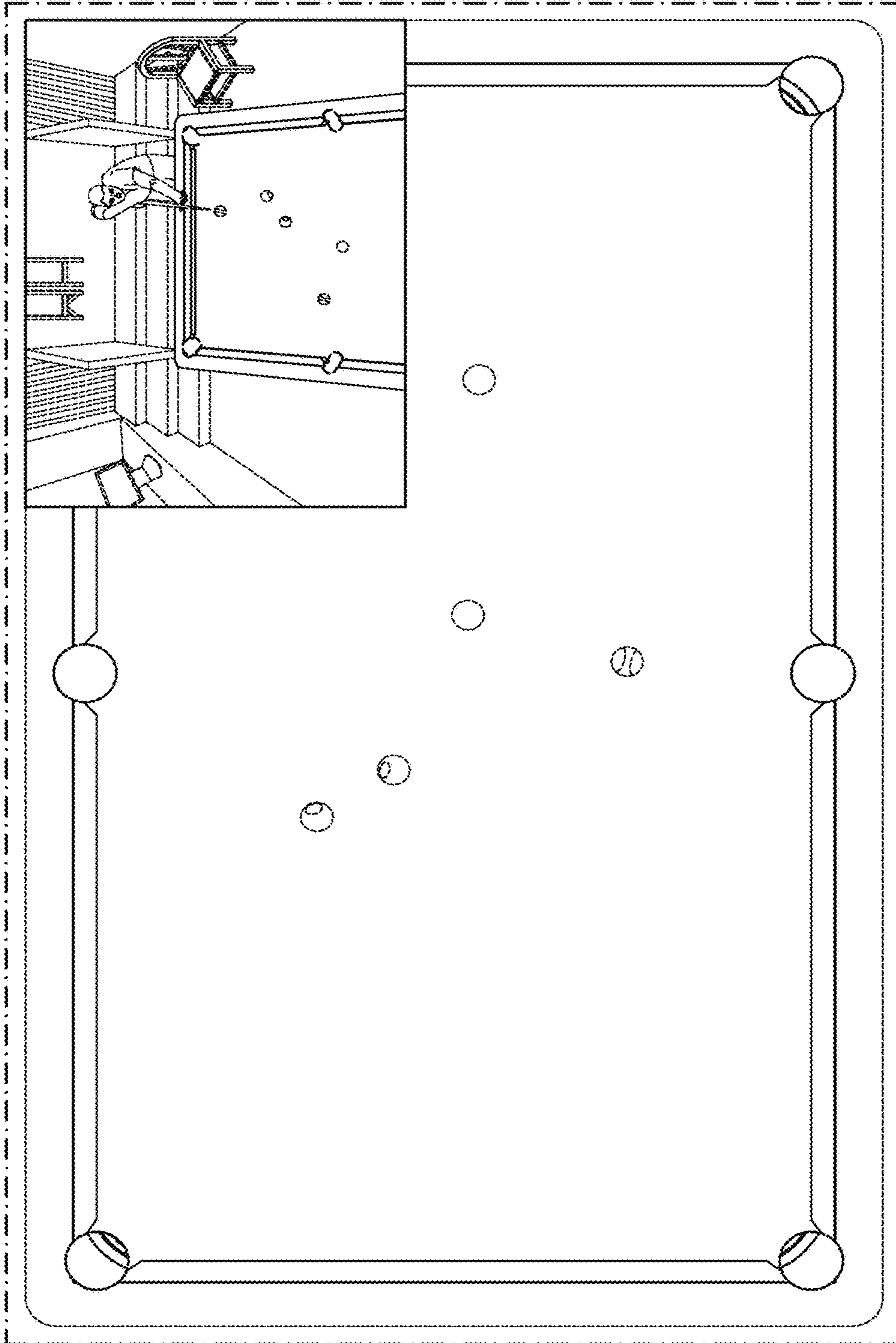


FIG. 2

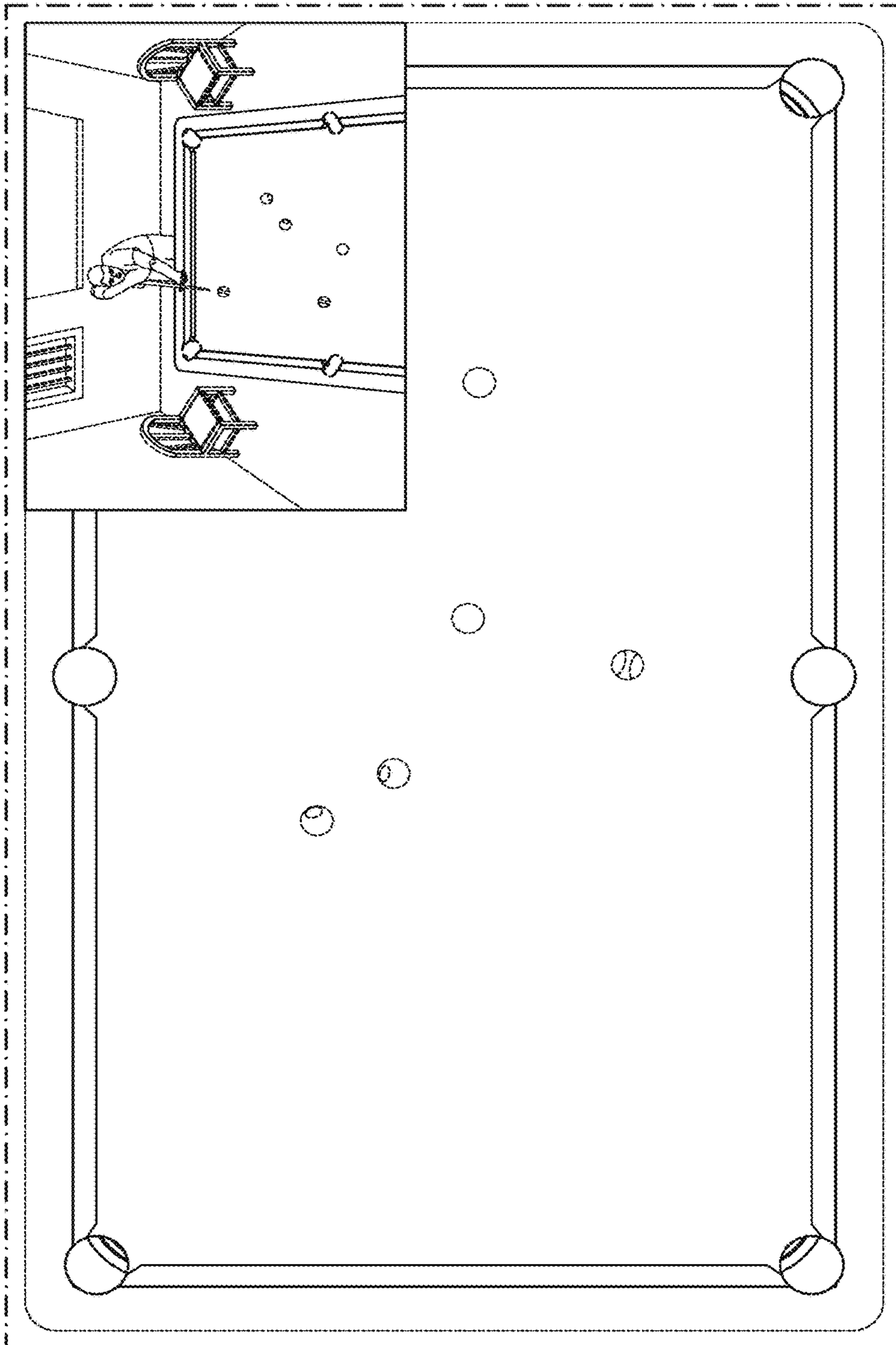


FIG. 3

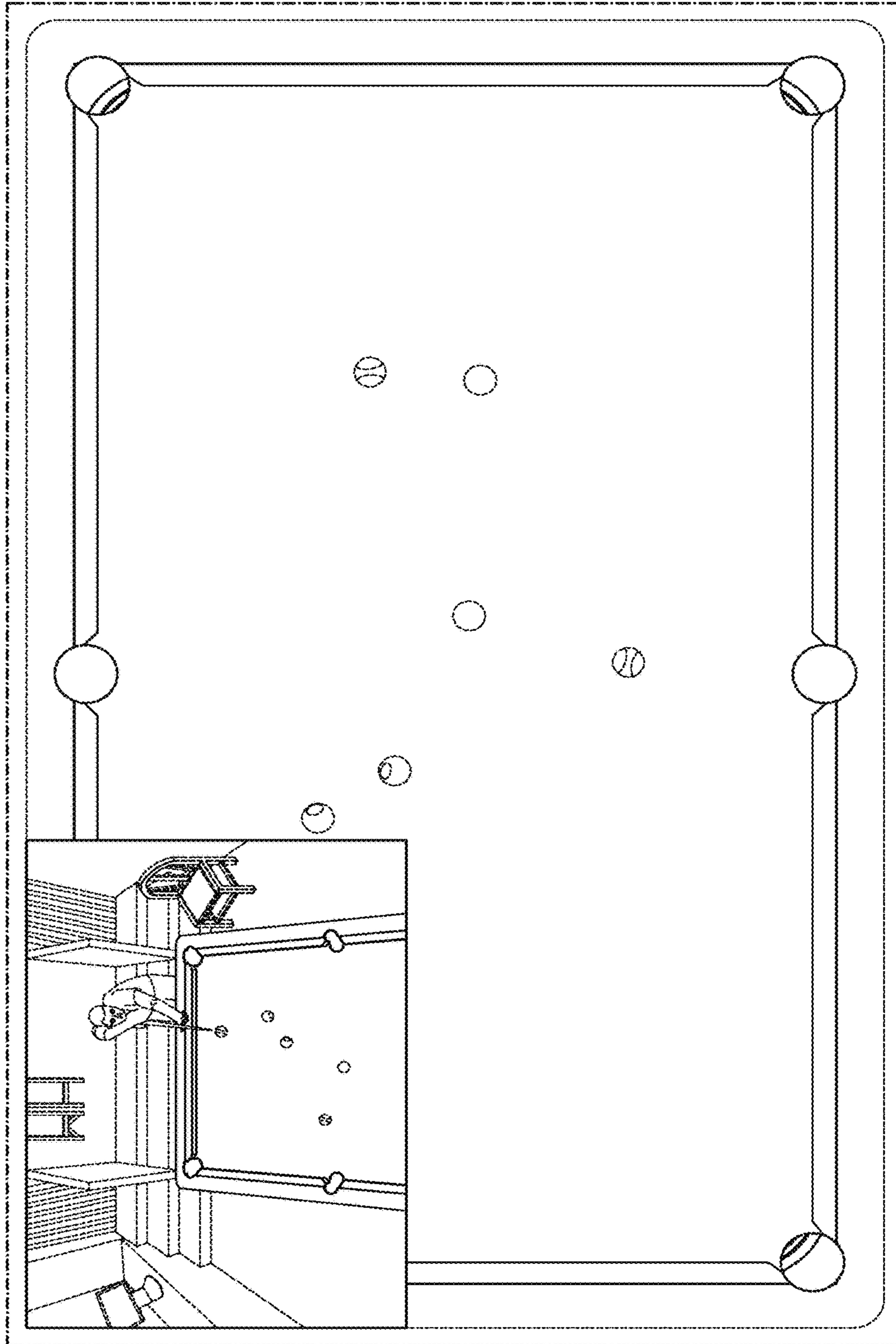


FIG. 4

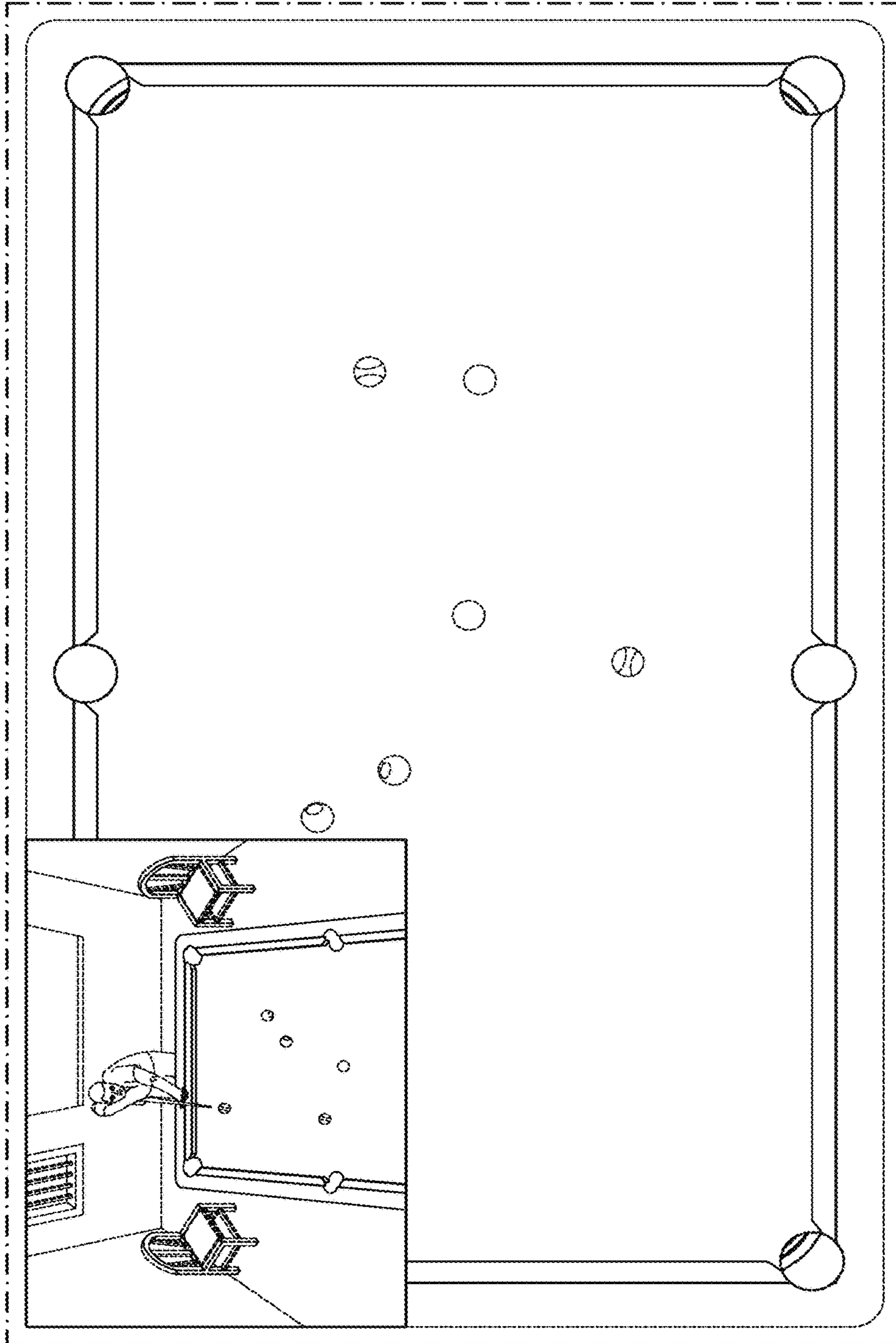


FIG. 5

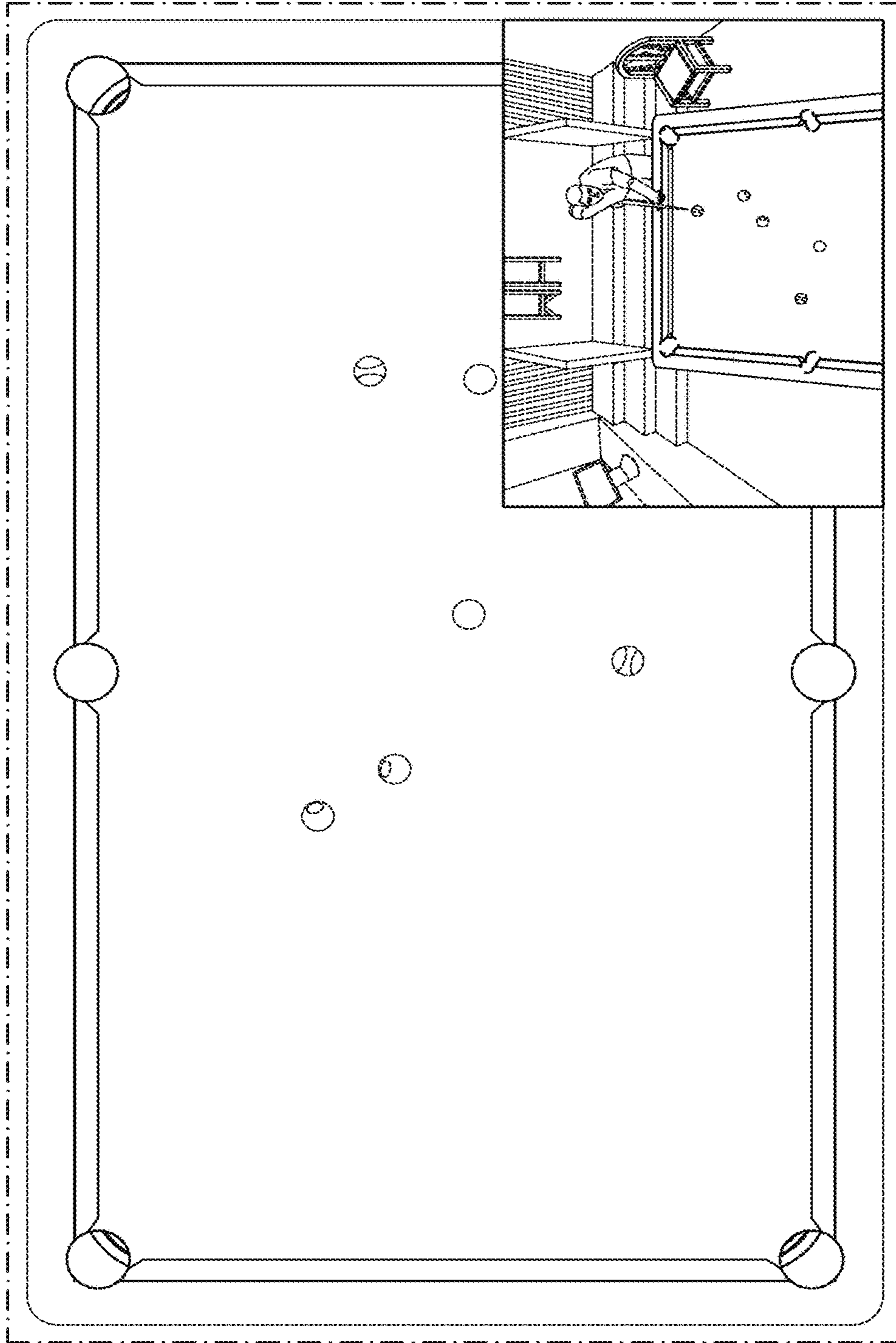


FIG. 6

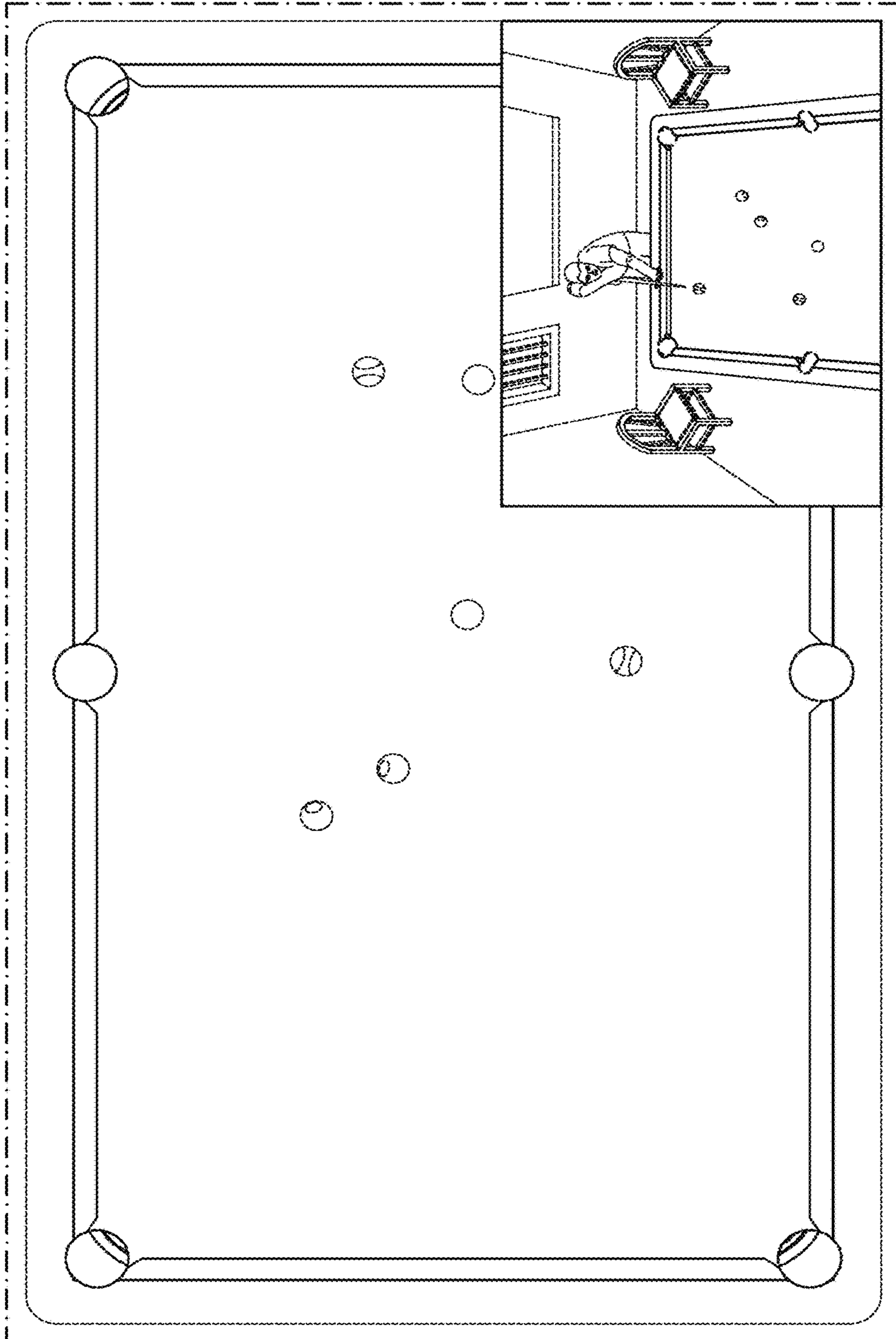


FIG. 7

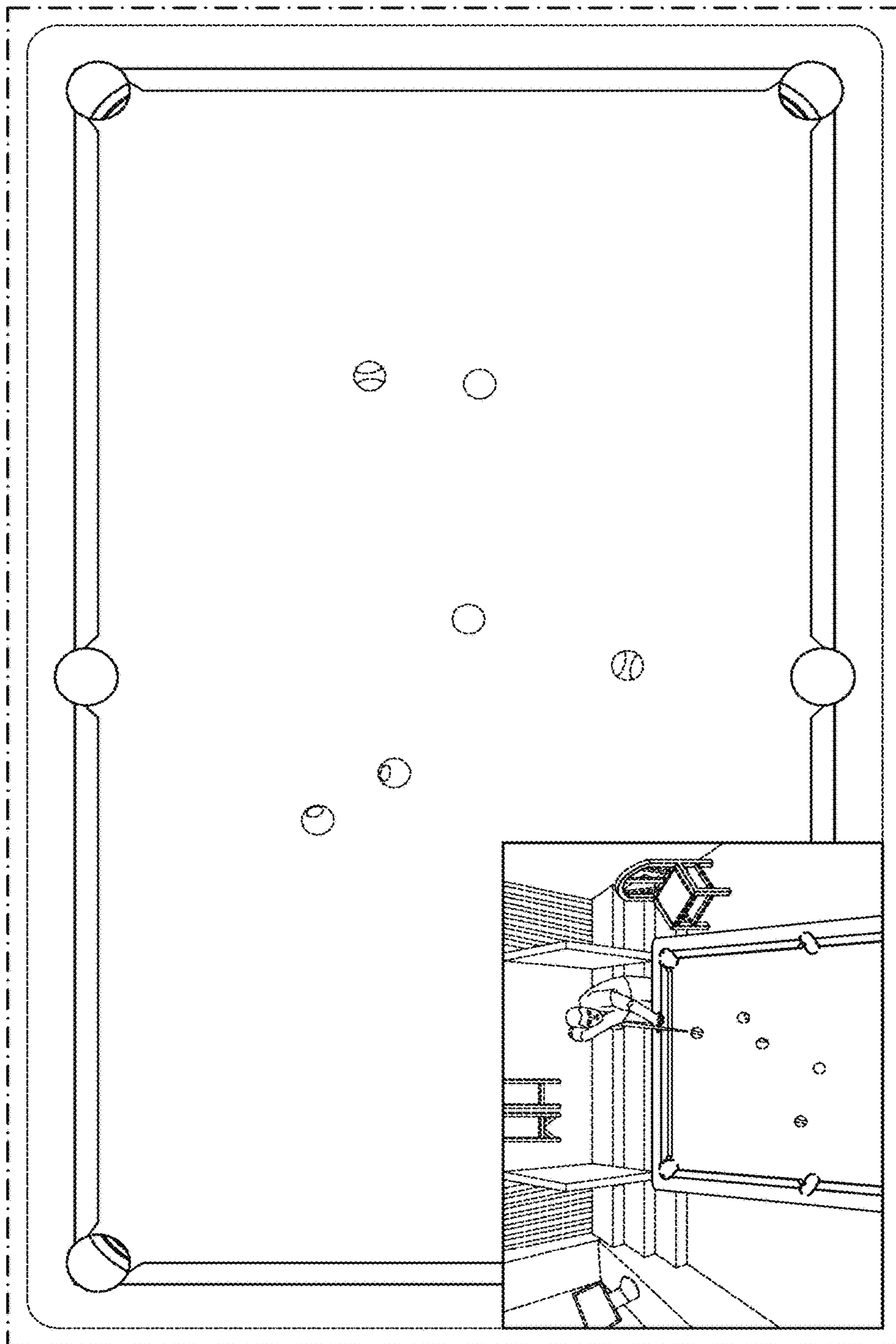


FIG. 8

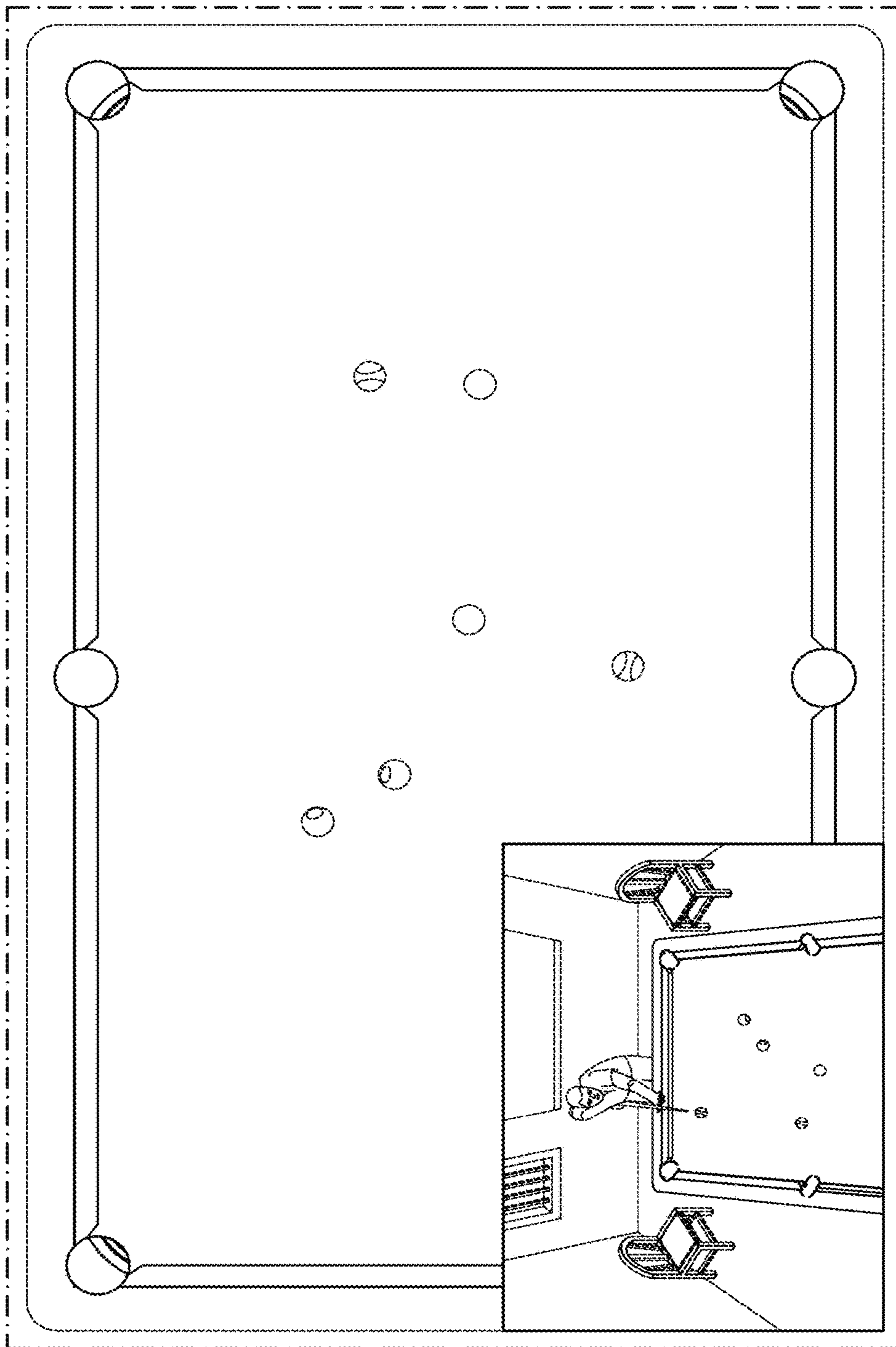


FIG. 9