



US00D835626S

(12) **United States Design Patent**
Mir Martos

(10) **Patent No.:** **US D835,626 S**

(45) **Date of Patent:** **** Dec. 11, 2018**

(54) **COMPUTER SUPPORT**

(71) Applicant: **ECR4KIDS, L.P.**, San Diego, CA (US)

(72) Inventor: **Ramon Mir Martos**, Barcelona (ES)

(73) Assignee: **ECR4KIDS, L.P.**, San Diego, CA (US)

(**) Term: **15 Years**

(21) Appl. No.: **29/630,457**

(22) Filed: **Dec. 21, 2017**

(51) **LOC (11) Cl.** **08-07**

(52) **U.S. Cl.**
USPC **D14/447**

(58) **Field of Classification Search**
USPC D14/447, 432, 434, 439, 440, 451, 452,
D14/457, 239; D8/363, 373, 380;
D6/406.3, 406.4, 406.5, 406.6; D12/415;
D13/108, 144
See application file for complete search history.

(56) **References Cited**

U.S. PATENT DOCUMENTS

D344,076 S *	2/1994	Zahabi	D14/447
D482,038 S *	11/2003	Gustafsson	D14/447
D645,462 S *	9/2011	Choi	D14/253
D655,293 S *	3/2012	Gioscia	D14/434
D692,435 S *	10/2013	Bremenkamp	D14/447

D703,673 S *	4/2014	Kittlaus	D14/447
D722,063 S *	2/2015	Zwerner	D14/447
D752,595 S *	3/2016	Heckler	D14/447
D784,353 S *	4/2017	Brown	D14/447
D799,493 S *	10/2017	Grove	D14/447
D804,489 S *	12/2017	Burns	D14/447
D825,548 S *	8/2018	Lebovitz	D14/253

* cited by examiner

Primary Examiner — Angela J Lee

(74) *Attorney, Agent, or Firm* — Norman E. Lehrer

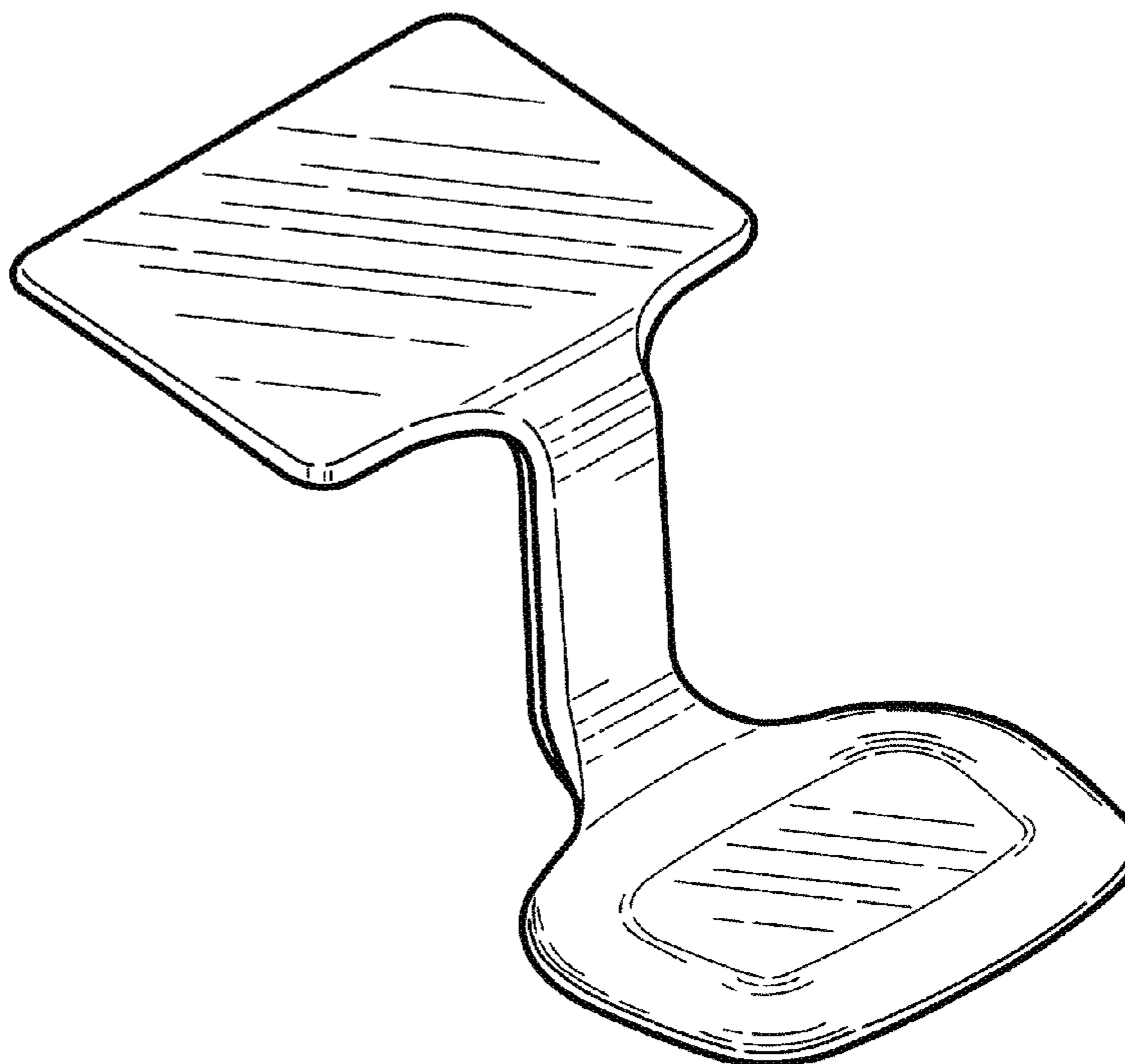
(57) **CLAIM**

The ornamental design for a computer support, as shown and described.

DESCRIPTION

FIG. 1 is a rear top elevation view of a computer support showing my new design;
FIG. 2 is a front bottom elevation view thereof;
FIG. 3 is a top plan view thereof;
FIG. 4 is a bottom plan view thereof;
FIG. 5 is a left side elevation view thereof, the right side elevation being the mirror image thereof;
FIG. 6 is front elevation view thereof; and,
FIG. 7 is a rear elevation view thereof.

1 Claim, 2 Drawing Sheets



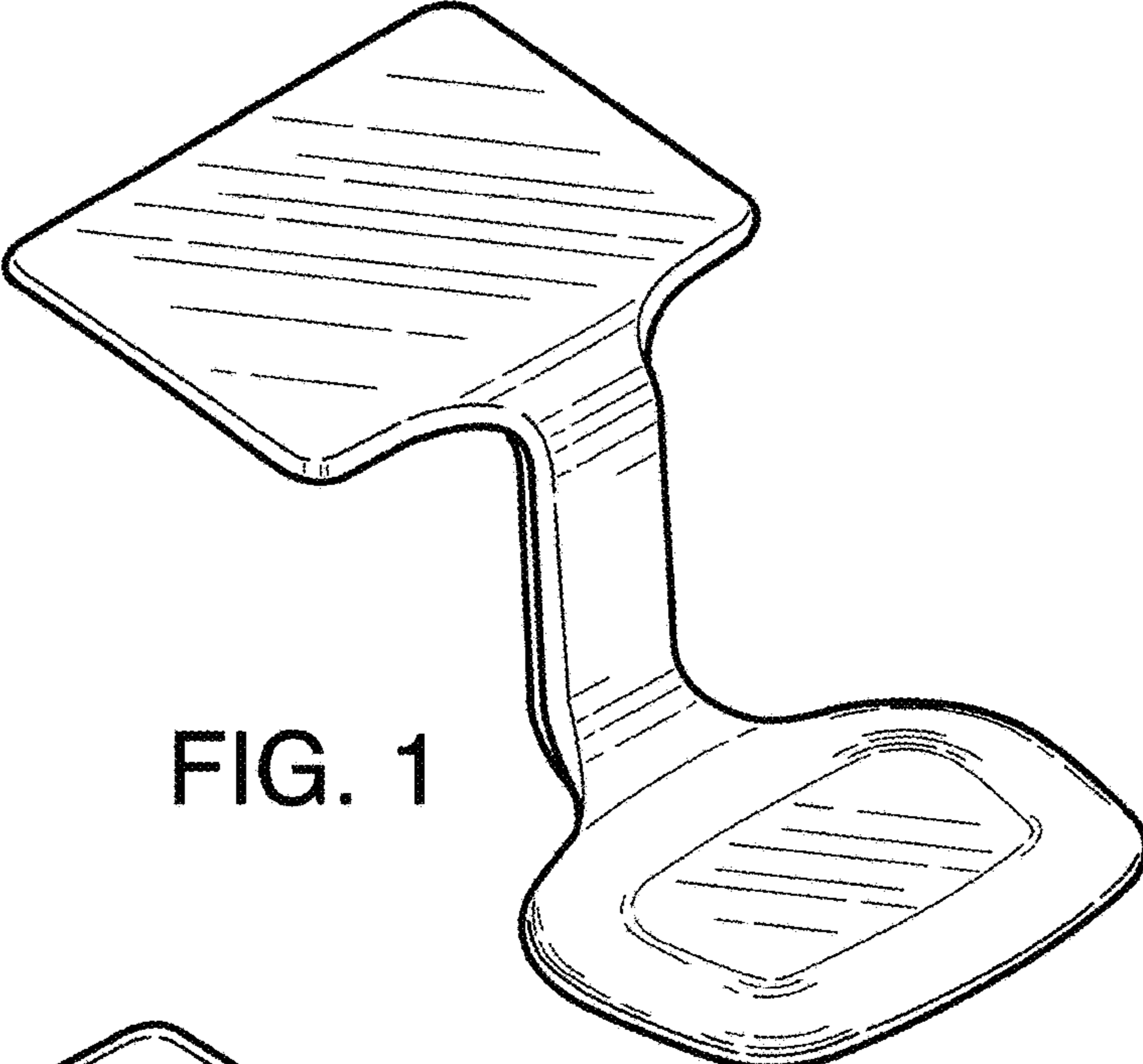


FIG. 1

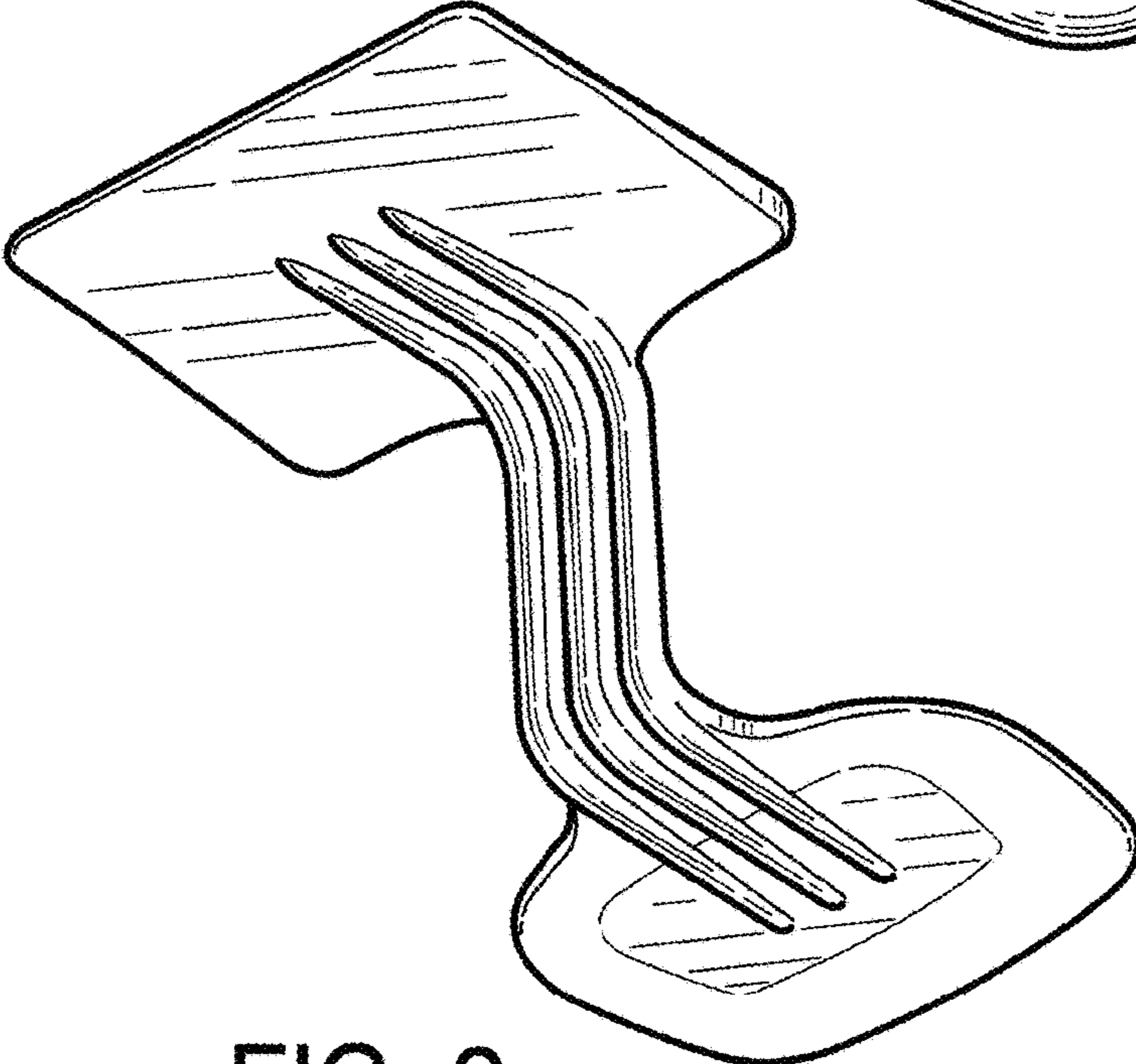


FIG. 2

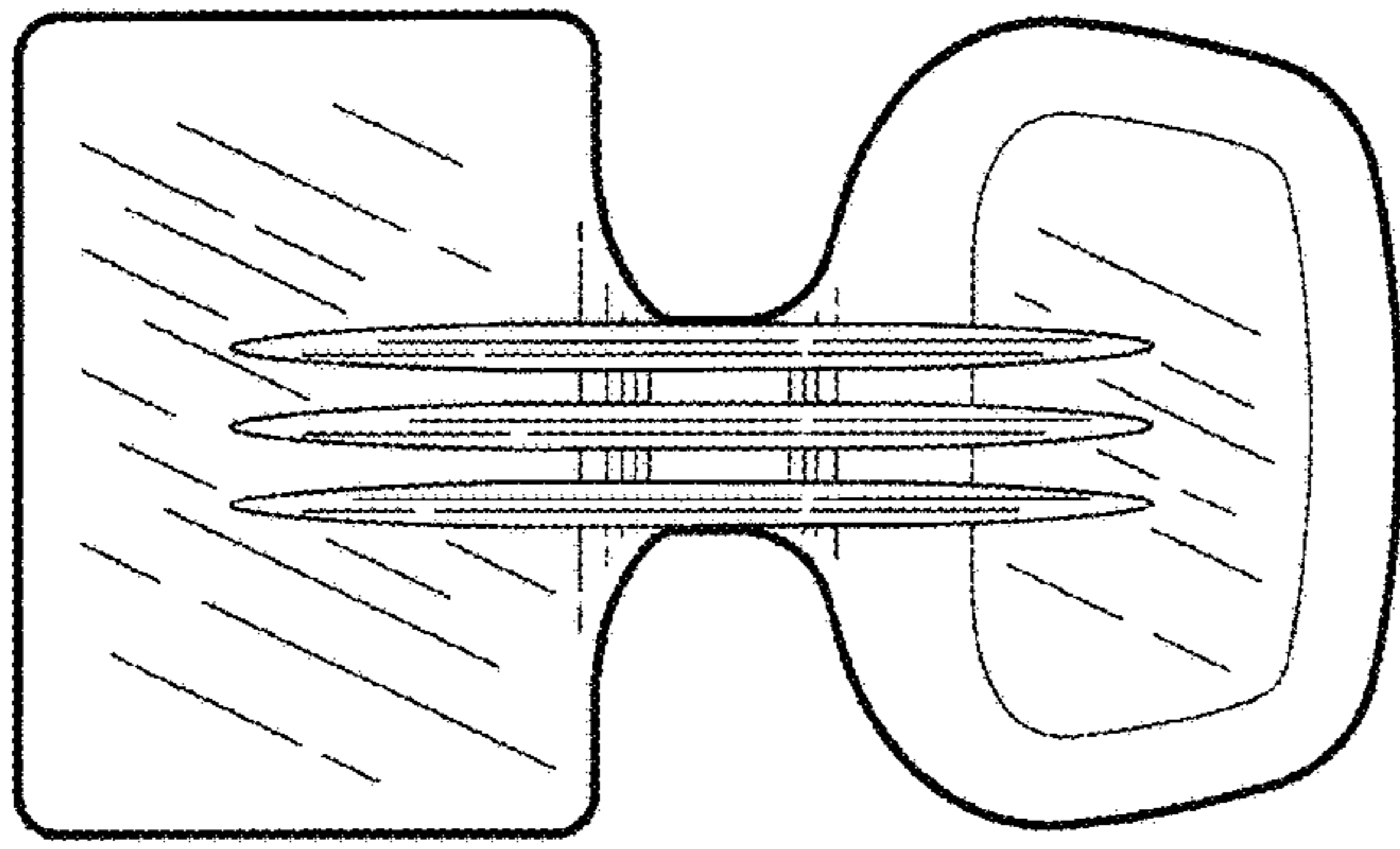


FIG. 4

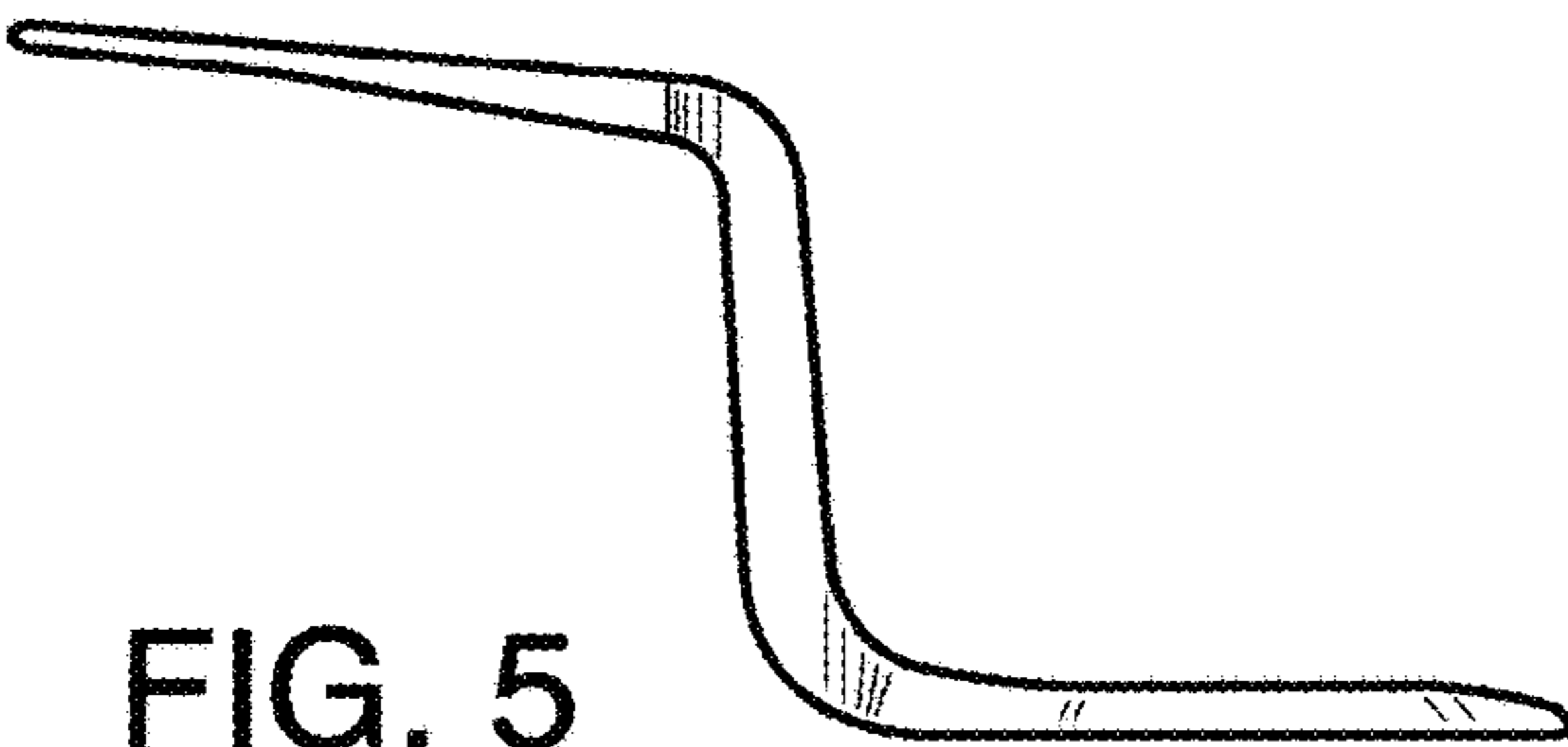


FIG. 5

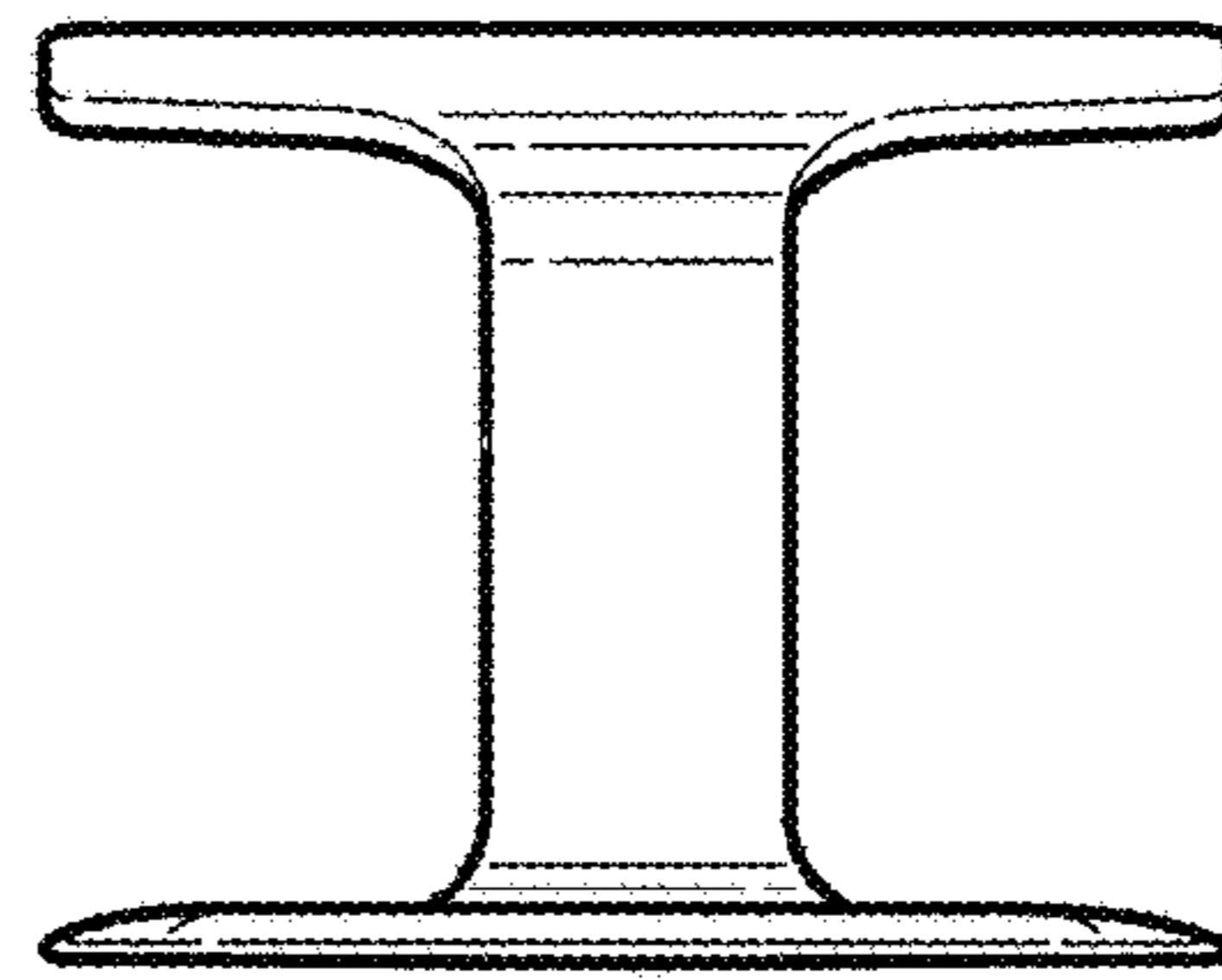


FIG. 7

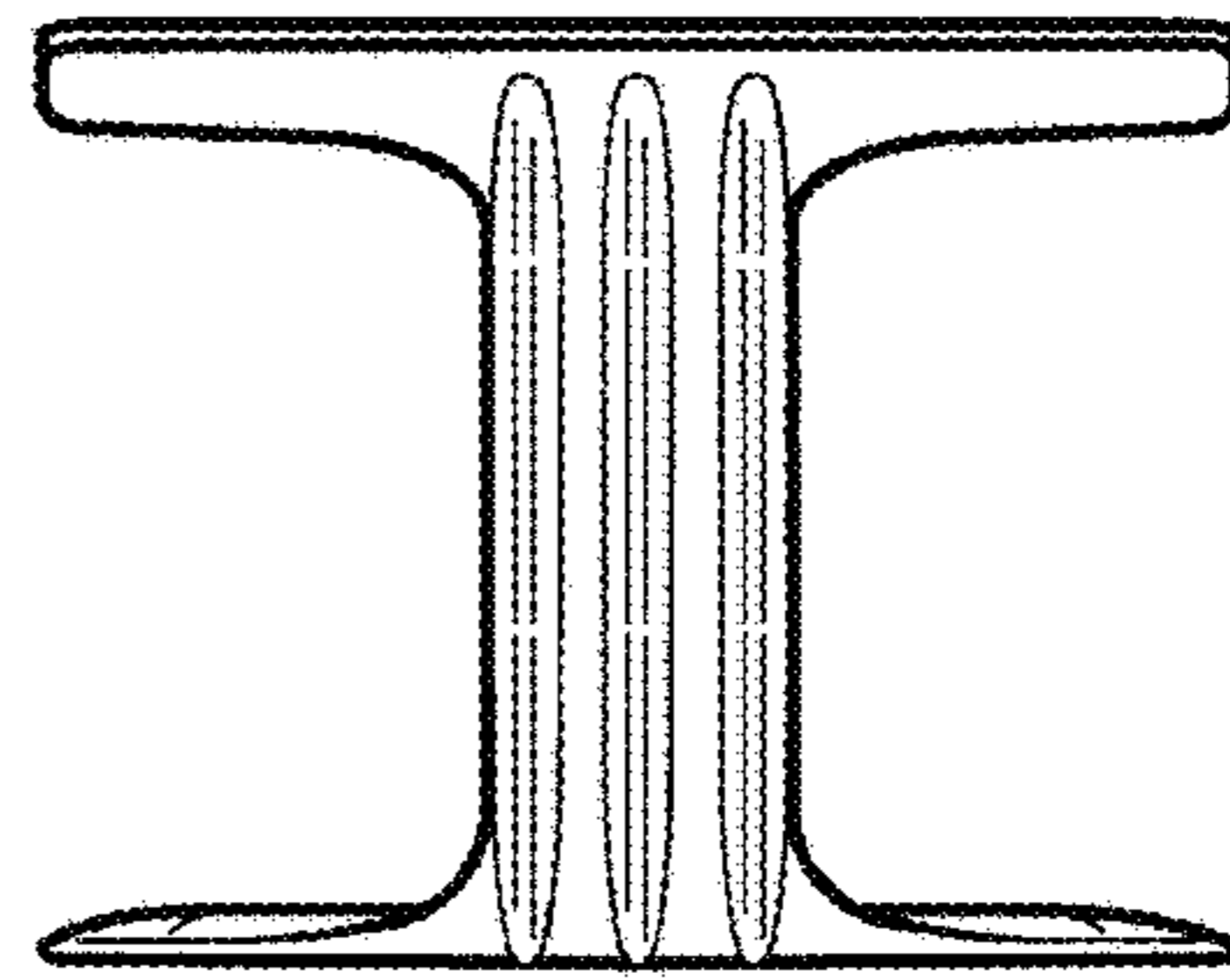


FIG. 6

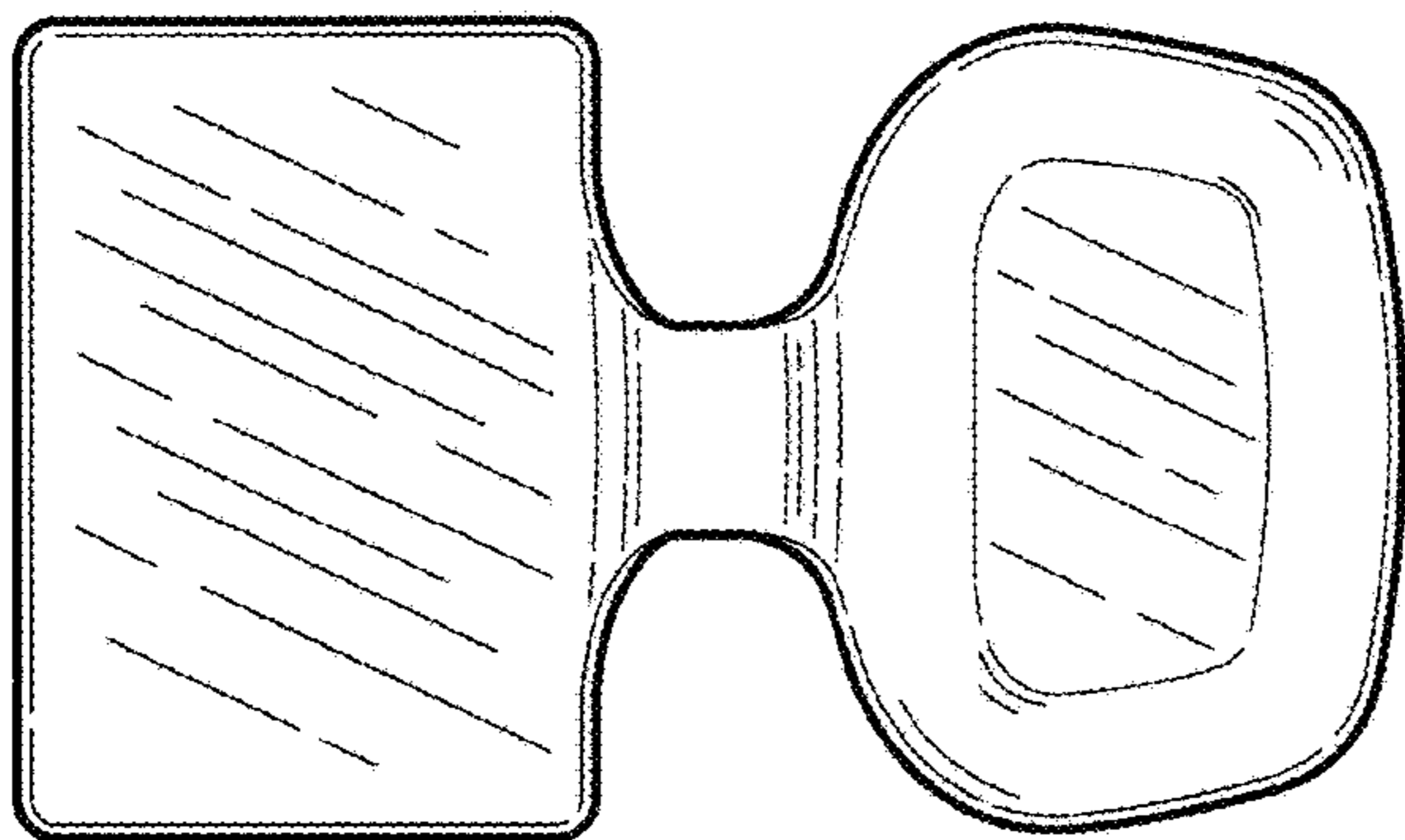


FIG. 3