



US00D835625S

(12) **United States Design Patent**
Li

(10) **Patent No.:** **US D835,625 S**

(45) **Date of Patent:** **** Dec. 11, 2018**

(54) **CASING FOR PORTABLE ELECTRONIC DEVICE**

(71) Applicant: **Jianhui Li**, Shenzhen (CN)

(72) Inventor: **Jianhui Li**, Shenzhen (CN)

(**) Term: **15 Years**

(21) Appl. No.: **29/626,901**

(22) Filed: **Nov. 21, 2017**

(51) **LOC (11) Cl.** **14-02**

(52) **U.S. Cl.**
USPC **D14/440**

(58) **Field of Classification Search**
USPC D14/440; 206/45.23, 320, 45.2;
361/679.55; 294/25; 224/218
CPC ... G06F 1/1628; G06F 1/1626; A47B 23/044;
H04B 1/3888; H05K 5/0217
See application file for complete search history.

(56) **References Cited**

U.S. PATENT DOCUMENTS

6,726,070	B2 *	4/2004	Lautner	A44C 5/0007	224/221
D492,303	S *	6/2004	Schlieffers	D14/341	
D591,801	S *	5/2009	Mak	D21/469	
D594,004	S *	6/2009	Takemasa	D14/341	
D611,467	S *	3/2010	Gou	D14/315	
D613,285	S *	4/2010	Grant	D14/341	
D626,123	S *	10/2010	Peng	D14/324	
D676,449	S *	2/2013	Probst	D14/440	
D685,376	S *	7/2013	Kim	D14/439	
D689,056	S *	9/2013	Li	D14/440	
D690,704	S *	10/2013	Padilla	D14/440	
D691,144	S *	10/2013	Peters	D14/440	
D691,146	S *	10/2013	Perez	D14/440	
D694,246	S *	11/2013	Park	D14/440	
D703,672	S *	4/2014	Kim	D14/440	
8,690,210	B1 *	4/2014	May	A45F 5/00	224/217

D712,412	S *	9/2014	Bleau	D14/440
D721,075	S *	1/2015	Toda	D14/342
D721,376	S *	1/2015	Lee	D14/440
D725,659	S *	3/2015	Tussy	D14/440
D727,917	S *	4/2015	Yeo	D14/440
D733,154	S *	6/2015	Armstrong	D14/440
D741,335	S *	10/2015	Bastian	D14/440
D747,321	S *	1/2016	London	D14/440
D749,592	S *	2/2016	Huang	D14/440
D752,052	S *	3/2016	Park	D14/440
D754,666	S *	4/2016	Tiffen	D14/440
D763,853	S *	8/2016	Pearce	D14/440
D765,085	S *	8/2016	Moore	D14/440
9,407,743	B1 *	8/2016	Hirshberg	H04M 1/04
D766,249	S *	9/2016	Veltz	D14/440
D771,030	S *	11/2016	Tussy	D14/250
D784,350	S *	4/2017	Li	D14/440
D794,007	S *	8/2017	Zhang	D14/250
D794,625	S *	8/2017	Armstrong	D14/250

(Continued)

Primary Examiner — Cynthia R Underwood

(74) *Attorney, Agent, or Firm* — Wayne & King LLC

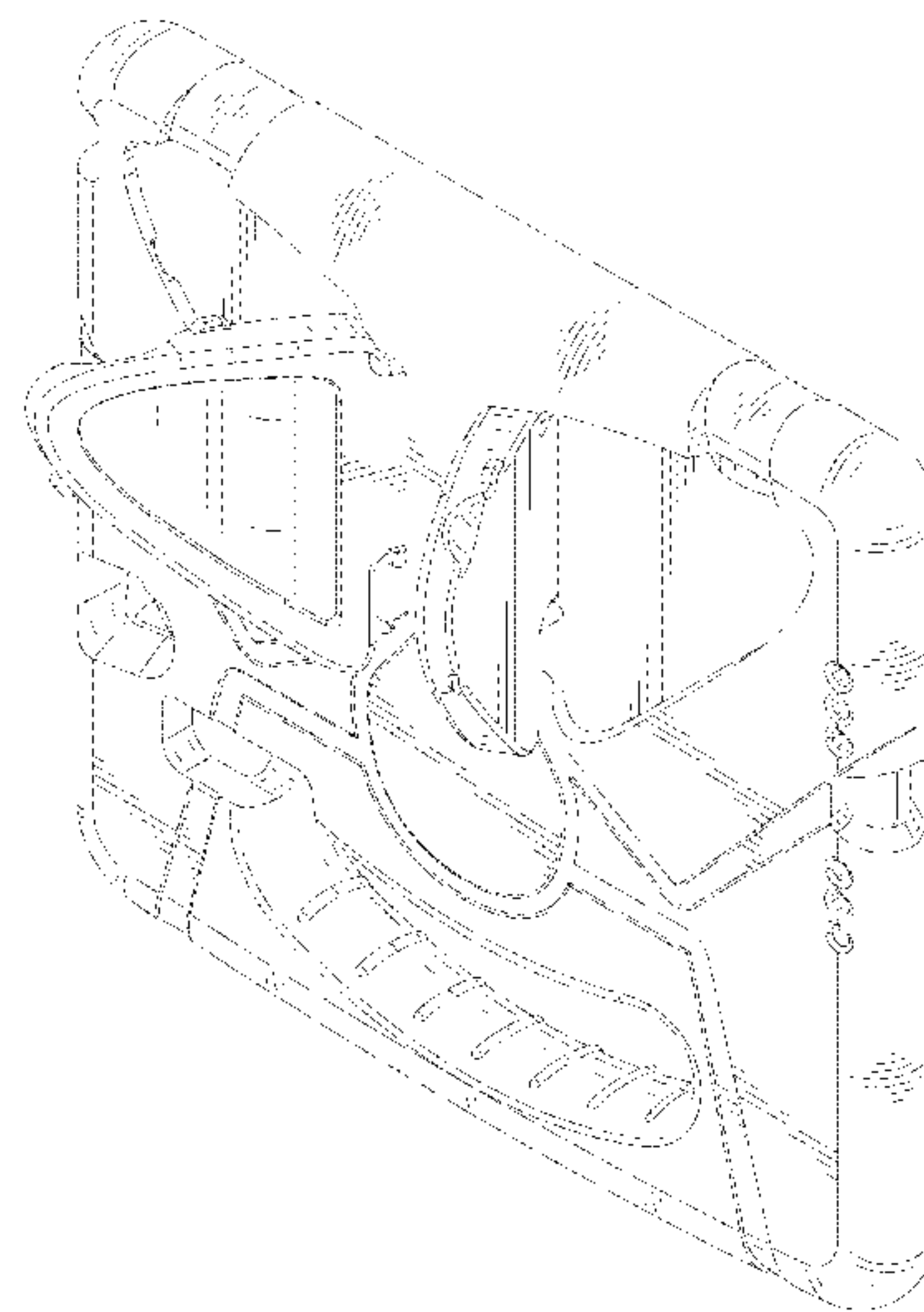
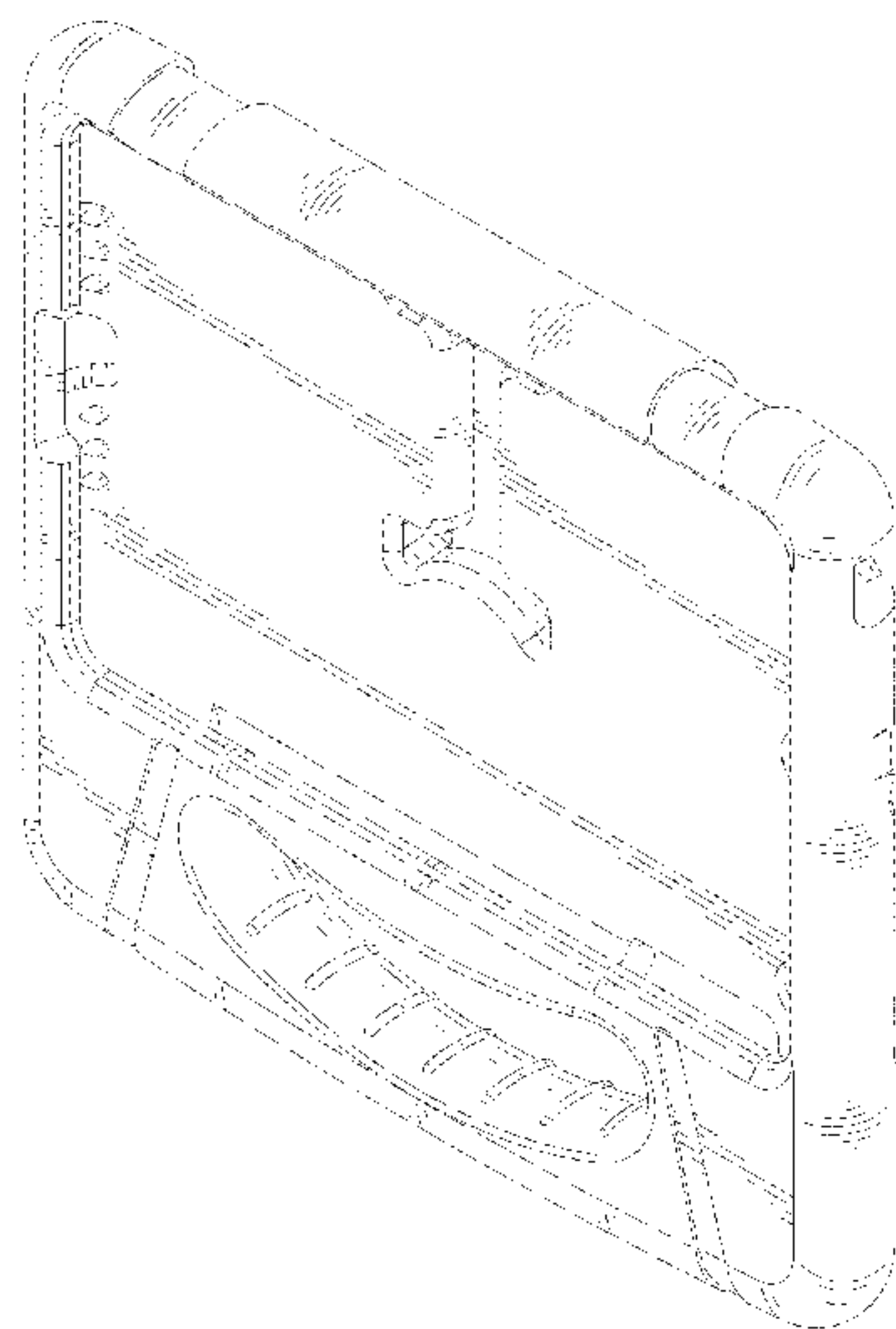
(57) **CLAIM**

The ornamental design of a casing for portable electronic device, as shown and described.

DESCRIPTION

FIG. 1 is a perspective view of a casing for portable electronic device showing my new design; FIG. 2 is a rear perspective view thereof; FIG. 3 is a front view thereof; FIG. 4 is a rear view thereof; FIG. 5 is a left side view thereof; FIG. 6 is a right side view thereof; FIG. 7 is a top view thereof; FIG. 8 is a bottom view thereof; and, FIG. 9 is a perspective view thereof, showing an in-use position.

1 Claim, 9 Drawing Sheets



(56)

References Cited

U.S. PATENT DOCUMENTS

D797,106 S *	9/2017	Paolizzi	D14/426	2011/0267748 A1*	11/2011	Lane	A45F 5/00 361/679.01
D803,222 S *	11/2017	Cheng	D14/440	2011/0309117 A1*	12/2011	Roberts	A45F 5/00 224/217
D806,080 S *	12/2017	Chen	D14/440	2012/0075799 A1*	3/2012	Pollex	F16M 11/041 361/679.56
D806,083 S *	12/2017	Armstrong	D14/440	2012/0091312 A1*	4/2012	Baker	F16M 13/00 248/682
D807,366 S *	1/2018	Chen	D14/440	2014/0054910 A1*	2/2014	Kim	H04B 1/385 294/158
D810,065 S *	2/2018	Tien	D14/250	2014/0152034 A1*	6/2014	Tussy	F16M 13/04 294/142
D810,066 S *	2/2018	Tien	D14/250	2015/0009610 A1*	1/2015	London	G06F 1/163 361/679.03
D811,386 S *	2/2018	Oakley	D14/341	2015/0068934 A1*	3/2015	Armstrong	A45C 11/00 206/320
D817,316 S *	5/2018	Srour	D14/251	2015/0201743 A1*	7/2015	Erickson-Davis	A45F 5/00 224/218
D821,405 S *	6/2018	Chen	D14/440	2017/0045920 A1*	2/2017	Armstrong	G06F 1/1669
2004/0226973 A1*	11/2004	Kao	F16M 11/041 224/218				
2007/0215512 A1*	9/2007	Bellissimo	A47G 23/0625 206/557				
2009/0219677 A1*	9/2009	Mori	A45F 3/14 361/679.03				

* cited by examiner

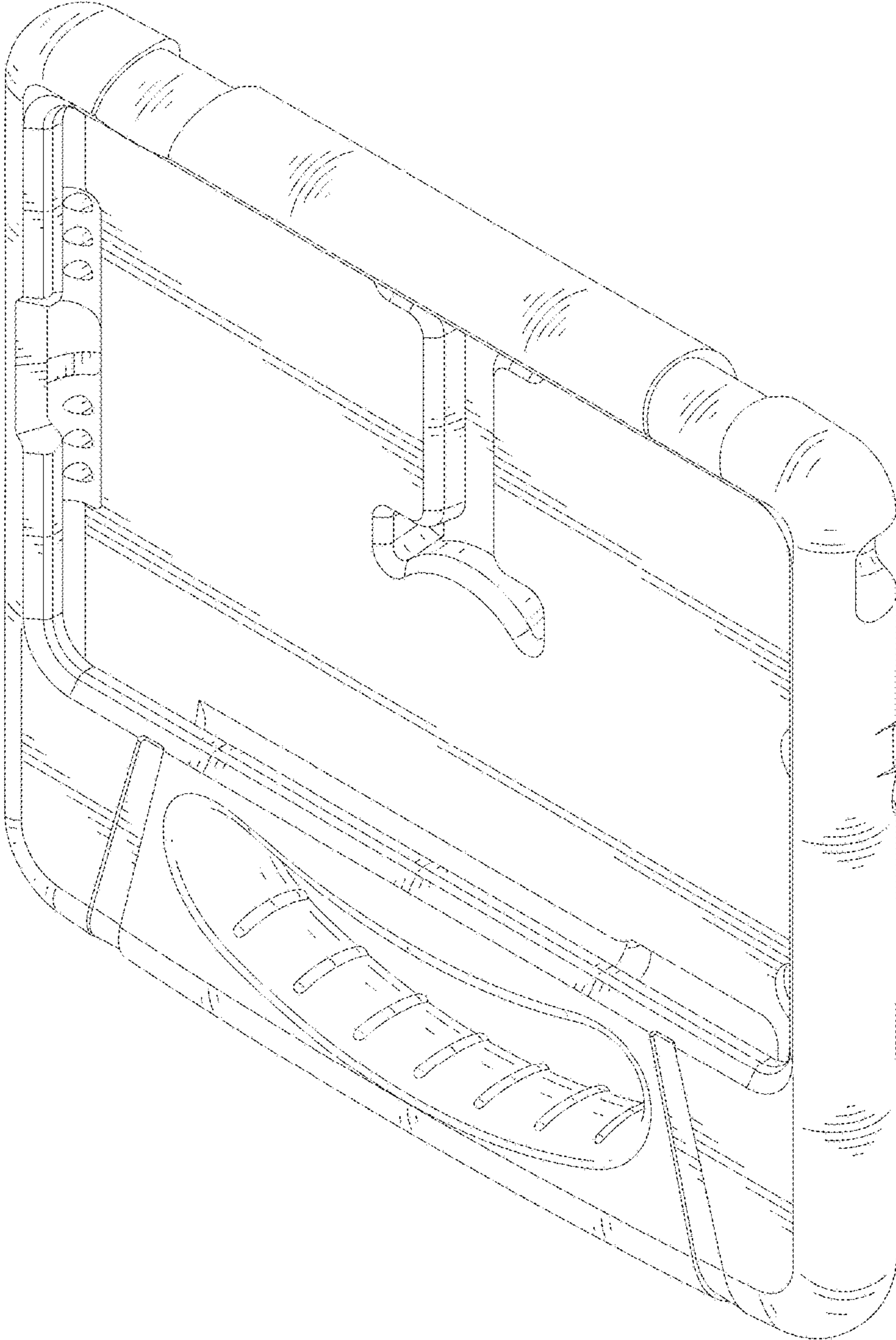


FIG.1

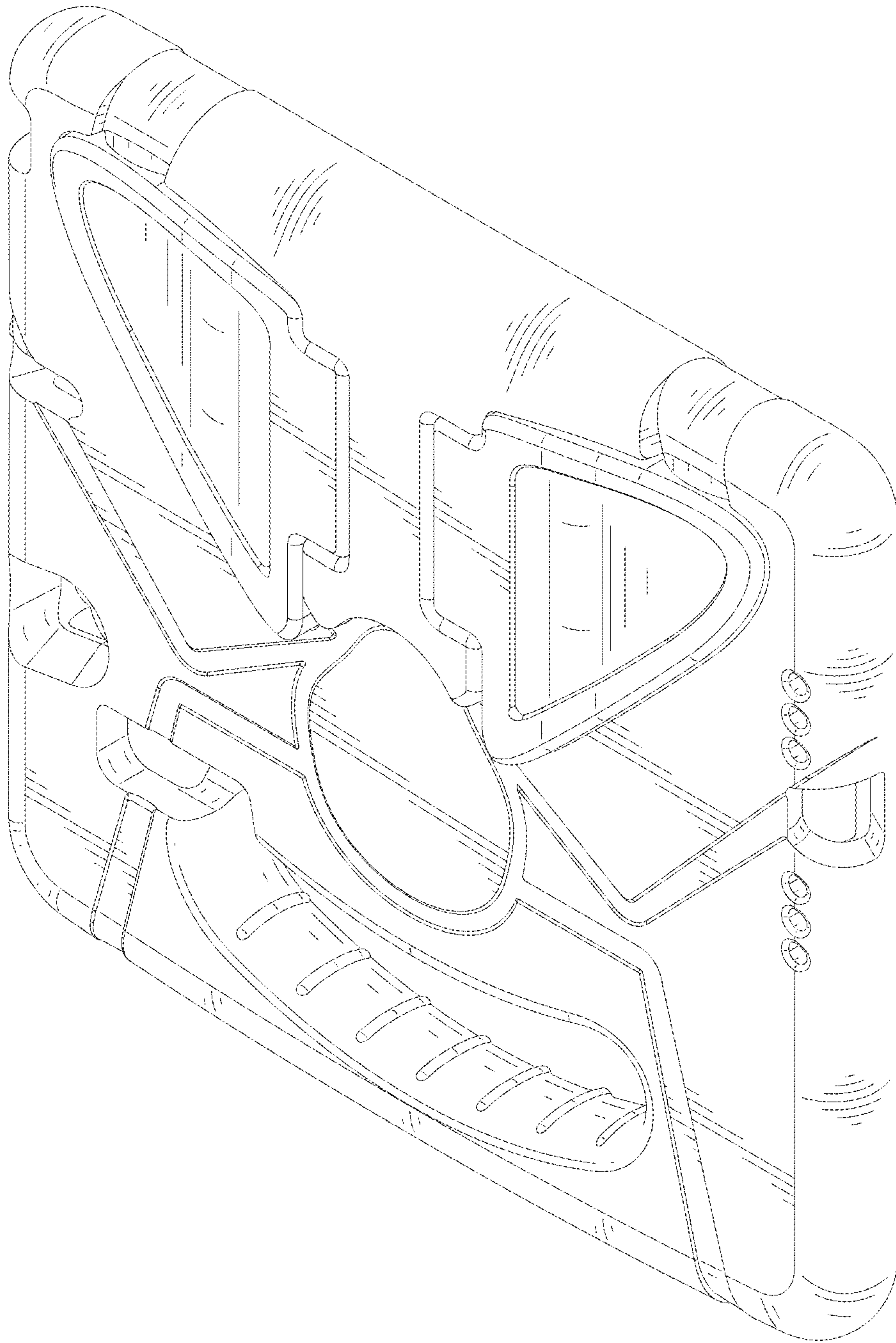


FIG.2

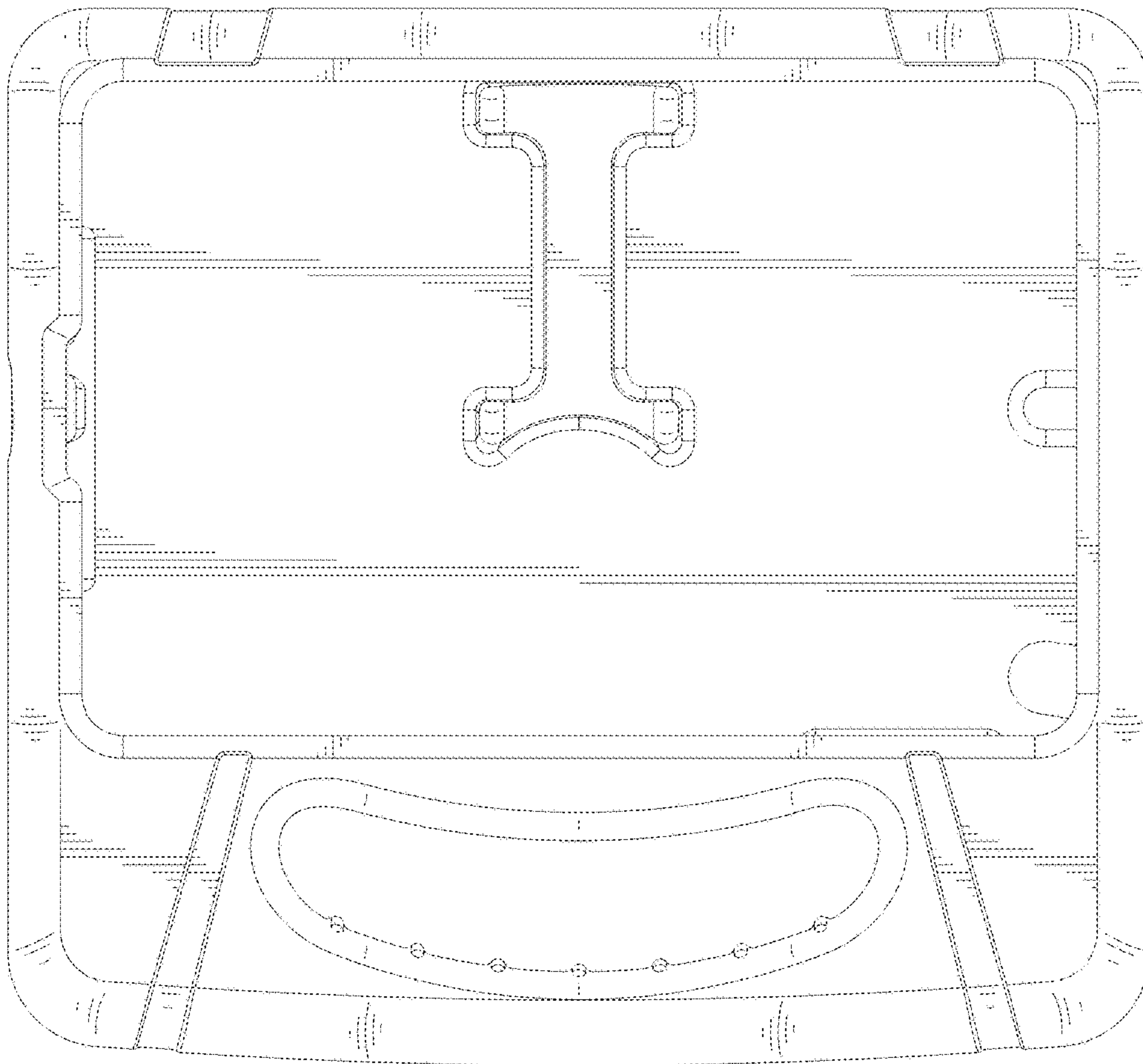


FIG.3

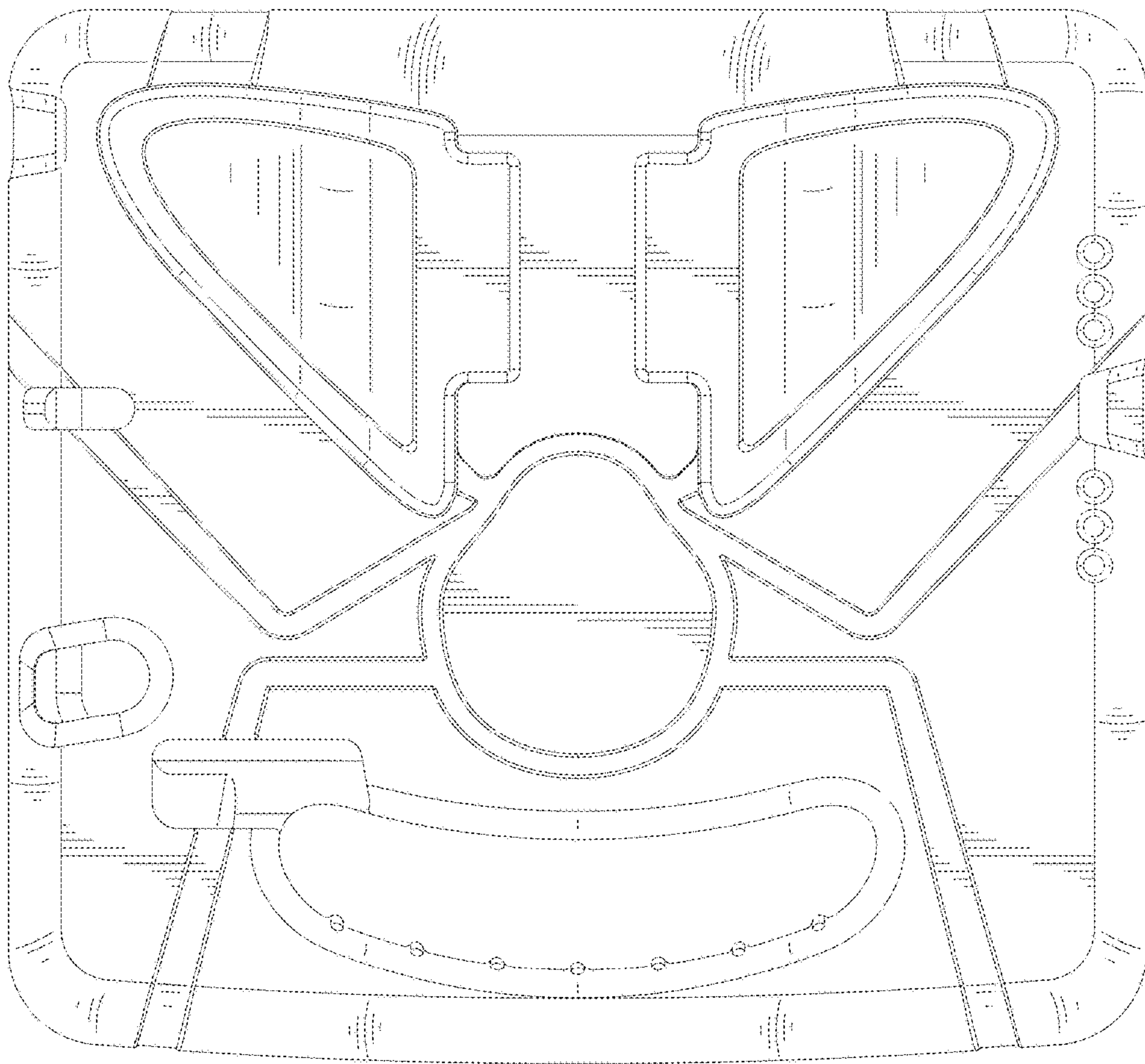


FIG.4

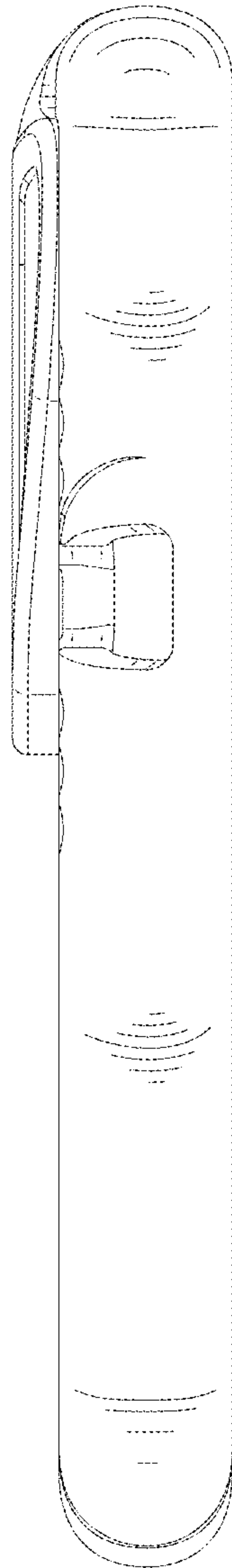


FIG.5

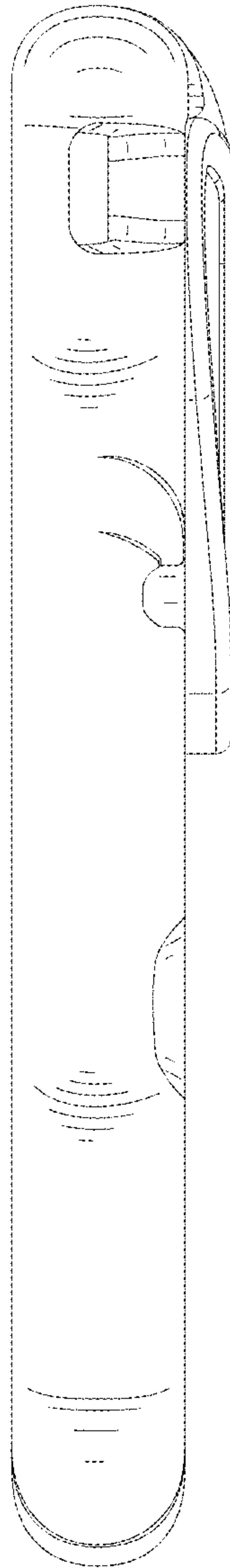


FIG.6



FIG.7

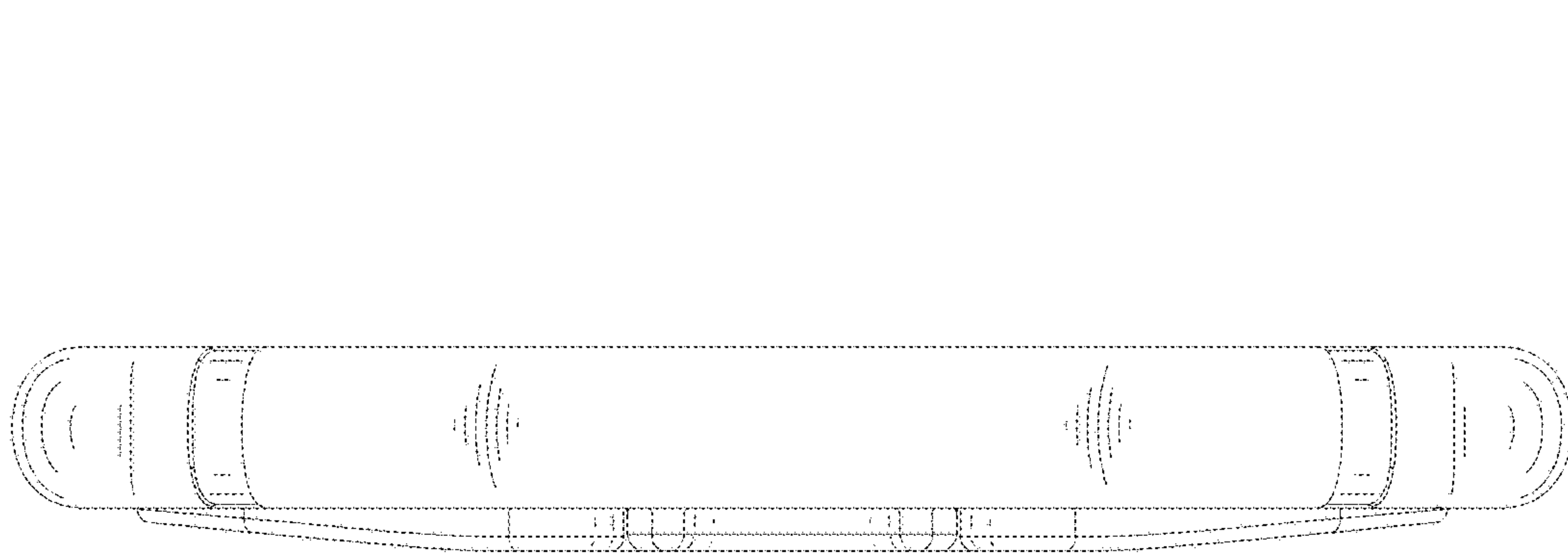


FIG.8

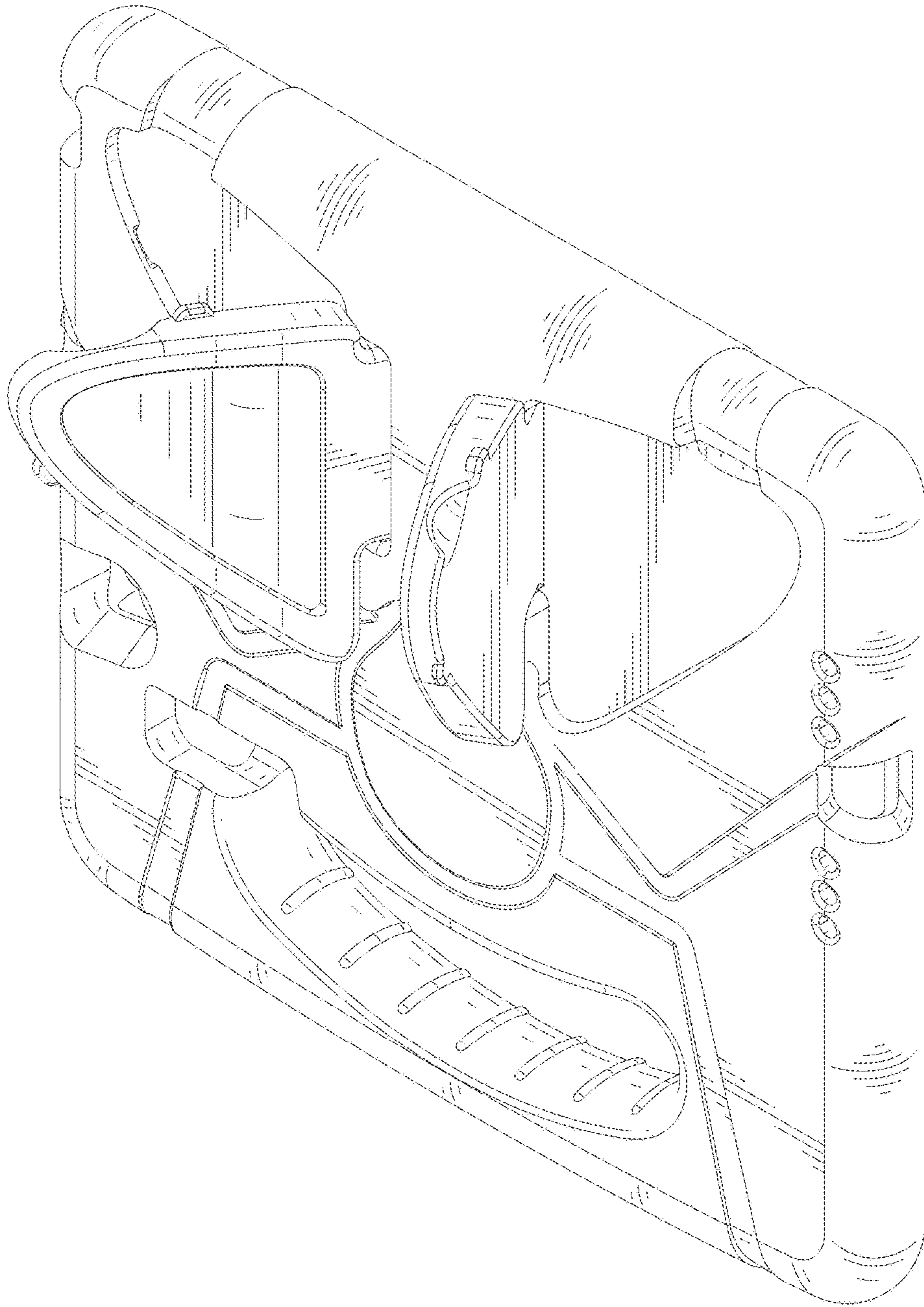


FIG.9