



US00D835624S

(12) **United States Design Patent**  
**Li**

(10) **Patent No.:** **US D835,624 S**

(45) **Date of Patent:** **\*\* Dec. 11, 2018**

(54) **CASING FOR PORTABLE ELECTRONIC DEVICE**

(71) Applicant: **Jianhui Li**, Shenzhen (CN)

(72) Inventor: **Jianhui Li**, Shenzhen (CN)

(\*\*) Term: **15 Years**

(21) Appl. No.: **29/623,192**

(22) Filed: **Oct. 23, 2017**

(51) **LOC (11) Cl.** ..... **14-02**

(52) **U.S. Cl.**  
USPC ..... **D14/440**

(58) **Field of Classification Search**  
USPC ..... D14/440; 206/45.23, 320, 45.2;  
361/679.55; 294/25; 224/218  
CPC ... G06F 1/1628; G06F 1/1626; A47B 23/044;  
H04B 1/3888; H05K 5/0217  
See application file for complete search history.

(56) **References Cited**

**U.S. PATENT DOCUMENTS**

6,726,070	B2 *	4/2004	Lautner	.....	A44C 5/0007	224/221
D492,303	S *	6/2004	Schlieffers	.....	D14/341	
D591,801	S *	5/2009	Mak	.....	D21/469	
D594,004	S *	6/2009	Takemasa	.....	D14/341	
D611,467	S *	3/2010	Gou	.....	D14/315	
D613,285	S *	4/2010	Grant	.....	D14/341	
D626,123	S *	10/2010	Peng	.....	D14/324	
D676,449	S *	2/2013	Probst	.....	D14/440	
D685,376	S *	7/2013	Kim	.....	D14/439	
D689,056	S *	9/2013	Li	.....	D14/440	
D690,704	S *	10/2013	Padilla	.....	D14/440	
D691,144	S *	10/2013	Peters	.....	D14/440	
D691,146	S *	10/2013	Perez	.....	D14/440	
D694,246	S *	11/2013	Park	.....	14/440	
D703,672	S *	4/2014	Kim	.....	D14/440	
8,690,210	B1 *	4/2014	May	.....	A45F 5/00	224/217

D705,767	S *	5/2014	Yoon	.....	D14/250
D712,412	S *	9/2014	Bleau	.....	D14/440
D721,075	S *	1/2015	Toda	.....	D14/342
D721,376	S *	1/2015	Lee	.....	D14/440
D725,659	S *	3/2015	Tussy	.....	D14/440
D727,917	S *	4/2015	Yeo	.....	D14/440
D733,154	S *	6/2015	Armstrong	.....	D14/440
D741,335	S *	10/2015	Bastian	.....	D14/440
D747,321	S *	1/2016	London	.....	D14/440
D749,592	S *	2/2016	Huang	.....	D14/440
D752,052	S *	3/2016	Park	.....	D14/440
D754,666	S *	4/2016	Tiffen	.....	D14/440
D763,853	S *	8/2016	Pearce	.....	D14/440
D765,085	S *	8/2016	Moore	.....	D14/440
9,407,743	B1 *	8/2016	Hirshberg	.....	H04M 1/04
D766,249	S *	9/2016	Veltz	.....	D14/440
D771,030	S *	11/2016	Tussy	.....	D14/250
D784,350	S *	4/2017	Li	.....	D14/440
D794,007	S *	8/2017	Zhang	.....	D14/250
D794,625	S *	8/2017	Armstrong	.....	D14/250

(Continued)

*Primary Examiner* — Cynthia R Underwood

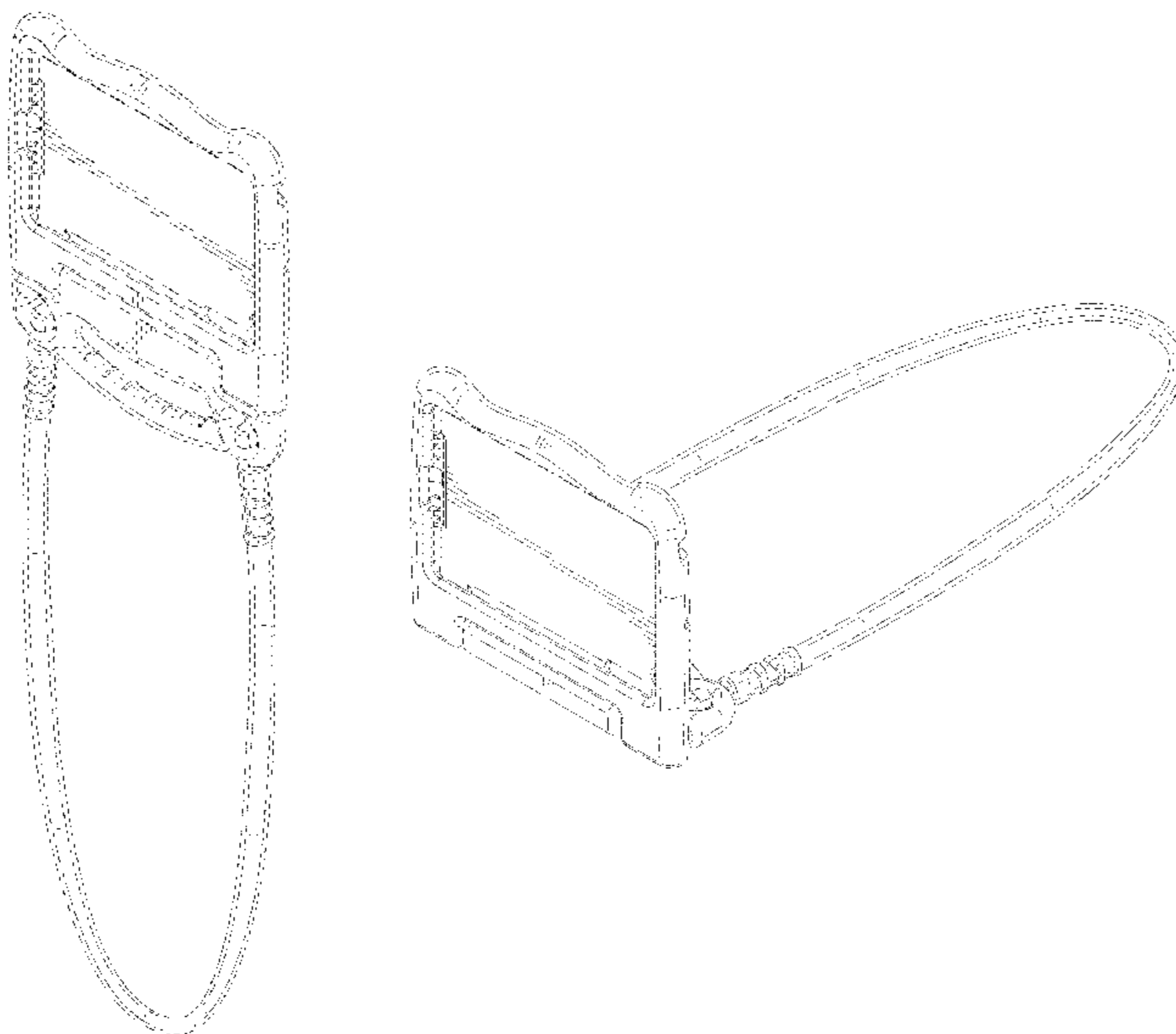
(57) **CLAIM**

The ornamental design of a casing for portable electronic device, as shown and described.

**DESCRIPTION**

FIG. 1 is a perspective view of a casing for portable electronic device showing my new design; FIG. 2 is a rear perspective view thereof; FIG. 3 is a front view thereof; FIG. 4 is a rear view thereof; FIG. 5 is a left side view thereof; FIG. 6 is a right side view thereof; FIG. 7 is a top view thereof; FIG. 8 is a bottom view thereof; and, FIG. 9 is a perspective view thereof, showing an in-use position.

**1 Claim, 9 Drawing Sheets**



(56)

**References Cited**

U.S. PATENT DOCUMENTS

D797,106	S *	9/2017	Paolizzi	.....	D14/426
D803,222	S *	11/2017	Cheng	.....	D14/440
D806,083	S *	12/2017	Armstrong	.....	D14/440
D807,366	S *	1/2018	Chen	.....	D14/440
D817,316	S *	5/2018	Srour	.....	D14/251
D821,405	S *	6/2018	Chen	.....	D14/440
2004/0226973	A1 *	11/2004	Kao	.....	F16M 11/041 224/218
2007/0215512	A1 *	9/2007	Bellissimo	.....	A47G 23/0625 206/557
2009/0219677	A1 *	9/2009	Mori	.....	A45F 3/14 361/679.03
2011/0267748	A1 *	11/2011	Lane	.....	A45F 5/00 361/679.01
2011/0309117	A1 *	12/2011	Roberts	.....	A45F 5/00 224/217
2012/0091312	A1 *	4/2012	Baker	.....	F16M 13/00 248/682
2014/0054910	A1 *	2/2014	Kim	.....	H04B 1/385 294/158
2014/0152034	A1 *	6/2014	Tussy	.....	F16M 13/04 294/142
2015/0009610	A1 *	1/2015	London	.....	G06F 1/163 361/679.03
2015/0068934	A1 *	3/2015	Armstrong	.....	A45C 11/00 206/320
2015/0201743	A1 *	7/2015	Erickson-Davis	.....	A45F 5/00 224/218
2017/0045920	A1 *	2/2017	Armstrong	.....	G06F 1/1669

\* cited by examiner

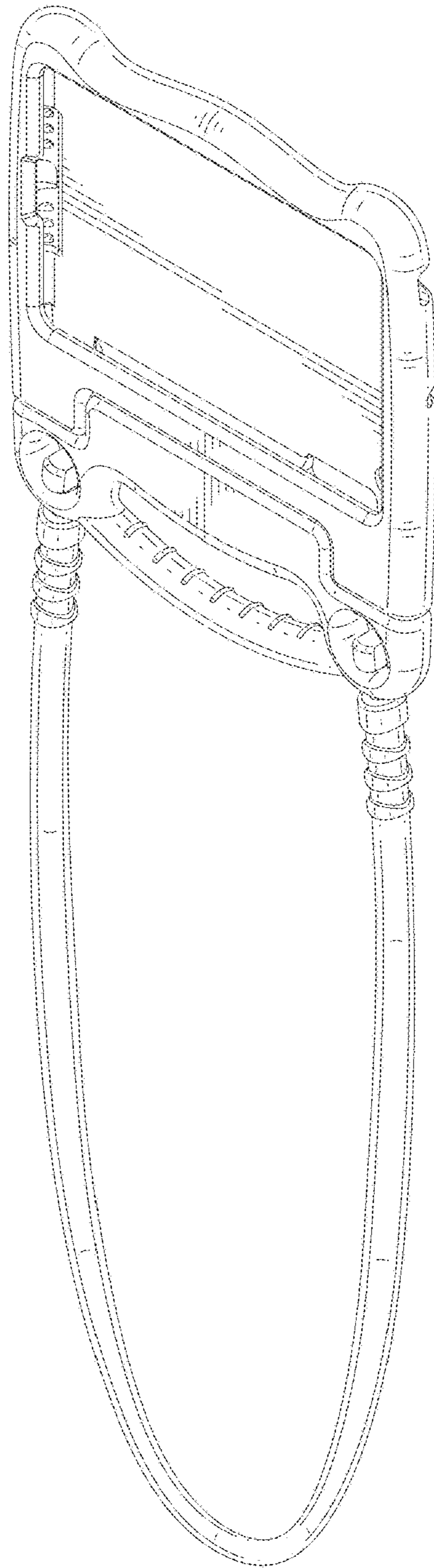


FIG.1

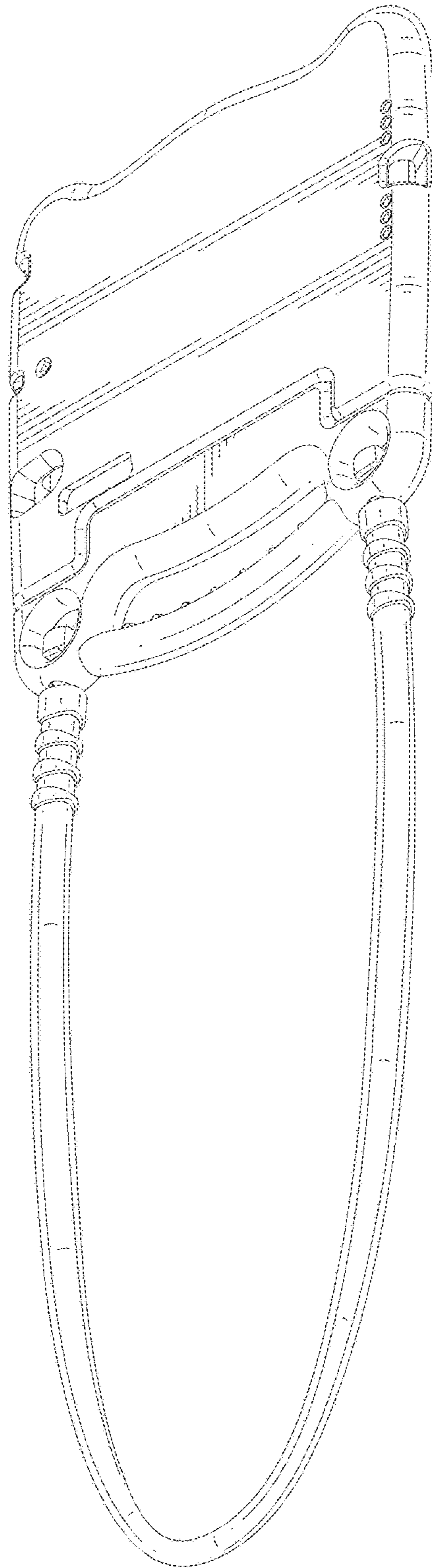


FIG.2

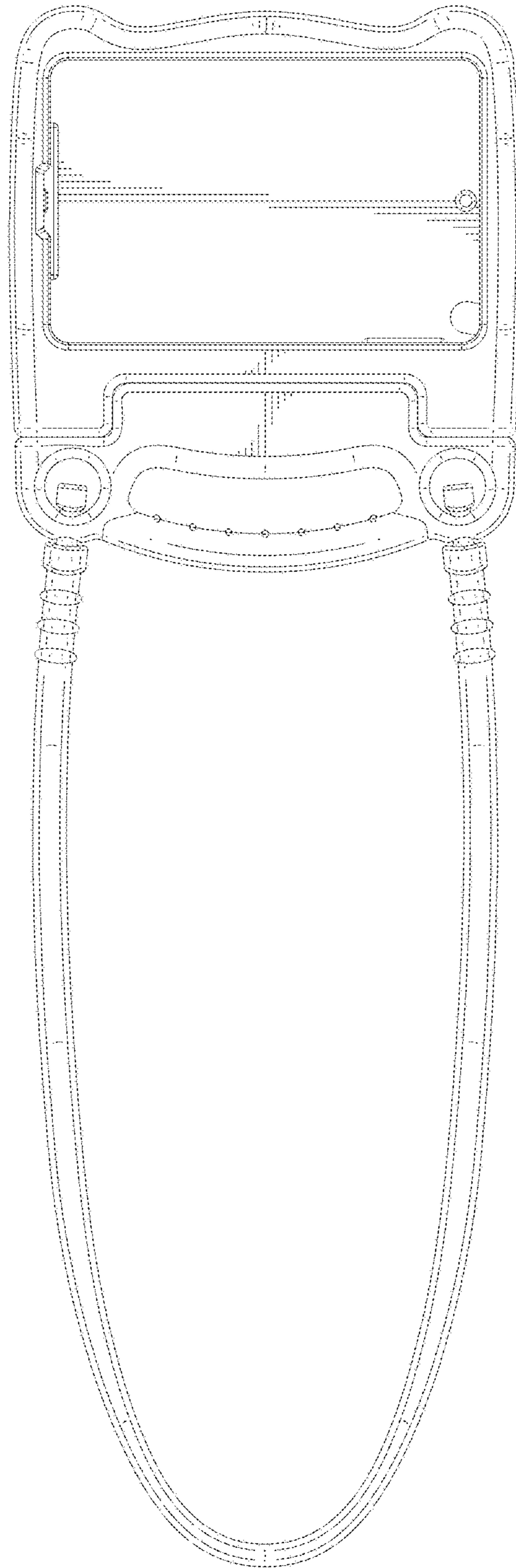


FIG.3

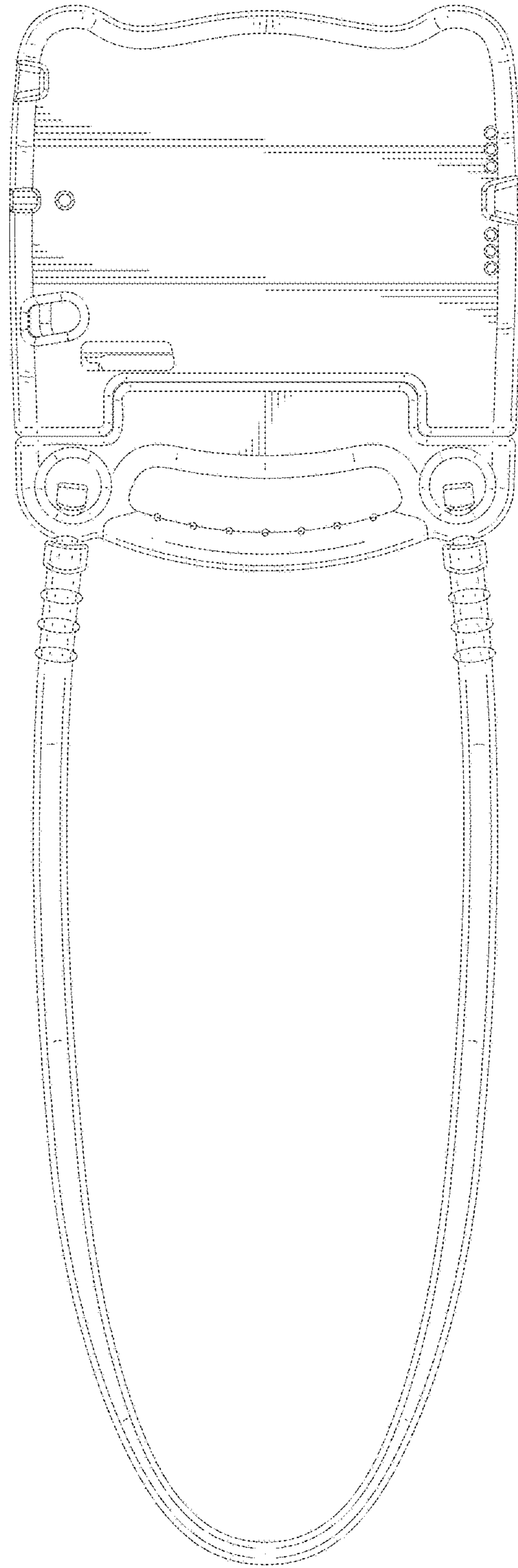


FIG.4

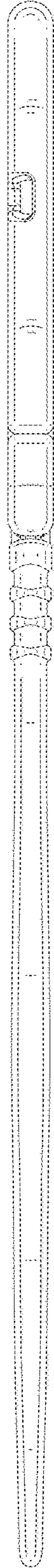


FIG.5

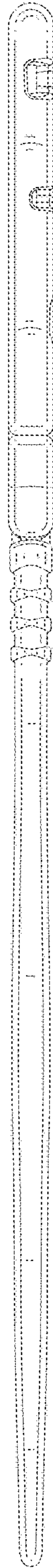


FIG.6



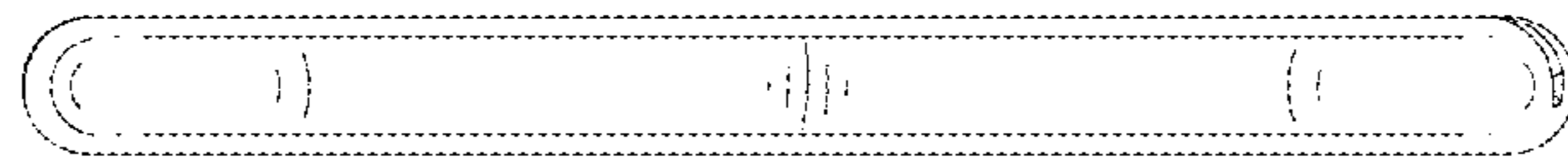


FIG.7

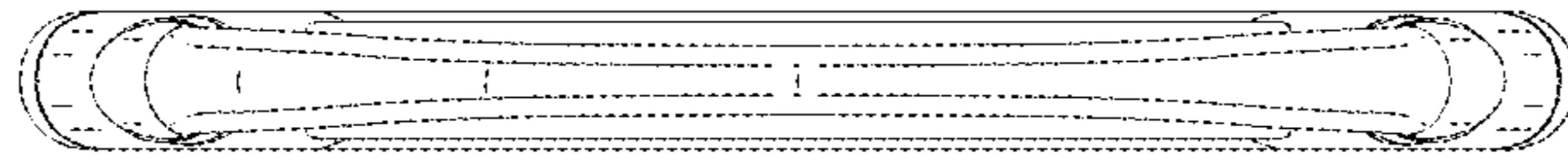


FIG.8

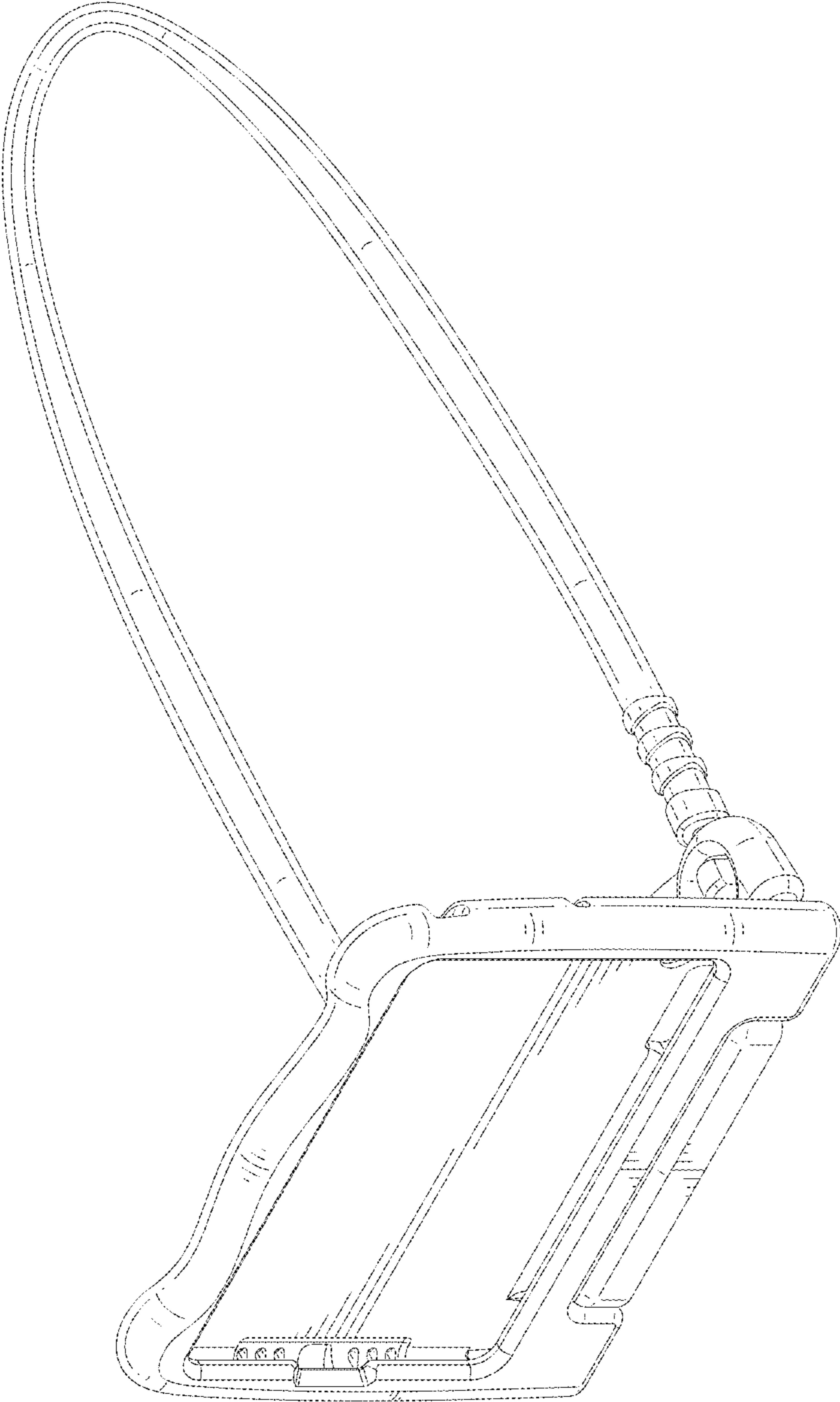


FIG.9