



US00D835622S

(12) **United States Design Patent**  
**Miller et al.**

(10) **Patent No.:** **US D835,622 S**

(45) **Date of Patent:** **\*\* Dec. 11, 2018**

(54) **HEAD-MOUNTED DISPLAY**

(71) Applicant: **Facebook Technologies, LLC**, Menlo Park, CA (US)

(72) Inventors: **Robin Michael Miller**, Redmond, WA (US); **Michael Xingyi Yu**, Mountain View, CA (US); **Mark Alan Tempel**, Issaquah, WA (US); **Adam Hewko**, Kirkland, WA (US); **Joseph P. Sullivan**, Palo Alto, CA (US)

(73) Assignee: **Facebook Technologies, LLC**, Menlo Park, CA (US)

(\*\*) Term: **15 Years**

(21) Appl. No.: **29/601,458**

(22) Filed: **Apr. 21, 2017**

(51) **LOC (11) Cl.** ..... **14-02**

(52) **U.S. Cl.**  
USPC ..... **D14/372**

(58) **Field of Classification Search**  
USPC ..... D14/372, 496, 432, 371, 125, 126, 129, D14/299; D16/300-342; 351/158, 153, 351/144; 345/7-9, 905; 455/344; 348/115, 53, 121, 739  
CPC ..... G02B 27/017; G02B 27/0158; G02B 27/0161; G02B 27/0181; G02B 27/0185; G02B 27/0189

See application file for complete search history.

(56) **References Cited**

**U.S. PATENT DOCUMENTS**

D615,541 S \* 5/2010 Hamilton ..... D14/356  
7,775,566 B2 \* 8/2010 Hanjono ..... B60R 7/06  
292/202  
D709,908 S \* 7/2014 Wujcik ..... D14/487  
D727,960 S \* 4/2015 Chaudhri ..... D14/489  
D738,374 S \* 9/2015 Luckey ..... D14/372

D738,887 S \* 9/2015 Ma ..... D14/485  
D738,907 S \* 9/2015 Cabrera-Cordon ..... D14/488  
D741,321 S \* 10/2015 Iida ..... D14/372  
D764,520 S \* 8/2016 Lee ..... D14/488  
D765,486 S \* 9/2016 Evans ..... D8/93  
9,599,822 B2 \* 3/2017 Yoon ..... G02B 3/08  
D791,127 S \* 7/2017 Sullivan ..... D14/372  
D791,129 S \* 7/2017 Sullivan ..... D14/372  
D791,786 S \* 7/2017 Chaudhri ..... D14/485  
D792,399 S \* 7/2017 Thomas ..... D14/372  
D792,427 S \* 7/2017 Weaver ..... D14/485  
9,706,286 B1 \* 7/2017 Patel ..... H04R 1/105  
D797,798 S \* 9/2017 Sato ..... D14/491

(Continued)

*Primary Examiner* — Austin Murphy

(74) *Attorney, Agent, or Firm* — Fenwick & West LLP

(57) **CLAIM**

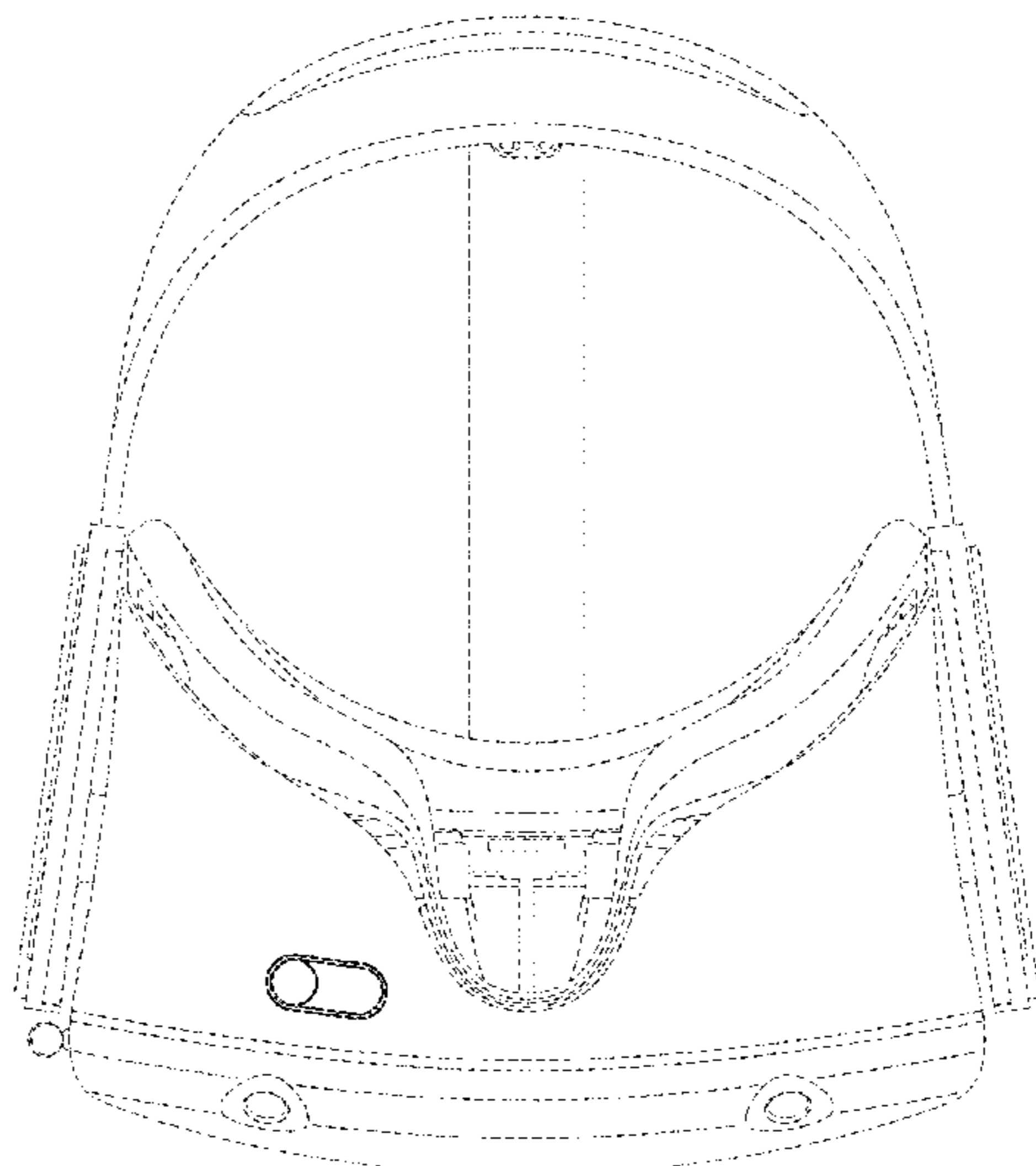
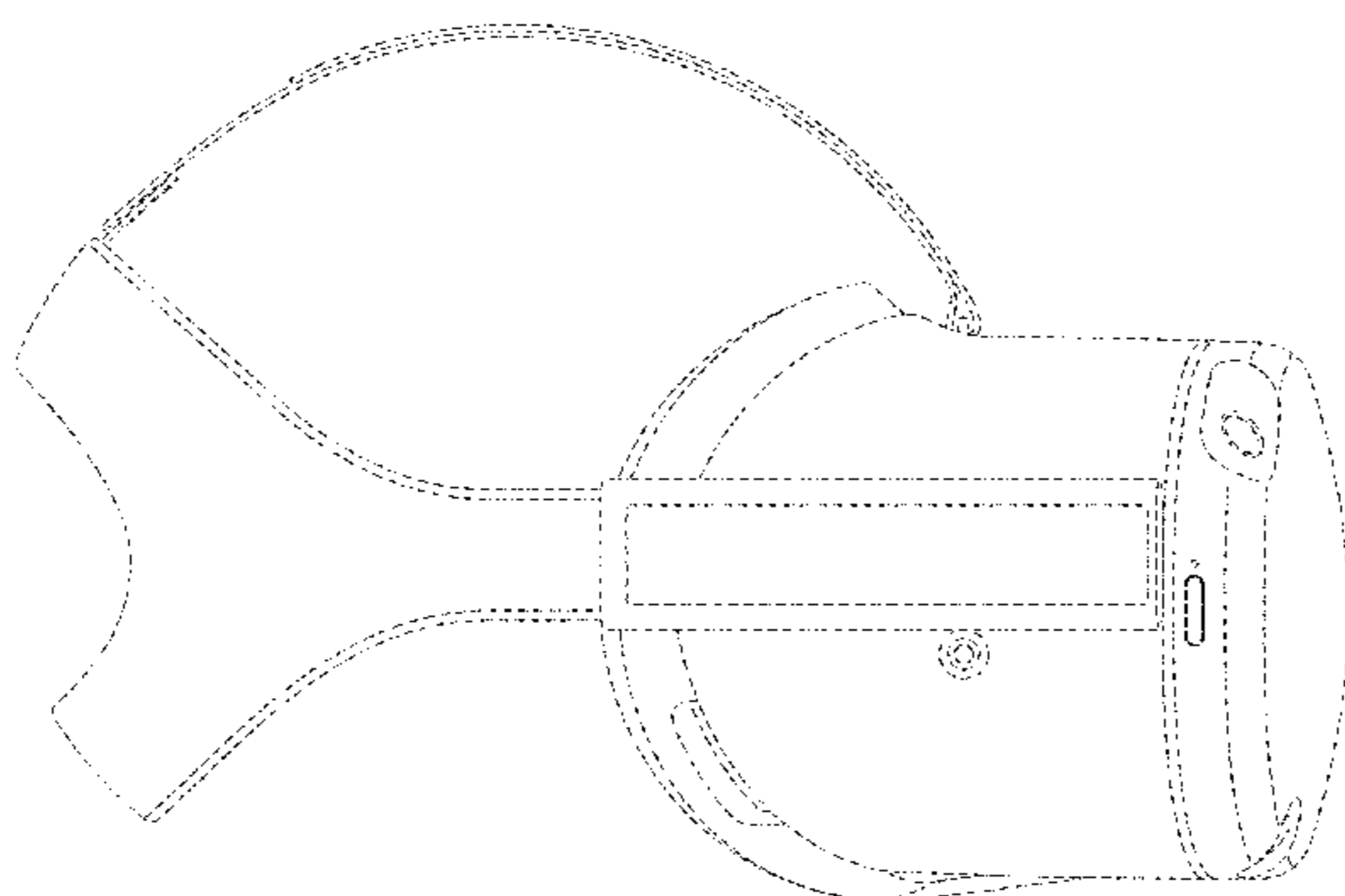
The ornamental design for a head-mounted display, as shown and described.

**DESCRIPTION**

FIG. 1 is a perspective view of a first embodiment of a head-mounted display;  
FIG. 2 is a front view thereof;  
FIG. 3 is a rear view thereof;  
FIG. 4 is a left side view thereof;  
FIG. 5 is a right side view thereof;  
FIG. 6 is a top view thereof; and  
FIG. 7 is a bottom view thereof.  
FIG. 8 is a perspective view of a second embodiment of a head mounted display;  
FIG. 9 is a front view thereof;  
FIG. 10 is a rear view thereof;  
FIG. 11 is a left side view thereof;  
FIG. 12 is a right side view thereof;  
FIG. 13 is a top view thereof; and,  
FIG. 14 is a bottom view thereof.

The broken lines in the figures form no part of the claimed design.

**1 Claim, 14 Drawing Sheets**



(56)

**References Cited**

## U.S. PATENT DOCUMENTS

D800,117 S \* 10/2017 Yee ..... D14/372  
9,776,084 B2 \* 10/2017 Allin ..... A63F 13/26  
D801,970 S \* 11/2017 Sullivan ..... D14/372  
D802,607 S \* 11/2017 Apodaca ..... D14/485  
9,810,911 B2 \* 11/2017 Miller ..... F16M 13/00  
9,832,561 B2 \* 11/2017 Morris ..... H04R 1/1066  
D806,073 S \* 12/2017 Li ..... D14/372  
9,837,043 B1 \* 12/2017 Patel ..... G09G 5/006  
9,846,483 B2 \* 12/2017 Petrov ..... G06F 3/015  
D807,354 S \* 1/2018 Yee ..... D14/372  
D808,995 S \* 1/2018 Weaver ..... D14/486  
9,857,596 B2 \* 1/2018 Drinkwater ..... G02B 27/0176  
D810,743 S \* 2/2018 Yee ..... D14/372  
9,927,618 B2 \* 3/2018 Allin ..... G02B 27/0176  
D815,637 S \* 4/2018 Li ..... D14/372  
D819,635 S \* 6/2018 Miller ..... D14/372  
D822,715 S \* 7/2018 Feng ..... D14/492  
D825,609 S \* 8/2018 Andrizzi ..... D14/487  
D826,255 S \* 8/2018 Andrizzi ..... D14/487  
D828,836 S \* 9/2018 Ellis ..... D14/372

\* cited by examiner

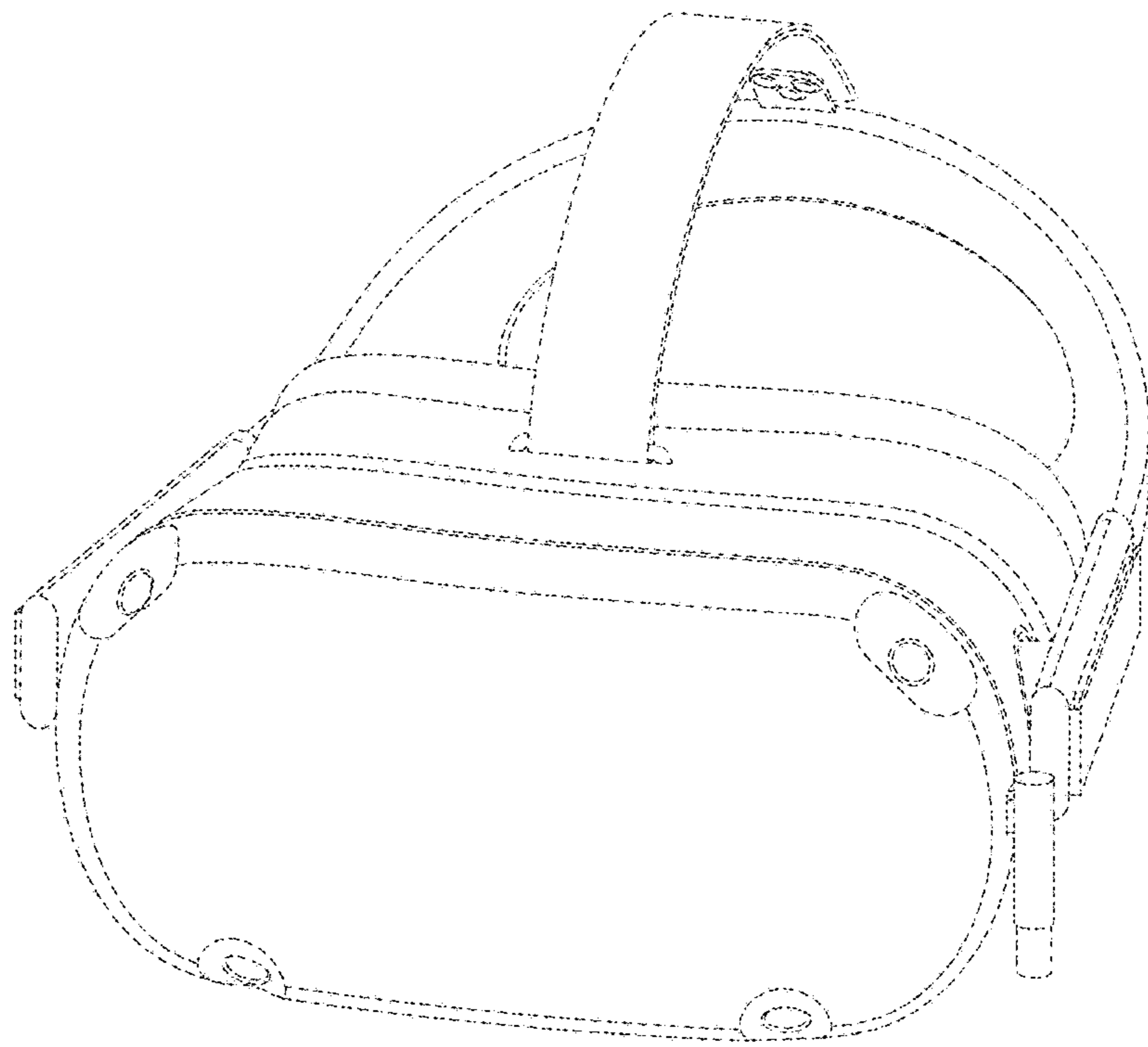


FIG. 1

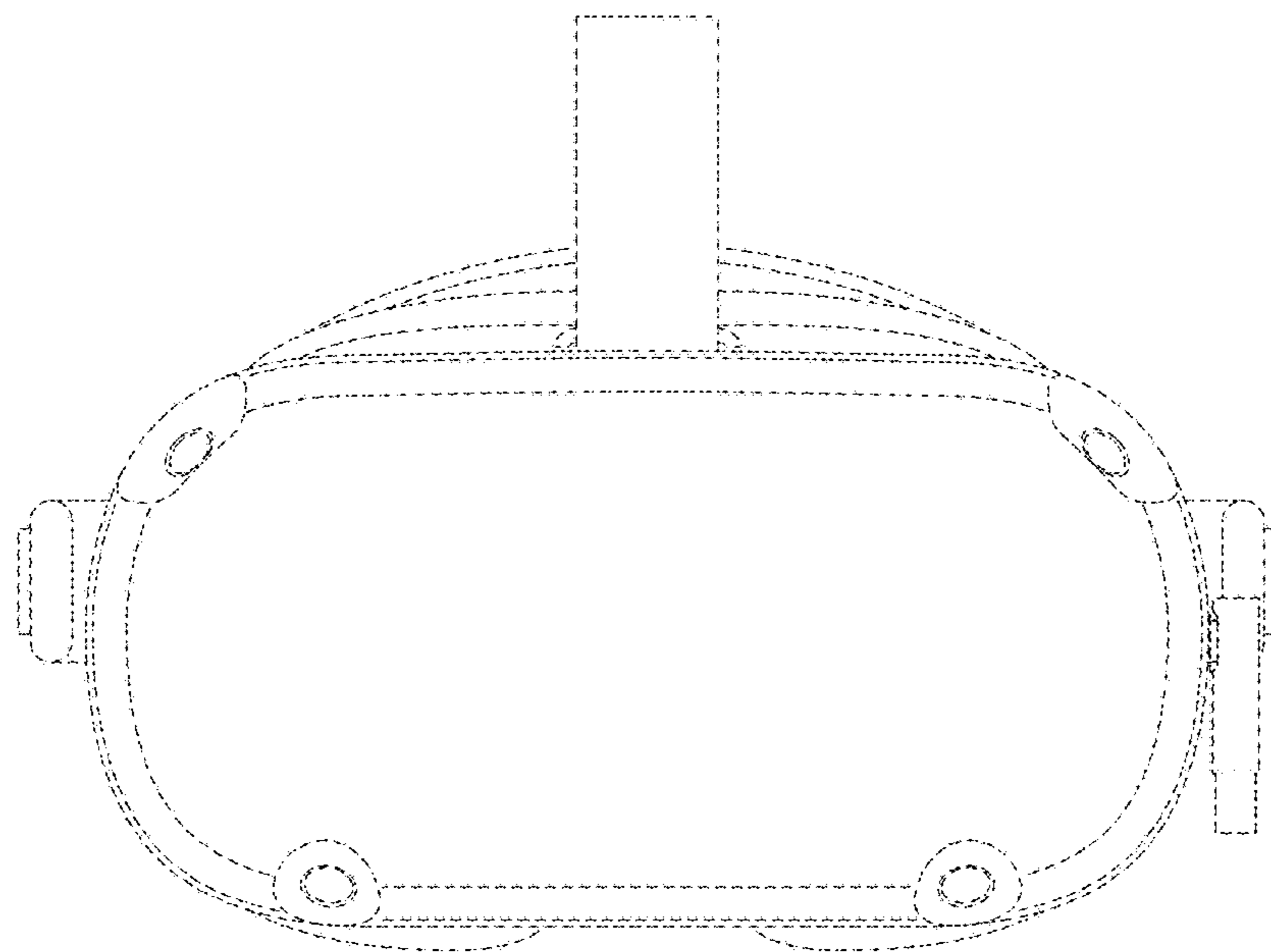


FIG. 2

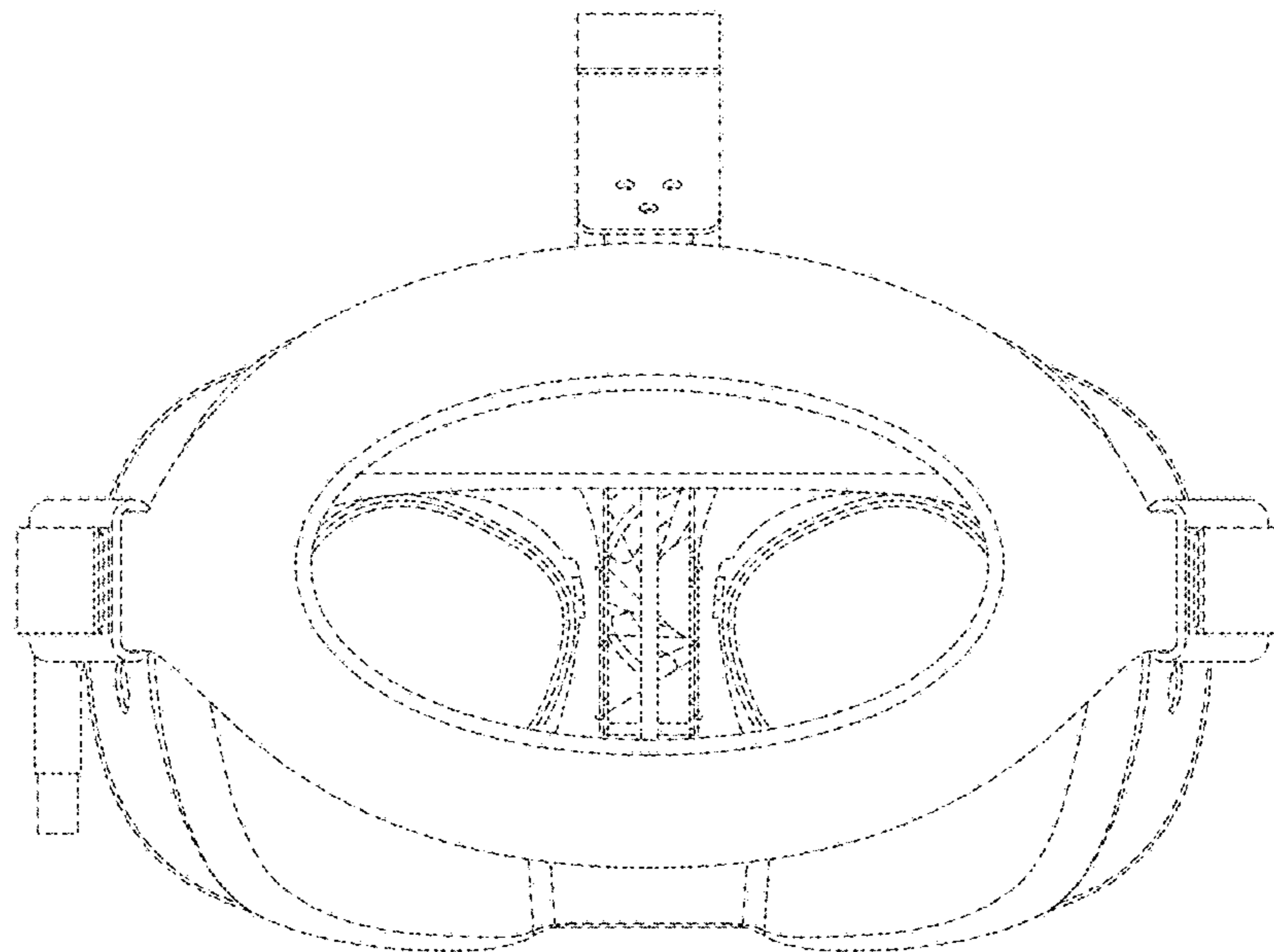


FIG. 3

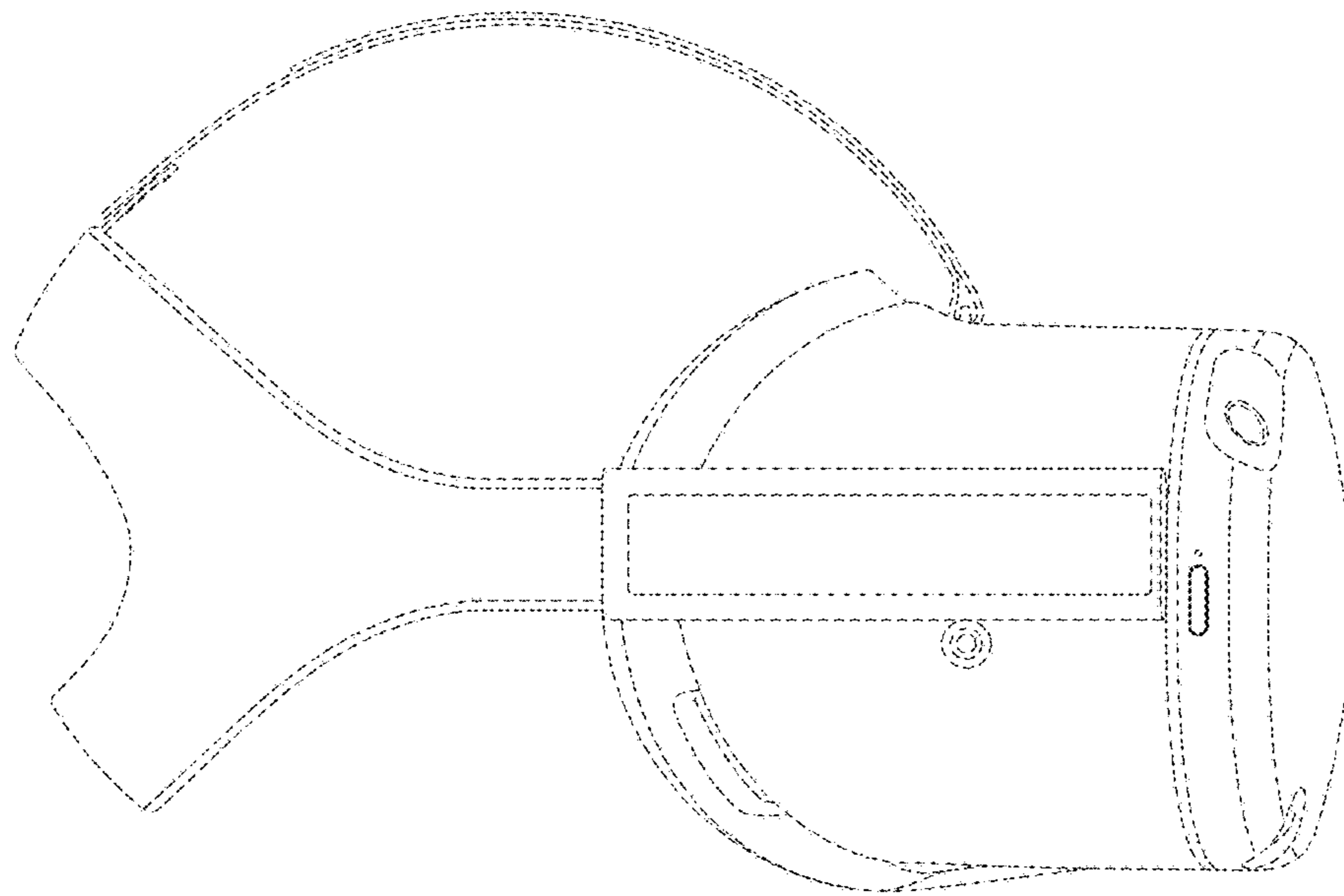


FIG. 4

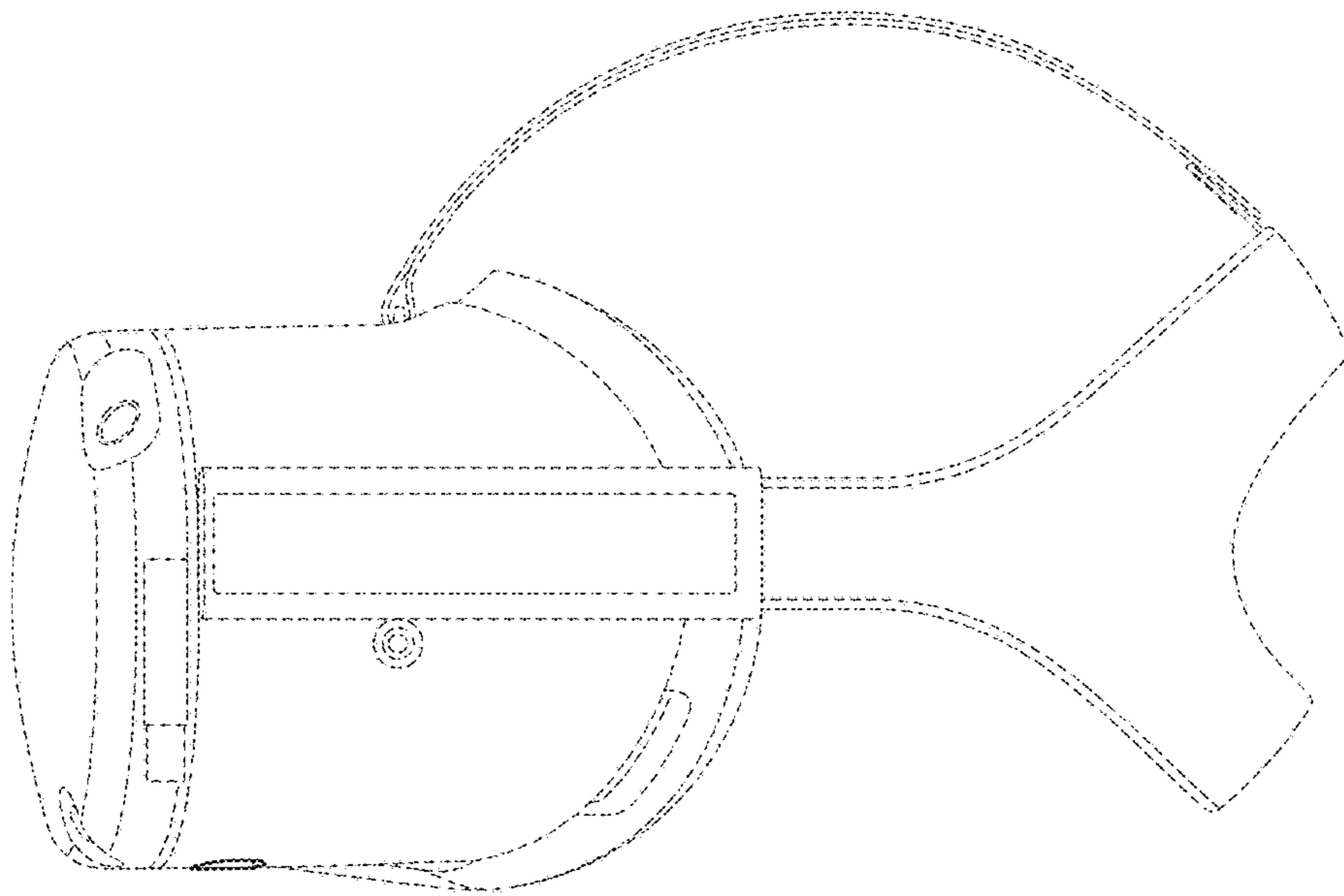


FIG. 5

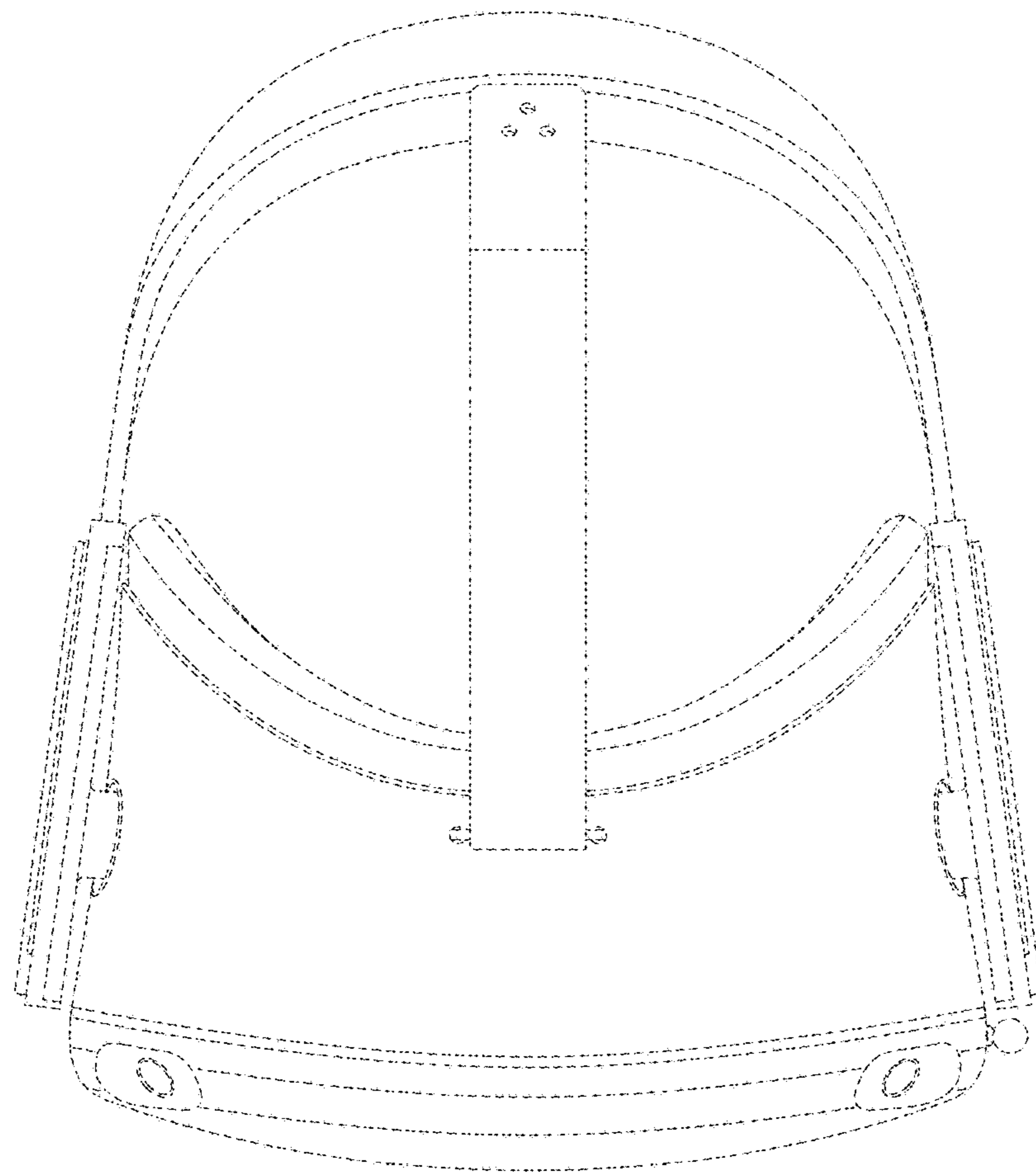


FIG. 6



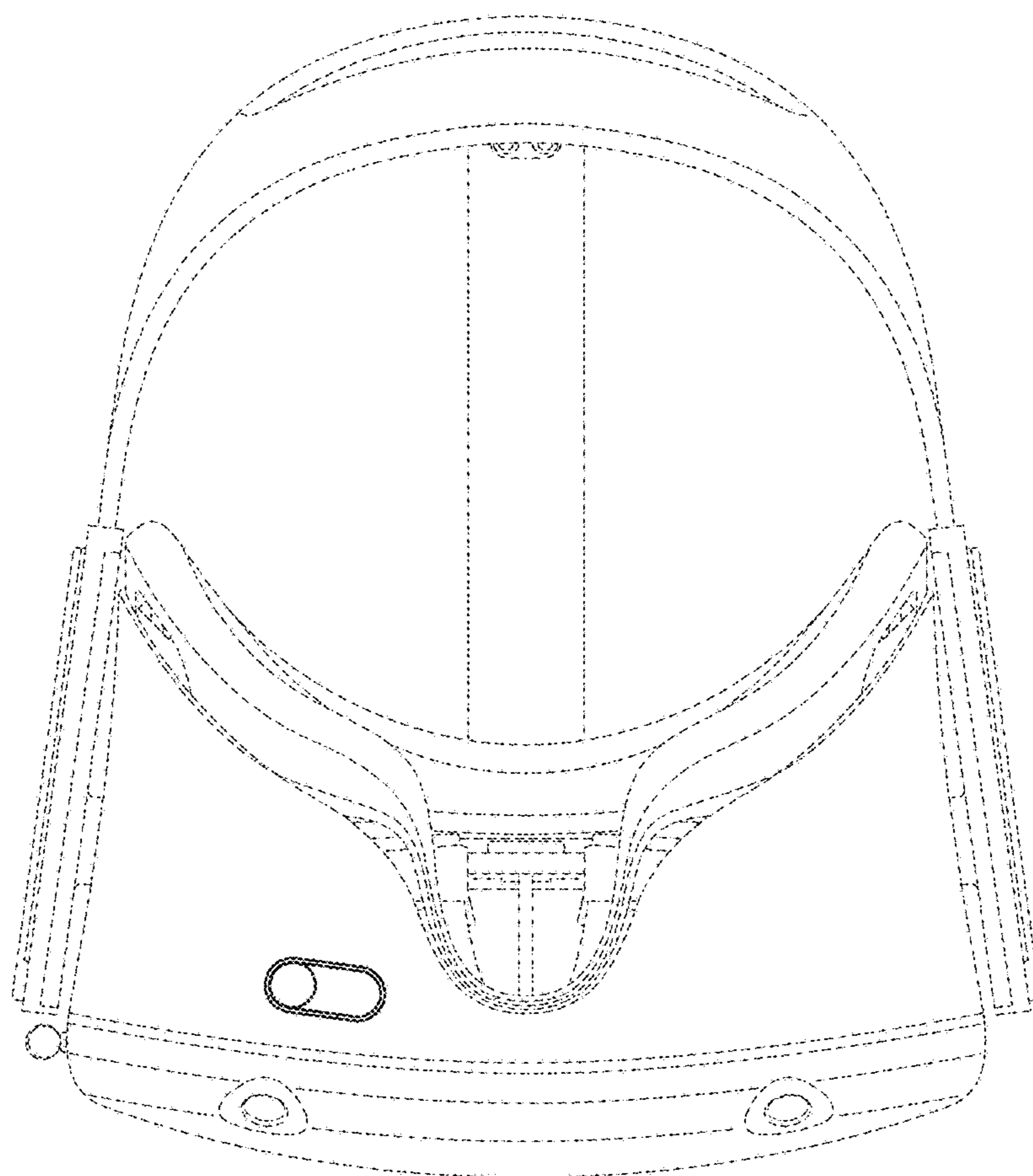


FIG. 7



FIG. 8

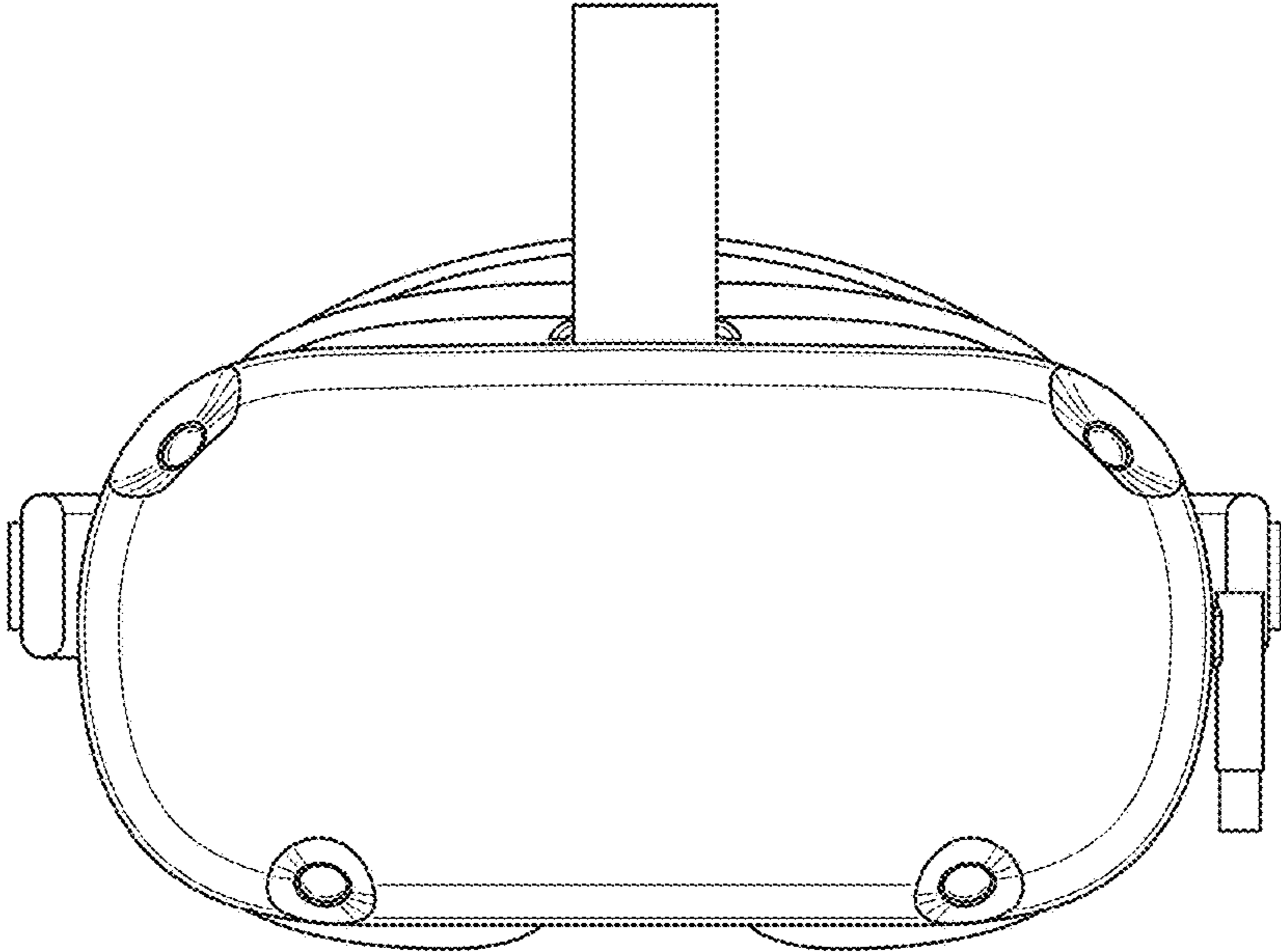


FIG. 9

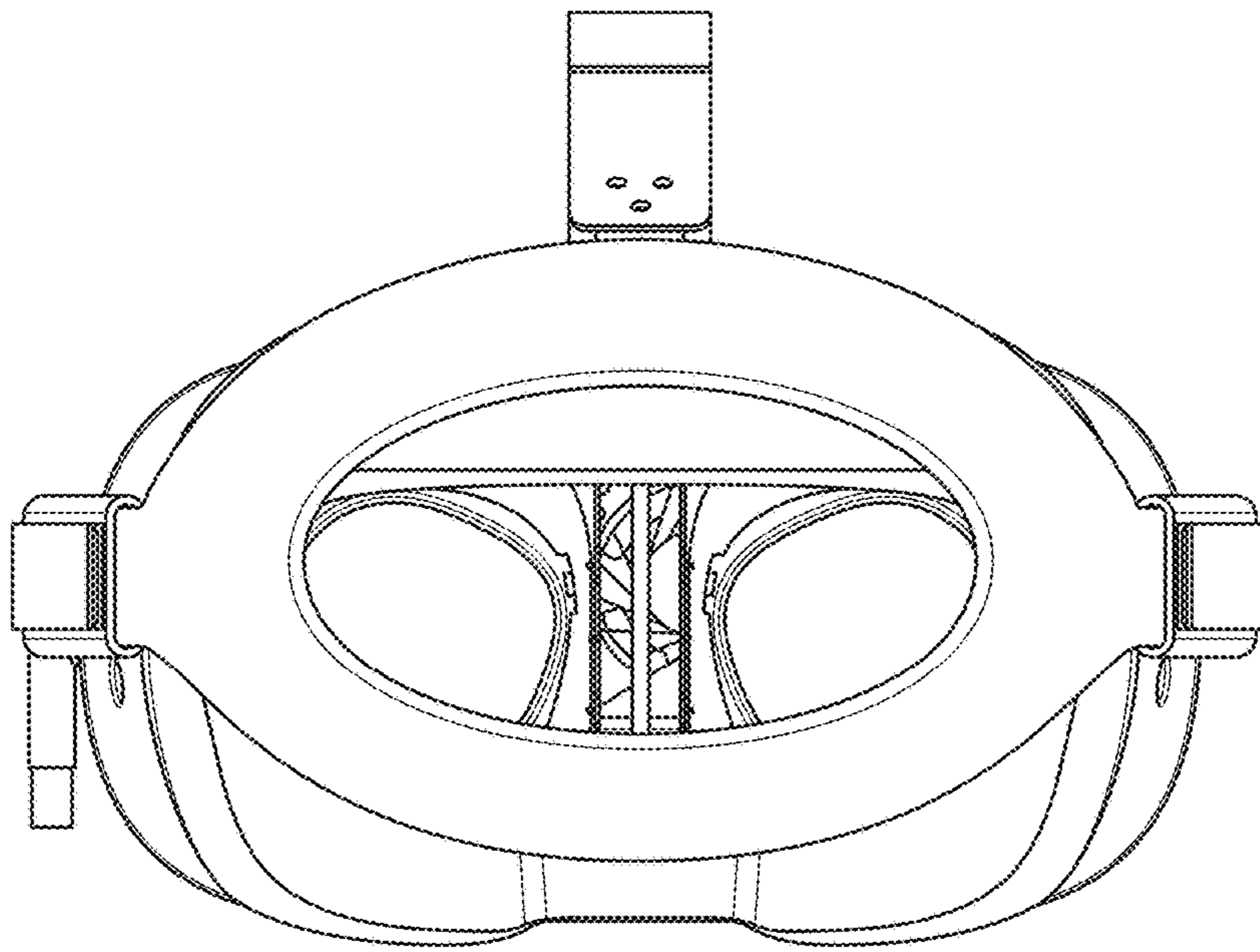


FIG. 10

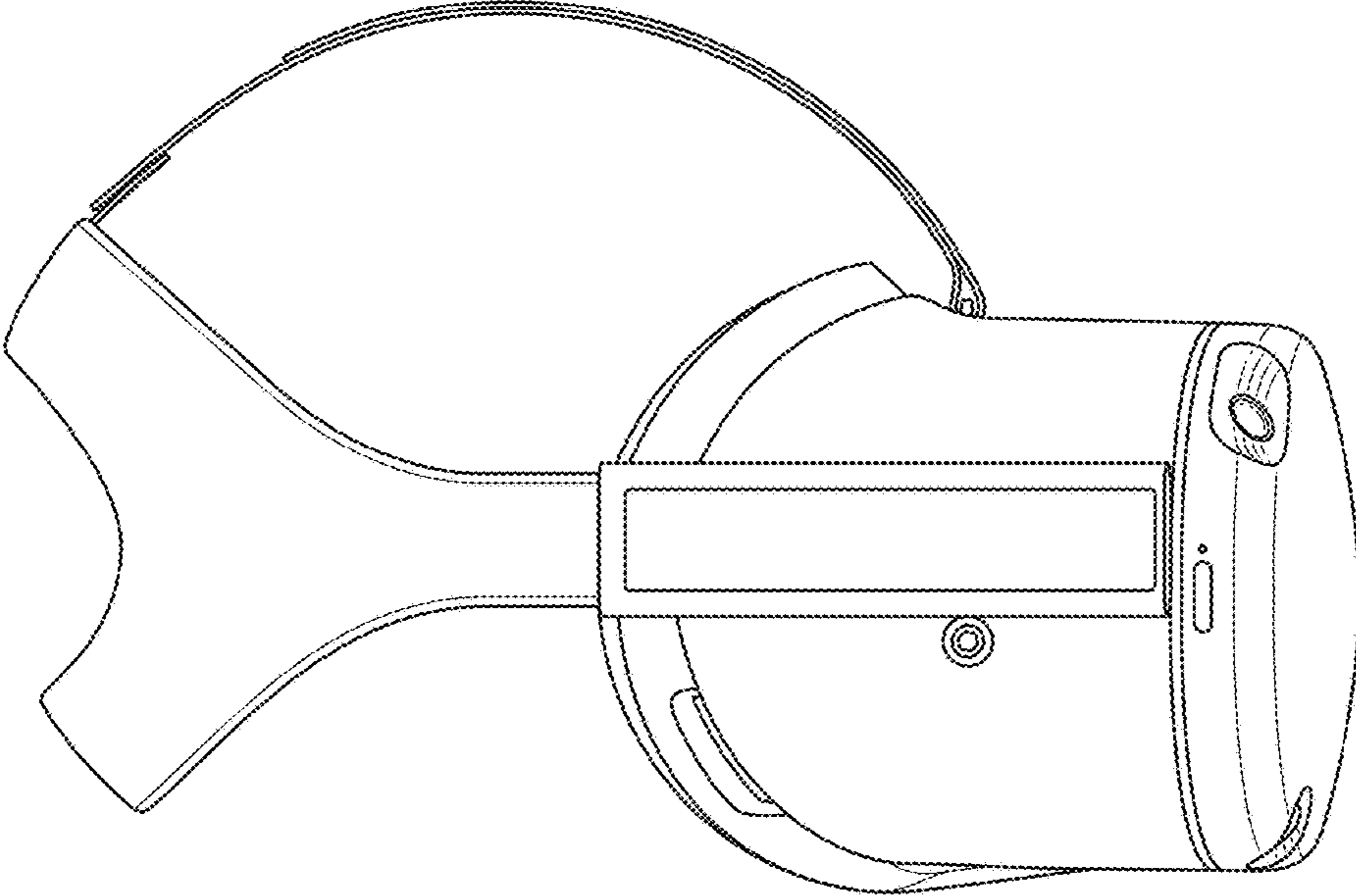


FIG. 11

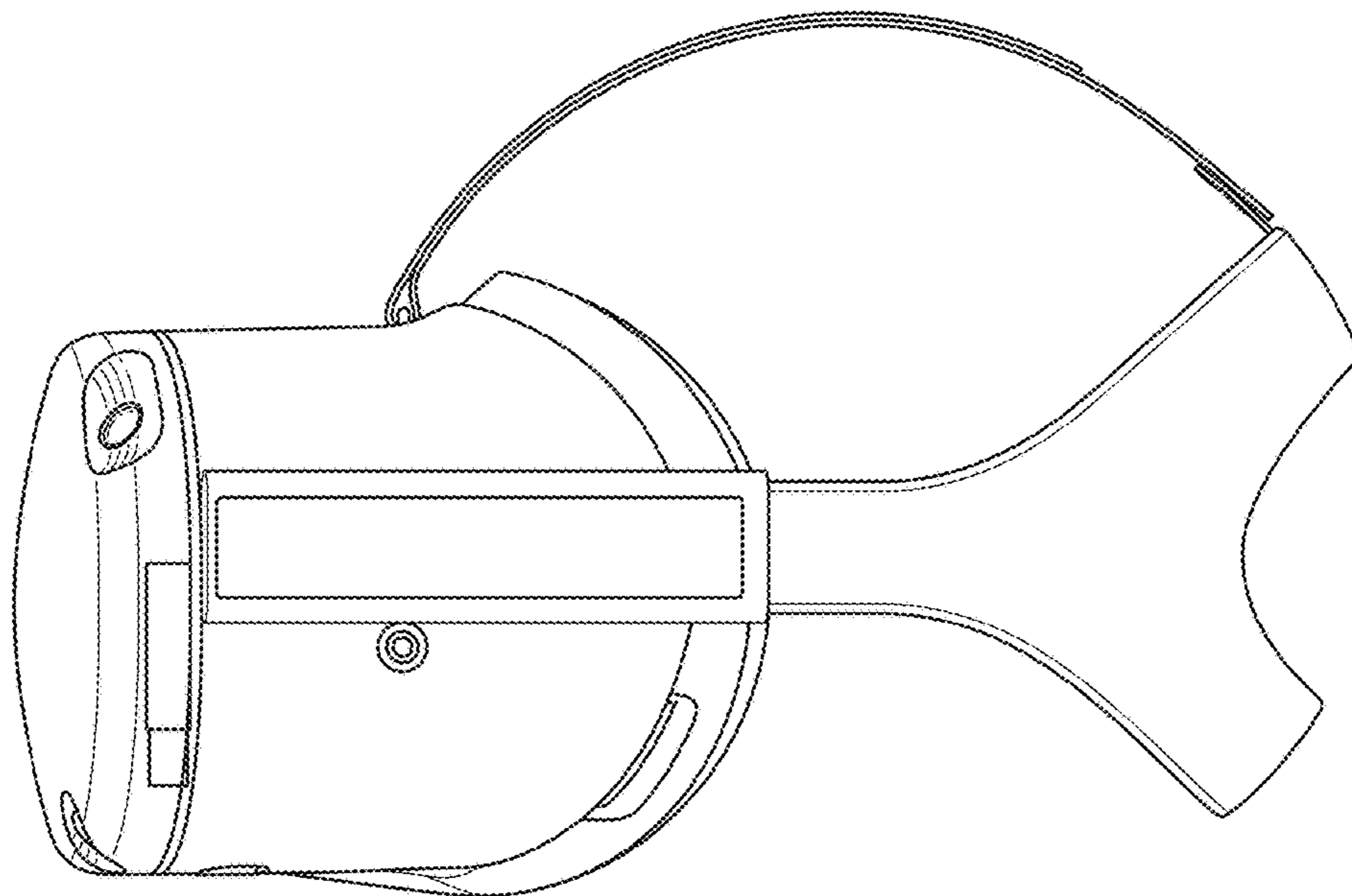


FIG. 12

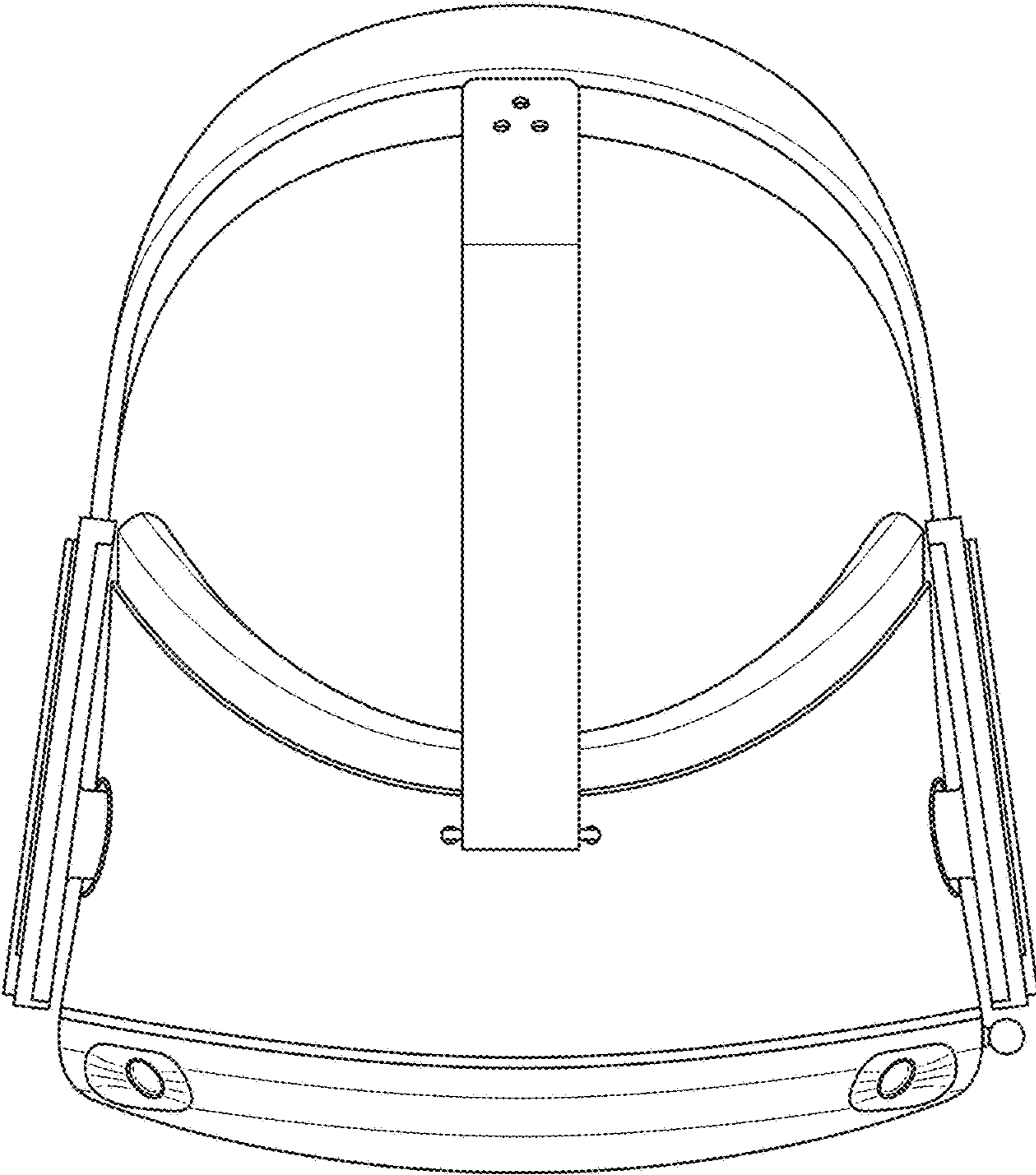


FIG. 13

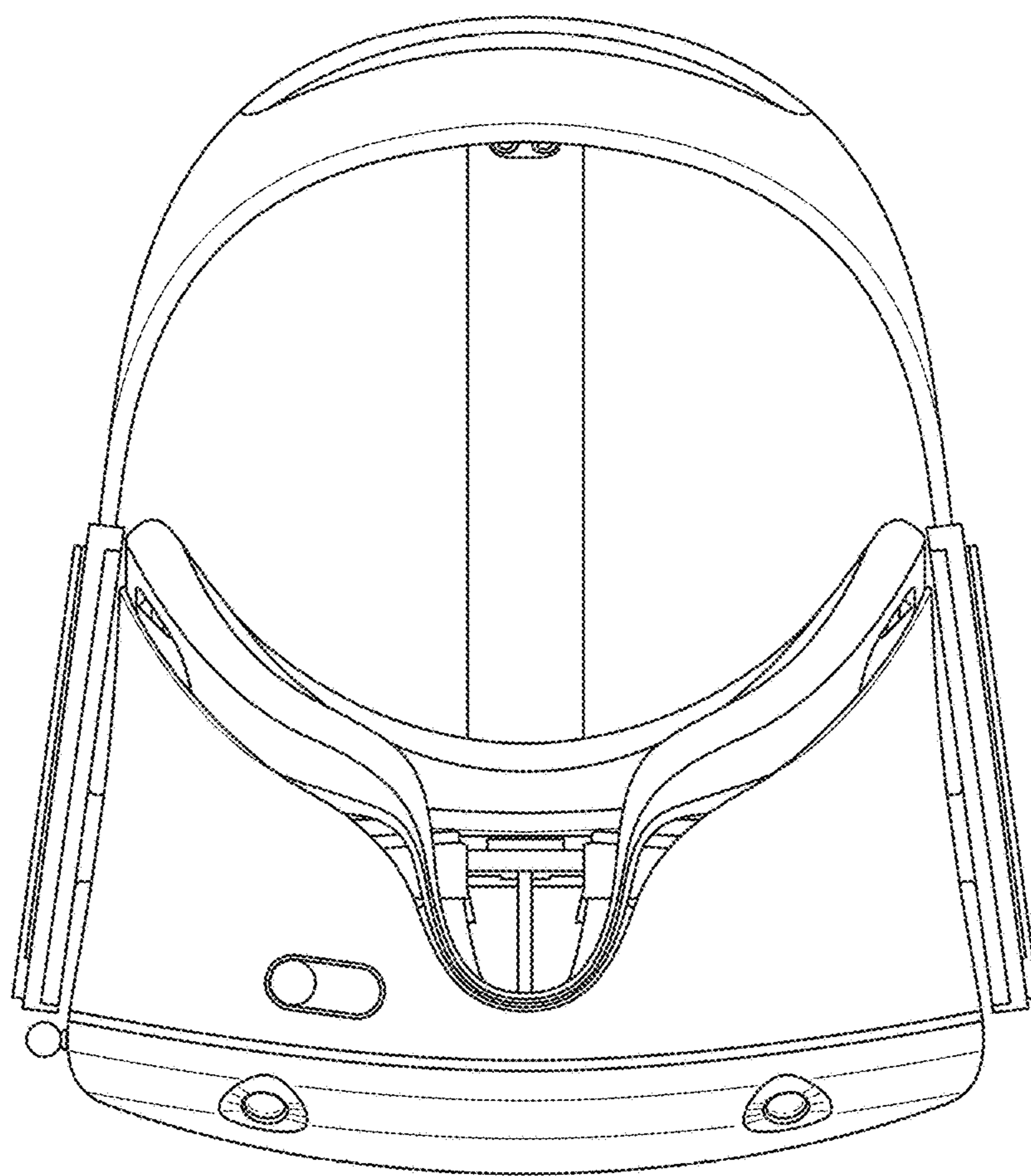


FIG. 14