



US00D835620S

(12) **United States Design Patent** (10) **Patent No.:** **US D835,620 S**  
**Akana et al.** (45) **Date of Patent:** **\*\* Dec. 11, 2018**

(54) **ELECTRONIC DEVICE**

(71) Applicant: **Apple Inc.**, Cupertino, CA (US)

(72) Inventors: **Jody Akana**, San Francisco, CA (US); **Bartley K. Andre**, Palo Alto, CA (US); **Jeremy Bataillou**, San Francisco, CA (US); **Daniel J. Coster**, San Francisco, CA (US); **Daniele De Iuliis**, San Francisco, CA (US); **M. Evans Hankey**, San Francisco, CA (US); **Julian Hoenig**, San Francisco, CA (US); **Richard P. Howarth**, San Francisco, CA (US); **Jonathan P. Ive**, San Francisco, CA (US); **Duncan Robert Kerr**, San Francisco, CA (US); **Shin Nishibori**, Kailua, HI (US); **Matthew Dean Rohrbach**, San Francisco, CA (US); **Peter Russell-Clarke**, San Francisco, CA (US); **Christopher J. Stringer**, Woodside, CA (US); **Eugene Antony Whang**, San Francisco, CA (US); **Rico Zörkendörfer**, San Francisco, CA (US)

(73) Assignee: **Apple Inc.**, Cupertino, CA (US)

(\*\*) Term: **15 Years**

(21) Appl. No.: **29/592,182**

(22) Filed: **Jan. 27, 2017**

**Related U.S. Application Data**

(63) Continuation of application No. 29/542,300, filed on Oct. 13, 2015, which is a continuation of application (Continued)

(51) **LOC (11) Cl.** ..... **14-02**

(52) **U.S. Cl.**  
USPC ..... **D14/341; D14/248**

(58) **Field of Classification Search**

USPC ..... D14/341-347, 137, 138 AA, 138 AB, D14/138 C, 138 G, 138 R, 203.3, 203.4, (Continued)

(56) **References Cited**

**U.S. PATENT DOCUMENTS**

D558,756 S 1/2008 Andre et al.  
D558,757 S 1/2008 Andre et al.  
(Continued)

**FOREIGN PATENT DOCUMENTS**

CN 300928488 S 5/2009  
CN 301134880 S 2/2010  
(Continued)

**OTHER PUBLICATIONS**

Apple iPhone 5 pictures, as posted at GsmArena.com [online], released Sep. 2012 [site visited Apr. 27, 2017]. Available on the Internet, <URL: [http://www.gsmarena.com/apple\\_iphone\\_5-pictures-4910.php#image15](http://www.gsmarena.com/apple_iphone_5-pictures-4910.php#image15)>.\*

(Continued)

*Primary Examiner* — Jeffrey D Asch

*Assistant Examiner* — Rebekah A Caruso

(74) *Attorney, Agent, or Firm* — Sterne, Kessler, Goldstein & Fox P.L.L.C.

(57) **CLAIM**

The ornamental design for an electronic device, as shown and described.

**DESCRIPTION**

FIG. 1 is a bottom front perspective view of an electronic device showing the claimed design;  
FIG. 2 is a bottom rear perspective view thereof;  
FIG. 3 is a top front perspective view thereof;  
FIG. 4 is a top rear perspective view thereof;  
FIG. 5 is a front view thereof;  
FIG. 6 is a rear view thereof;

(Continued)

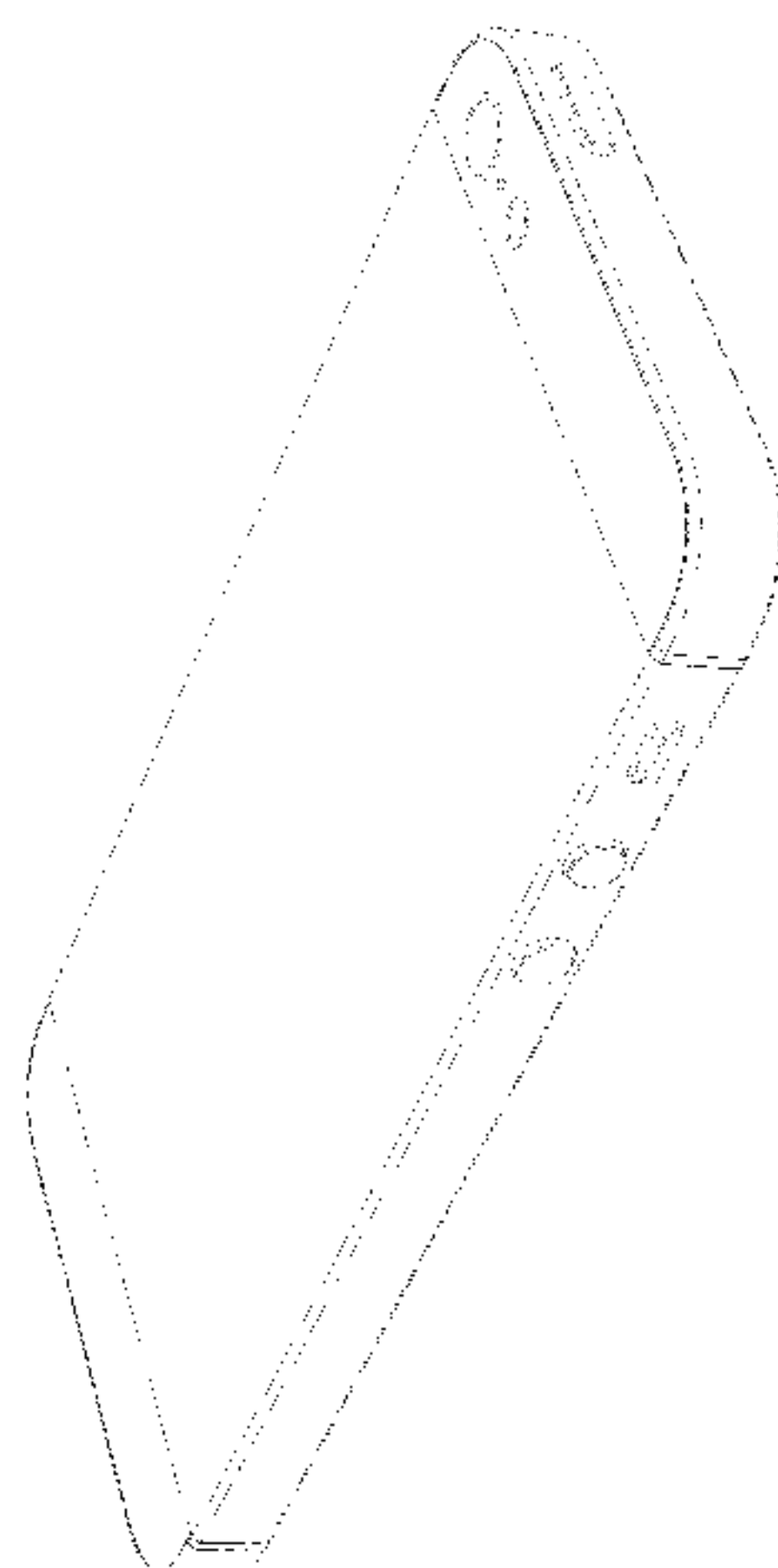


FIG. 7 is a top view thereof;  
 FIG. 8 is a bottom view thereof;  
 FIG. 9 is a left side view thereof; and,  
 FIG. 10 is a right side view thereof.  
 The shade lines in the Figures show contour and not surface ornamentation.  
 The dashed broken lines in the figures show portions of the electronic device that form no part of the claimed design.

**1 Claim, 8 Drawing Sheets**

**Related U.S. Application Data**

No. 29/457,962, filed on Jun. 14, 2013, now Pat. No. Des. 749,563, which is a continuation of application No. 29/431,553, filed on Sep. 7, 2012, now Pat. No. Des. 684,571, application No. 29/592,182, which is a continuation of application No. 29/586,519, filed on Dec. 5, 2016, which is a continuation of application No. 29/493,571, filed on Jun. 11, 2014, now Pat. No. Des. 773,453, which is a continuation of application No. 29/423,180, filed on May 29, 2012, now Pat. No. Des. 707,223.

(58) **Field of Classification Search**

USPC ..... D14/203.7, 218, 248, 426; D18/6; D21/329, 517  
 CPC .... G06F 1/1613; G06F 1/1615; G06F 1/1626; G06F 1/1633; G06F 1/1641; G06F 1/1647; G06F 3/04883; G06F 3/0486; G06F 3/04845; G06F 3/04847; G06F 3/04817; G06F 3/0484; G06F 3/04886; H04M 1/0202; H04M 1/0279; H04M 1/0281; H04M 1/0283; A63H 33/3016  
 See application file for complete search history.

(56) **References Cited**

U.S. PATENT DOCUMENTS

D580,387 S 11/2008 Andre et al.  
 D597,067 S \* 7/2009 Oh ..... D14/203.7  
 D603,834 S \* 11/2009 Lyman ..... D14/155  
 D608,750 S 1/2010 He et al.  
 D613,736 S \* 4/2010 Andre ..... D14/341  
 D627,778 S \* 11/2010 Akana ..... D14/341  
 D631,028 S 1/2011 Park et al.  
 D631,458 S 1/2011 Liao et al.  
 D633,461 S \* 3/2011 Kim ..... D14/138 AD  
 D633,493 S \* 3/2011 Akana ..... D14/341  
 D633,908 S \* 3/2011 Akana ..... D14/341  
 D635,113 S 3/2011 Park et al.  
 D635,952 S \* 4/2011 Park ..... D14/138 G  
 D636,392 S \* 4/2011 Akana ..... D14/341  
 D636,752 S 4/2011 Liao et al.  
 D653,645 S \* 2/2012 Park ..... D14/138 G  
 D668,627 S 10/2012 Chung  
 D671,905 S 12/2012 Mauritzson  
 D671,937 S \* 12/2012 Akana ..... D14/341  
 D672,343 S \* 12/2012 Akana ..... D14/341  
 D676,432 S 2/2013 Hasbrook et al.  
 D677,642 S 3/2013 Park  
 D677,657 S \* 3/2013 Akana ..... D14/341  
 D680,984 S 4/2013 Harmon et al.  
 D680,995 S 4/2013 Lee  
 D683,711 S \* 6/2013 Hofer ..... D14/138 G

D684,571 S \* 6/2013 Akana ..... D14/341  
 D687,793 S 8/2013 Park  
 D688,660 S \* 8/2013 Akana ..... D14/341  
 D690,693 S \* 10/2013 Akana ..... D14/341  
 D691,133 S \* 10/2013 Akana ..... D14/341  
 D693,324 S \* 11/2013 Wang ..... D14/138 G  
 8,640,868 B2 2/2014 O'Dowd et al.  
 D706,776 S \* 6/2014 Akana ..... D14/341  
 D707,223 S \* 6/2014 Akana ..... D14/341  
 D712,405 S 9/2014 Akana et al.  
 8,879,245 B2 11/2014 Kim  
 8,933,347 B2 1/2015 Kiple  
 8,989,826 B1 3/2015 Connolly  
 D732,497 S \* 6/2015 Lee ..... D14/138 G  
 D732,539 S \* 6/2015 Akana ..... D14/439  
 D733,146 S \* 6/2015 Akana ..... D14/439  
 D739,391 S \* 9/2015 Chen ..... D14/248  
 D742,351 S \* 11/2015 Chen ..... D14/138 G  
 D743,391 S \* 11/2015 Akana ..... D14/341  
 D749,563 S \* 2/2016 Akana ..... D14/341  
 D750,620 S \* 3/2016 Zhai ..... D14/203.7  
 D750,729 S \* 3/2016 Sheikh ..... D22/117  
 D752,037 S \* 3/2016 Akana ..... D14/341  
 9,274,142 B2 \* 3/2016 Nickel ..... G01R 1/07  
 D754,125 S \* 4/2016 Akana ..... D14/341  
 D759,008 S \* 6/2016 Akana ..... D14/341  
 D760,217 S \* 6/2016 Akana ..... D14/341  
 D762,207 S \* 7/2016 Akana ..... D14/341  
 D770,411 S \* 11/2016 Zhang ..... D14/138 G  
 D771,607 S \* 11/2016 Kim ..... D14/250  
 D771,623 S \* 11/2016 Akana ..... D14/341  
 D772,865 S \* 11/2016 Akana ..... D14/341  
 D774,499 S 12/2016 Fathollahi  
 9,537,219 B2 \* 1/2017 Ayala Vazquez ... H01Q 9/0442  
 D779,484 S \* 2/2017 Akana ..... D14/341  
 9,577,318 B2 \* 2/2017 Pascolini ..... G06K 9/00006  
 9,594,147 B2 \* 3/2017 Han ..... G01R 29/0878  
 D792,386 S \* 7/2017 Lee ..... D14/248  
 D796,497 S \* 9/2017 Kim ..... D14/250  
 9,761,927 B2 \* 9/2017 Kasar ..... H01Q 1/243  
 D806,705 S \* 1/2018 Akana ..... D14/341  
 D810,715 S \* 2/2018 Cho ..... D14/138 G  
 2009/0247244 A1 \* 10/2009 Mittleman ..... H04M 1/035  
 455/575.1  
 2011/0268218 A1 \* 11/2011 Kang ..... G06F 3/0482  
 375/295  
 2012/0088555 A1 4/2012 Hu  
 2012/0168577 A1 \* 7/2012 Cheng ..... F16M 11/105  
 248/176.3  
 2012/0170189 A1 \* 7/2012 Li ..... F16M 11/22  
 361/679.01  
 2012/0329535 A1 12/2012 Kuo  
 2013/0321237 A1 \* 12/2013 Woodhull ..... B23P 11/00  
 343/872  
 2013/0331156 A1 12/2013 Lui

FOREIGN PATENT DOCUMENTS

CN 301139661 S 2/2010  
 CN 301161836 S 3/2010  
 CN 301271887 S 6/2010  
 CN 301794564 S 1/2012  
 IN 210894-0001 6/2007  
 IN 210897-0001 6/2007  
 KR 300606828000 7/2011

OTHER PUBLICATIONS

Identify your iPhone Model, Retrieved from the Internet URL:  
<https://support.apple.com/en-us/HT201296>.

\* cited by examiner



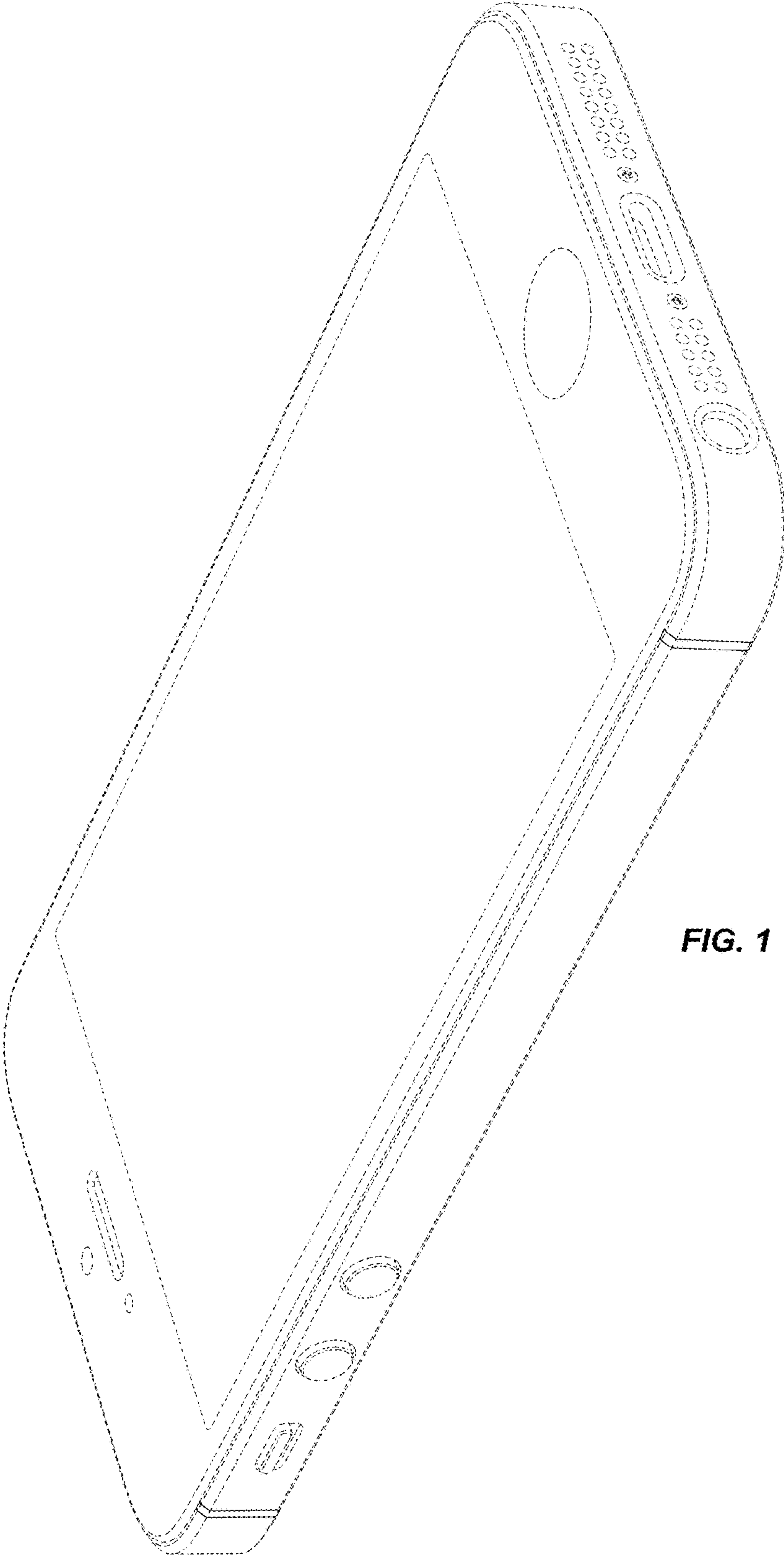


FIG. 1

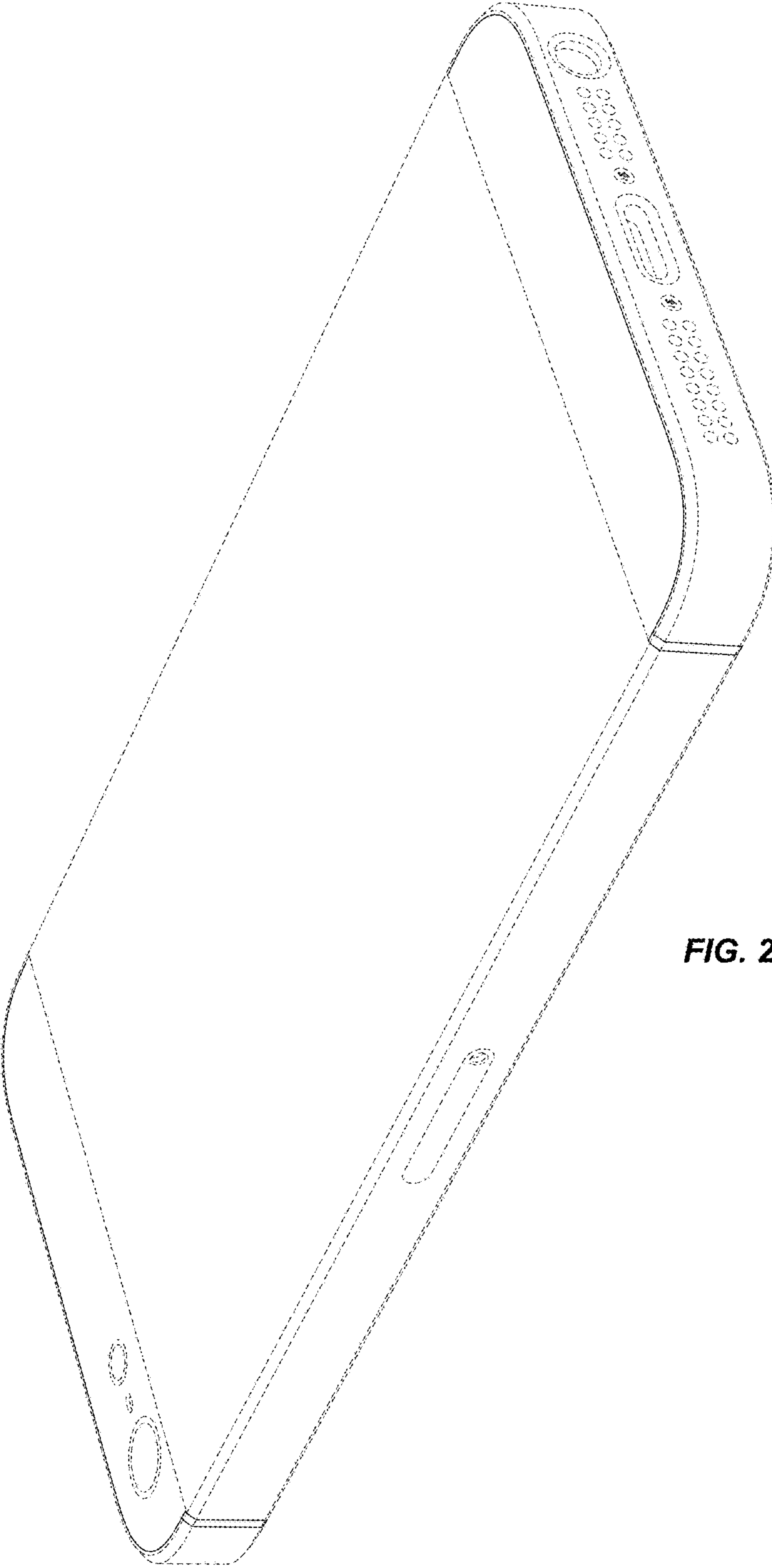
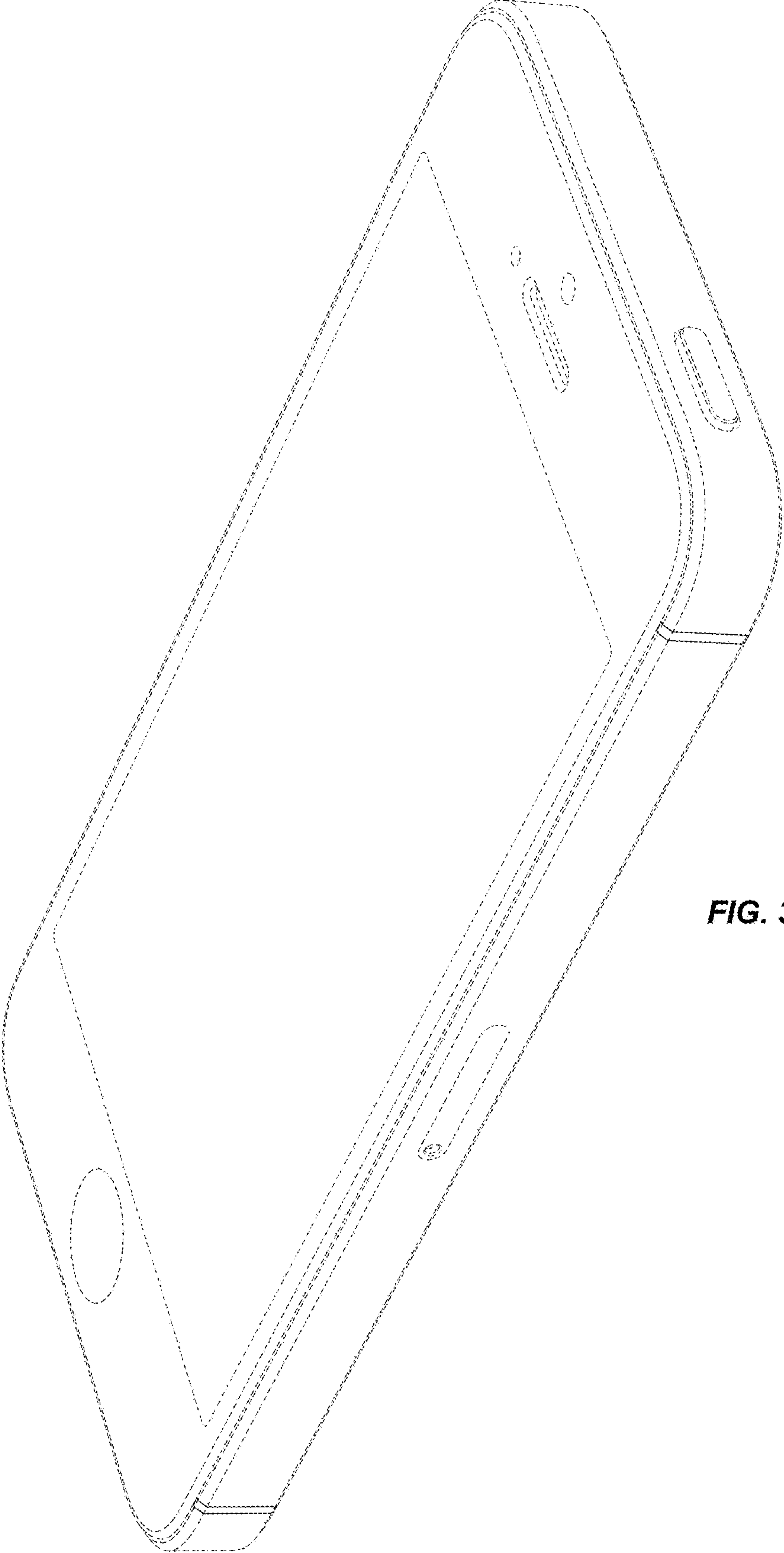


FIG. 2



**FIG. 3**

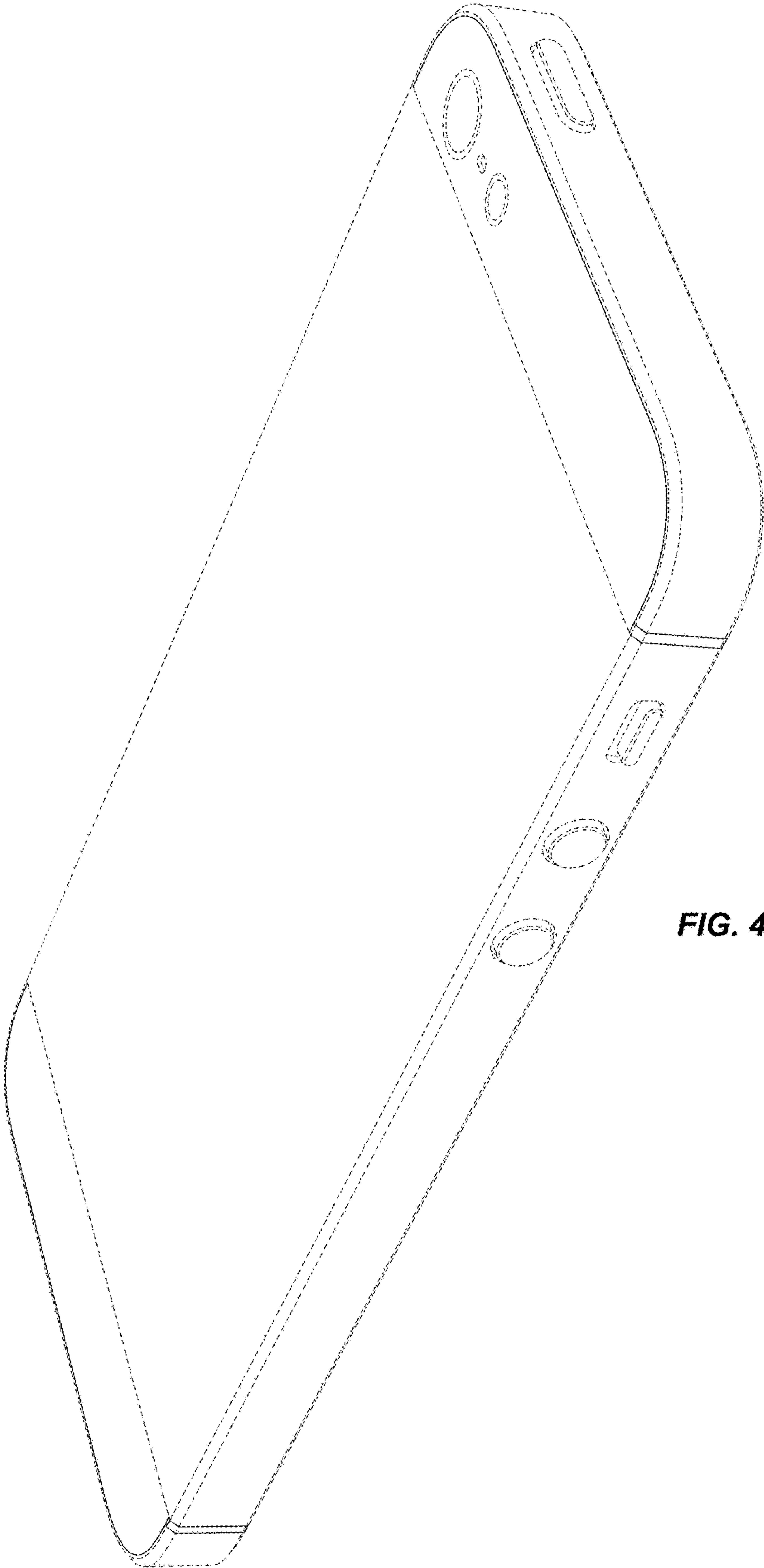
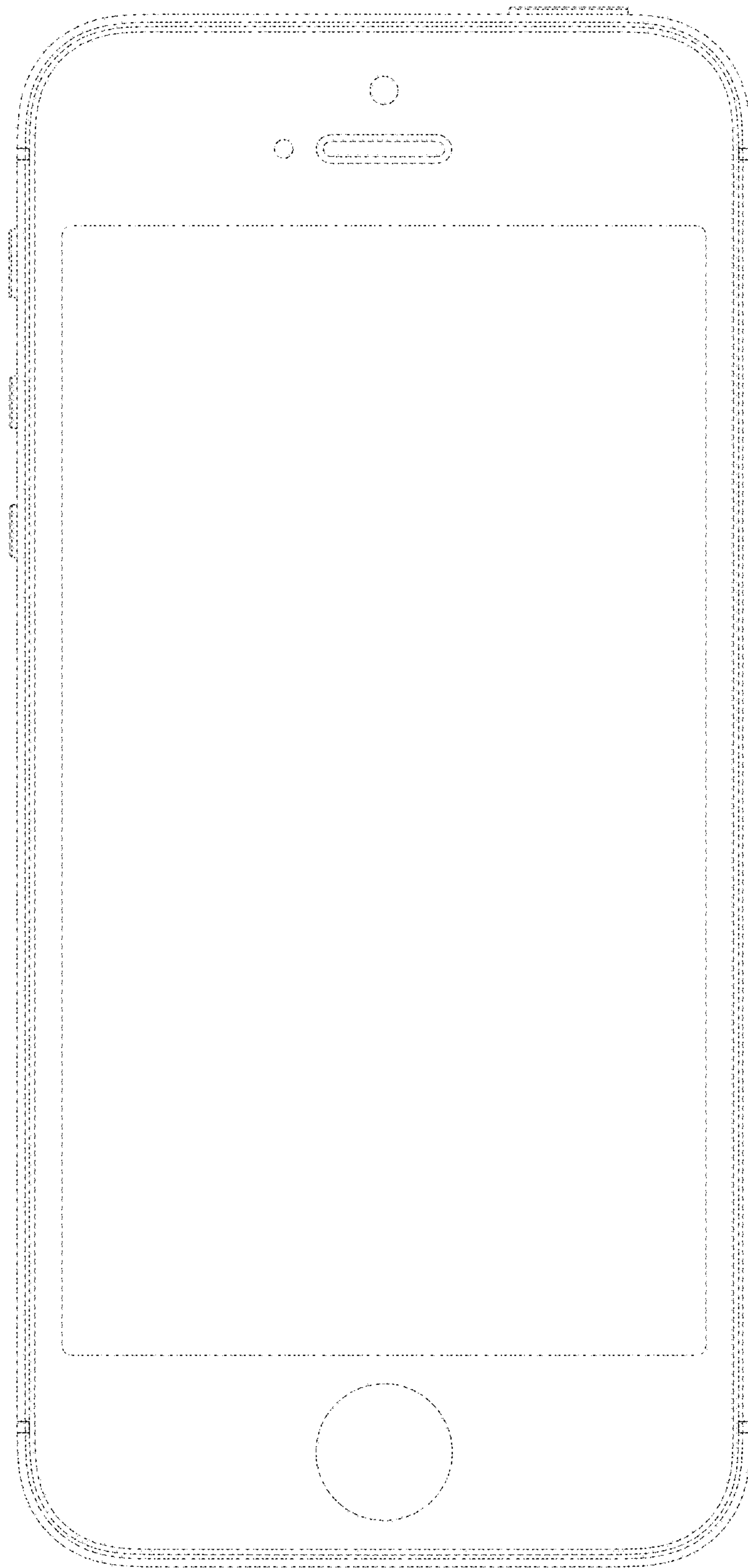


FIG. 4



**FIG. 5**

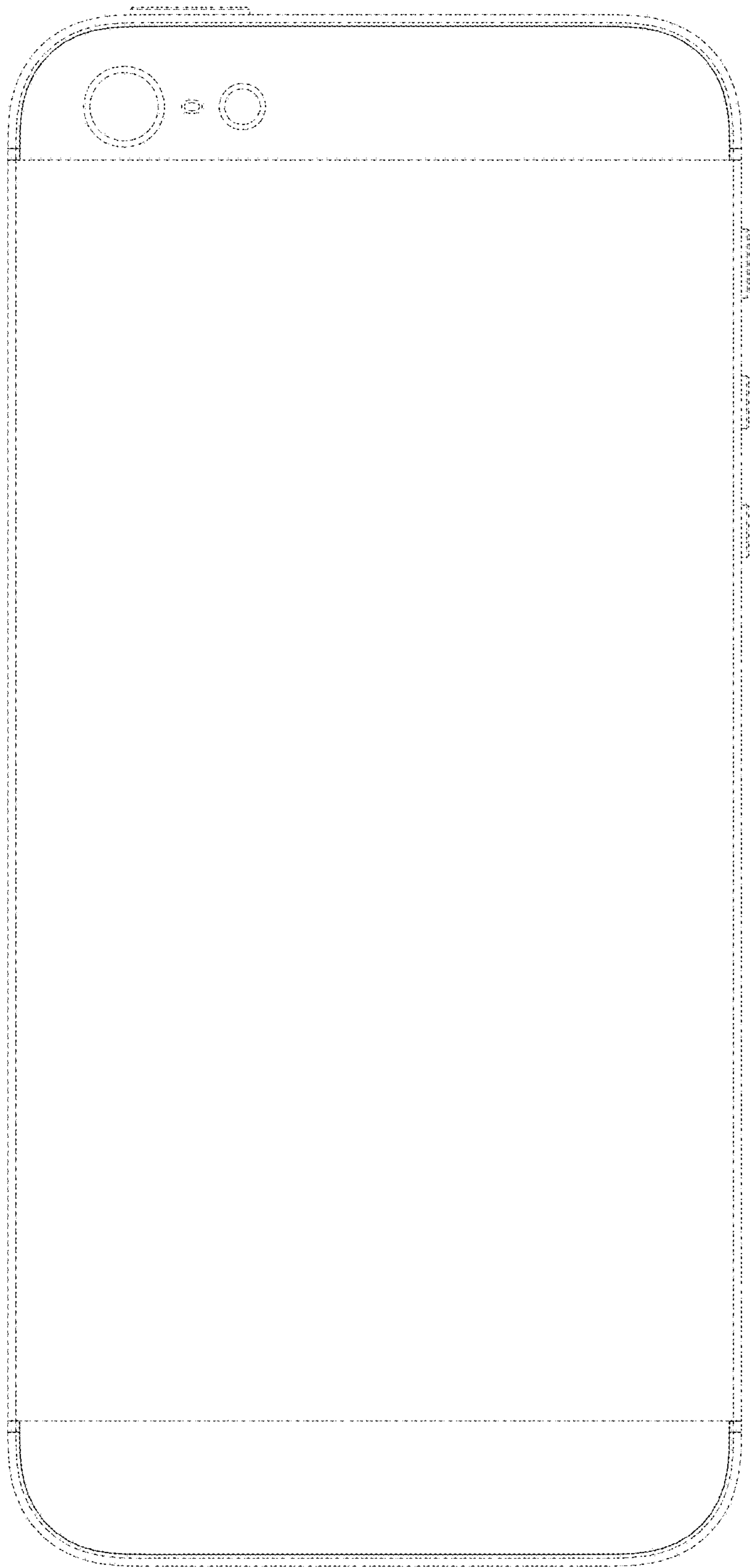
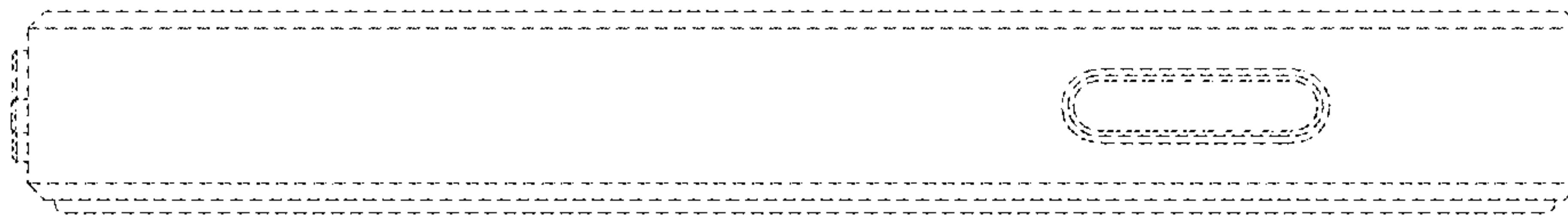
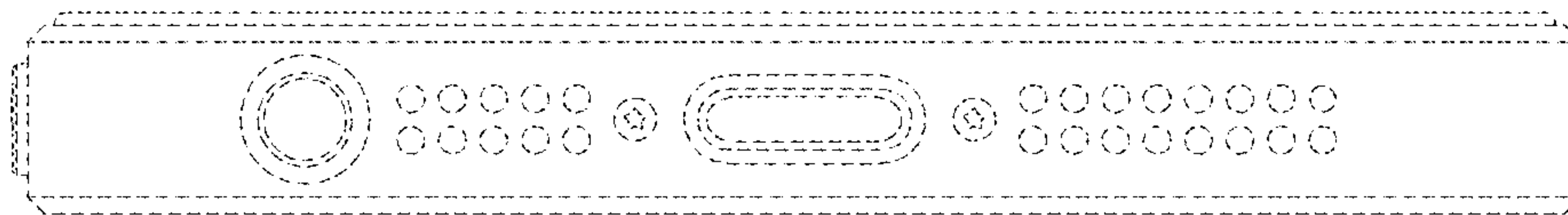


FIG. 6

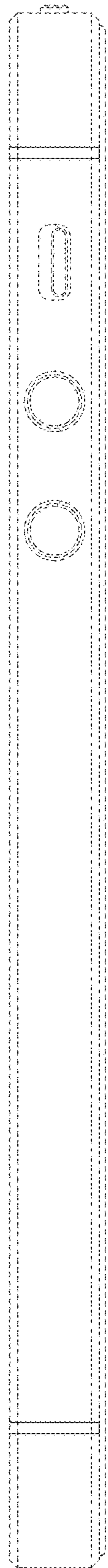




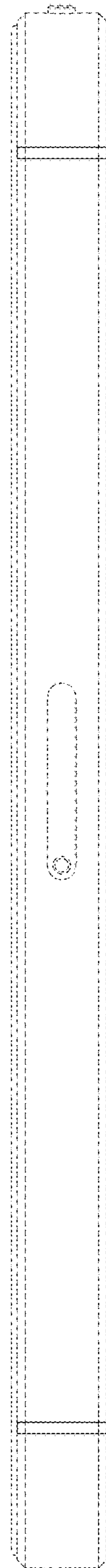
**FIG. 7**



**FIG. 8**



**FIG. 9**



**FIG. 10**