



US00D835614S

(12) **United States Design Patent** (10) **Patent No.:** **US D835,614 S**  
**Kahn et al.** (45) **Date of Patent:** **\*\* Dec. 11, 2018**

(54) **BASE STATION FOR DISPLAY AND CONTROL**

(71) Applicants: **Philippe Richard Kahn**, Santa Cruz, CA (US); **Arthur Kinsolving**, Santa Cruz, CA (US); **Mark Andrew Christensen**, Santa Cruz, CA (US); **Colin Mcclarin Cooper**, Santa Cruz, CA (US)

(72) Inventors: **Philippe Richard Kahn**, Santa Cruz, CA (US); **Arthur Kinsolving**, Santa Cruz, CA (US); **Mark Andrew Christensen**, Santa Cruz, CA (US); **Colin Mcclarin Cooper**, Santa Cruz, CA (US)

(73) Assignee: **DP Technologies, Inc.**, Scotts Valley, CA (US)

(\*\*) Term: **15 Years**

(21) Appl. No.: **29/584,423**

(22) Filed: **Nov. 14, 2016**

(51) **LOC (11) Cl.** ..... **14-03**

(52) **U.S. Cl.**  
USPC ..... **D14/240; D14/358**

(58) **Field of Classification Search**  
USPC ..... D14/125, 129, 130, 137, 140, 142, 155, D14/168, 172, 188, 195, 203.1, 203.6, D14/203.8, 204, 209, 209.1, 216, 230, D14/231, 233, 235, 236, 237, 240, 242, D14/299, 300, 302, 348, 351, 356, 357,  
(Continued)

(56) **References Cited**

**U.S. PATENT DOCUMENTS**

2,012,538 A \* 8/1935 Krohn ..... G10K 11/08  
181/178  
D225,865 S \* 1/1973 Sjostedt ..... 52/DIG. 10  
(Continued)

**OTHER PUBLICATIONS**

Phoebus 3G WiFi Router—Pyramid Style, as posted in Routers, WiFi at SlipperyBrick.com [online], posted on Jul. 27, 2007, [site visited Jan. 5, 2018]. Available from the Internet, <URL: <http://www.slipperybrick.com/2007/07/phebus-3g-wifi-router/>>.\*

(Continued)

*Primary Examiner* — Jeffrey D Asch

*Assistant Examiner* — Rebekah A Caruso

(74) *Attorney, Agent, or Firm* — HIPLegal LLP; Judith Szepesi

(57) **CLAIM**

The ornamental design for a base station for display and control, as shown and described.

**DESCRIPTION**

FIG. 1 is a perspective view of a base station for display and control.

FIG. 2 is a front view of the base station of FIG. 1.

FIG. 3 is a top view of the base station of FIG. 1.

FIG. 4 is a side view of the base station of FIG. 1 the opposite side being a mirror image thereof.

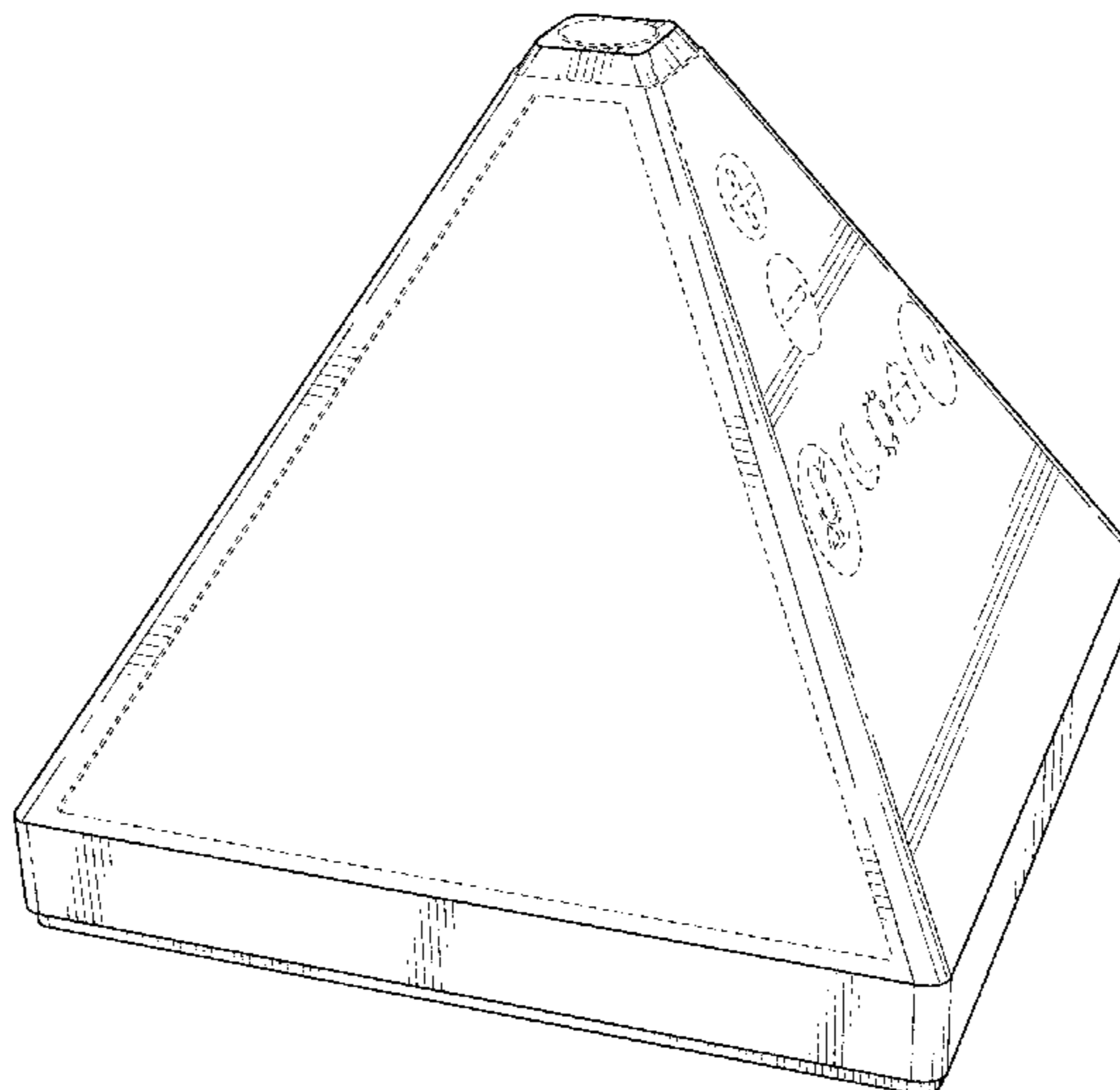
FIG. 5 is a back view of the base station of FIG. 1; and,

FIG. 6 is a bottom view of the base station of FIG. 1.

The broken lines in the figures that are immediately adjacent to the shaded areas and define unshaded regions represent the bounds of the claims. All other broken lines, including the features within broken line boundaries, are directed to environment. The broken form no part of the claimed design. The base station is not limited to the scale shown herein.

As indicated in the title, the article of manufacture to which the ornamental design has been applied is base station for display and control, including one or more user interface features.

**1 Claim, 6 Drawing Sheets**



(58) **Field of Classification Search**

USPC ..... D14/358, 361, 362, 365, 367, 370, 388,  
 D14/432, 434, 496, 210, 215, 207;  
 D13/103, 107, 108, 123, 152, 158, 162,  
 D13/162.1, 163, 168, 184, 199;  
 D10/104.1, 106.2, 106.3, 106.5, 106.6,  
 D10/106.9, 106.91, 116.1, 61, 64, 75;  
 D9/431

CPC ... H04W 88/08; H04W 88/085; H04W 88/00;  
 H04W 88/005; H04W 88/02; H04W  
 88/12; H04W 88/14; H04W 88/16; H04W  
 88/18; H04W 4/00; H01C 1/02; H01C  
 1/2291; H01C 1/246; H04B 1/38; H01Q  
 1/02; H01Q 1/2291; H01Q 1/246

See application file for complete search history.

6,288,642 B1 \* 9/2001 Dohrmann ..... G08B 13/00  
 340/540  
 D478,194 S \* 8/2003 McGinty ..... D30/160  
 D482,109 S \* 11/2003 Woods ..... D23/364  
 D492,018 S \* 6/2004 Schroder ..... D23/364  
 D506,193 S \* 6/2005 Shoushtari ..... D14/300  
 D515,683 S \* 2/2006 LaBlaine ..... D23/366  
 D601,555 S \* 10/2009 Zhang ..... D14/300  
 D616,139 S \* 5/2010 Meeker ..... D26/101  
 D616,594 S \* 5/2010 Meeker ..... D26/101  
 D652,393 S \* 1/2012 Suzuki ..... D13/168  
 D660,685 S \* 5/2012 Bucci ..... D21/505  
 D688,417 S \* 8/2013 Liu ..... D27/162  
 D718,431 S \* 11/2014 Young ..... D23/366  
 D722,654 S \* 2/2015 Martone ..... D21/472  
 2006/0105666 A1 \* 5/2006 von Oech ..... A63H 33/04  
 446/85

(56) **References Cited**

U.S. PATENT DOCUMENTS

4,040,520 A \* 8/1977 Joaquin ..... A47F 5/02  
 211/163  
 4,300,478 A \* 11/1981 Wise ..... A01K 63/003  
 119/249  
 D274,056 S \* 5/1984 Myer ..... D14/172  
 D276,773 S \* 12/1984 Rodriguez ..... D11/131  
 D306,168 S \* 2/1990 Caputo ..... D14/204  
 5,043,855 A \* 8/1991 Yelvington ..... B60Q 7/00  
 362/276  
 D337,315 S \* 7/1993 Riza ..... D14/355  
 D343,790 S \* 2/1994 Mermelstein ..... D9/418  
 D345,699 S \* 4/1994 Yang ..... D10/15  
 D349,117 S \* 7/1994 Rasansky ..... D14/218  
 D359,587 S \* 6/1995 Ross ..... D30/101  
 D373,528 S \* 9/1996 Ser Tuen Wei ..... D9/418  
 D376,600 S \* 12/1996 Vallillee ..... D14/240  
 D380,538 S \* 7/1997 Muller ..... D23/366  
 D383,864 S \* 9/1997 Billings ..... D23/366  
 D423,342 S \* 4/2000 Popesco ..... D21/505  
 D425,811 S \* 5/2000 Dohrmann ..... D10/106.1  
 D432,537 S \* 10/2000 Lee ..... D14/351  
 6,152,257 A \* 11/2000 Denham ..... H04R 1/345  
 181/144  
 D443,542 S \* 6/2001 Dohrmann ..... D10/106.6

OTHER PUBLICATIONS

“Starry Station Updates The Router for Modern Use,” Starry Station  
 pictured therein, as posted at CoolThings.com [online], posted on  
 Feb. 2, 2016, [site visited Jan. 5, 2018]. Available from the  
 Internet, <URL: [http://www.coolthings.com/starry-station-smart-  
 router/](http://www.coolthings.com/starry-station-smart-router/)>.\*

Pyramid Ioniser Ions 2000, as posted on OrtopediaSilvio.com  
 [online], posting date not available, [site visited Jan. 5, 2018].  
 Available from the Internet, <URL: [https://www.ortopediasilvio.com/  
 en/more/2621-pyramid-ioniser-ions-2000.html](https://www.ortopediasilvio.com/en/more/2621-pyramid-ioniser-ions-2000.html)>.\*

Psyc Razor Portable Bluetooth Speaker, as posted at PsycSound.  
 com [online], posting date not available, [site visited Jan. 5, 2018].  
 Available from the Internet, <URL: [http://www.psycsound.com/razor.  
 asp](http://www.psycsound.com/razor.asp)>.\*

Yamaha B6 Amplifier, as posted at HiFiEngine.com [online], posted  
 by RonPilgrim on May 18, 2012, [site visited Jan. 5, 2018].  
 Available from the Internet, <URL: [https://www.hifiengine.com/  
 gallery/images/yamaha-b6-amplifier.shtml](https://www.hifiengine.com/gallery/images/yamaha-b6-amplifier.shtml)>.\*

Pyramid Power—4 Outlet 5.2A USB Express Charger, as posted at  
 WagnerOnline.com.au [online], posting date not available, [site  
 visited Jan. 5, 2018]. Available from the Internet, <URL: [https://  
 www.wagneronline.com.au/pyramid-power-4-outlet-5-2a-usb-express-  
 charger/power-supplies/power-lighting/pt0428-64464/974141/  
 pd/](https://www.wagneronline.com.au/pyramid-power-4-outlet-5-2a-usb-express-charger/power-supplies/power-lighting/pt0428-64464/974141/pd/)>.\*

\* cited by examiner

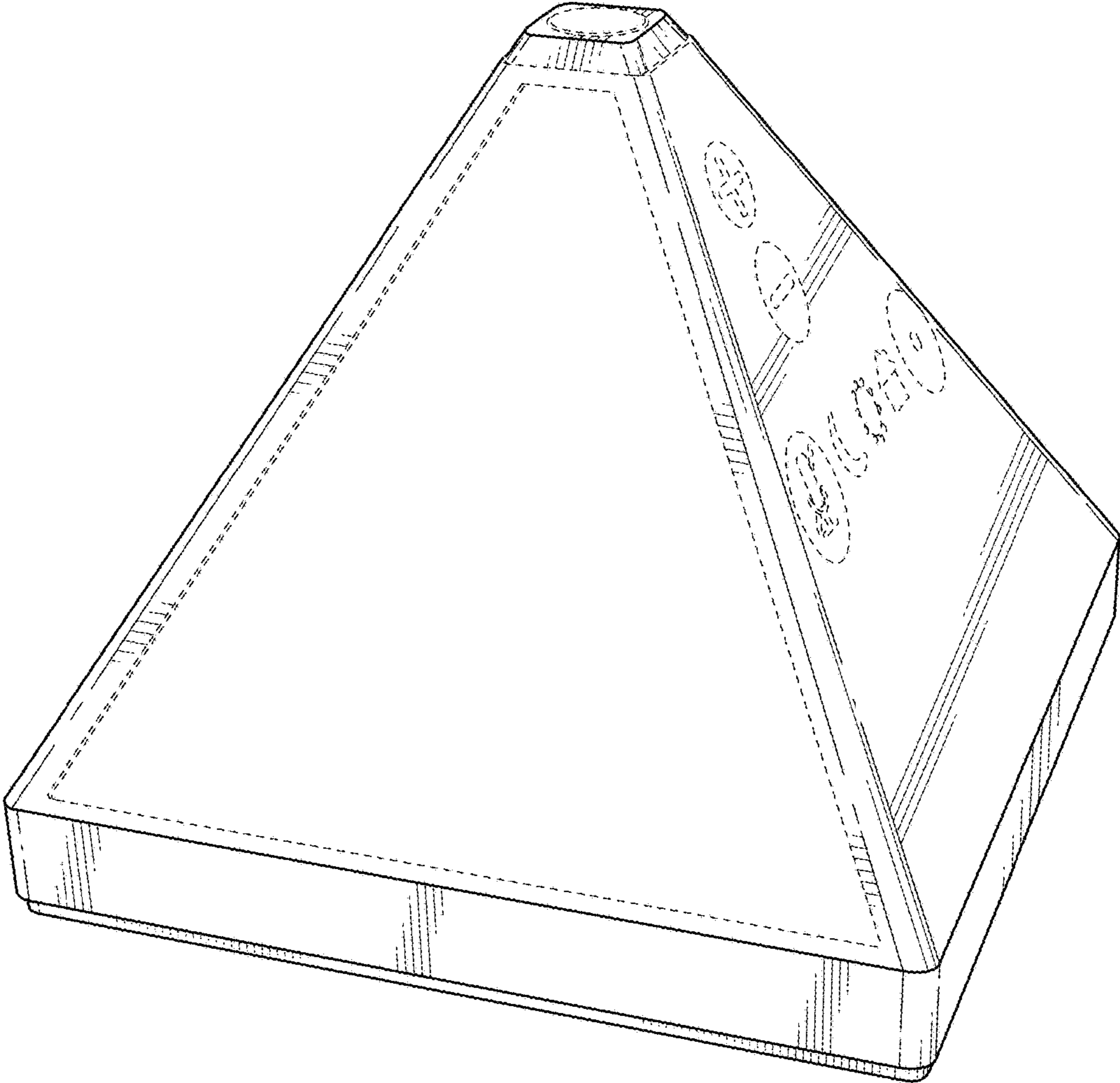


FIG. 1



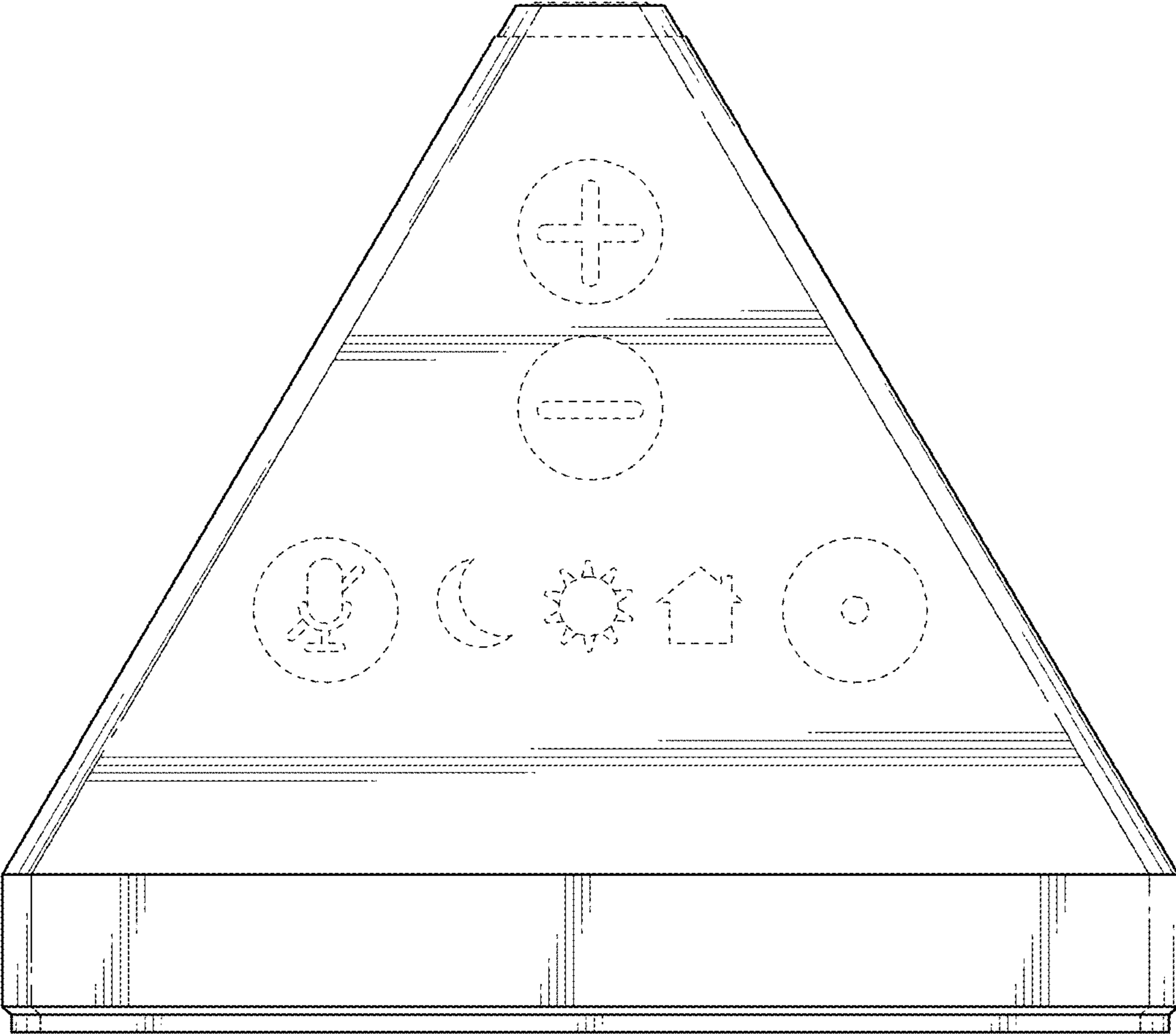


FIG. 2

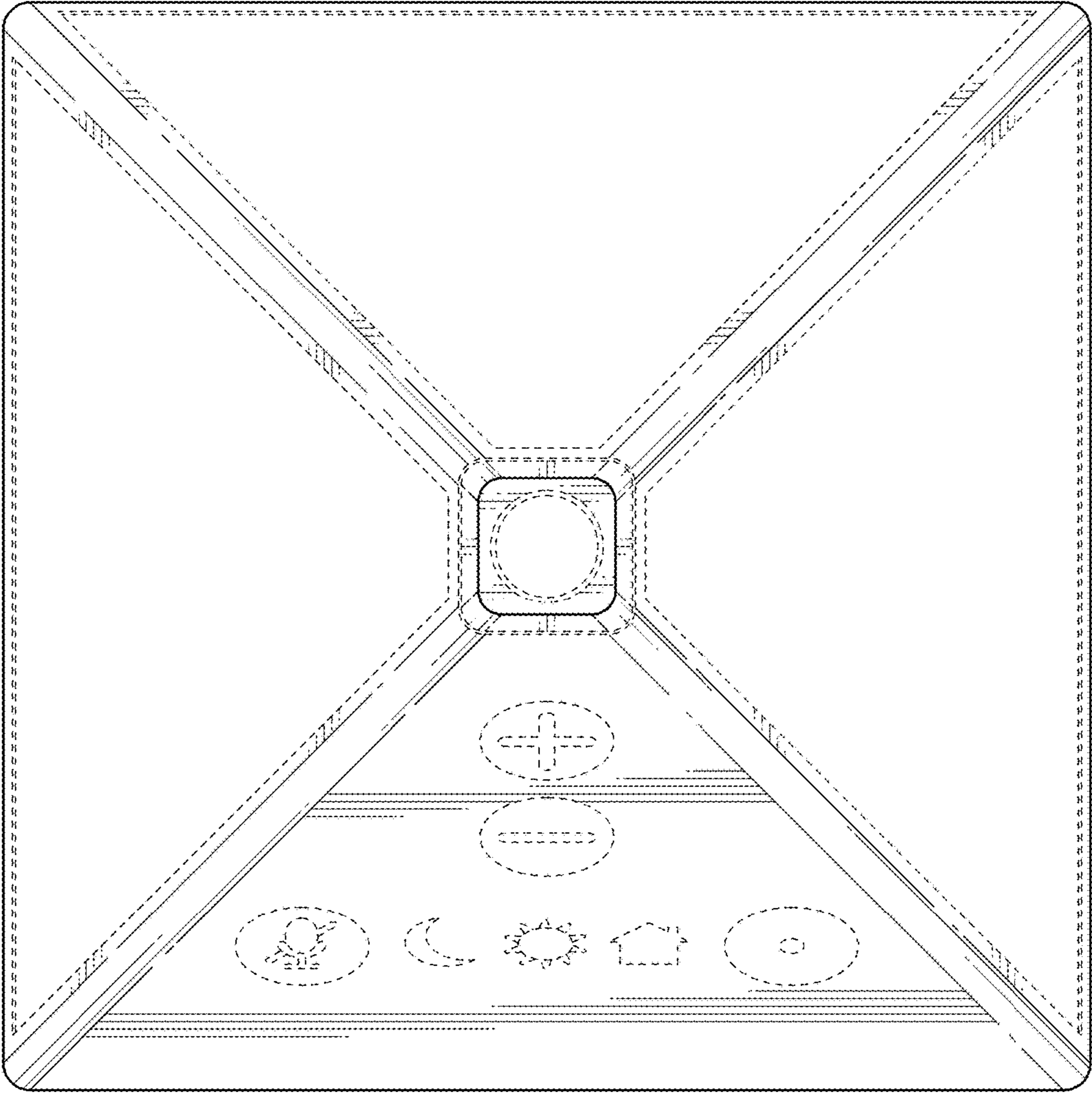


FIG. 3

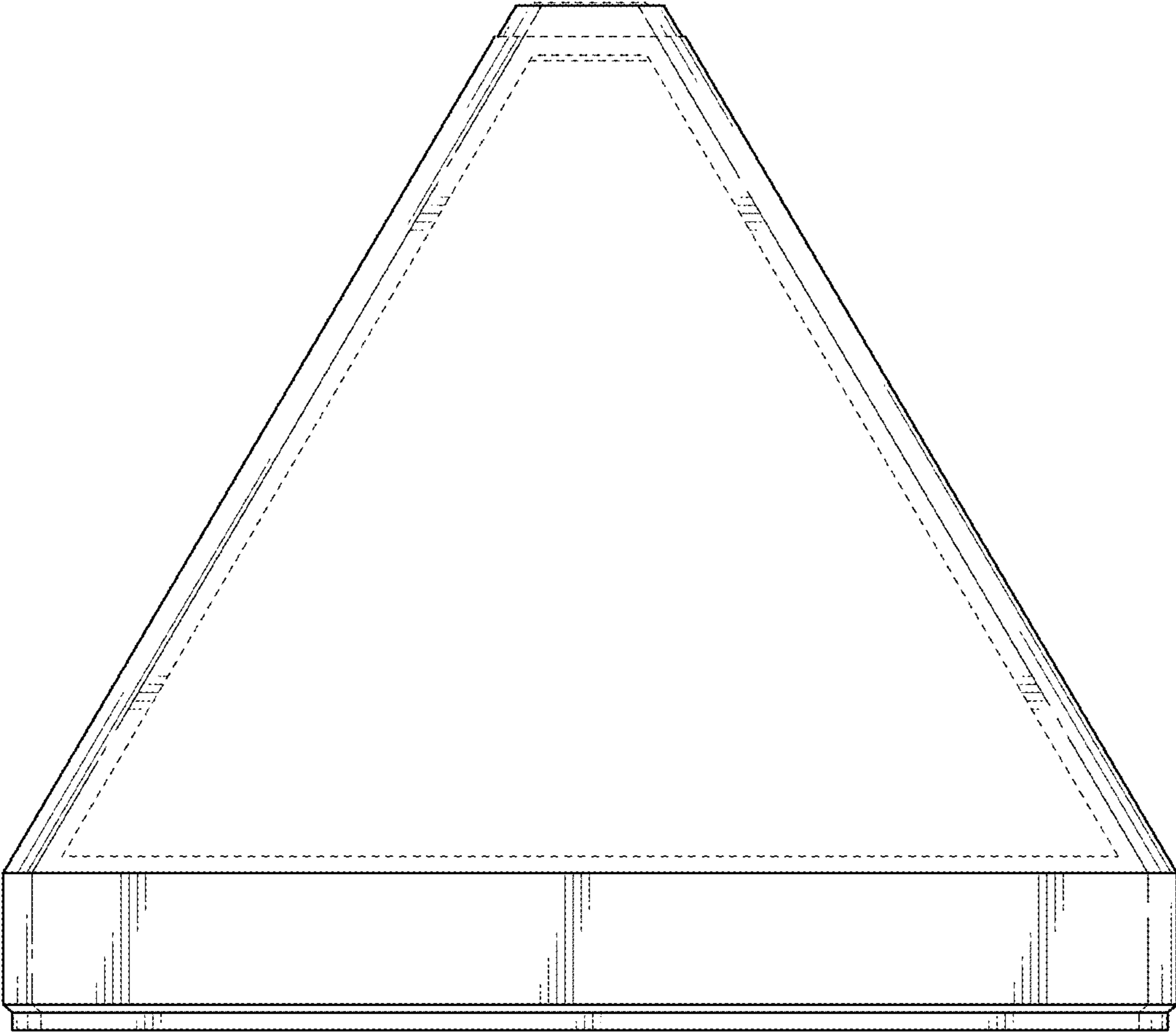


FIG. 4

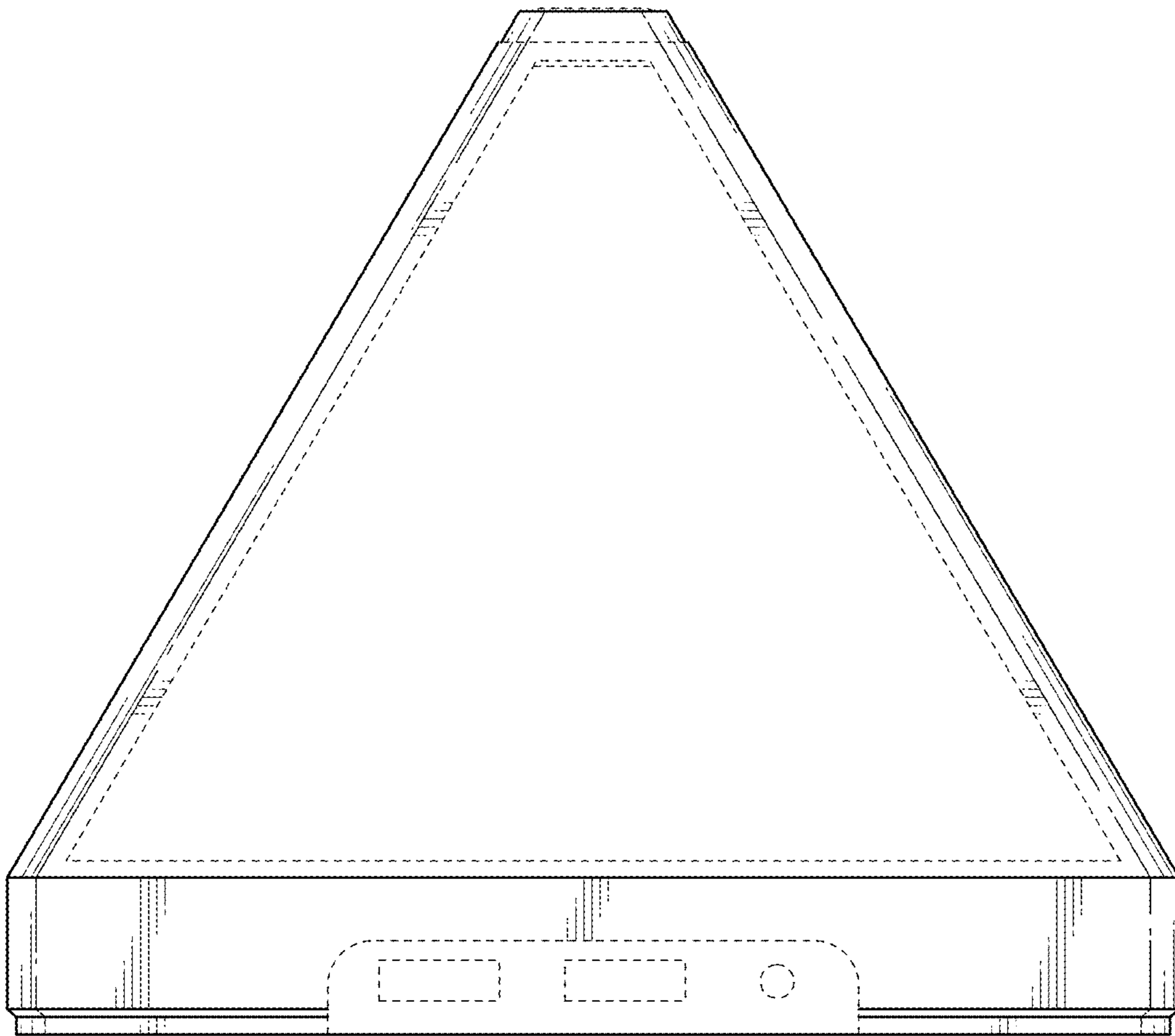


FIG. 5

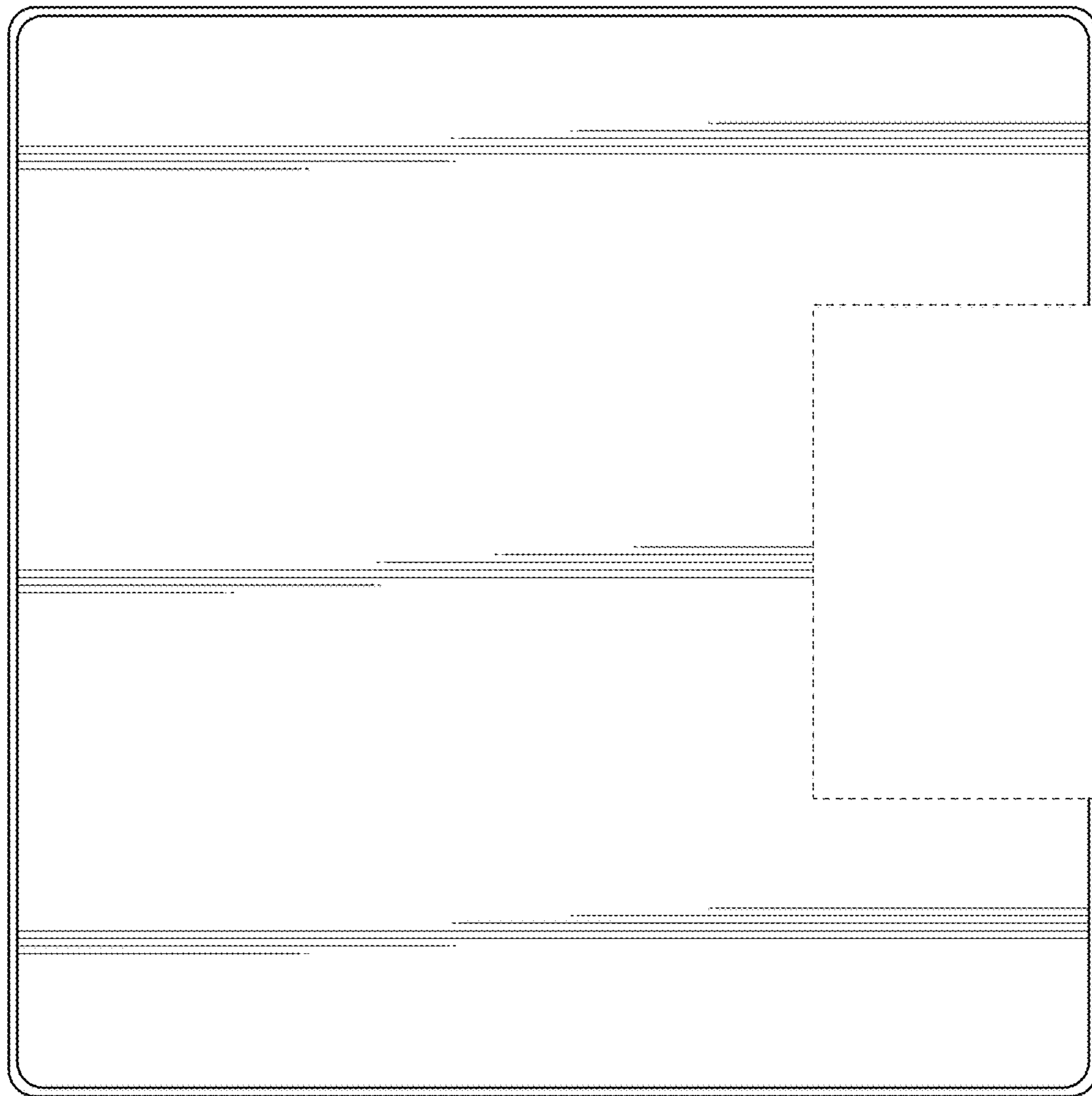


FIG. 6