



US00D835612S

(12) **United States Design Patent**
Tong

(10) **Patent No.:** **US D835,612 S**

(45) **Date of Patent:** **** Dec. 11, 2018**

(54) **MICROPHONE**

(71) Applicant: **RAZER (ASIA-PACIFIC) PTE. LTD.**,
Singapore (SG)

(72) Inventor: **Ien Yu Tong**, Johor (MY)

(73) Assignee: **RAZER (ASIA-PACIFIC) PTE. LTD.**,
Singapore (SG)

(**) Term: **15 Years**

(21) Appl. No.: **29/622,359**

(22) Filed: **Oct. 17, 2017**

(51) **LOC (11) Cl.** **14-01**

(52) **U.S. Cl.**
USPC **D14/225**

(58) **Field of Classification Search**
USPC D14/224–229; D16/244; D17/99;
D6/681; 248/125.1, 166, 185.1;
381/355, 359, 361–363, 365, 366, 369,
381/375; 379/428.01, 428.04, 431,
379/433.03
CPC . H04R 25/00; H04R 1/02; H04R 5/02; H04R
9/08; F16M 11/38; F16M 13/00; F16M
11/00

See application file for complete search history.

(56) **References Cited**

U.S. PATENT DOCUMENTS

D218,315 S * 8/1970 Rusch D14/228
5,357,577 A * 10/1994 Waji H01J 7/24
361/704

5,624,358 A * 4/1997 Hestilow A63B 69/208
482/83
D409,670 S * 5/1999 Kuo D21/662
6,027,435 A * 2/2000 Nadorf A63B 69/208
482/146
D447,131 S * 8/2001 Hough D14/228
D594,856 S * 6/2009 Marshall D14/228
D603,849 S * 11/2009 Durrett D14/228
D708,170 S * 7/2014 Duck D14/225
D748,610 S * 2/2016 Smith D14/225
D774,494 S * 12/2016 Sunwoo D14/227
D826,908 S * 8/2018 Stillerman D14/227
2006/0002576 A1 * 1/2006 Akino H04R 1/021
381/361

* cited by examiner

Primary Examiner — Katie Jane Stofko

(74) *Attorney, Agent, or Firm* — Polsinelli PC

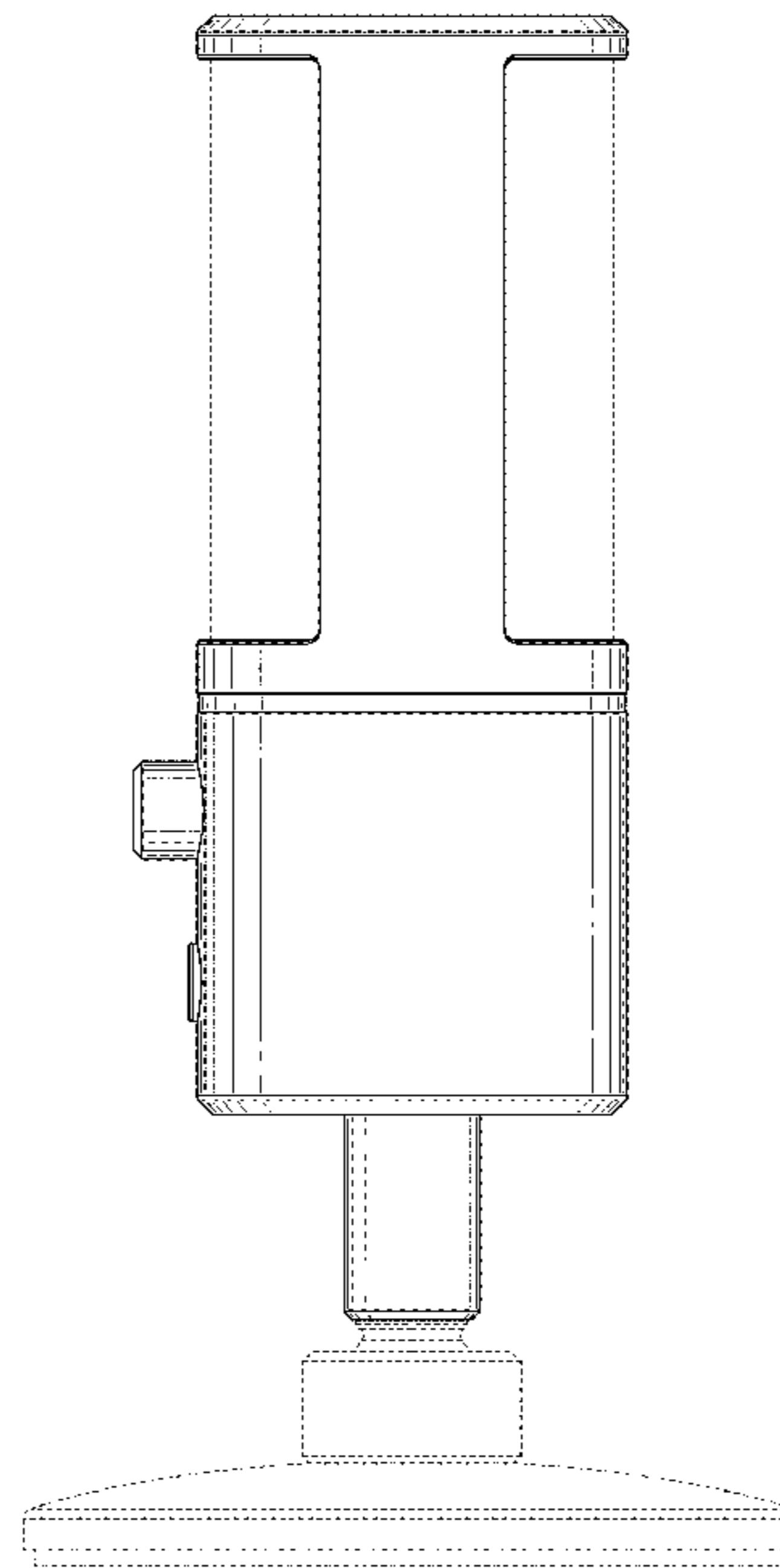
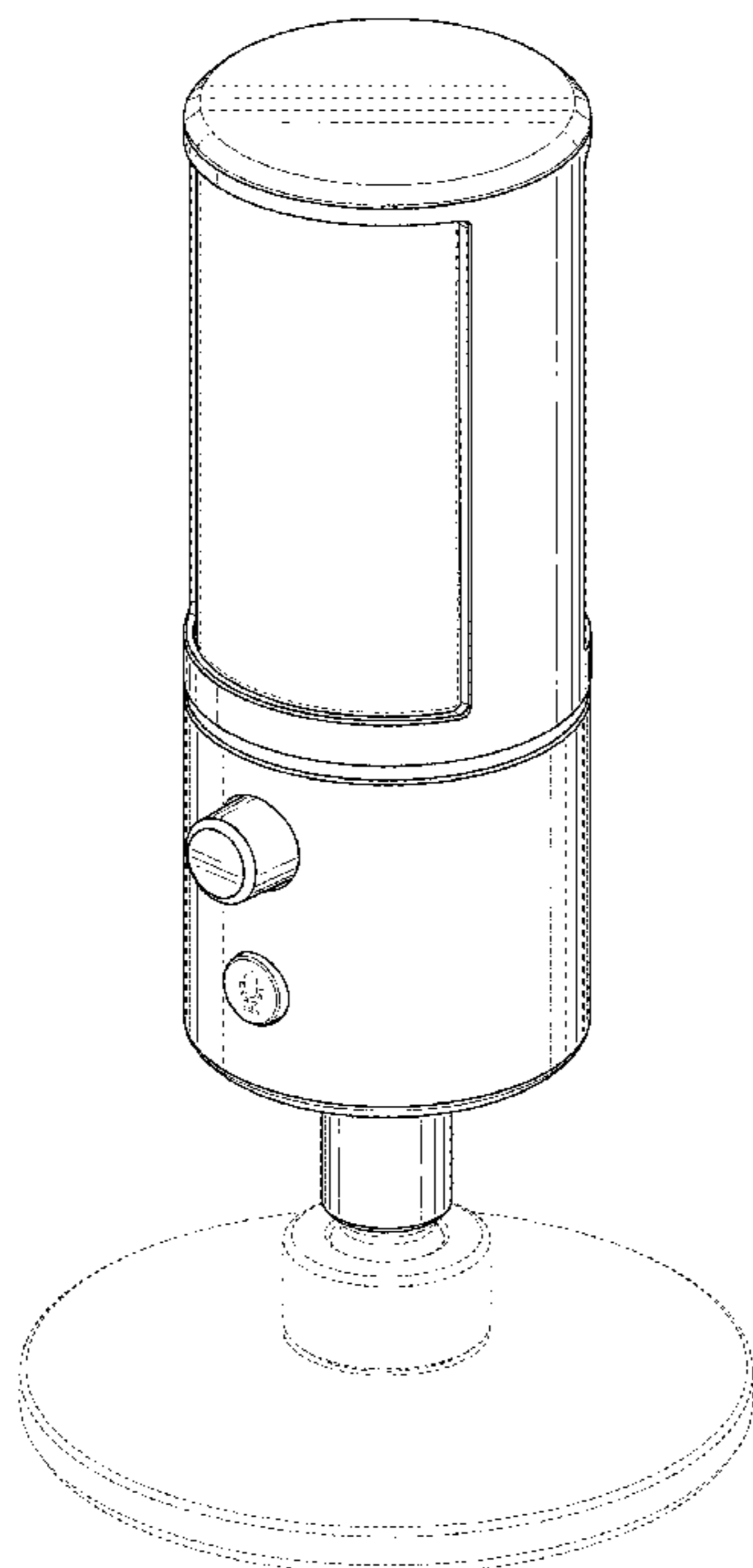
(57) **CLAIM**

I claim the ornamental design for a microphone, as shown and described.

DESCRIPTION

FIG. 1 is a perspective view of a microphone, showing my new design;
FIG. 2 is a front elevational view thereof;
FIG. 3 is a rear elevational view thereof;
FIG. 4 is a right side elevational view thereof;
FIG. 5 is a left side elevational view thereof;
FIG. 6 is a top plan view thereof;
FIG. 7 is a bottom plan view thereof; and,
FIG. 8 is a tilted, perspective view thereof.
The broken lines in FIGS. 1-8 illustrate portions of the microphone that form no part of the claimed design.

1 Claim, 8 Drawing Sheets



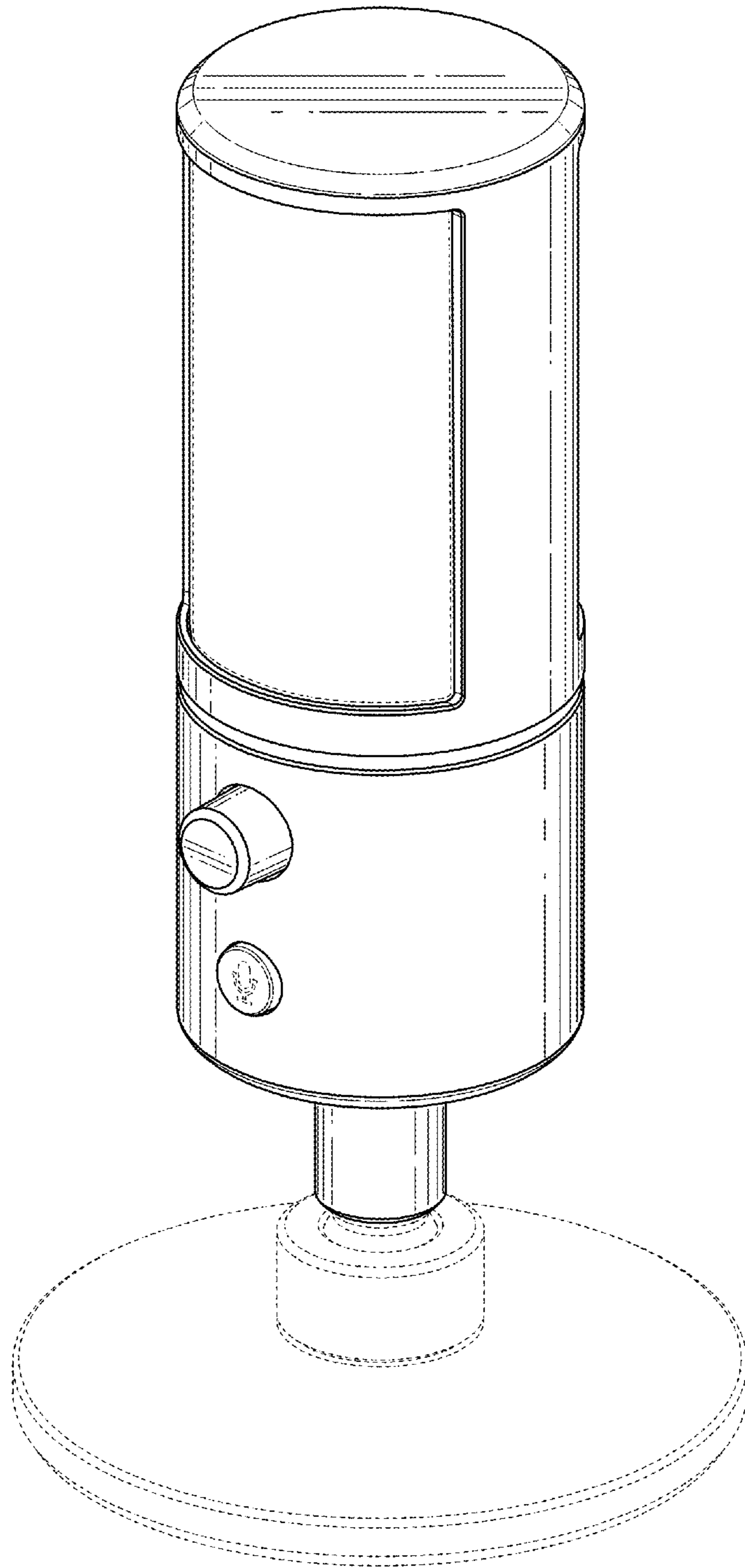


FIG. 1

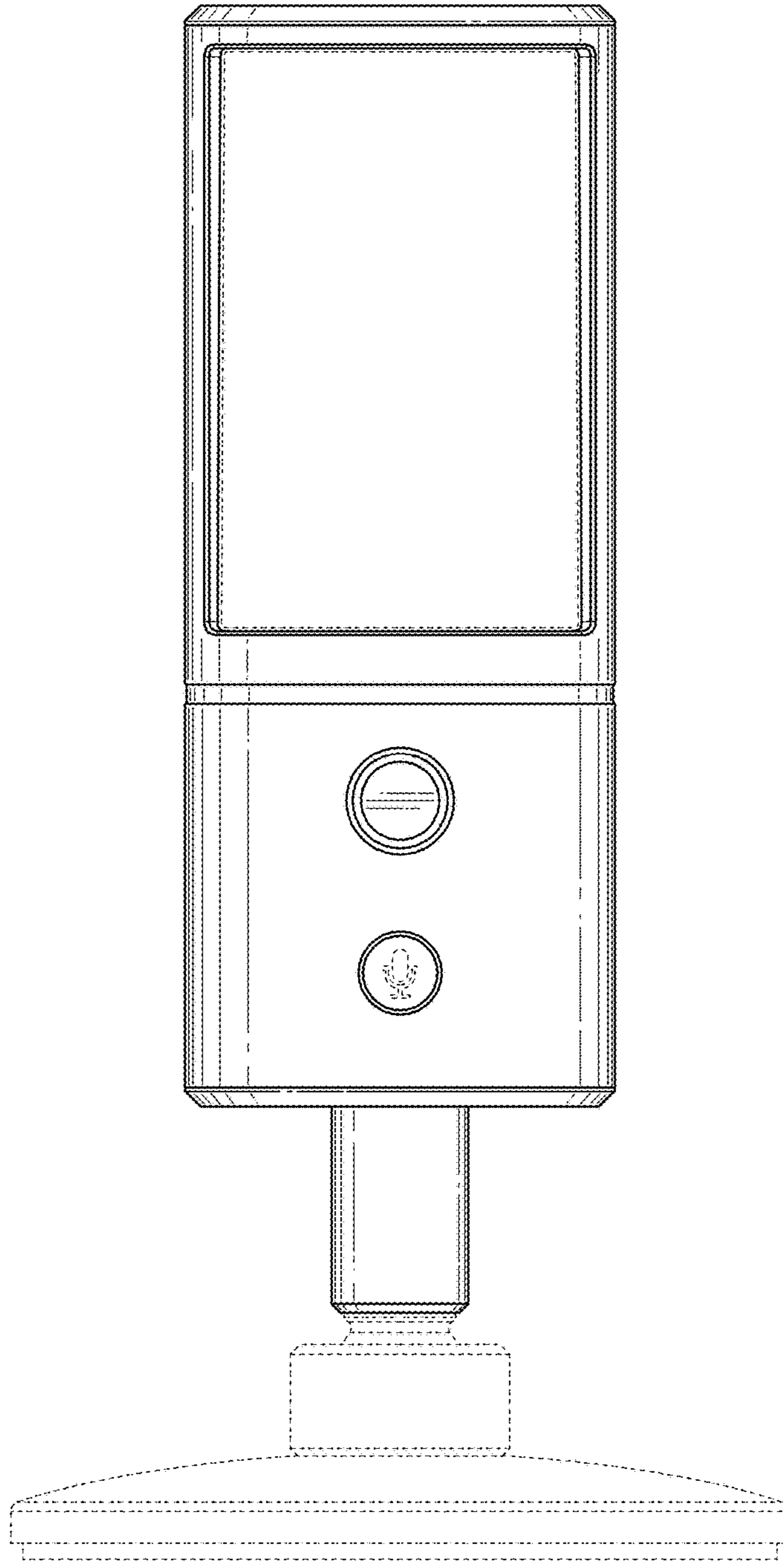


FIG. 2

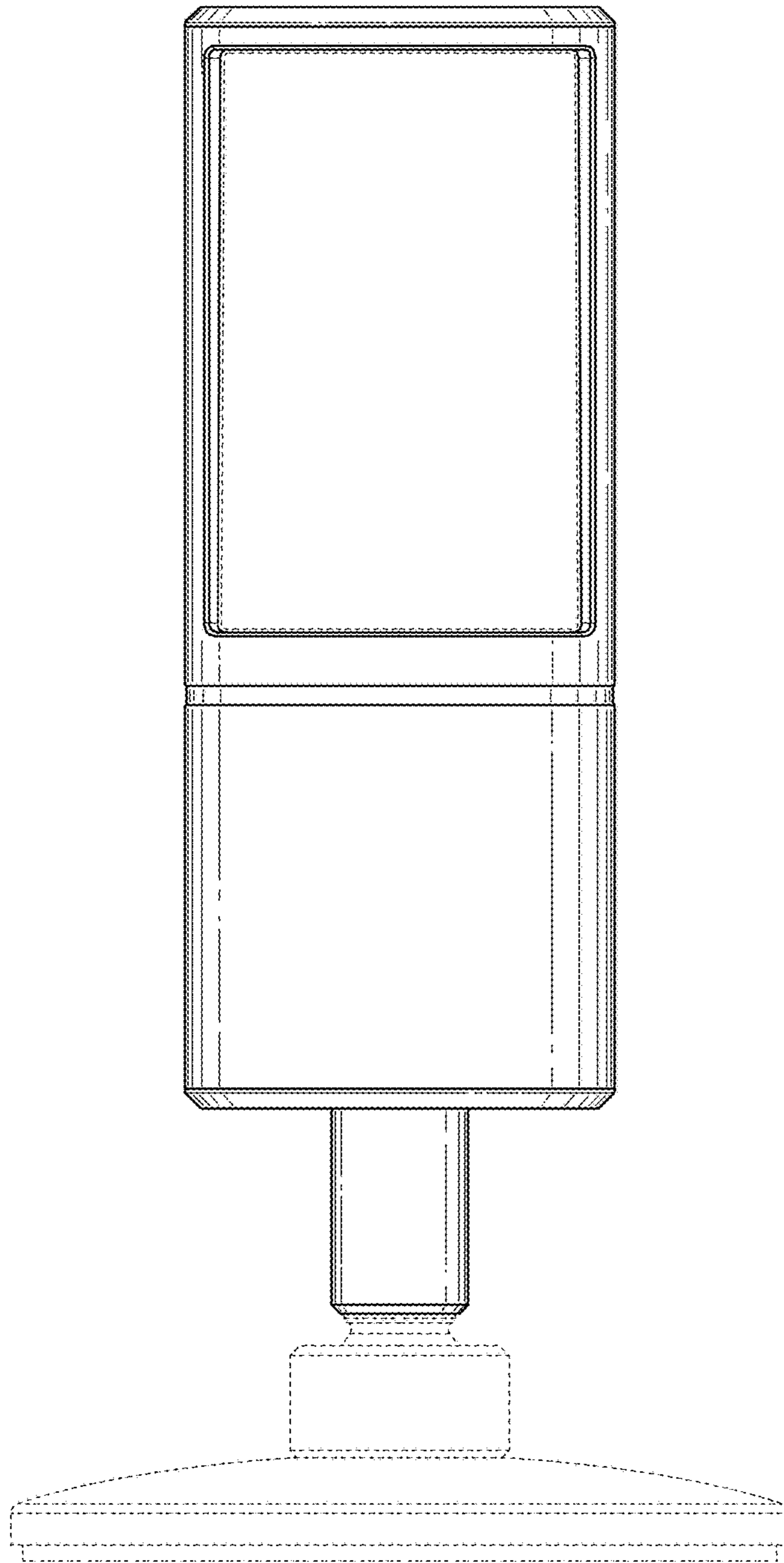


FIG. 3

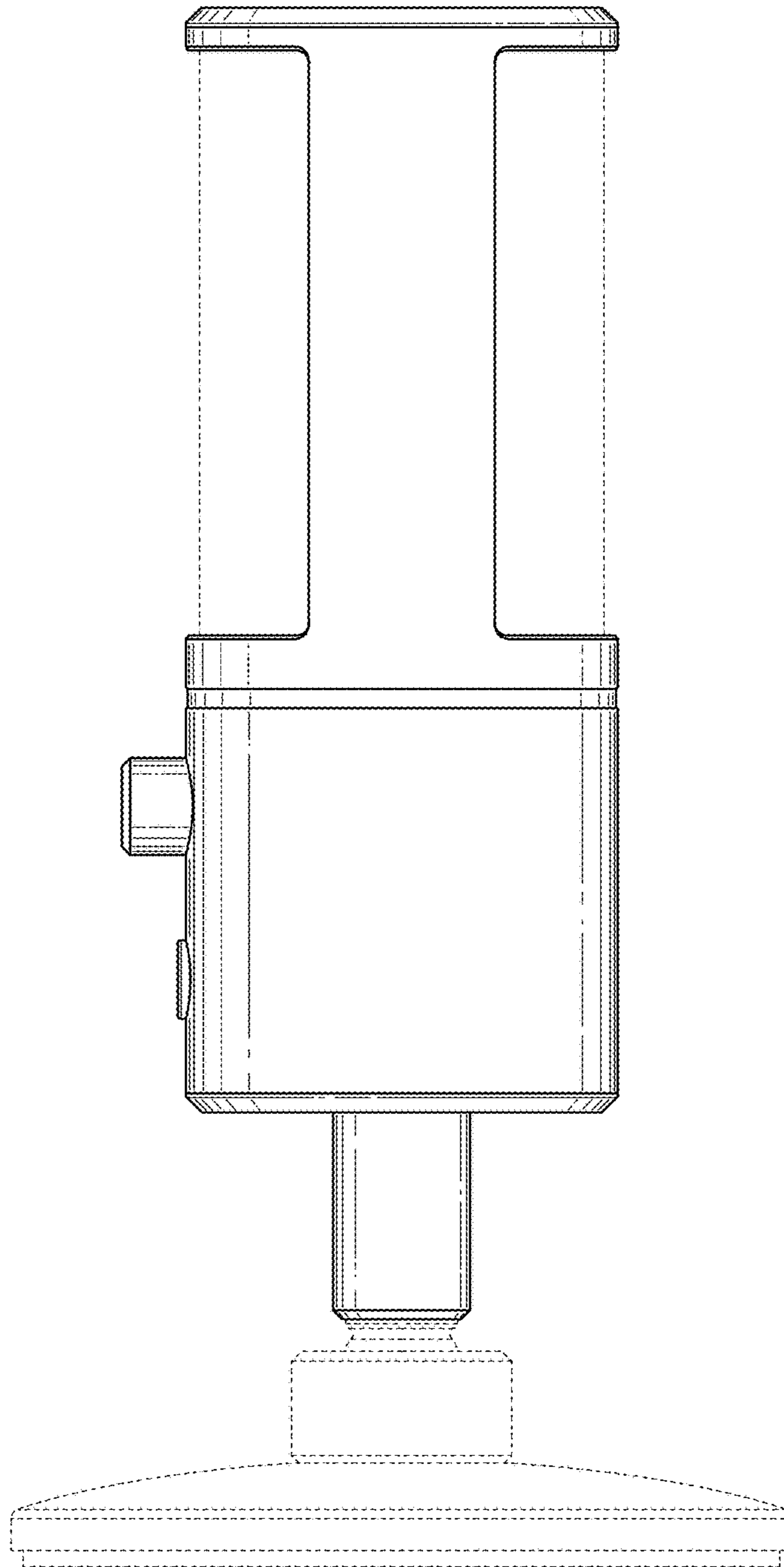


FIG. 4

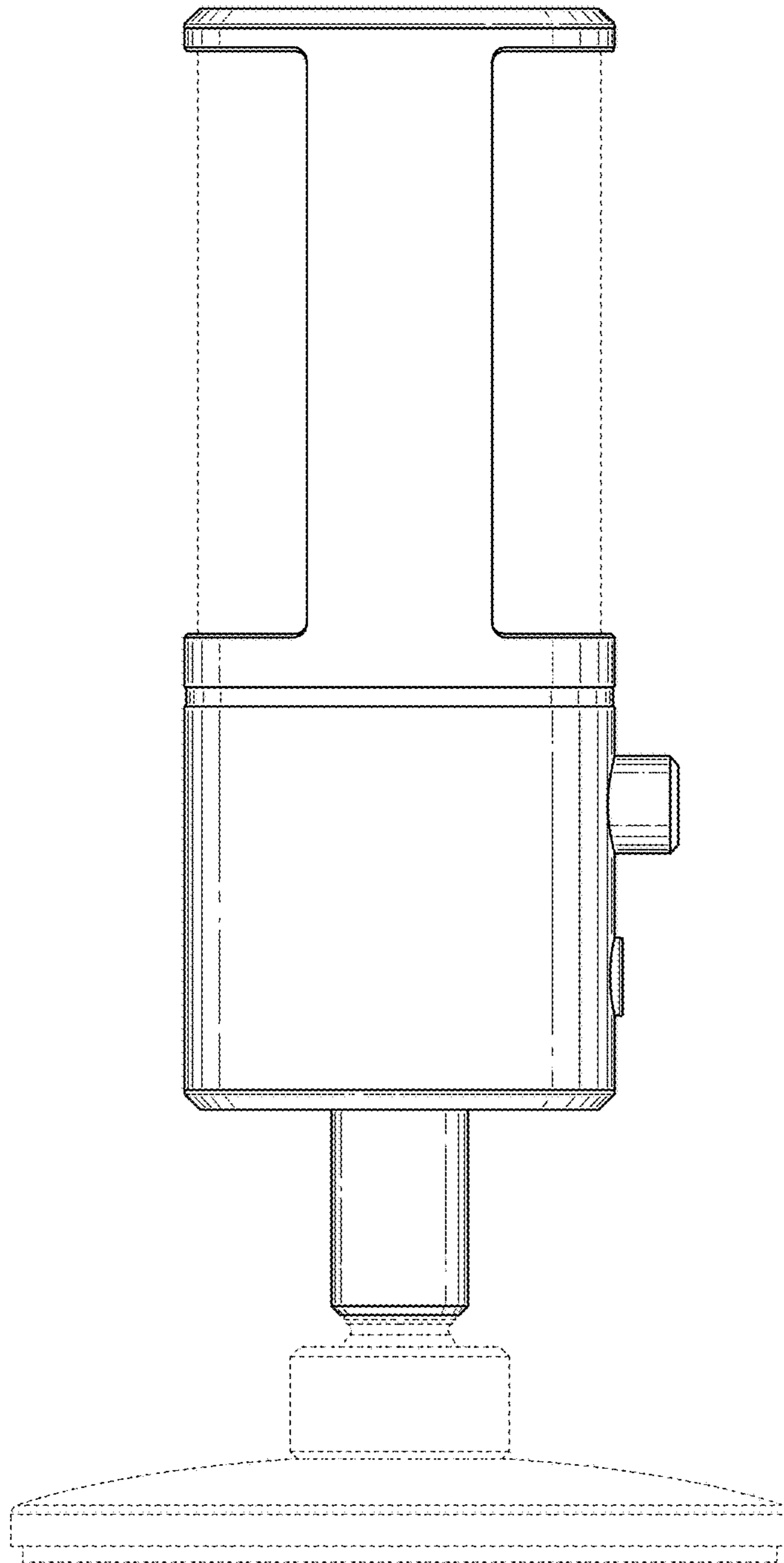


FIG. 5

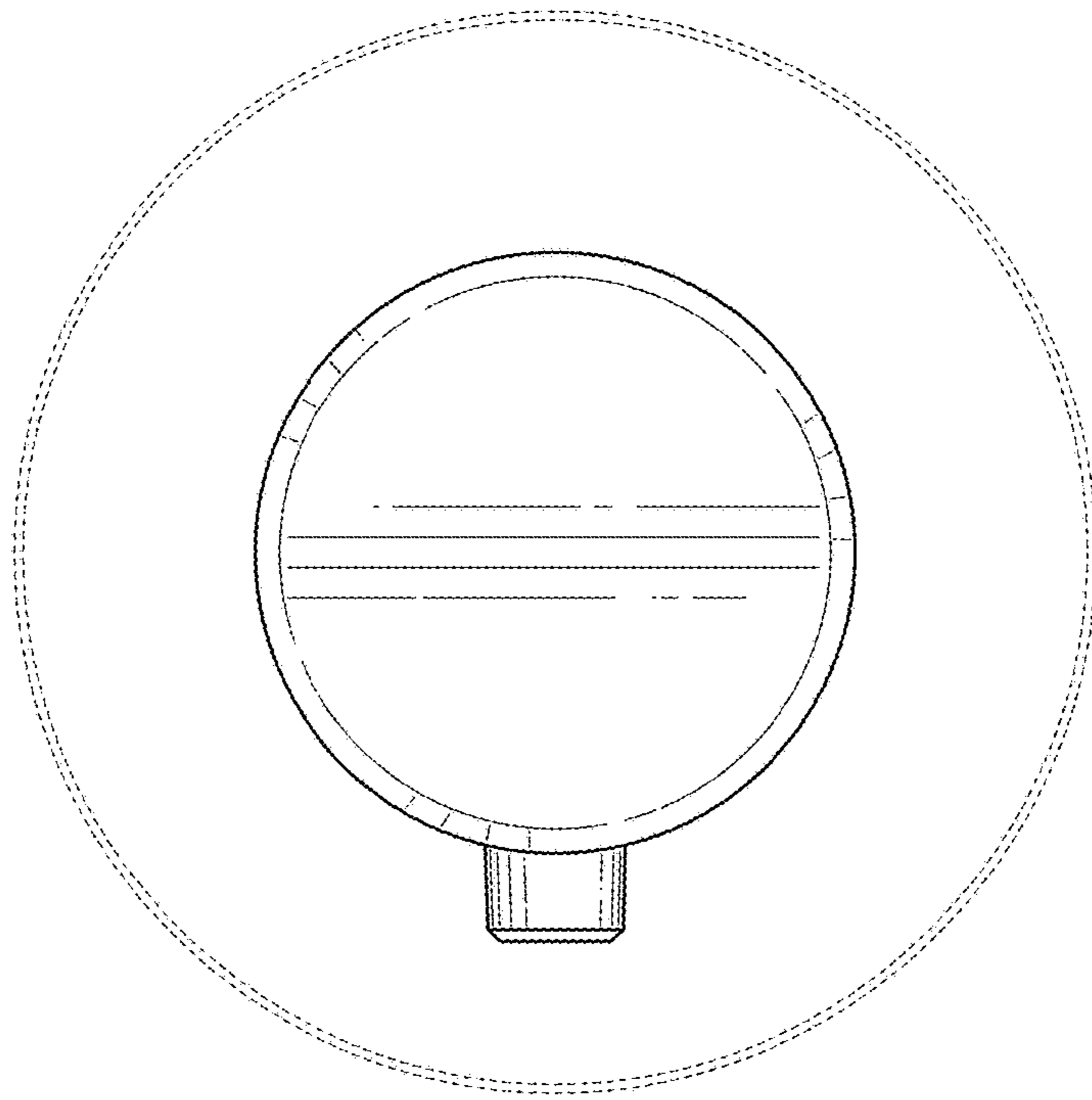


FIG. 6

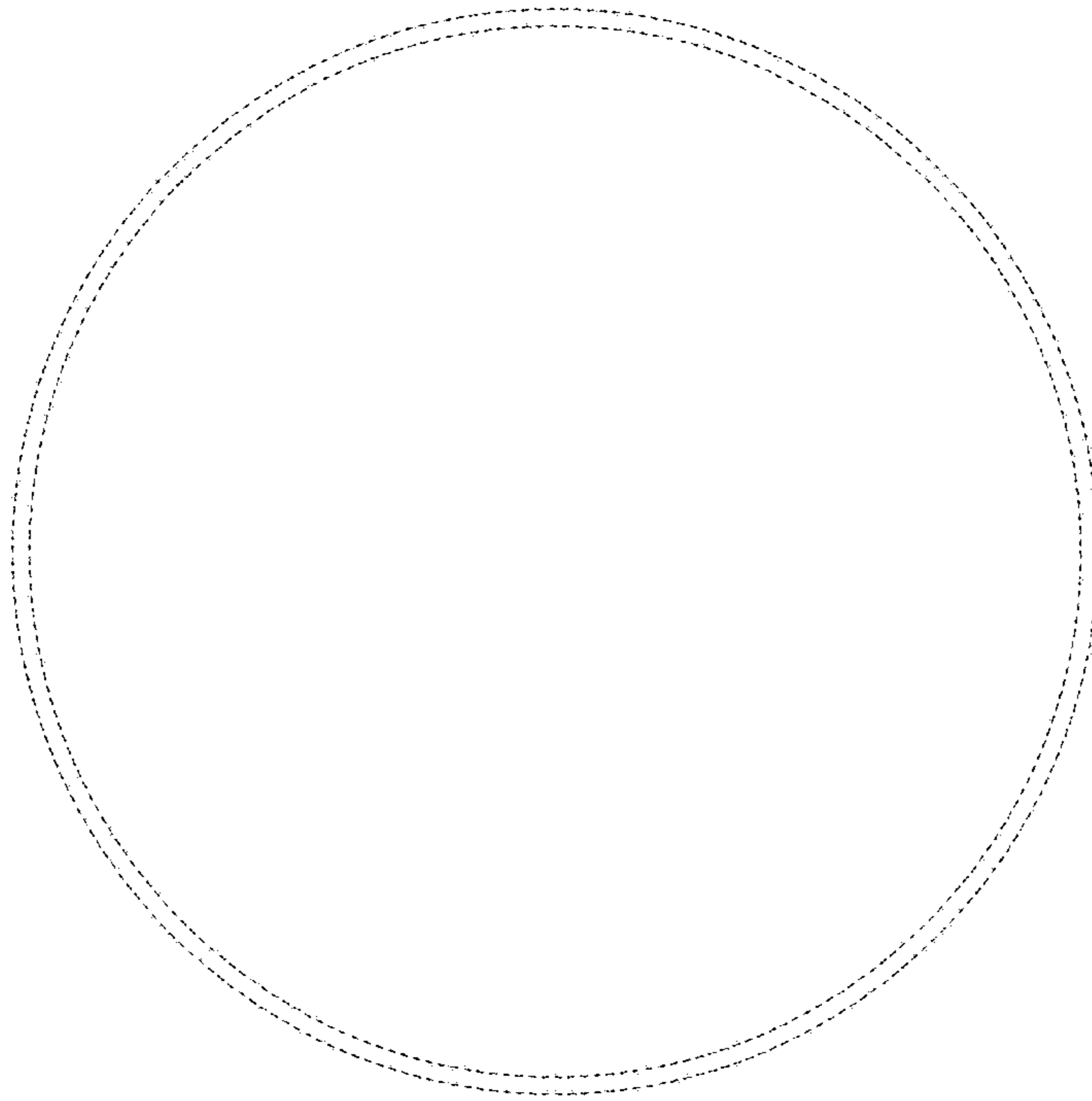


FIG. 7

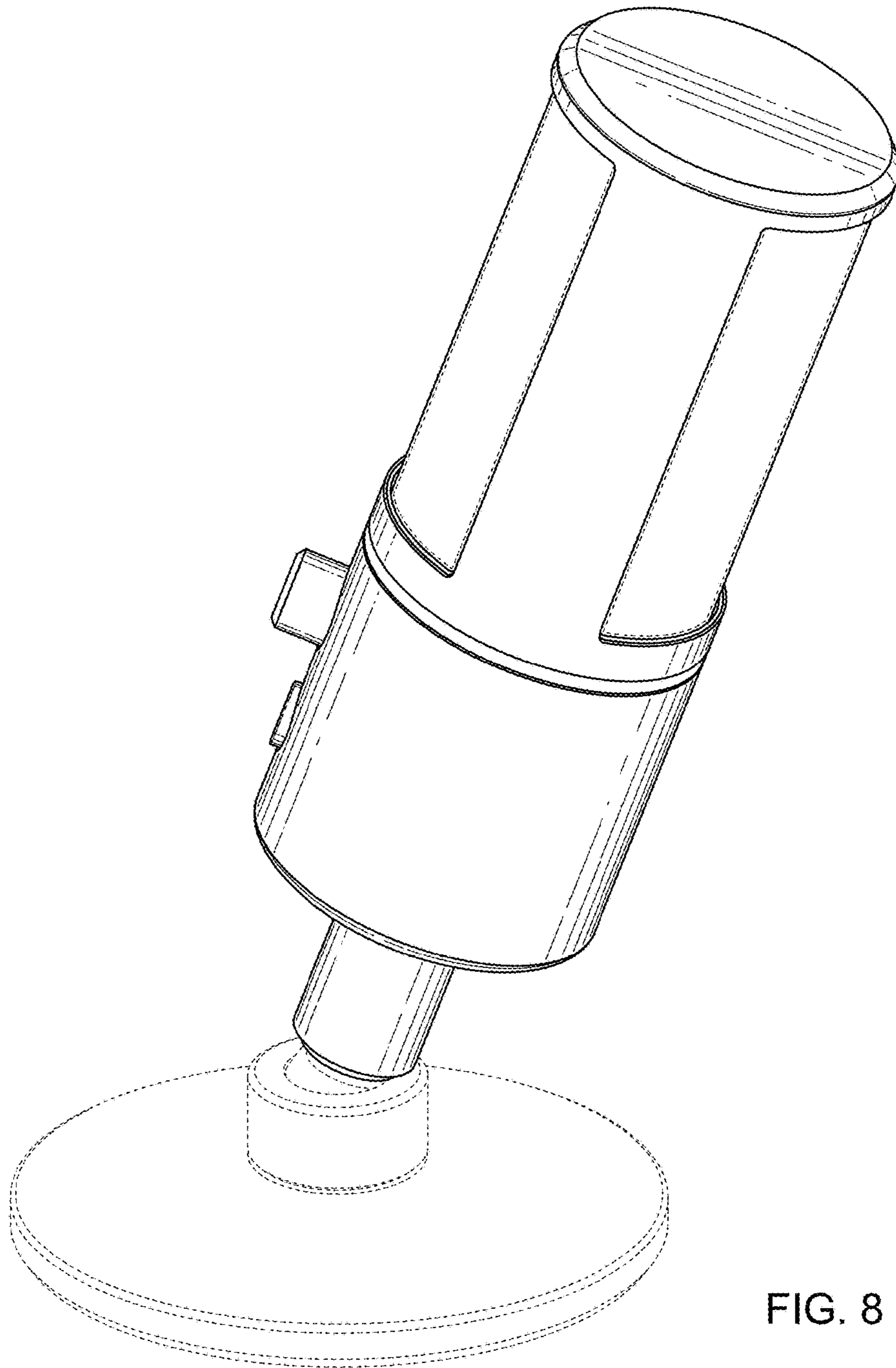


FIG. 8