



US00D835611S

(12) **United States Design Patent** (10) **Patent No.:** **US D835,611 S**
Yun (45) **Date of Patent:** **** Dec. 11, 2018**

(54) **CHARGING STAND FOR WIRELESS EARPIECE CASE**

(71) Applicant: **SPIGEN KOREA CO., LTD.**, Seoul (KR)

(72) Inventor: **Sun Woo Yun**, Seoul (KR)

(73) Assignee: **SPIGEN KOREA CO., LTD.**, Seoul (KR)

(**) Term: **15 Years**

(21) Appl. No.: **29/590,468**

(22) Filed: **Jan. 10, 2017**

Related U.S. Application Data

(63) Continuation-in-part of application No. 29/589,375, filed on Dec. 30, 2016, and a continuation-in-part of (Continued)

(51) **LOC (11) Cl.** **14-01**

(52) **U.S. Cl.**
USPC **D14/224; D14/217; D14/434; D13/108**

(58) **Field of Classification Search**
USPC **D14/107, 108, 168, 217, 224, 240, 251, D14/252, 253, 434, 447**

(Continued)

(56) **References Cited**

U.S. PATENT DOCUMENTS

D277,662 S 2/1985 Huntington et al.
D354,041 S 1/1995 Scheid et al.

(Continued)

Primary Examiner — Janice Hallmark

(74) *Attorney, Agent, or Firm* — Heedong Chae; Lucem, PC

(57) **CLAIM**

The ornamental design for a charging stand for wireless earpiece case, as shown and described.

DESCRIPTION

FIG. 1 is a front perspective view of a charging stand for wireless earpiece case, showing my new design, in a fully assembled state;

FIG. 2 is a rear perspective view thereof;

FIG. 3 is a front elevational view thereof;

FIG. 4 is a rear elevational view thereof;

FIG. 5 is a left side elevational view thereof;

FIG. 6 is a right side elevational view thereof;

FIG. 7 is a top plan view thereof;

FIG. 8 is a bottom plan view thereof;

FIG. 9 is a front perspective view of the top portion of the charging stand assembly for a wireless earpiece case shown removed for clarity of disclosure;

FIG. 10 is a rear perspective view thereof;

FIG. 11 is a front perspective view of the bottom portion of the charging stand for a wireless earpiece case shown removed for clarity of disclosure;

FIG. 12 is a rear perspective view thereof;

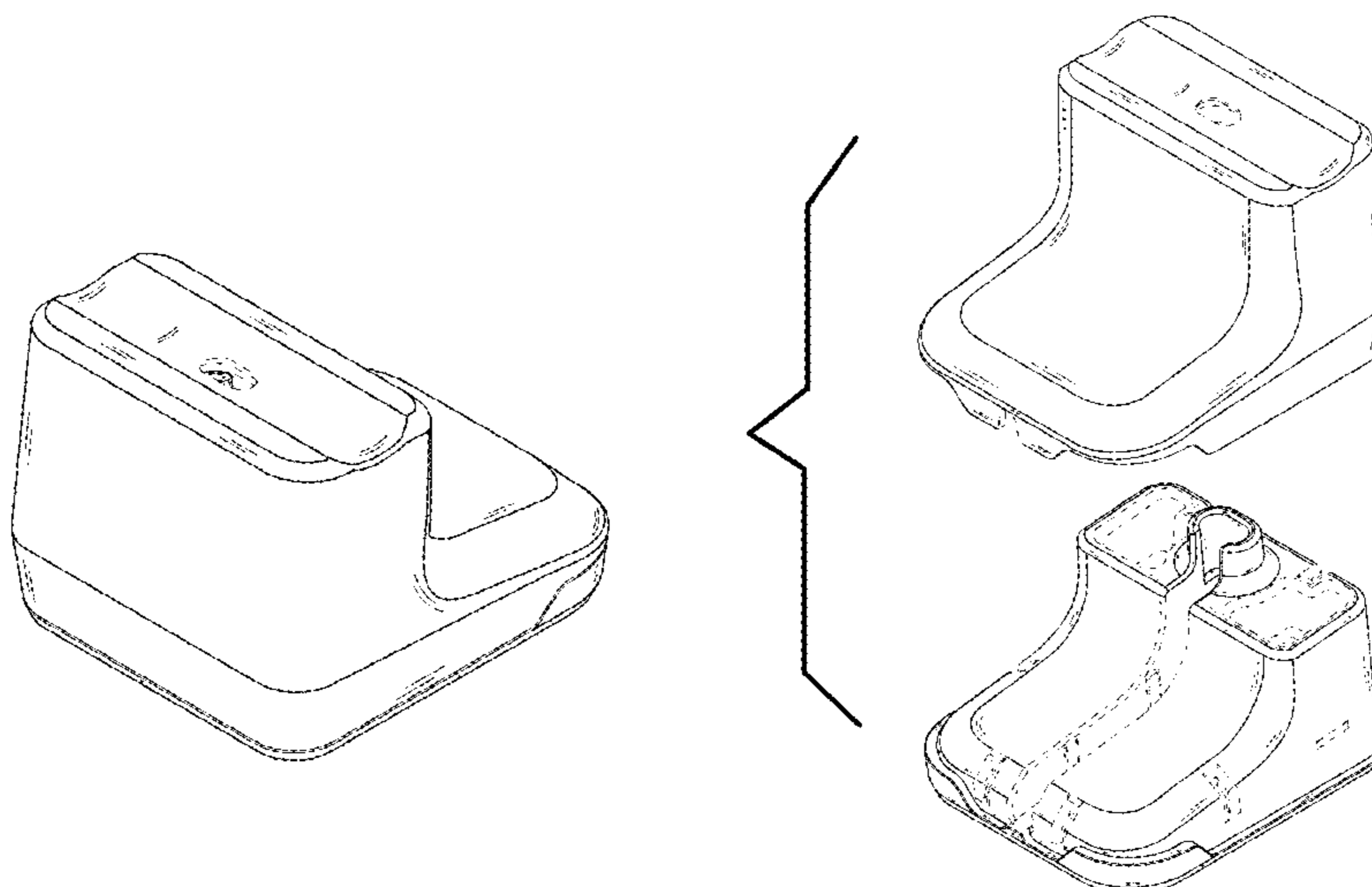
FIG. 13 is a front perspective view of the charging stand assembly for a wireless earpiece case shown in an exploded view for clarity of disclosure;

FIG. 14 is a rear perspective view thereof; and,

FIG. 15 is a front perspective view of the charging stand assembly for a wireless earpiece case shown in a state of use with a wireless earpiece case shown in broken line.

The broken lines in FIGS. 1 to 14 depict portions of the charging stand assembly for a wireless earpiece case that form no part of the claimed design. The broken lines in FIG. 15 depict environmental subject matter only and form no part of the claimed design. The broken lines and unshaded surfaces bounded by broken lines form no part of the claimed design.

1 Claim, 15 Drawing Sheets



Related U.S. Application Data

application No. 29/589,370, filed on Dec. 30, 2016,
now Pat. No. Des. 818,994.

(58) **Field of Classification Search**

CPC H01R 13/60; H01R 35/00; H01R 13/64
See application file for complete search history.

(56) **References Cited**

U.S. PATENT DOCUMENTS

D474,737 S	5/2003	Yoshida	
D489,325 S	5/2004	Nakamura	
D495,336 S	8/2004	Andre et al.	
D523,847 S	6/2006	Naruki	
D535,615 S *	1/2007	Iwai	D13/108
D553,106 S	10/2007	Griffin	
D564,959 S	3/2008	Heine et al.	
D597,939 S *	8/2009	Tkachuk	D13/108
D607,817 S *	1/2010	Tan	D13/108
D624,919 S	10/2010	Bull	
D628,562 S *	12/2010	Akana	D14/217

D638,831 S	5/2011	Paradise	
D645,027 S *	9/2011	Gougherty	D14/223
D655,293 S *	3/2012	Gioscia	D14/434
D662,089 S	6/2012	Gougherty et al.	
D664,958 S *	8/2012	McManigal	D14/434
D669,888 S *	10/2012	Gougherty	D14/223
D675,155 S	1/2013	Smith et al.	
D684,145 S *	6/2013	Rath	D14/206
D686,595 S	7/2013	Andre et al.	
D692,009 S *	10/2013	Ashida	D14/447
D702,665 S *	4/2014	Kim	D14/217
D705,158 S	5/2014	Gengler	
D711,316 S *	8/2014	Ryu	D13/108
8,838,029 B2 *	9/2014	Goldman	H04M 1/04 455/41.2
D730,888 S	6/2015	Malsan	
D735,132 S *	7/2015	Donohue, II	D13/108
D765,623 S	9/2016	Yang et al.	
D771,760 S *	11/2016	Riddiford	D21/694
D780,186 S *	2/2017	Lee	D14/253
D780,187 S *	2/2017	Lee	D14/253
D799,494 S *	10/2017	Lee	D14/447

* cited by examiner

FIG. 1

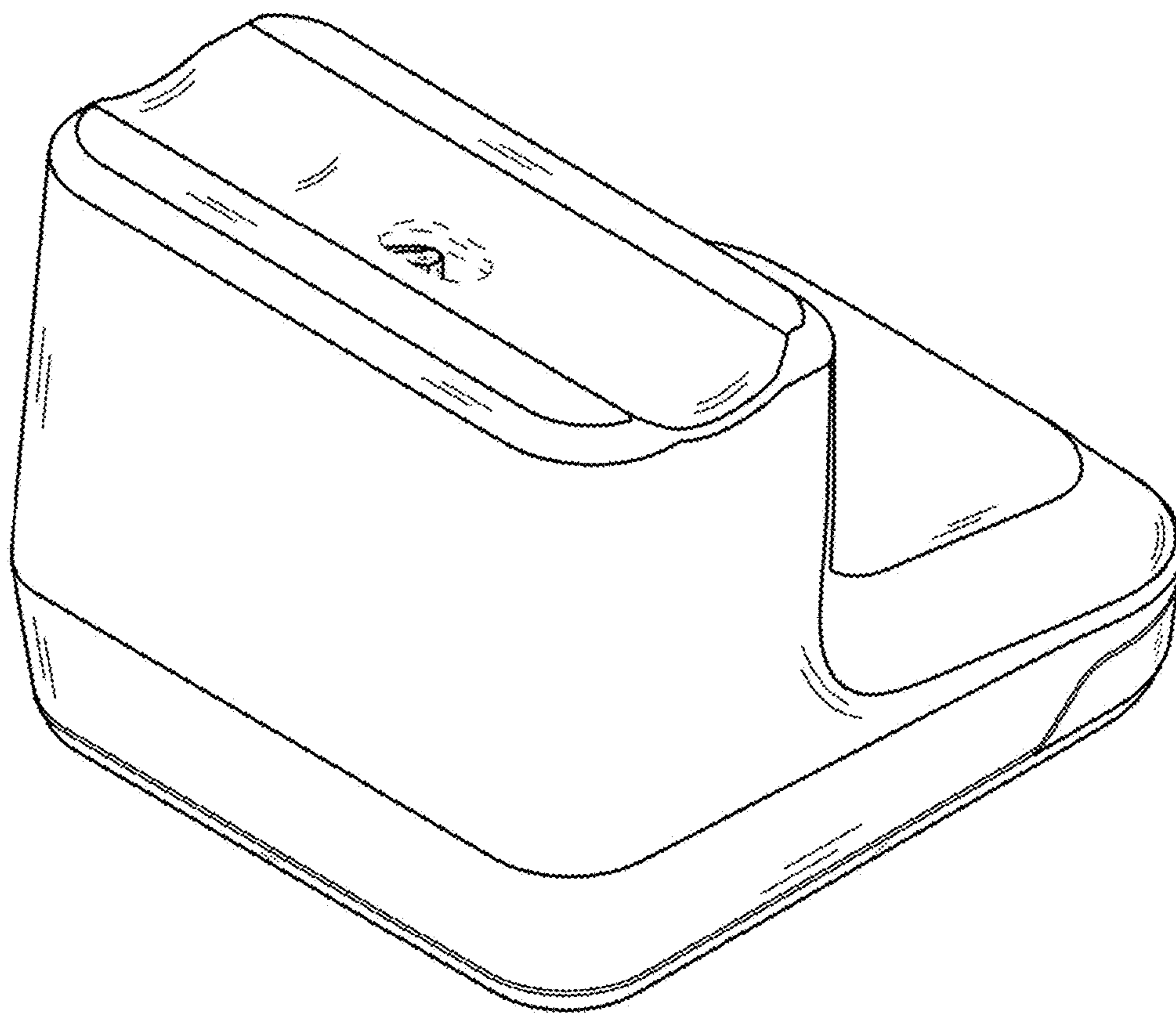


FIG. 2

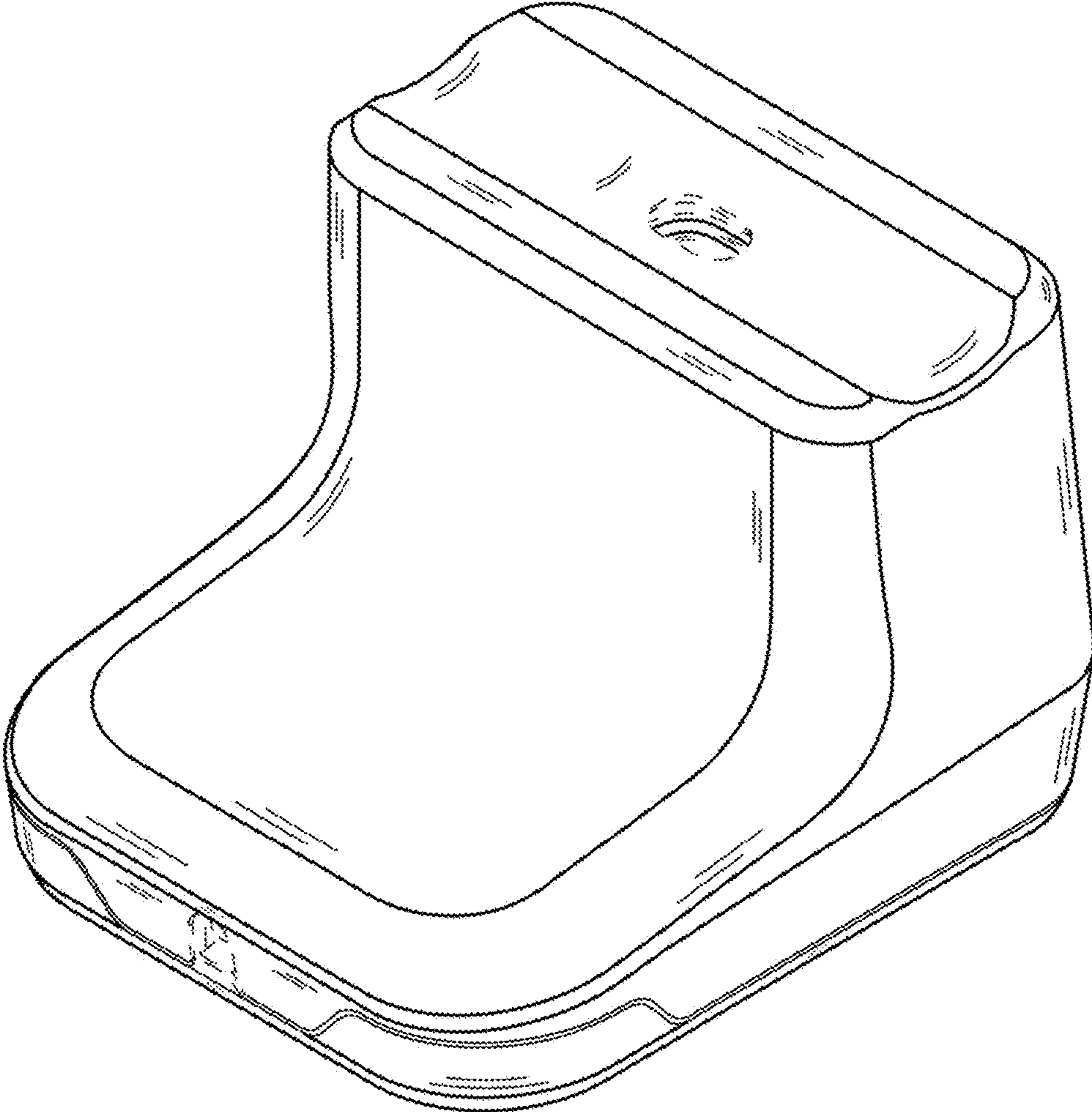


FIG. 3

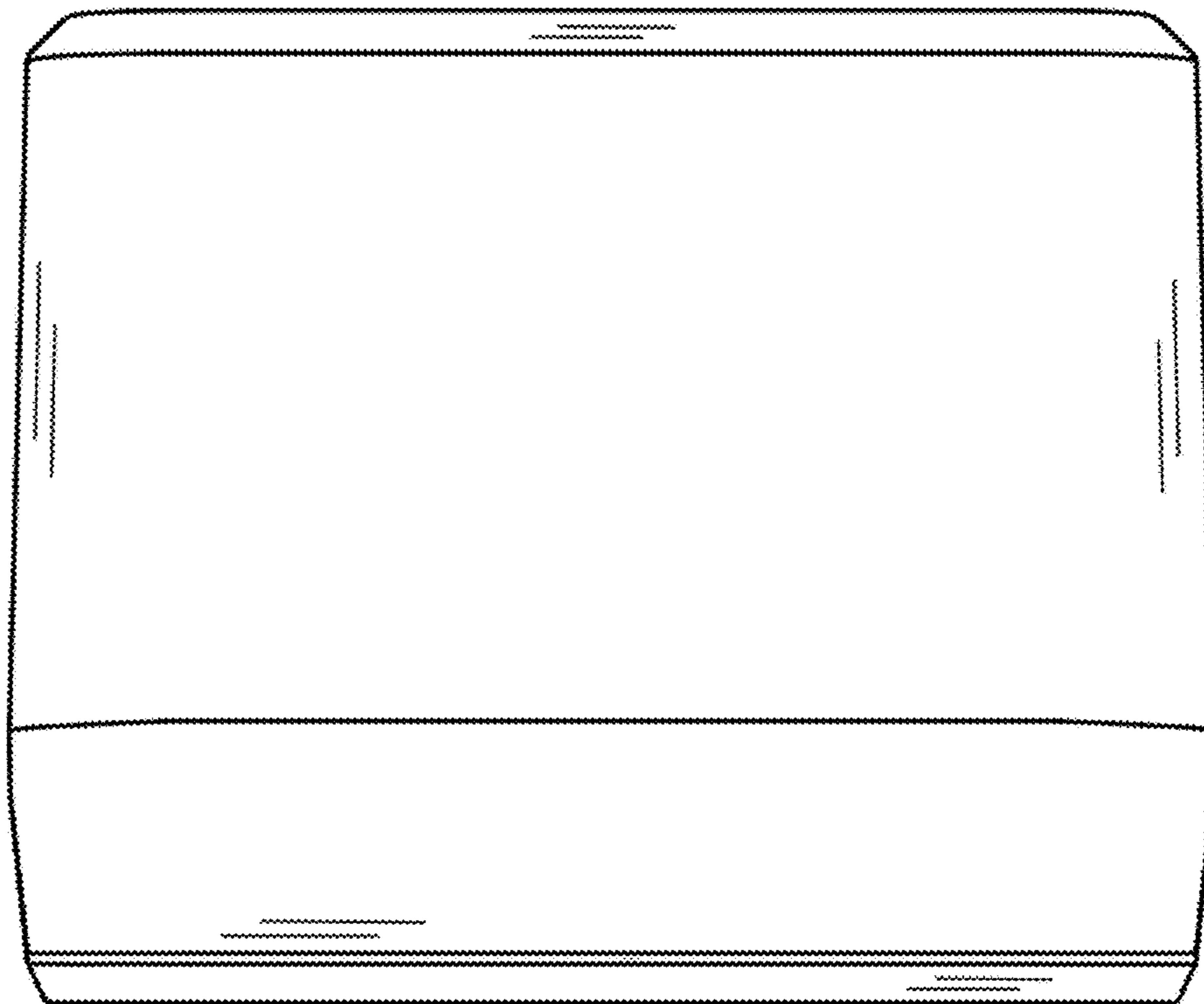


FIG. 4

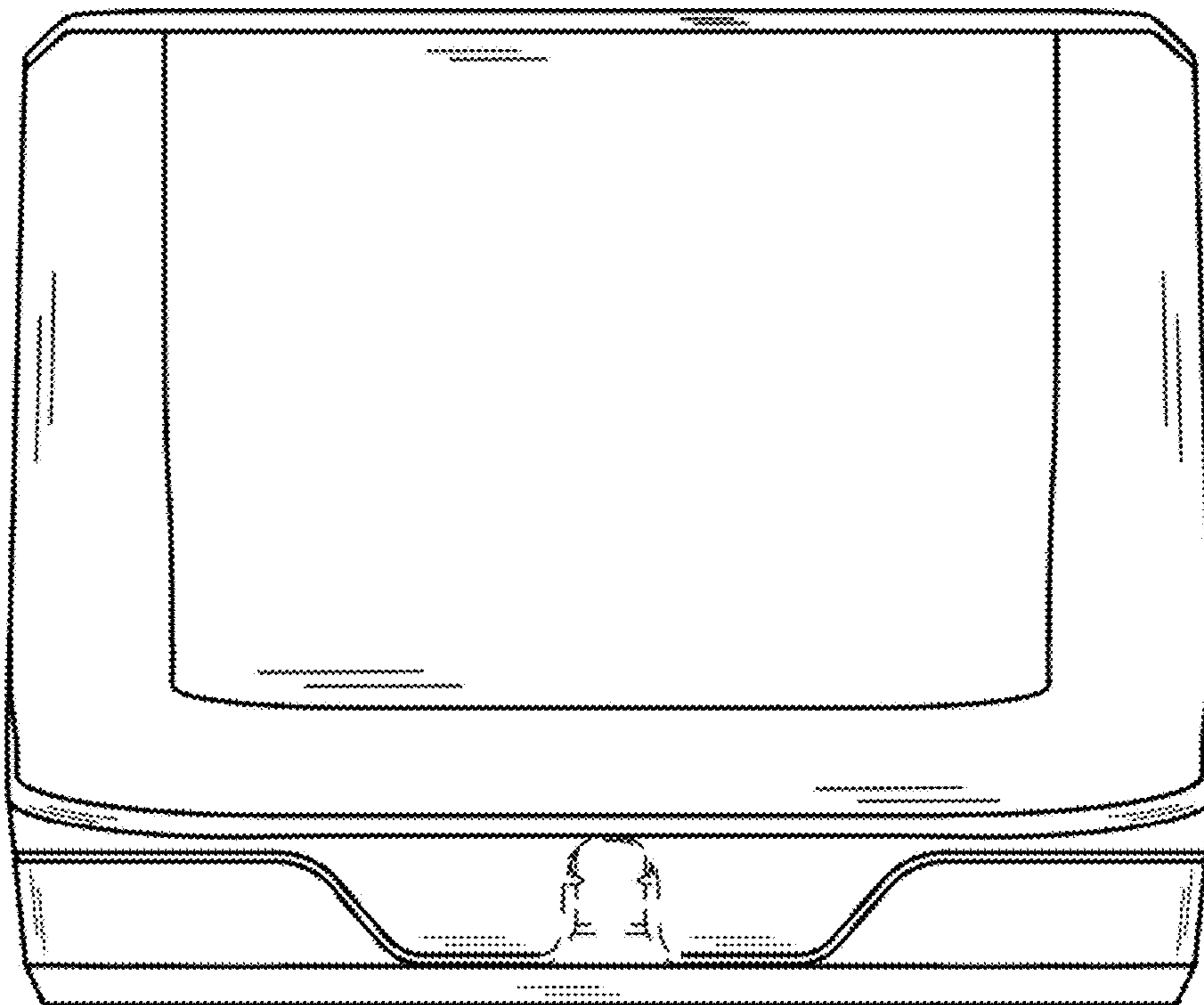


FIG. 5

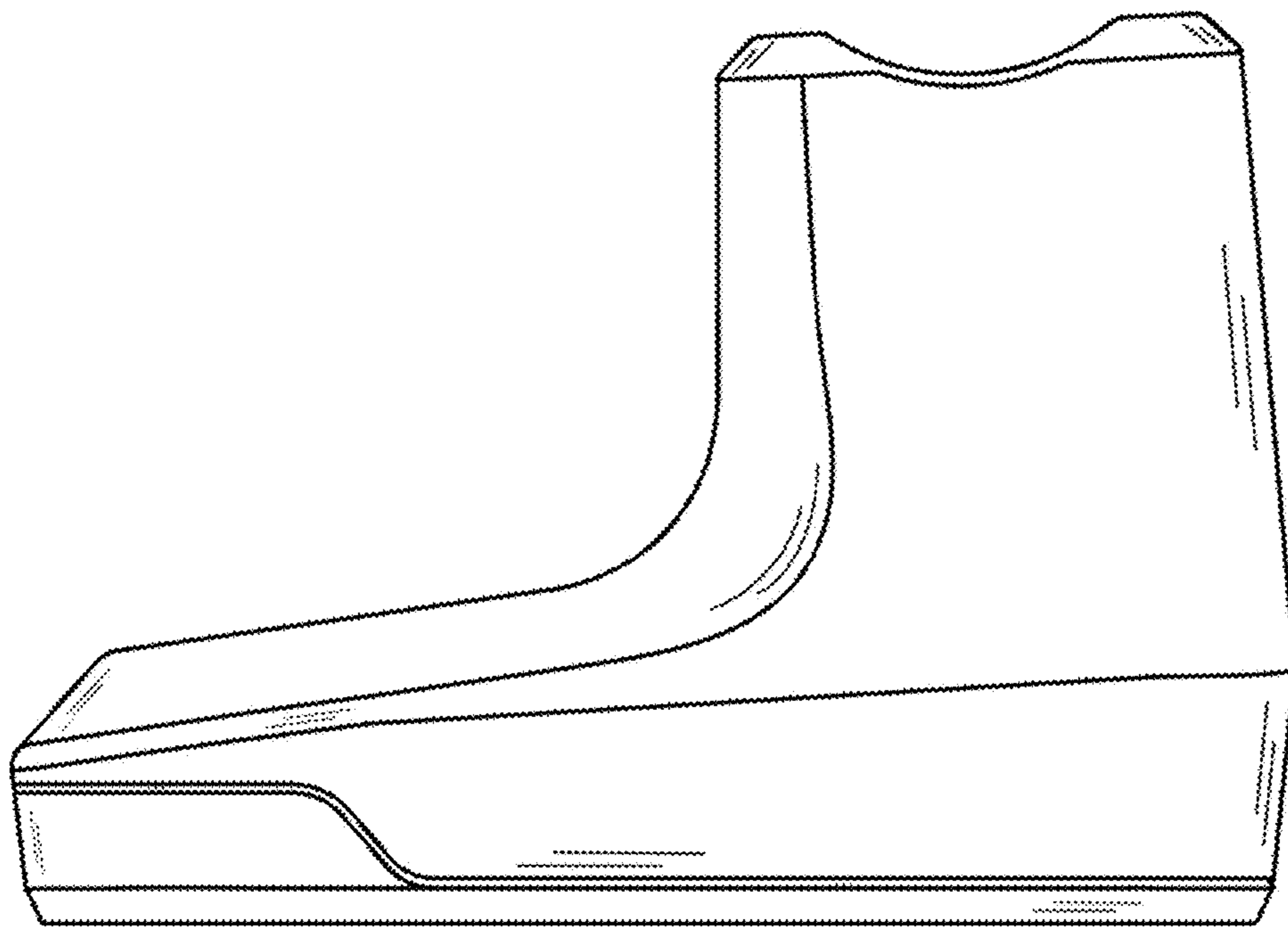


FIG. 6

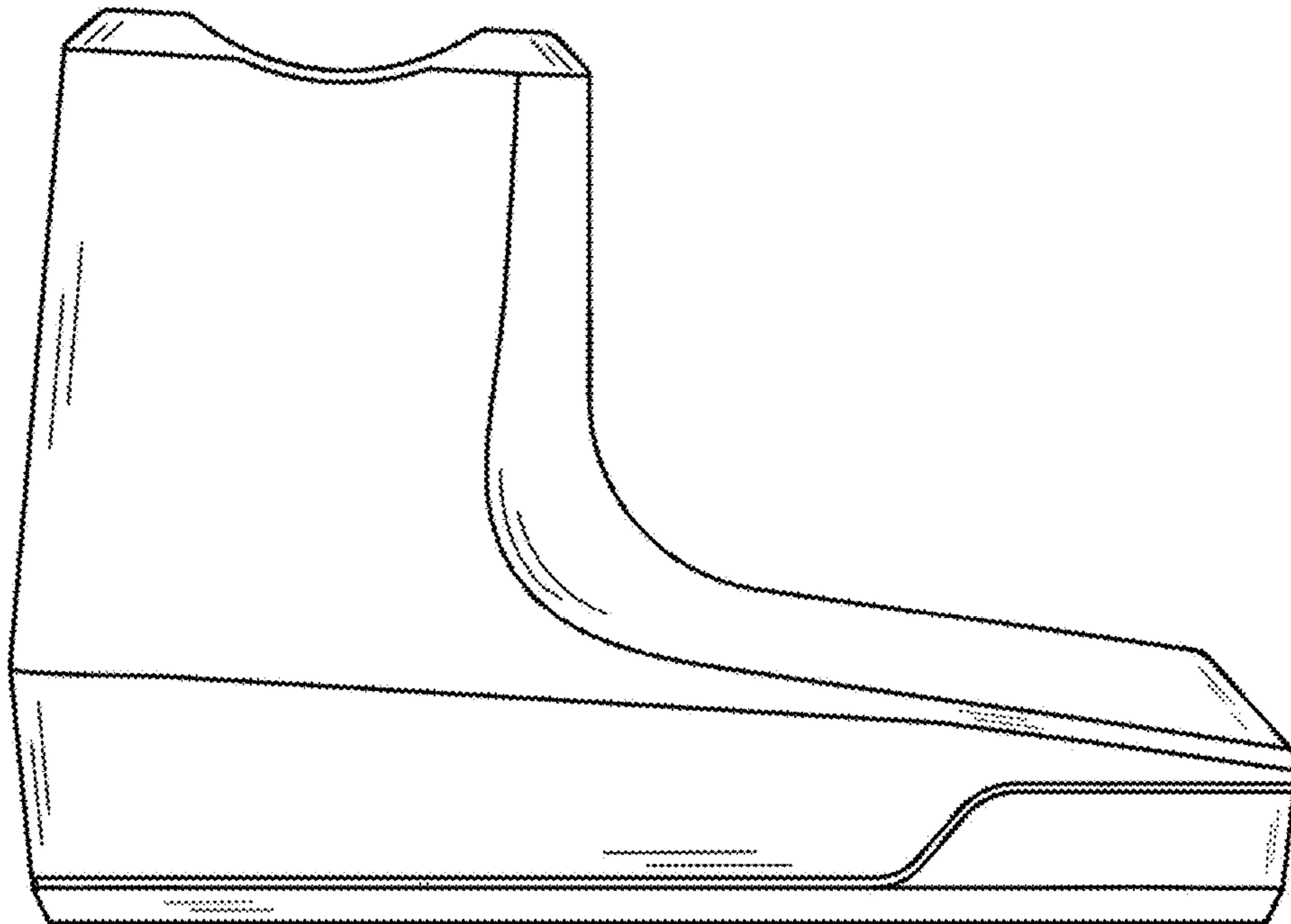


FIG. 7

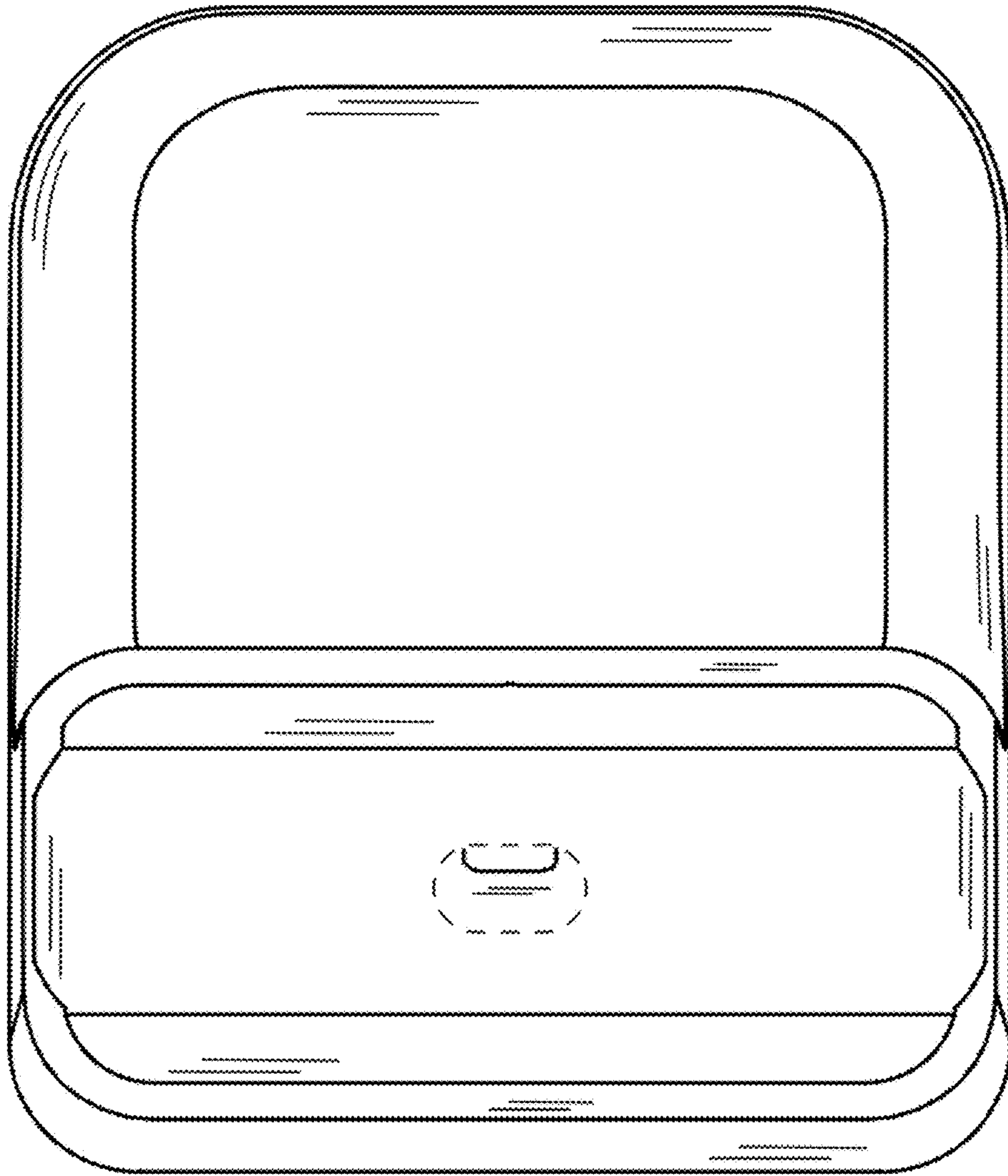


FIG. 8

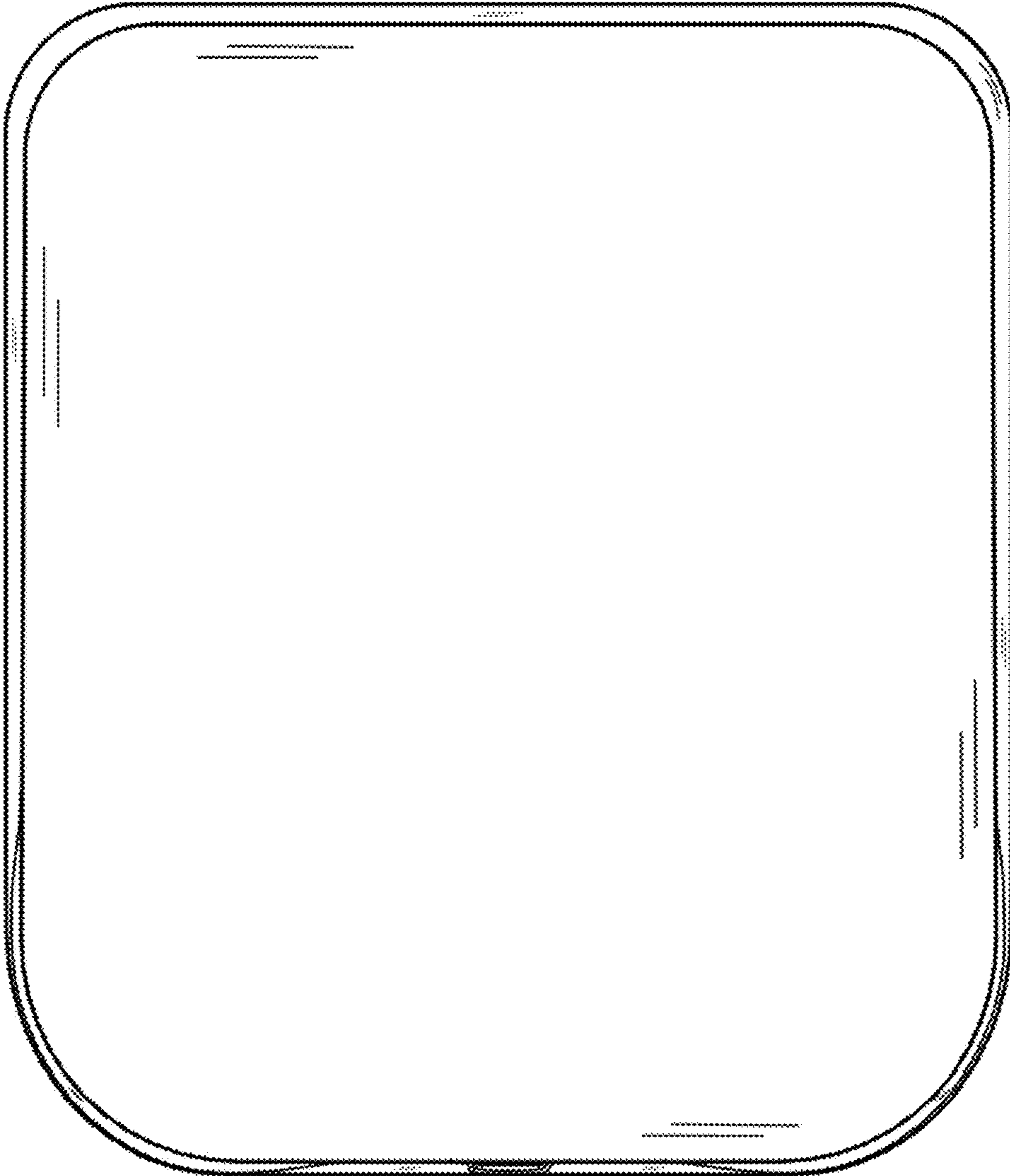


FIG. 9

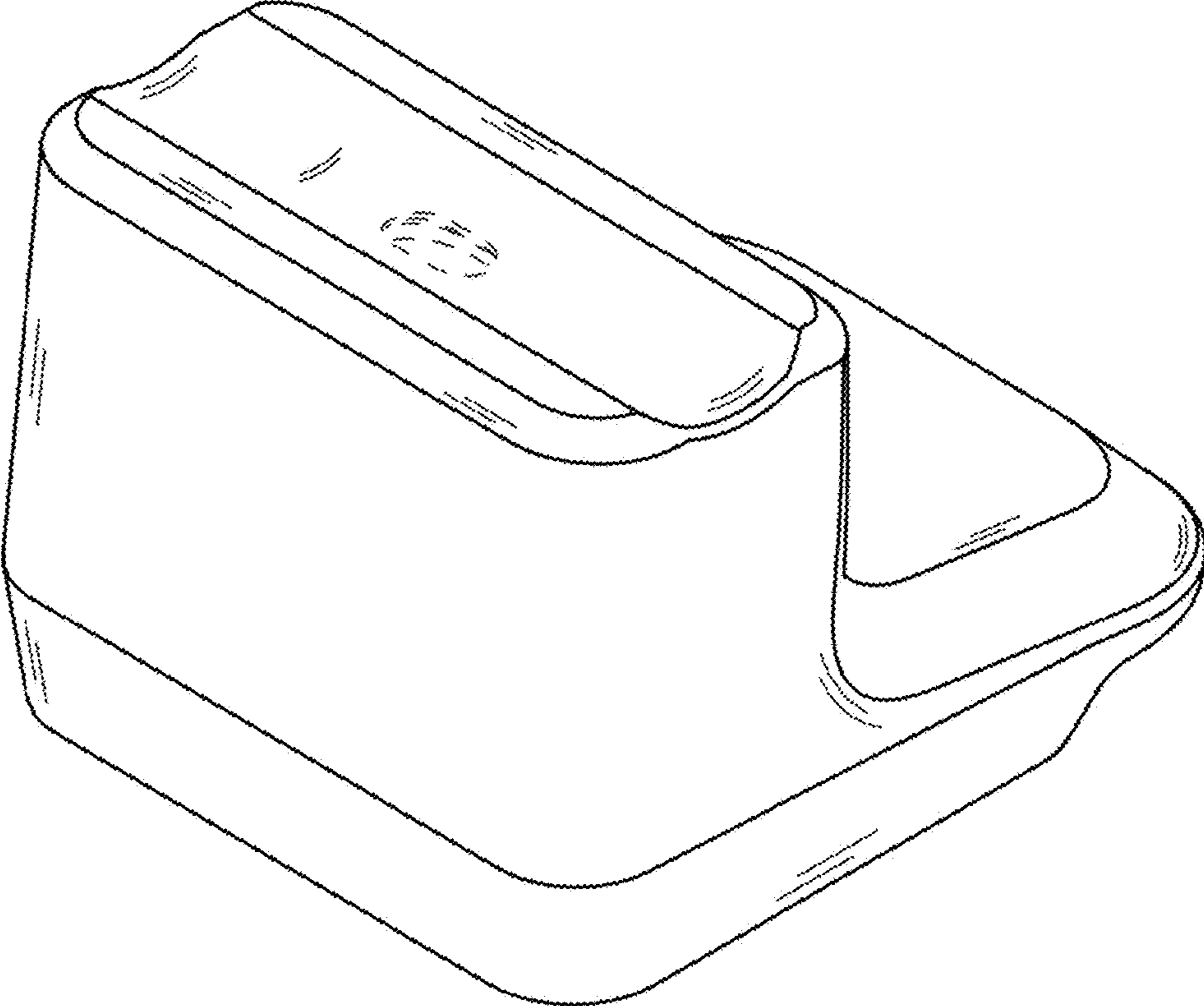


FIG. 10

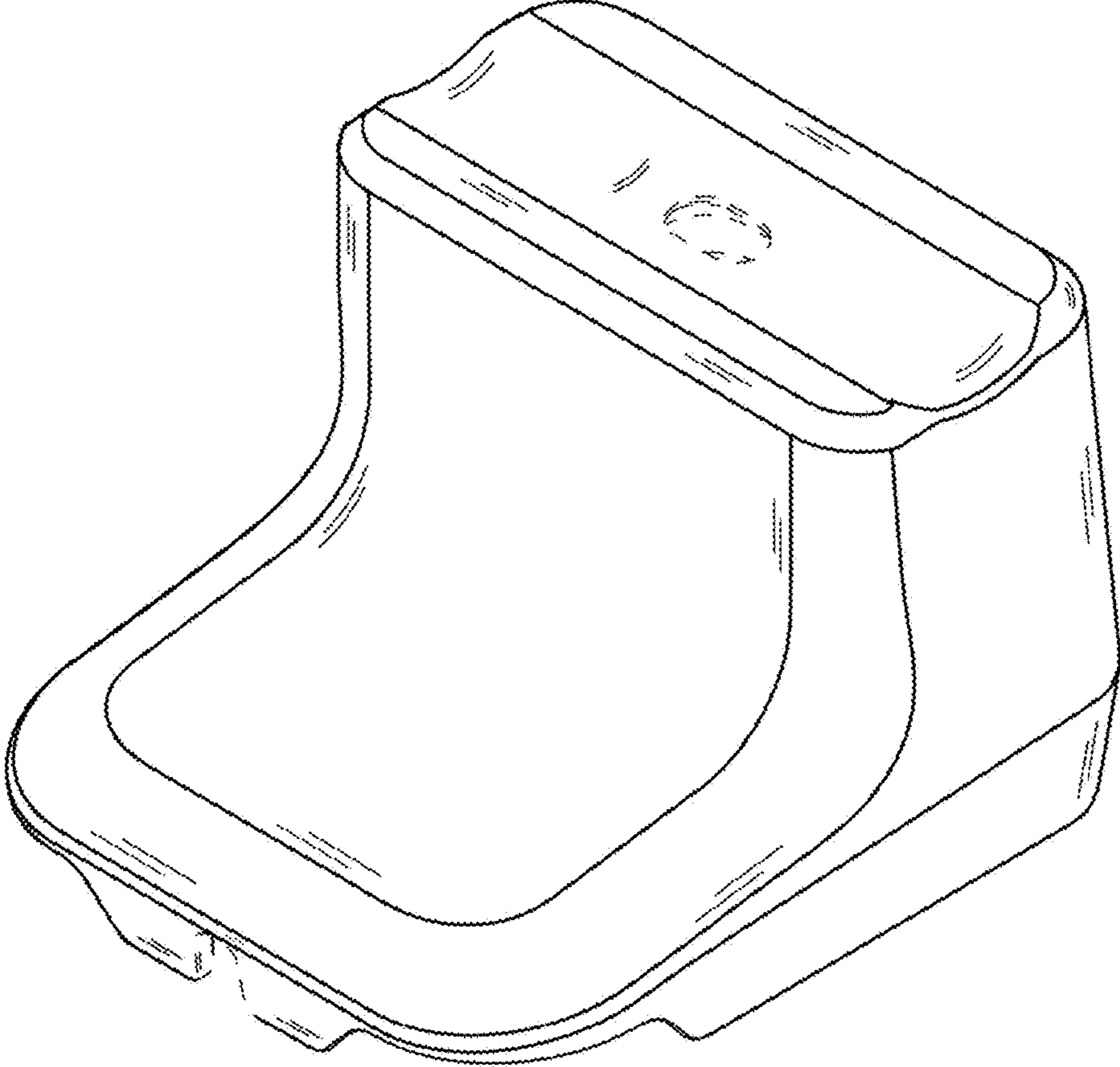


FIG. 11

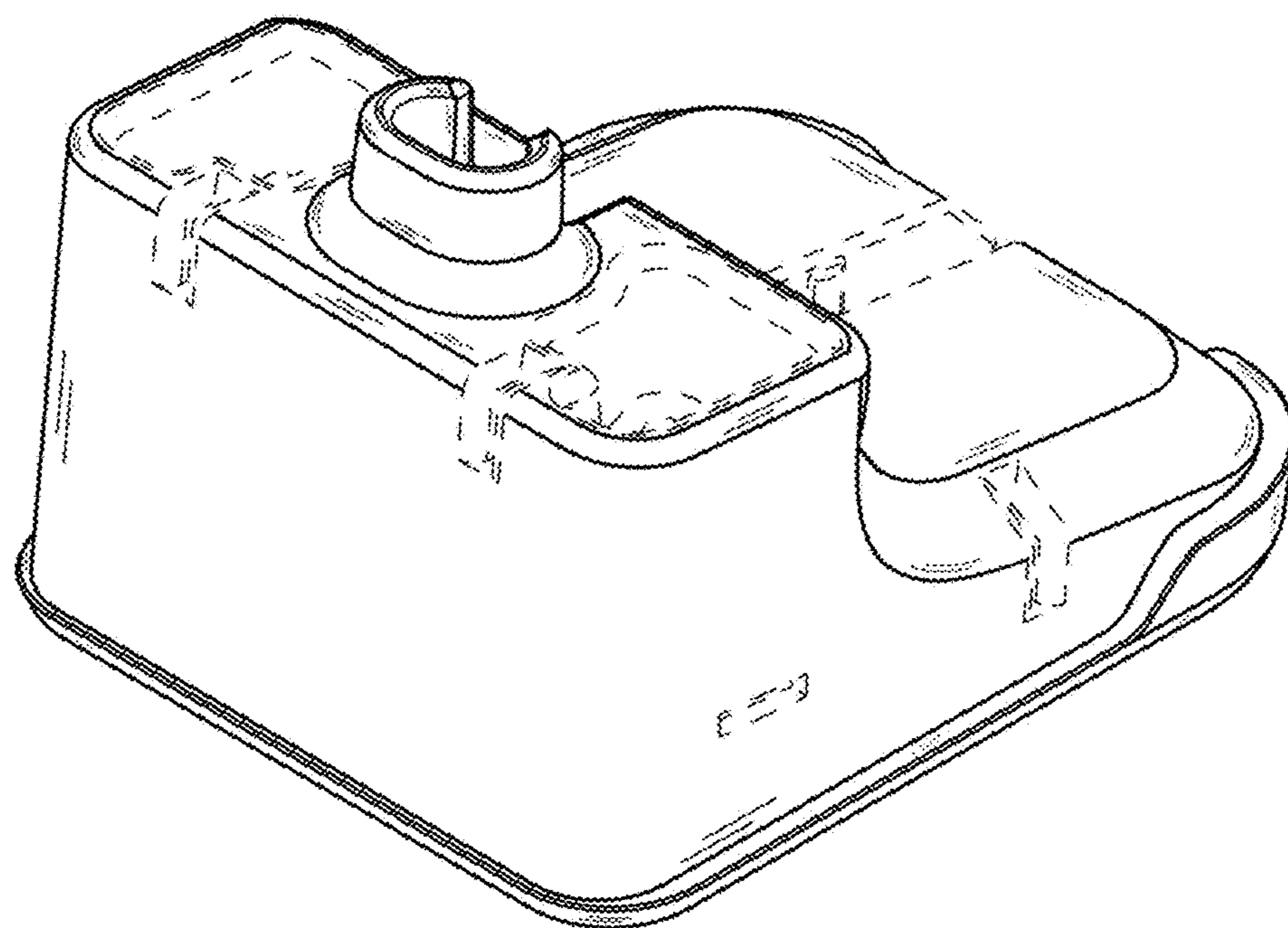


FIG. 12

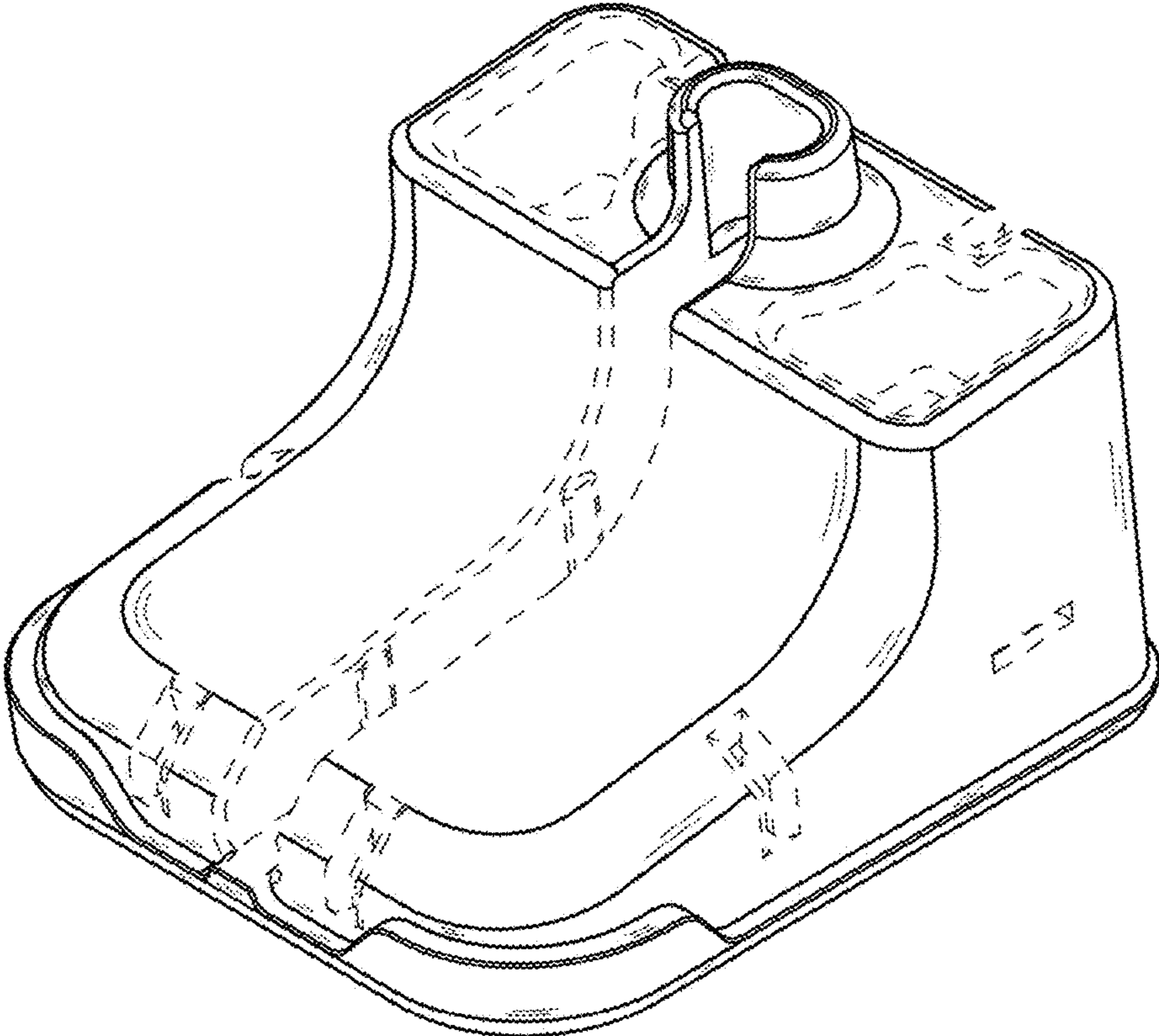


FIG. 13

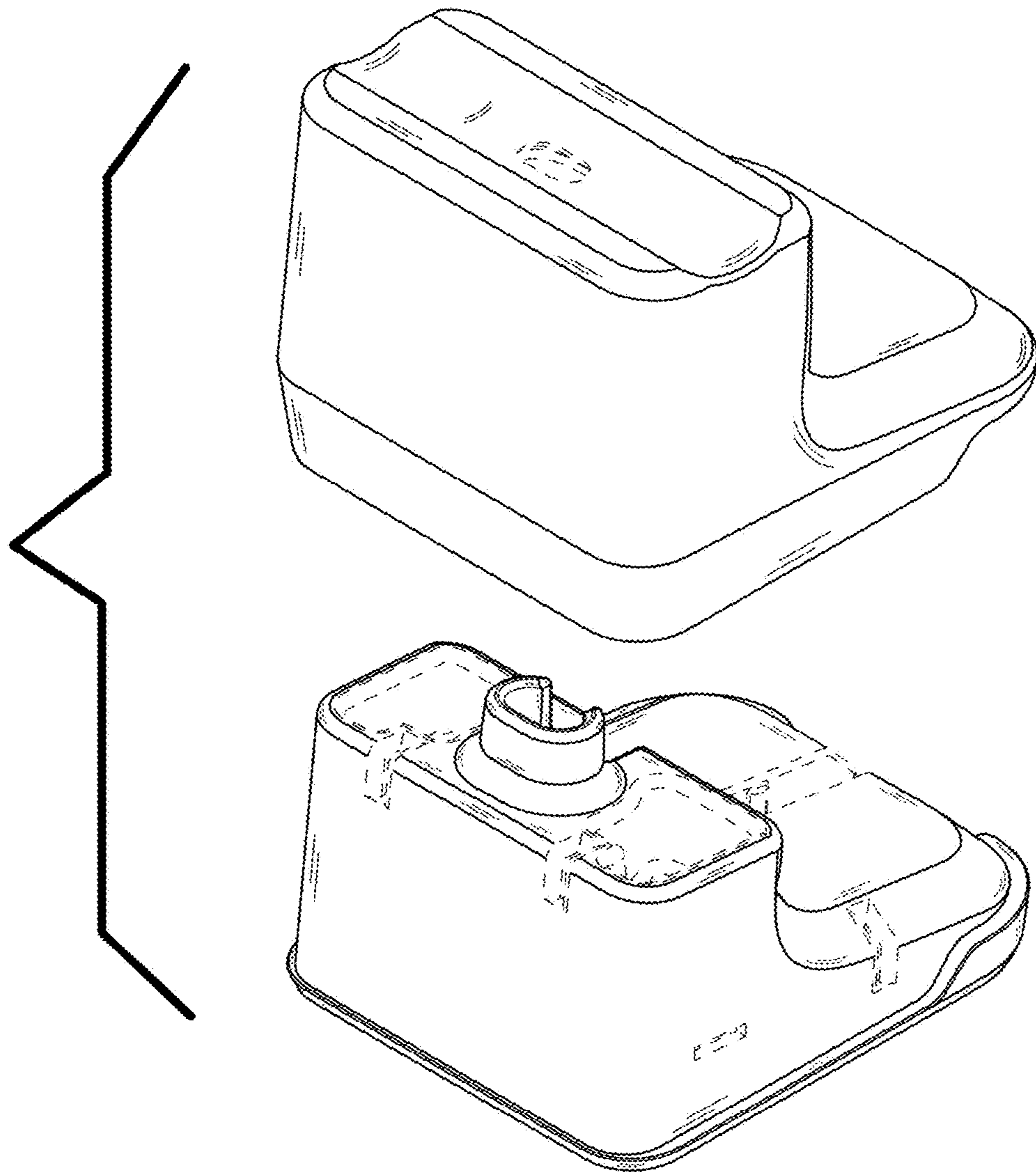


FIG. 14

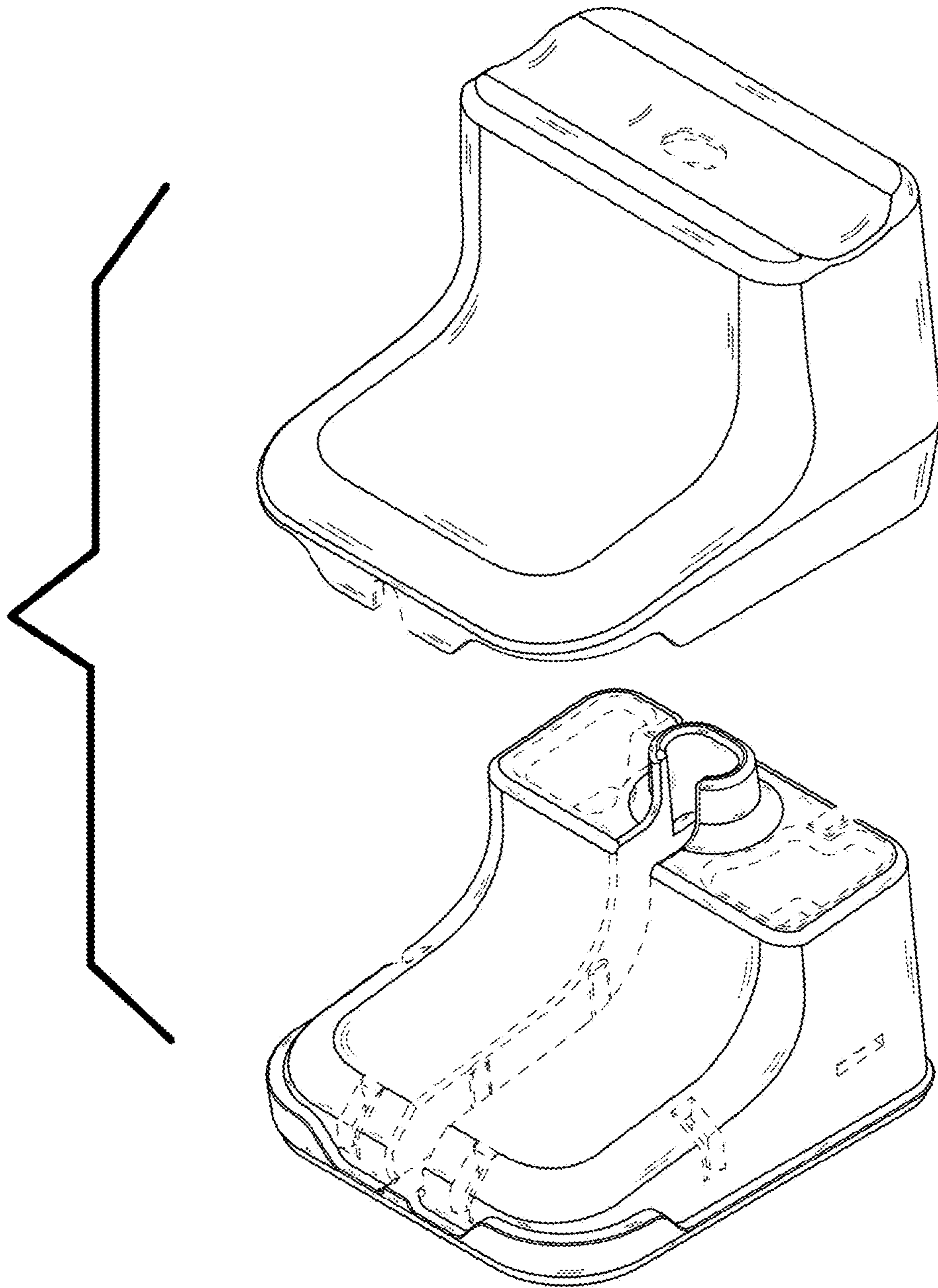


FIG. 15

