



US00D835609S

(12) **United States Design Patent** (10) **Patent No.:** **US D835,609 S**
Kim et al. (45) **Date of Patent:** **** Dec. 11, 2018**

(54) **SPEAKER**

CPC ... H04R 9/06; H04R 7/12; H04R 1/02; H04R 5/02; H04M 1/035; H04M 1/03
See application file for complete search history.

(71) Applicant: **LG ELECTRONICS INC.**, Seoul (KR)

(56) **References Cited**

(72) Inventors: **Sangwook Kim**, Seoul (KR); **Misun Park**, Seoul (KR); **Jeonga Shin**, Seoul (KR); **Kyongtae Han**, Seoul (KR); **Seongyeong Park**, Seoul (KR); **Hiroshi Fujita**, Seoul (KR)

U.S. PATENT DOCUMENTS

(73) Assignee: **LG ELECTRONICS INC.**, Seoul (KR)

| | | | | | | |
|-----------|----|---|---------|----------|-------|------------|
| D640,667 | S | * | 6/2011 | Lee | | D14/211 |
| D687,813 | S | * | 8/2013 | Lee | | D14/211 |
| 9,052,076 | B2 | * | 6/2015 | Peters | | F21S 10/00 |
| D740,253 | S | * | 10/2015 | Jeon | | D14/204 |
| D740,790 | S | * | 10/2015 | Judd | | D14/213 |
| 9,155,975 | B2 | * | 10/2015 | Capriola | | H01R 33/92 |
| D743,378 | S | * | 11/2015 | Kim | | D14/213 |
| D749,059 | S | * | 2/2016 | Hinokio | | D14/216 |
| D749,060 | S | * | 2/2016 | Hinokio | | D14/216 |
| D761,228 | S | * | 7/2016 | Cho | | D14/204 |
| D783,000 | S | * | 4/2017 | Koo | | D14/209.1 |
| D793,996 | S | * | 8/2017 | Katz | | D14/224 |
| D800,687 | S | * | 10/2017 | Kim | | D14/204 |
| D801,308 | S | * | 10/2017 | Ahn | | D14/216 |
| D804,444 | S | * | 12/2017 | Ahn | | D14/204 |
| D817,923 | S | * | 5/2018 | Hong | | D14/211 |

(**) Term: **15 Years**

(21) Appl. No.: **35/503,314**

(22) Filed: **Jan. 3, 2017**

* cited by examiner

(80) **Hague Agreement Data**

Int. Filing Date: **Jan. 3, 2017**
Int. Reg. No.: **DM/095241**
Int. Reg. Date: **Jan. 3, 2017**
Int. Reg. Pub. Date: **Jul. 7, 2017**

Primary Examiner — Melanie H Tung
Assistant Examiner — Bao-Yen T Nguyen
(74) *Attorney, Agent, or Firm* — Birch, Stewart, Kolasch & Birch, LLP

(30) **Foreign Application Priority Data**

Jul. 5, 2016 (KR) 30-2016-0032799

(51) **LOC (11) Cl.** **14-01**

(52) **U.S. Cl.**
USPC **D14/216**

(58) **Field of Classification Search**
USPC D14/167, 168, 170-172, 188, 194-196,
D14/204, 207, 209, 209.1, 210-216, 221,
D14/222, 224, 496

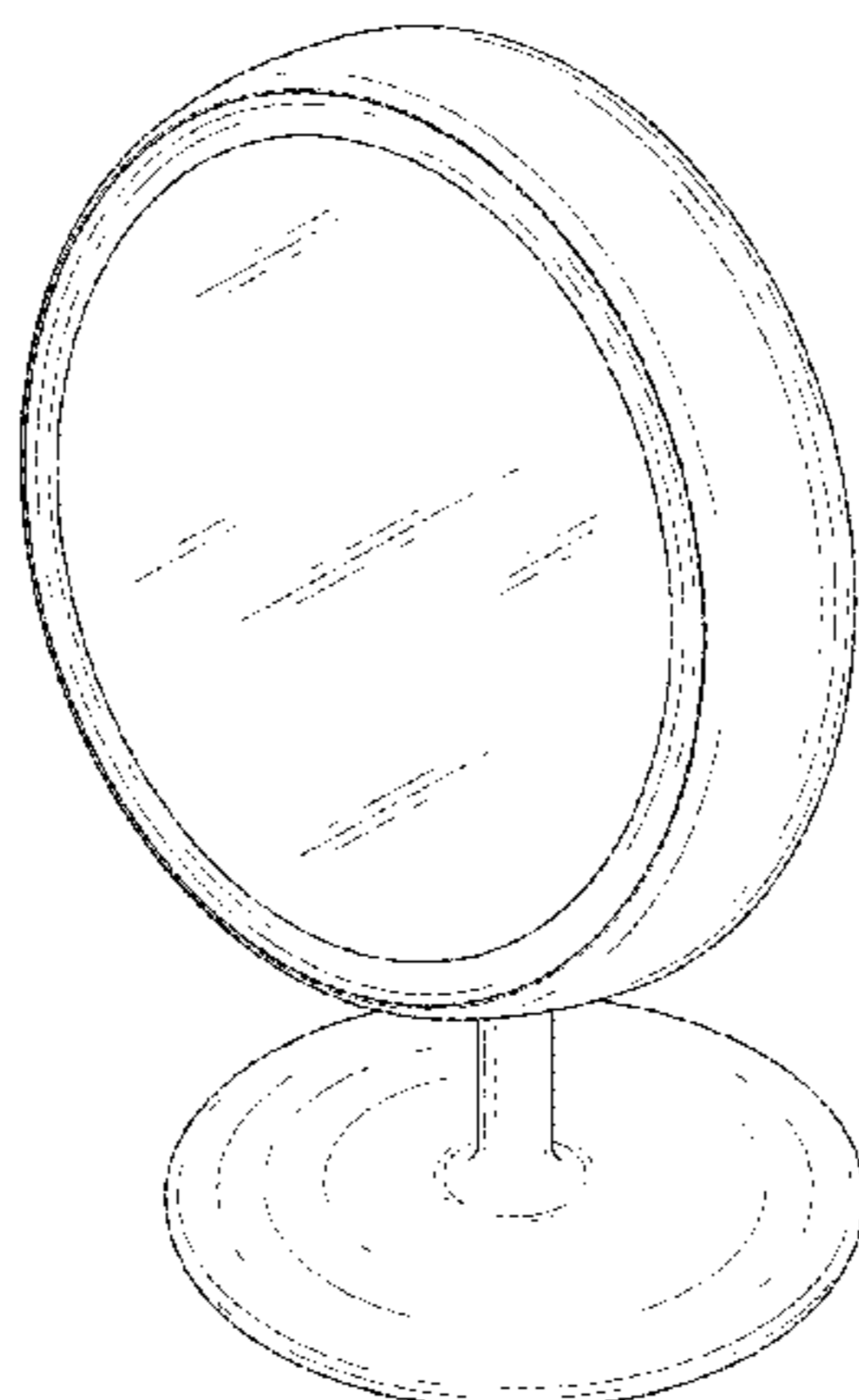
(57) **CLAIM**

The ornamental design for a speaker, as shown and described.

DESCRIPTION

- 1. Speaker
- 1.1 : Perspective
- 1.2 : Front
- 1.3 : Back
- 1.4 : Left
- 1.5 : Right
- 1.6 : Top
- 1.7 : Bottom

(Continued)

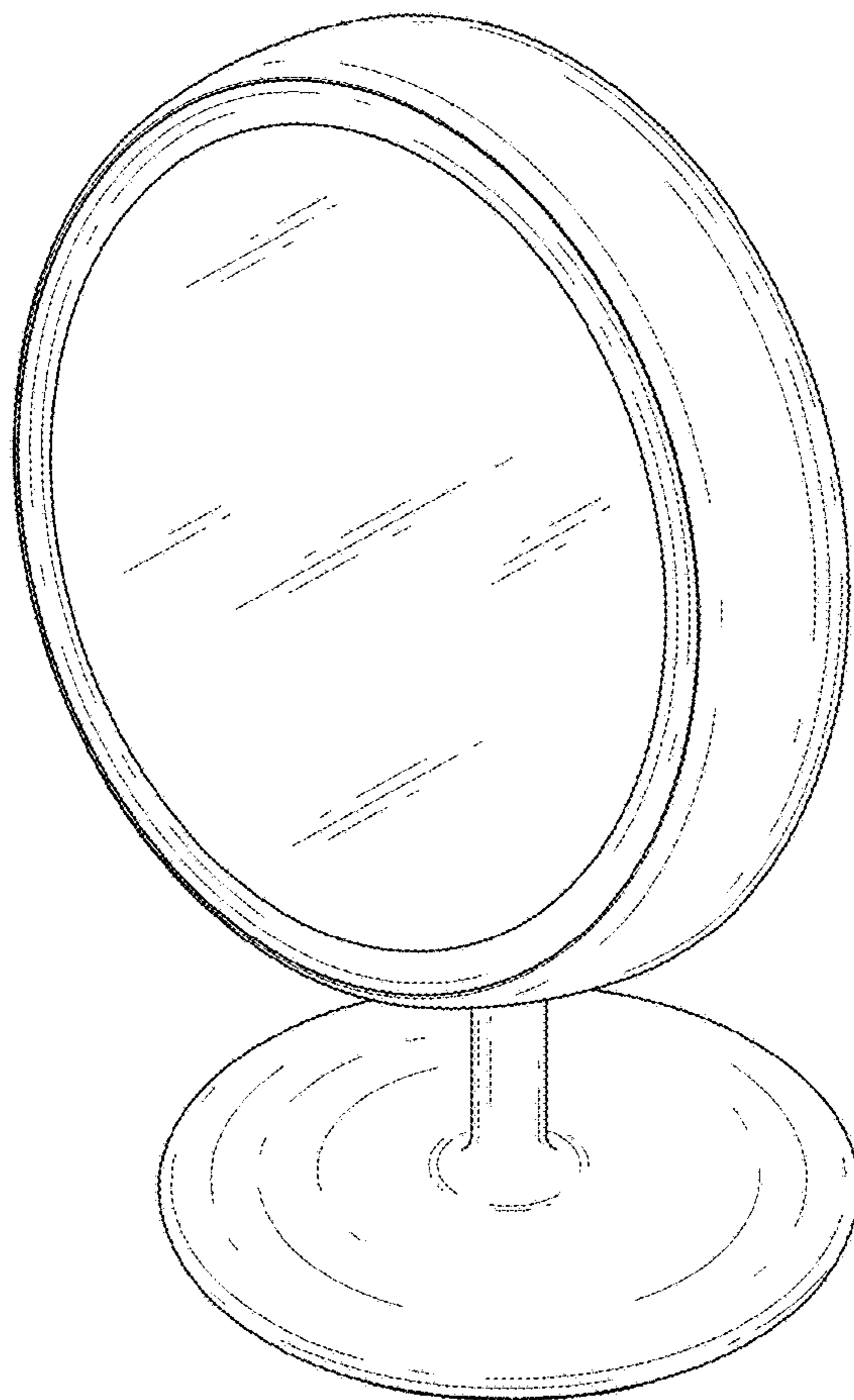


1.8 : Right side view showing the upper speaker portion in an alternate position

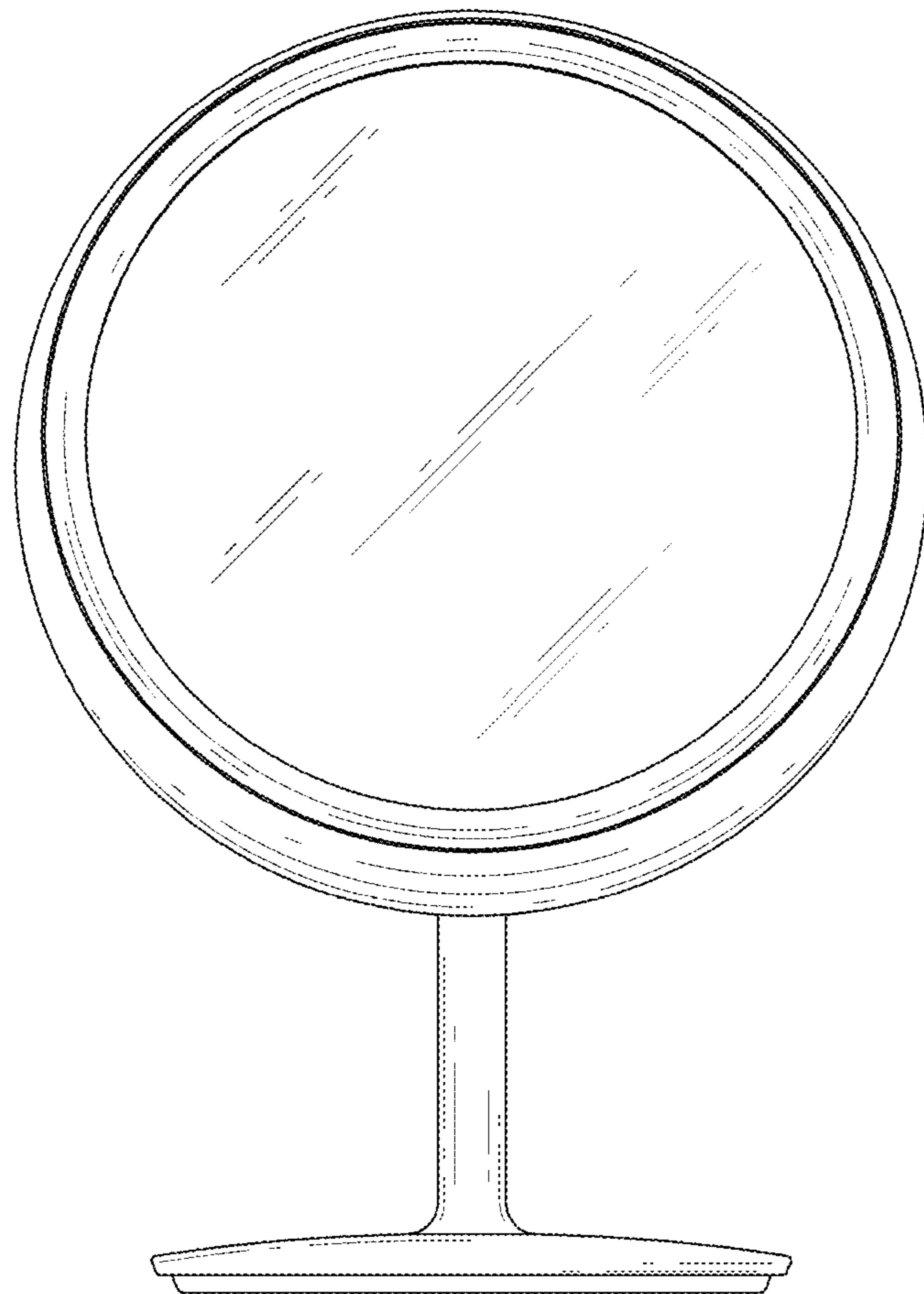
The broken lines shown in figure 1.7 depict portions of the speaker that form no part of the claimed design.

1 Claim, 7 Drawing Sheets

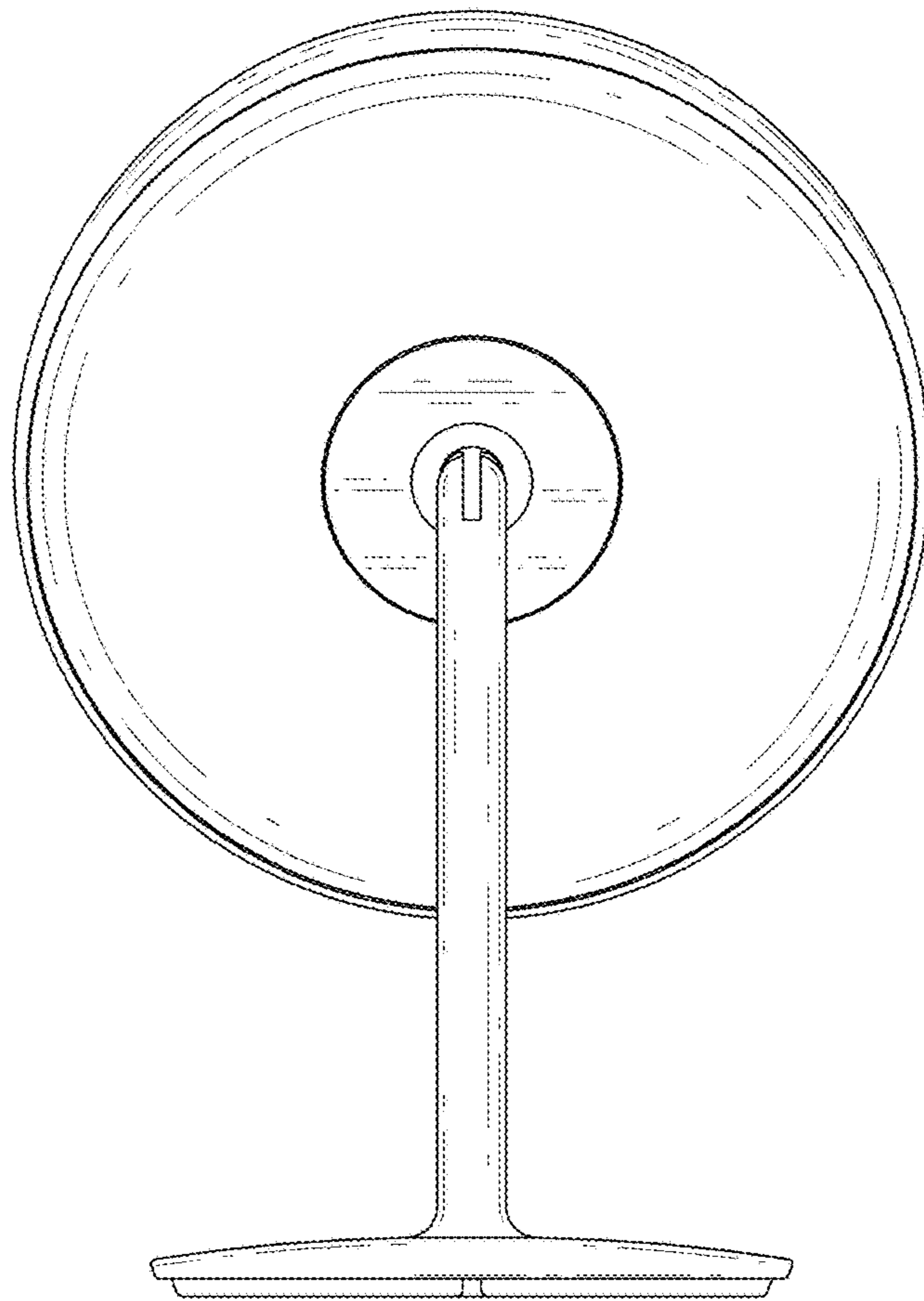
1.1



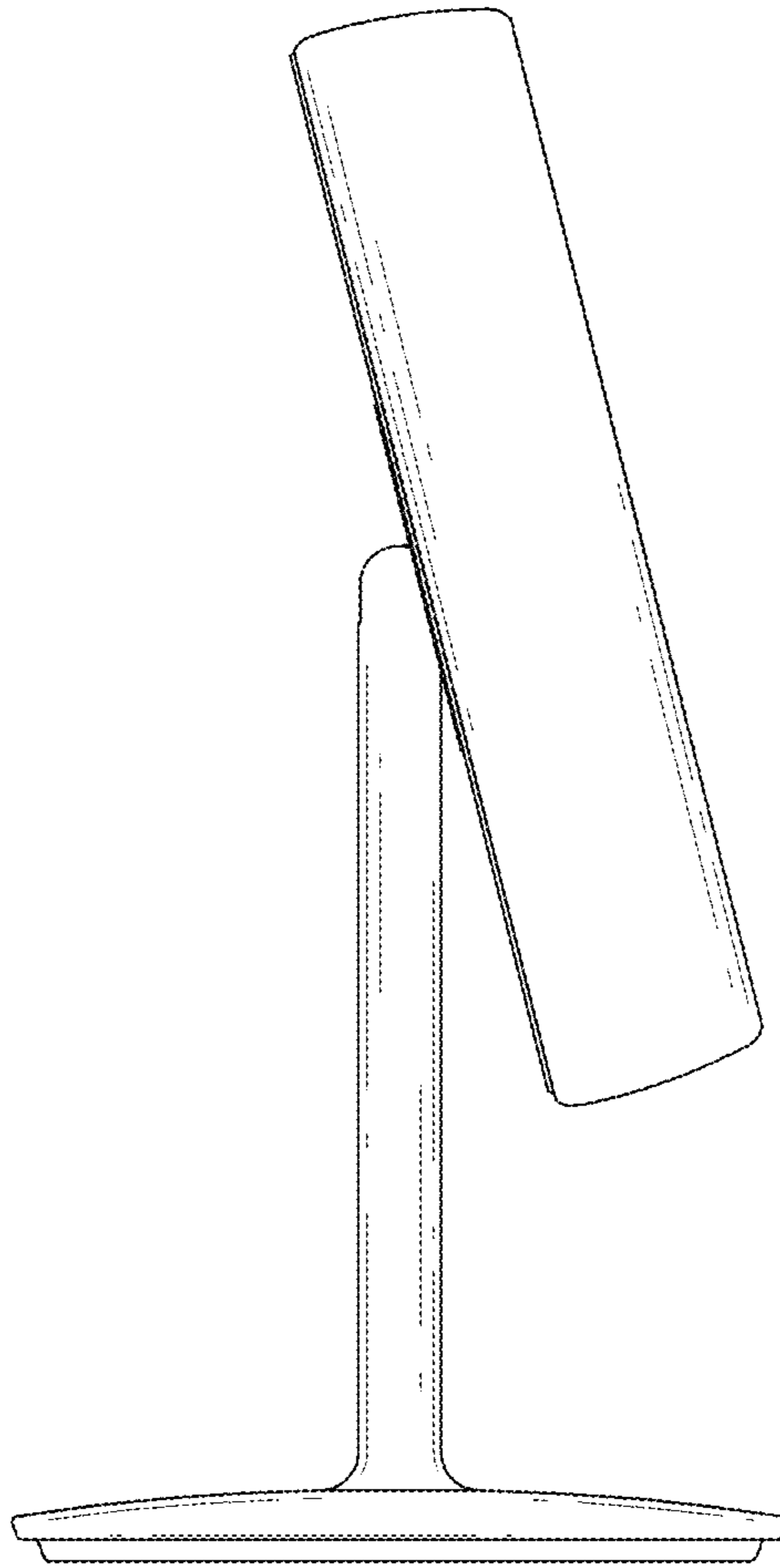
1.2



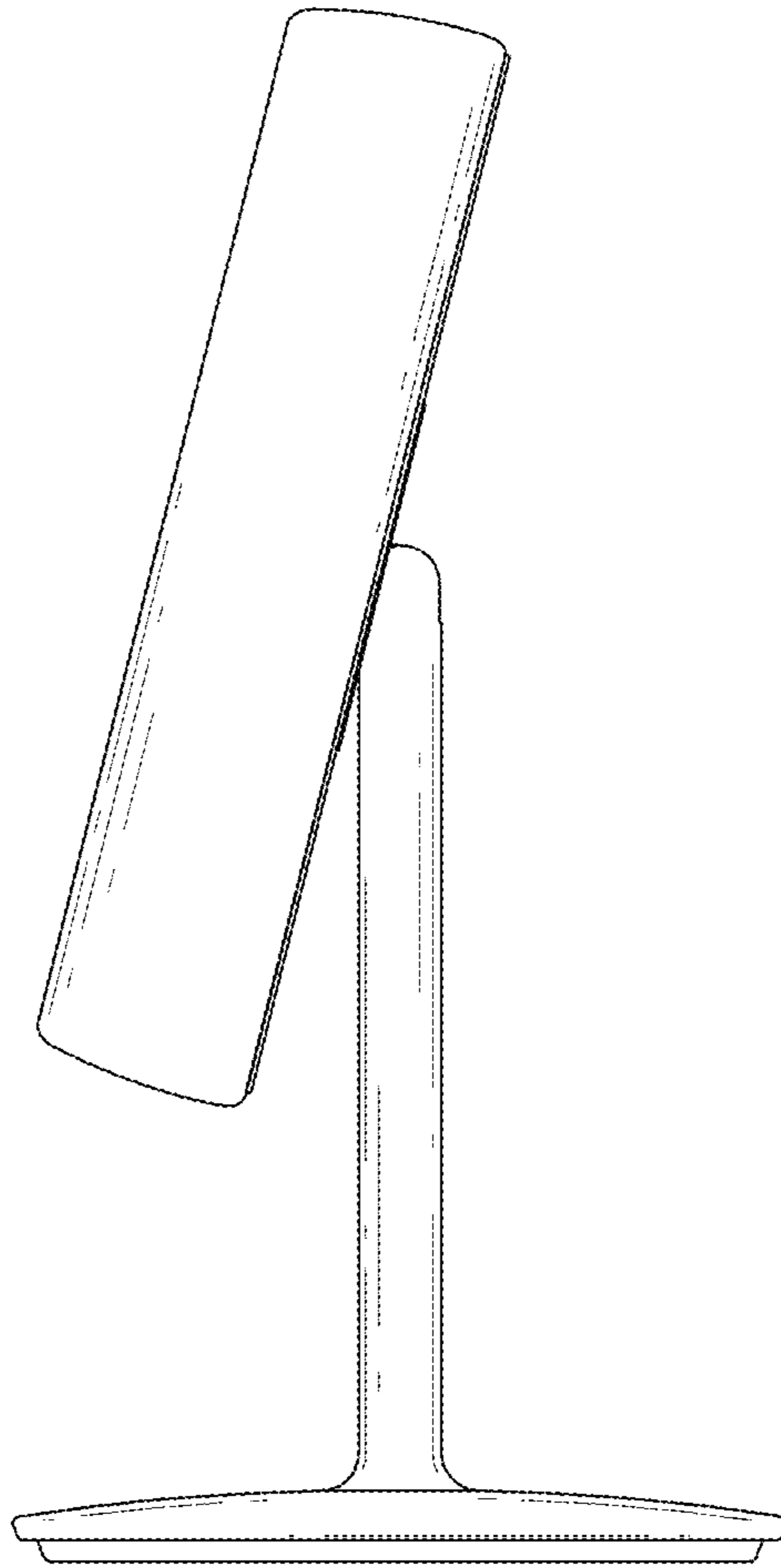
1.3



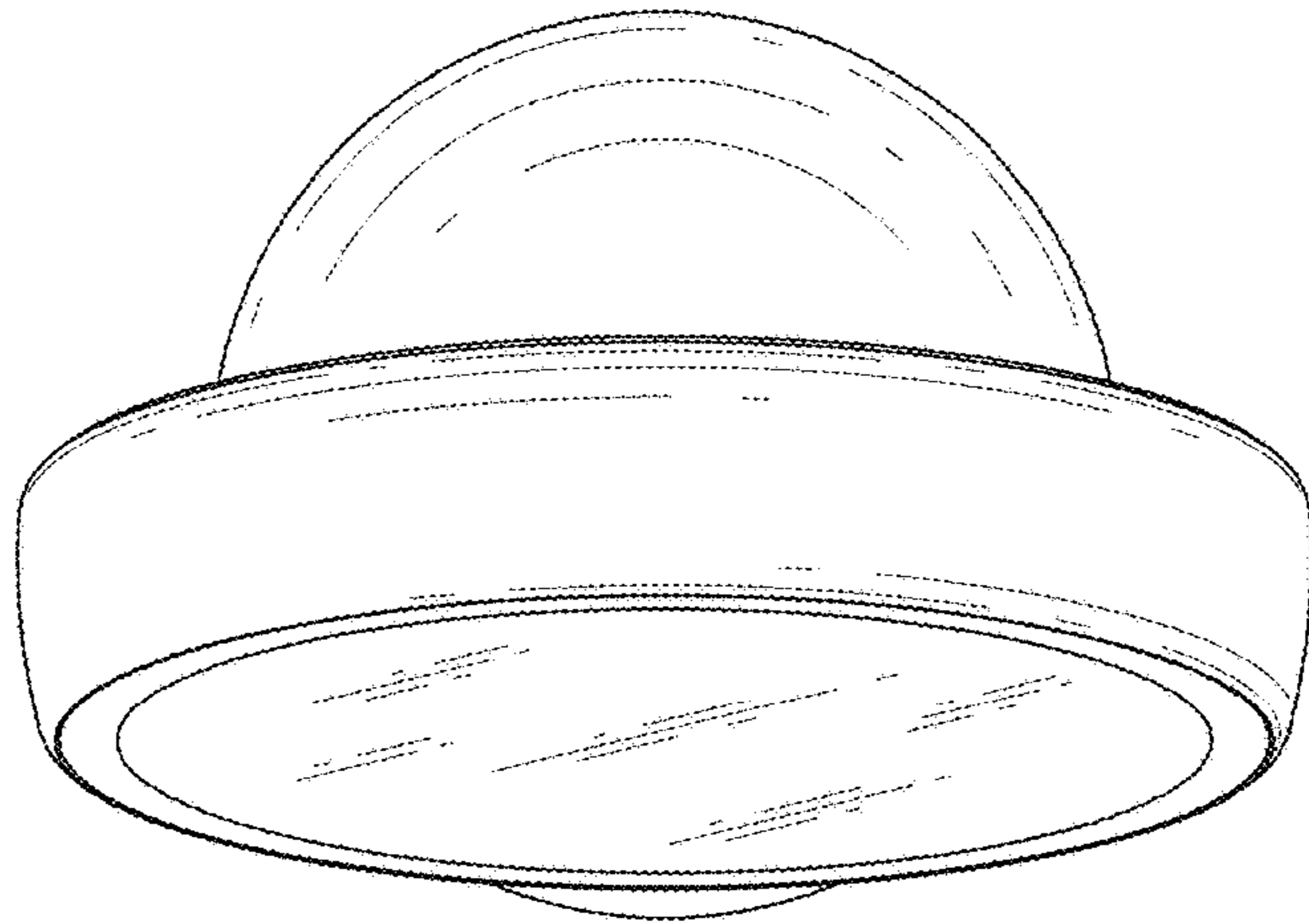
1.4



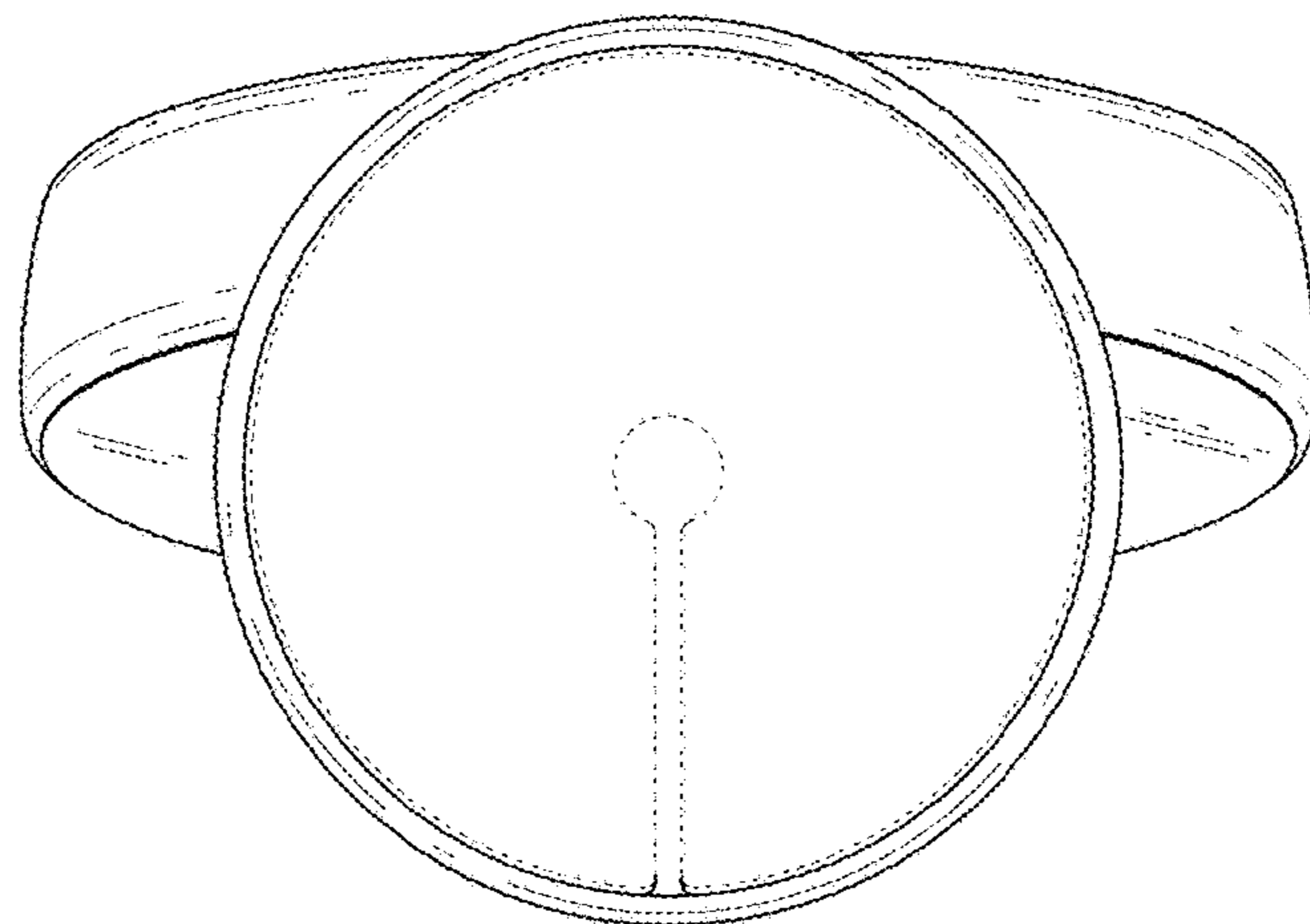
1.5



1.6



1.7



1.8

