



US00D835608S

(12) **United States Design Patent**  
**Kim et al.**

(10) **Patent No.:** **US D835,608 S**

(45) **Date of Patent:** **\*\* \*Dec. 11, 2018**

(54) **AUDIO VISUAL BOX FOR TV RECEIVER**

(71) Applicant: **LG ELECTRONICS INC.**, Seoul (KR)

(72) Inventors: **Yooseok Kim**, Seoul (KR); **Sunha Park**, Seoul (KR); **Younsoo Kim**, Seoul (KR); **Byungmu Huh**, Seoul (KR)

(73) Assignee: **LG ELECTRONICS INC.**, Seoul (KR)

(\*) Notice: This patent is subject to a terminal disclaimer.

(\*\*) Term: **15 Years**

(21) Appl. No.: **35/503,147**

(22) Filed: **Dec. 12, 2016**

(80) **Hague Agreement Data**

Int. Filing Date: **Dec. 12, 2016**

Int. Reg. No.: **DM/093942**

Int. Reg. Date: **Dec. 12, 2016**

Int. Reg. Pub. Date: **Jun. 16, 2017**

(30) **Foreign Application Priority Data**

Jun. 14, 2016 (KR) ..... 30-2016-0028730

(51) **LOC (11) Cl.** ..... **14-01**

(52) **U.S. Cl.**  
USPC ..... **D14/215**

(58) **Field of Classification Search**  
USPC ..... D14/125, 172, 194, 357-358, 496, 188, D14/204, 221, 242, 432  
CPC ..... H05K 5/02; H05K 5/03; G06F 1/16  
See application file for complete search history.

(56) **References Cited**

**U.S. PATENT DOCUMENTS**

D483,349 S \* 12/2003 Murakami ..... D14/215

D578,109 S \* 10/2008 Han ..... D14/215

D578,997 S *	10/2008	Takuma	.....	D14/172
D672,749 S *	12/2012	Onoue	.....	D14/214
D685,349 S *	7/2013	Ohno	.....	D14/221
D706,748 S *	6/2014	Hara	.....	D14/214
D714,763 S *	10/2014	Woo	.....	D14/209.1
D715,769 S *	10/2014	McManigal	.....	D14/214
D716,265 S *	10/2014	Park	.....	D14/215
D720,334 S *	12/2014	Wang	.....	D14/204
D720,723 S *	1/2015	Cho	.....	D14/215
D721,352 S *	1/2015	Kusano	.....	D14/204
D738,855 S *	9/2015	Park	.....	D14/213
D750,045 S *	2/2016	Wong	.....	D14/215
D759,624 S *	6/2016	Byrd	.....	D14/204
D759,629 S *	6/2016	Kusano	.....	D14/214
D760,685 S *	7/2016	Sugiura	.....	D14/204
D765,054 S *	8/2016	Bast	.....	D14/204
D788,062 S *	5/2017	Norrell	.....	D13/139.4

\* cited by examiner

*Primary Examiner* — Michael A. Pratt

(74) *Attorney, Agent, or Firm* — Birch, Stewart, Kolasch & Birch, LLP

(57) **CLAIM**

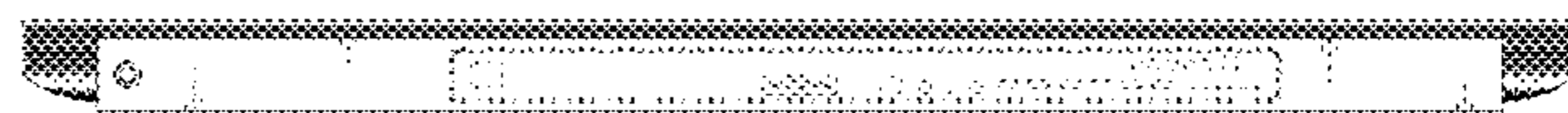
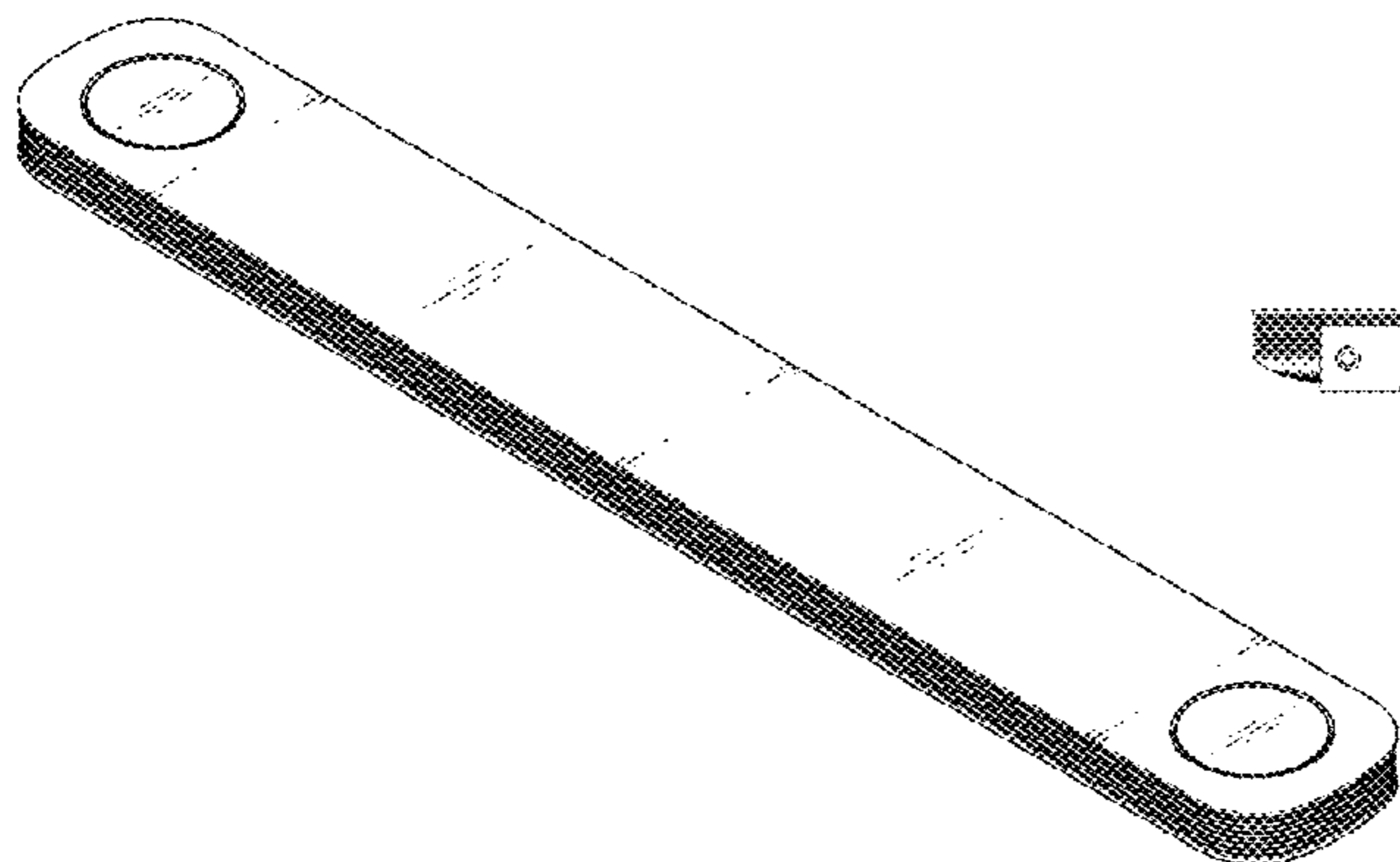
The ornamental design for an audio visual box for TV receiver, as shown and described.

**DESCRIPTION**

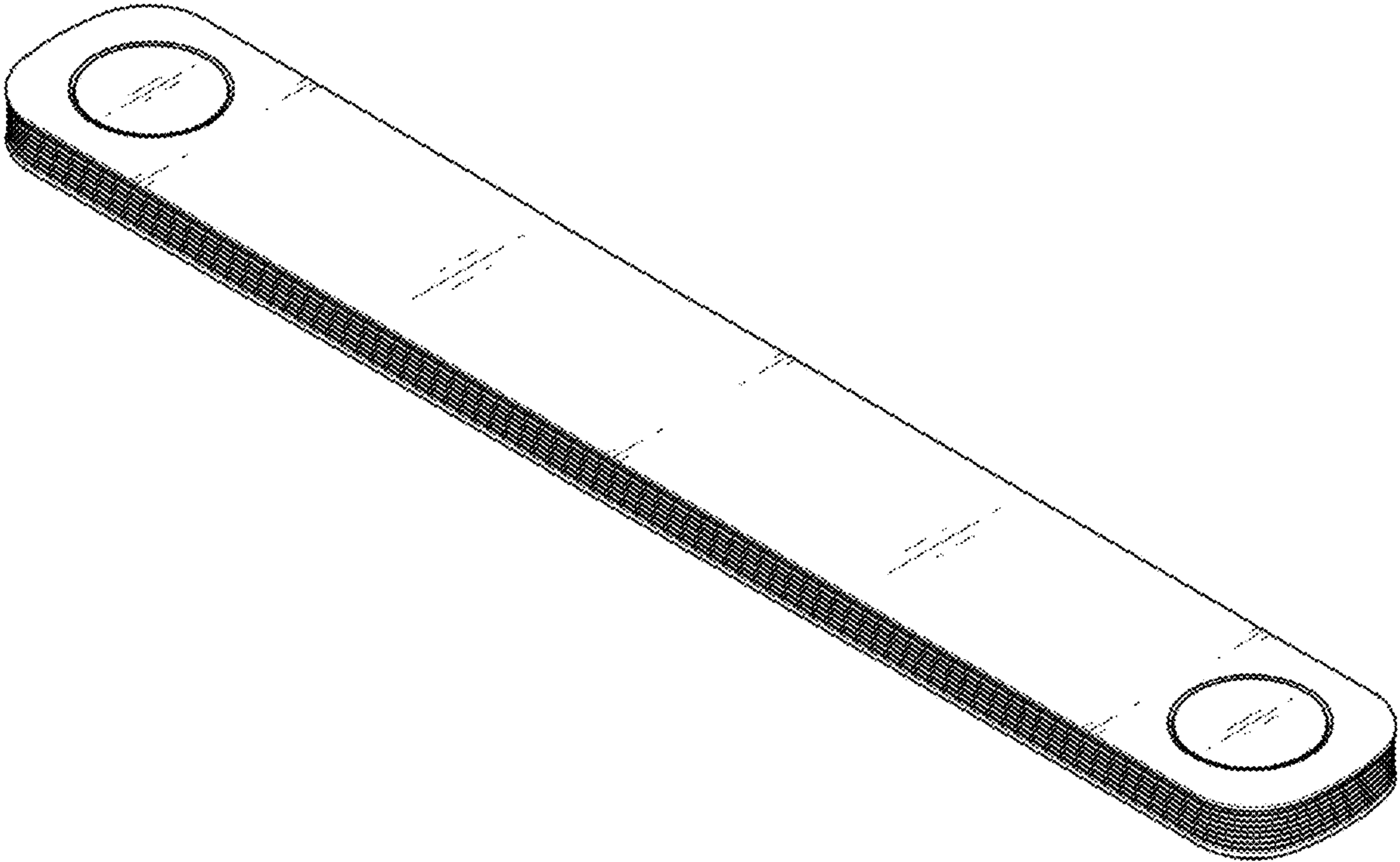
- 1. Audio visual box for TV receiver
- 1.1 : Perspective
- 1.2 : Front
- 1.3 : Back
- 1.4 : Left
- 1.5 : Right
- 1.6 : Top
- 1.7 : Bottom

The broken lines shown in Figures 1.3 and 1.6 are for the purpose of illustrating portions of the audio visual box for TV receiver that form no part of the claimed design.

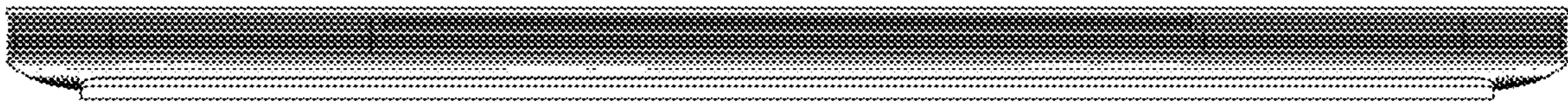
**1 Claim, 7 Drawing Sheets**



1.1



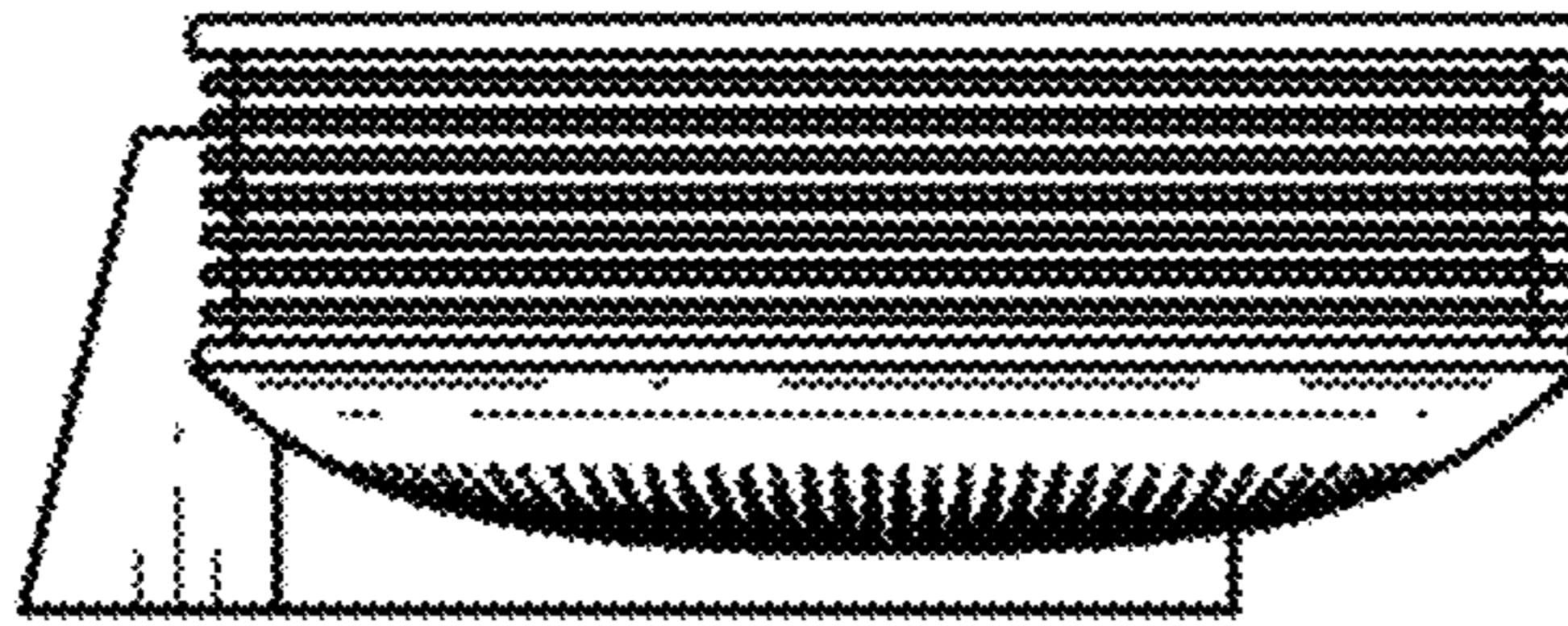
1.2



1.3



1.4



1.5



1.6



1.7

