



US00D835607S

(12) **United States Design Patent** (10) **Patent No.:** **US D835,607 S**
Won et al. (45) **Date of Patent:** **** Dec. 11, 2018**

(54) **AUDIO VISUAL BOX FOR TV RECEIVER**

(71) Applicant: **LG ELECTRONICS INC.**, Seoul (KR)
(72) Inventors: **Hyojin Won**, Seoul (KR); **Hyeyoung Hong**, Seoul (KR); **Yongho Lee**, Seoul (KR); **Youngkyoung Kim**, Seoul (KR)
(73) Assignee: **LG ELECTRONICS INC.**, Seoul (KR)
(**) Term: **15 Years**

(21) Appl. No.: **35/502,871**
(22) Filed: **Oct. 24, 2016**

(80) **Hague Agreement Data**

Int. Filing Date: **Oct. 24, 2016**
Int. Reg. No.: **DM/093220**
Int. Reg. Date: **Oct. 24, 2016**
Int. Reg. Pub. Date: **Apr. 28, 2017**

(30) **Foreign Application Priority Data**

Apr. 27, 2016 (KR) 30-2016-0020192
(51) **LOC (11) Cl.** **14-01**
(52) **U.S. Cl.**
USPC **D14/215; D14/216**
(58) **Field of Classification Search**
USPC D14/125–126, 129, 132–133, 375–376,
D14/451, 221, 224, 224.1, 239, 242, 204,
(Continued)

(56) **References Cited**

U.S. PATENT DOCUMENTS

D264,337 S * 5/1982 Kessler D14/242
D270,834 S * 10/1983 Genaro D14/242
(Continued)

OTHER PUBLICATIONS

Langridge, Max, Best of CES 2017—Speakers: B&O, LG, and more, posted at Pocket lint, posting date Jan. 9, 2017. [online][site visited Mar. 13, 2018] URL: <https://www.pocket-lint.com/speakers/buyers-guides/140420-best-of-ces-2017-speakers-b-o-lg-and-more> (Year: 2017).*

(Continued)

Primary Examiner — George D. Kirschbaum

Assistant Examiner — Kathleen L Jones

(74) *Attorney, Agent, or Firm* — Birch, Stewart, Kolasch & Birch, LLP

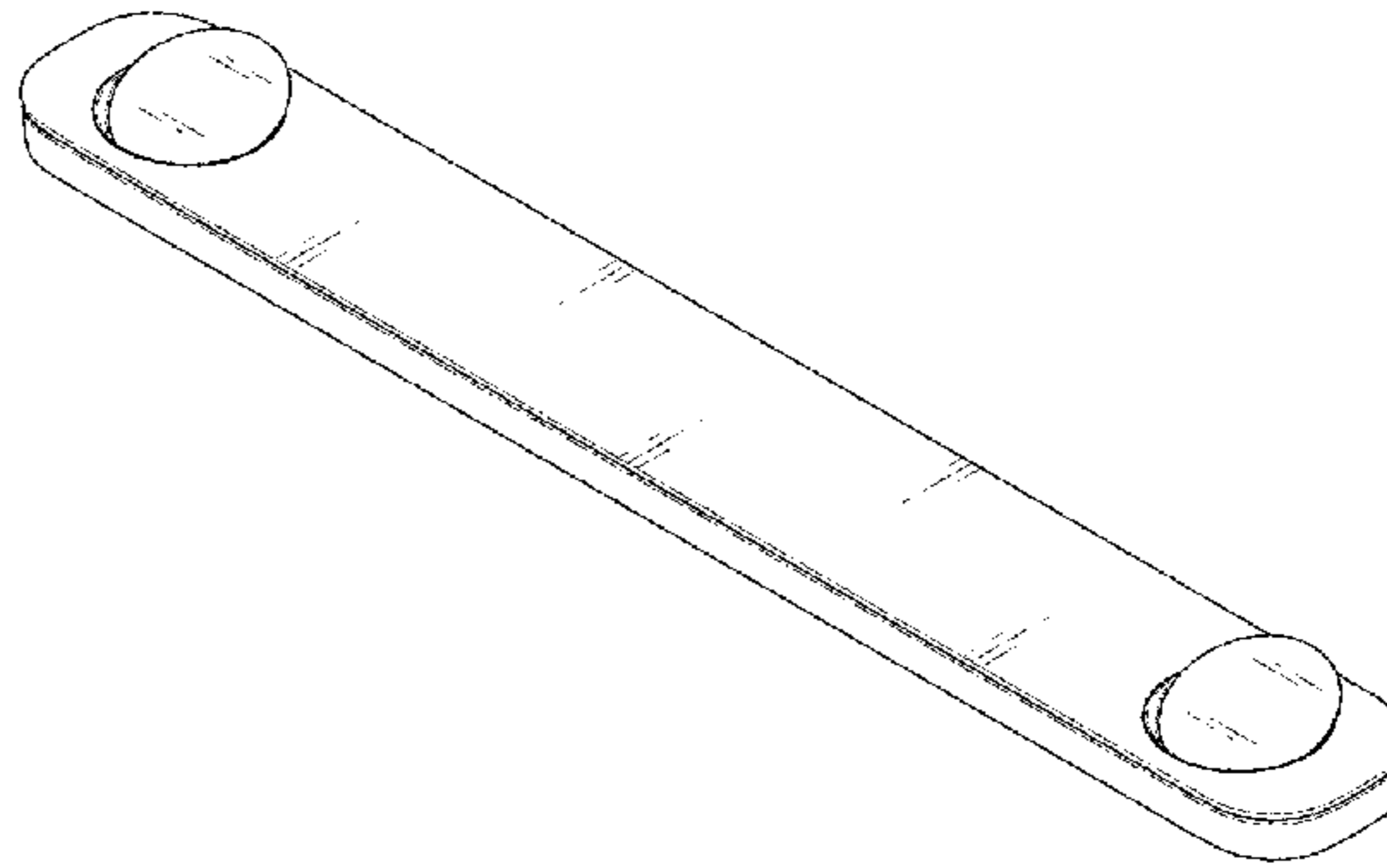
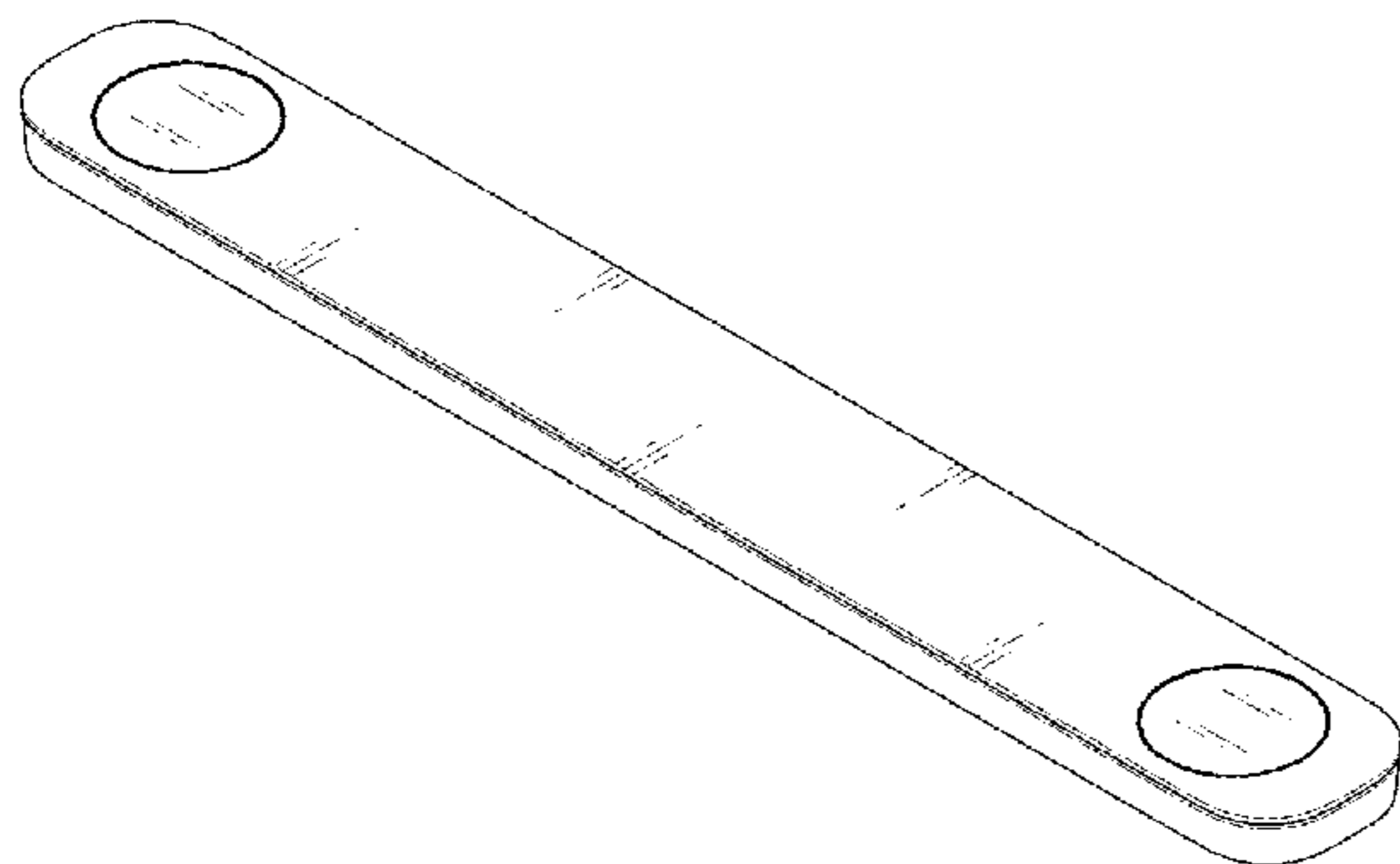
(57) **CLAIM**

The ornamental design for an audio visual box for TV receiver, as shown and described.

DESCRIPTION

1. Audio visual box for TV receiver
1.1 is a front perspective view of an audio visual box for TV receiver.
1.2 is a front view thereof.
1.3 is a back view thereof.
1.4 is a left side view thereof.
1.5 is a right side view thereof.
1.6 is a top view thereof.
1.7 is a bottom view thereof.
1.8 is a rear perspective view thereof.
1.9 is a front perspective view of an audio visual box for TV receiver in an alternate position.
1.10 is a front view thereof.
1.11 is a back view thereof.
1.12 is a left side view thereof.
1.13 is a right side view thereof.
1.14 is a top view thereof.
1.15 is a bottom view thereof.
The dash-dot broken lines shown in figures 1.9 and 1.14 depict the boundaries of the audio visual box for TV receiver that form no part of the claimed design.

1 Claim, 6 Drawing Sheets



(58) **Field of Classification Search**
 USPC D14/209.1, 210, 211, 214–216, 357–358,
 D14/496, 172, 194–195
 CPC . B60R 11/0217; B60R 11/0223; H04R 1/023;
 H04R 1/025; H04R 1/323; H04R 5/02;
 H04R 19/02; H04F 2400/00; H04F
 2400/07; H04F 2400/11; G06F 1/16
 See application file for complete search history.

D800,693	S	*	10/2017	Sugiura	D14/214
D812,028	S	*	3/2018	Kim	D14/126
D819,598	S	*	6/2018	Won	D14/215
D819,599	S	*	6/2018	Won	D14/215
D822,001	S	*	7/2018	Won	D14/214
D825,527	S	*	8/2018	Won	D14/215
D826,891	S	*	8/2018	Kim	D14/204
2014/0064541	A1	*	3/2014	Guenther	H04R 1/288 381/351
2015/0078580	A1	*	3/2015	Schwerdtfeger	H04R 1/323 381/86

(56) **References Cited**

U.S. PATENT DOCUMENTS

D279,184	S	*	6/1985	Sakamoto	D14/242
D281,878	S	*	12/1985	Kawakami	D14/242
D282,256	S	*	1/1986	Mizuno	D14/242
D285,073	S	*	8/1986	Danielson	D14/248
D285,198	S	*	8/1986	Danielson	D14/142
D442,943	S	*	5/2001	Chang	D14/215
D483,349	S	*	12/2003	Murakami	D14/215
D570,332	S	*	6/2008	Landerholm	D14/207
D578,109	S	*	10/2008	Han	D14/215
D589,915	S	*	4/2009	Xie	D14/125
D590,373	S	*	4/2009	Brickstad	D14/215
D629,388	S	*	12/2010	Son	D14/214
D653,239	S	*	1/2012	Kim	D14/215
D701,187	S	*	3/2014	Sung	D14/126
D710,823	S	*	8/2014	Woo	D14/214
D720,723	S	*	1/2015	Cho	D14/215
D784,287	S	*	4/2017	Murray	D14/168

OTHER PUBLICATIONS

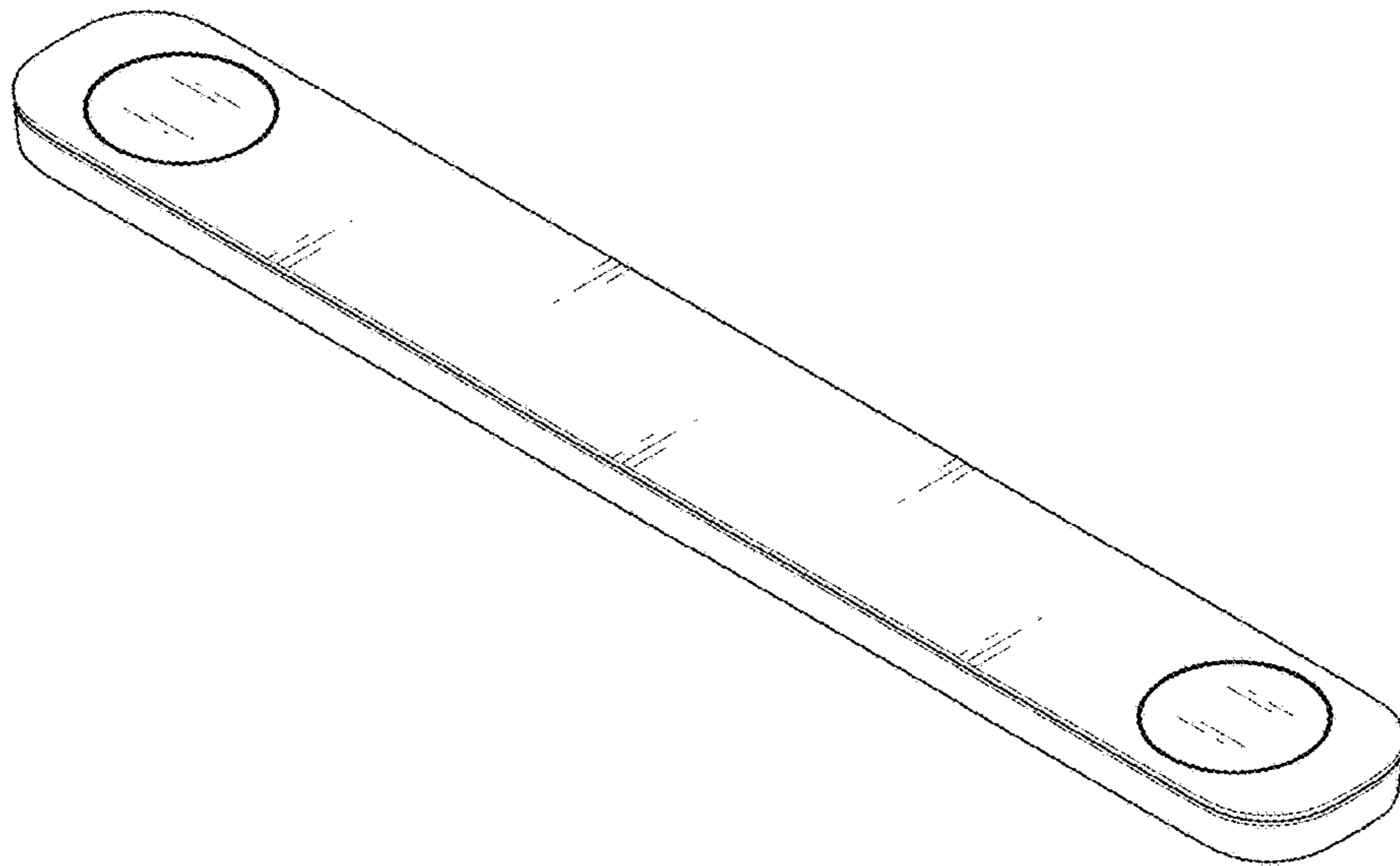
Larsen, Rasmus, LG brings Dolby Atmos to SJ9 soundbar, posted at FlatpanelsHD, posting date Jan. 10, 2017. [online][site visited Mar. 13, 2018] URL: <<https://www.flatpanelshd.com/news.php?subaction=showfull&id=1484046315>> (Year: 2017).*

James, Razer Leviathan 5.1 Speaker Review, posted at PC Gameware, posting date Mar. 12, 2015. [online][site visited Mar. 13, 2018] URL: <<http://www.pcgameware.co.uk/reviews/other/razer-leviathan-5-1-speaker-review/>> (Year: 2015).*

Trager, Christian, Sony HT-NT5: test of the TV speaker, posted at Computerbild, posting date Aug. 25, 2016. [online][site visited Mar. 13, 2018] URL: <<http://www.computerbild.de/artikel/avf-Tests-Audio-Sony-HT-NT5-Soundbar-TV-Lautsprecher-Test-16201547.html>> (Year: 2016).*

* cited by examiner

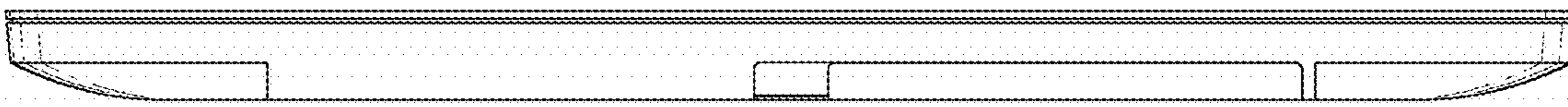
1.1



1.2



1.3



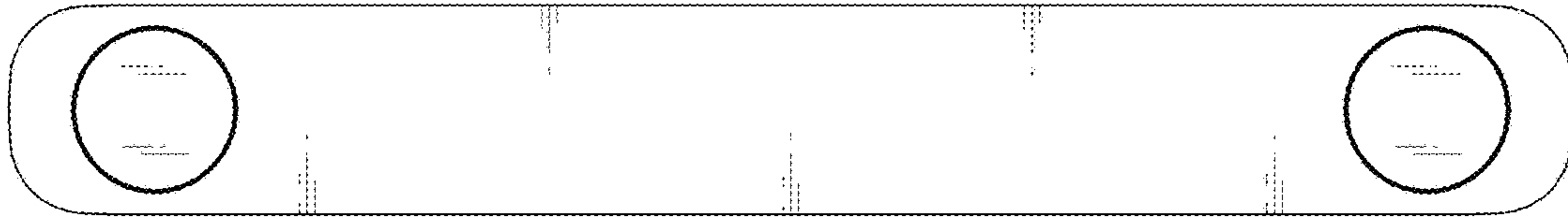
1.4



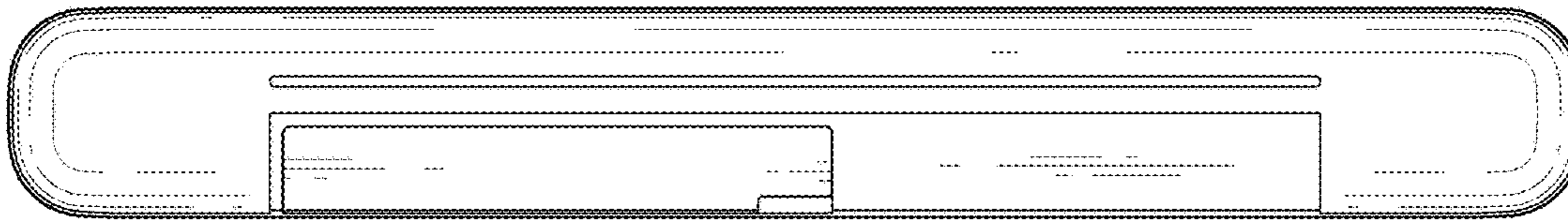
1.5



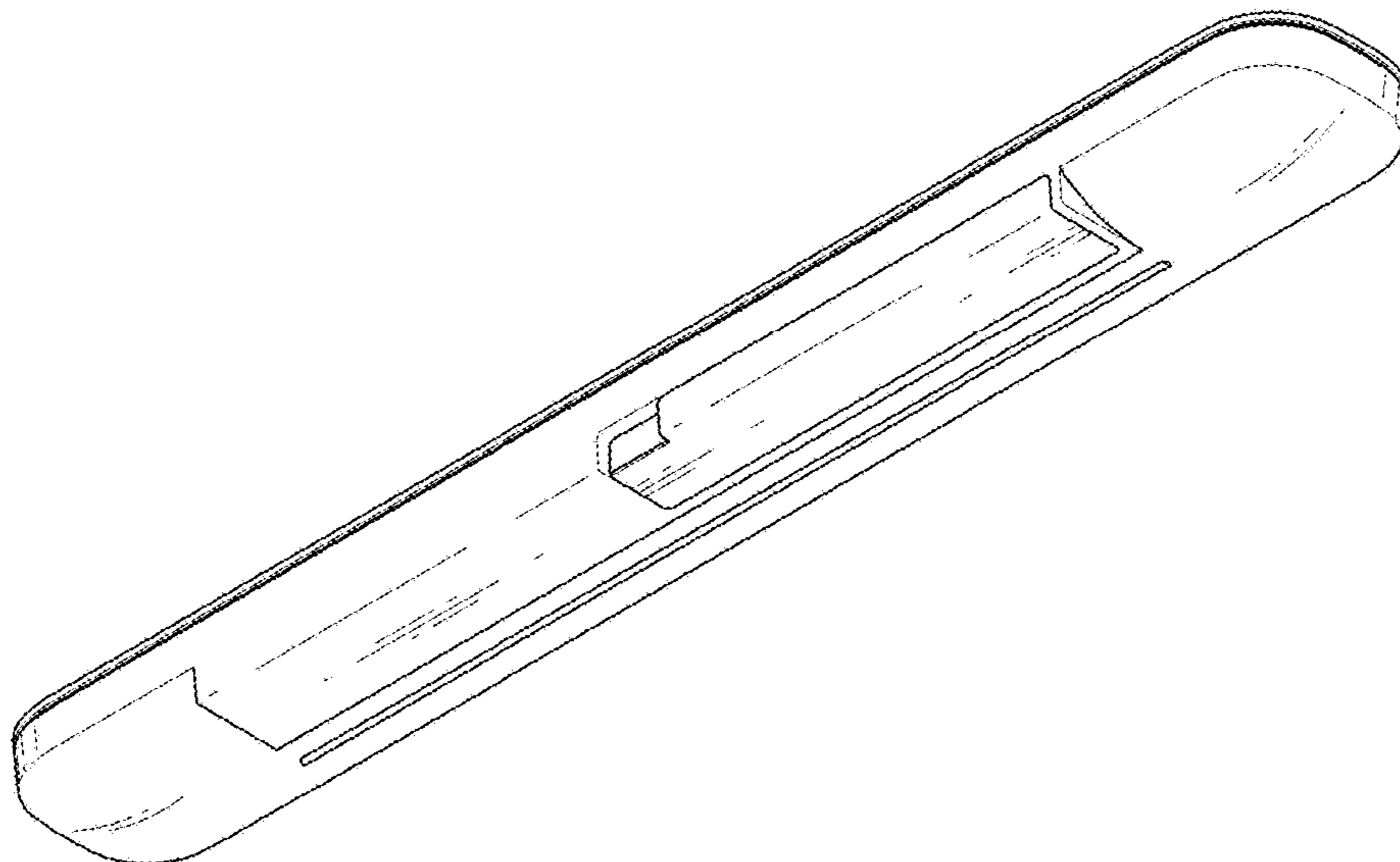
1.6



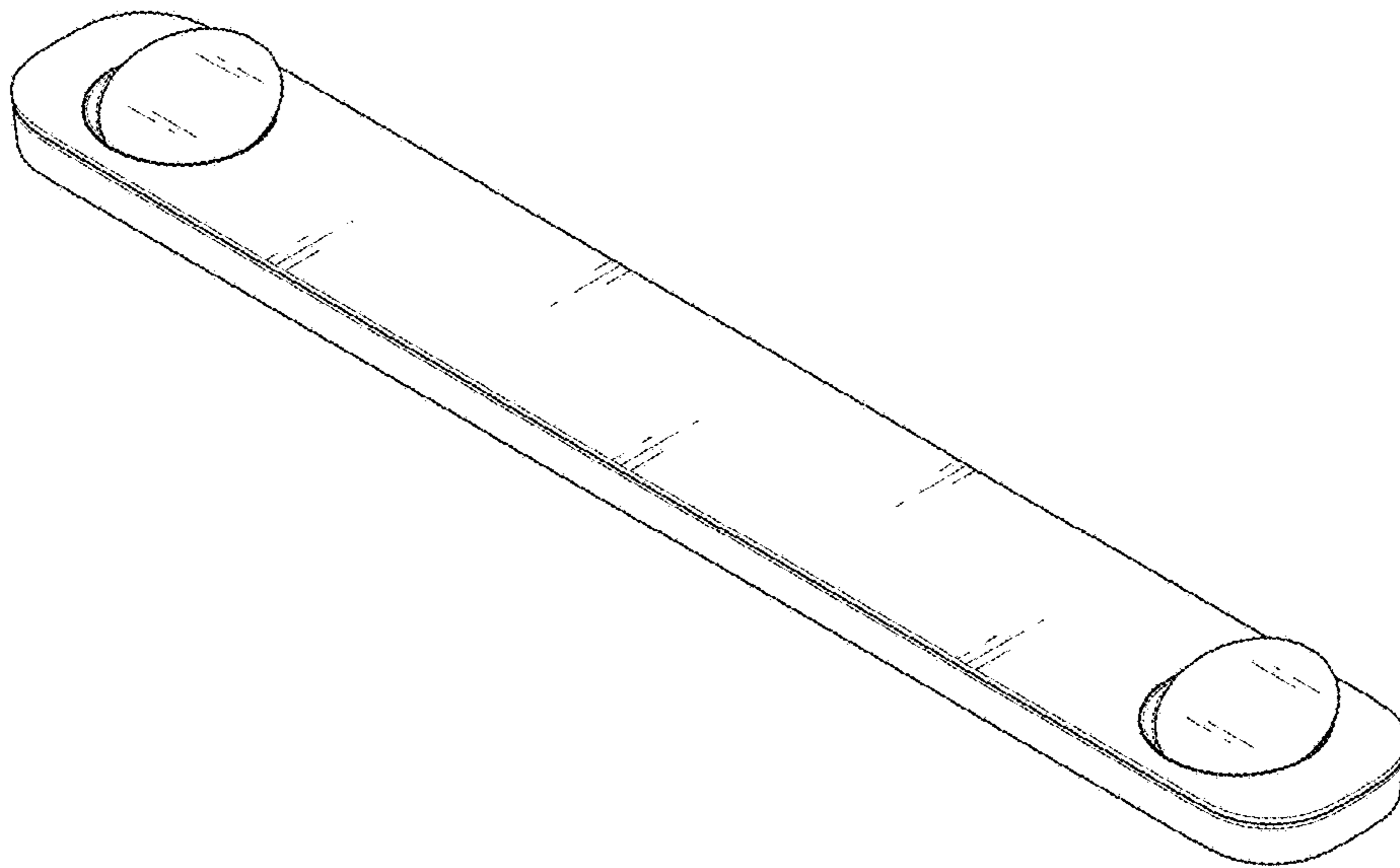
1.7



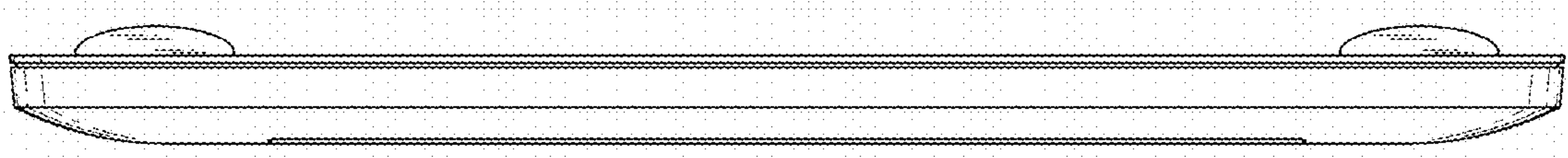
1.8



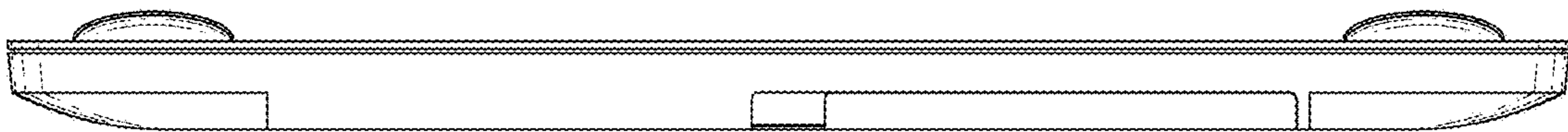
1.9



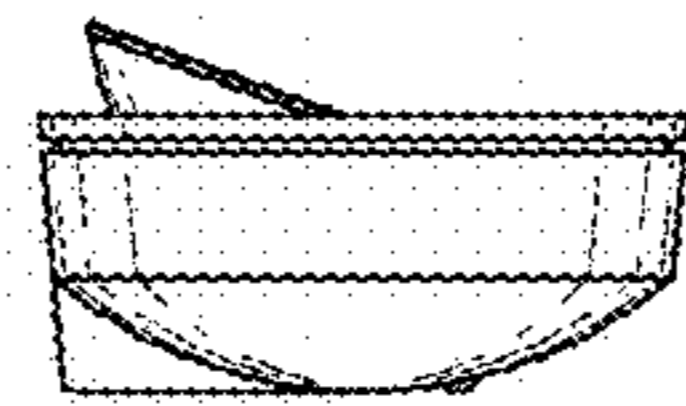
1.10



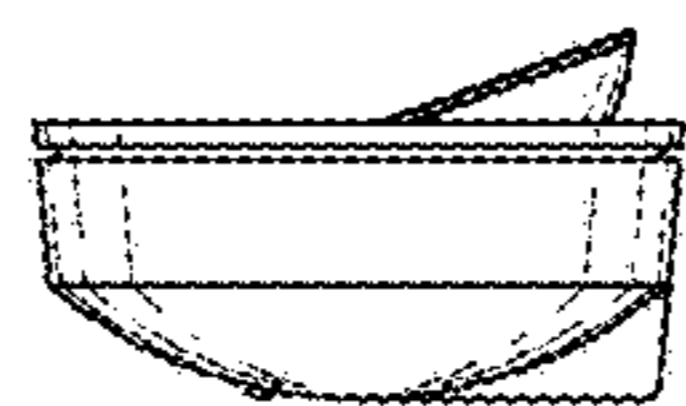
1.11



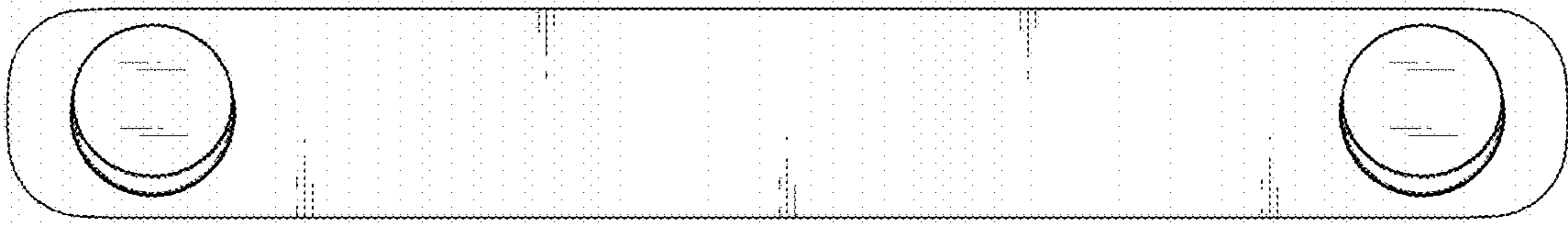
1.12



1.13



1.14



1.15

