



US00D835606S

(12) **United States Design Patent** (10) **Patent No.:** **US D835,606 S**
Won et al. (45) **Date of Patent:** **** Dec. 11, 2018**

(54) **AUDIO VISUAL BOX FOR TV RECEIVER**

(71) Applicant: **LG ELECTRONICS INC.**, Seoul (KR)
(72) Inventors: **Hyojin Won**, Seoul (KR); **Hyeyoung Hong**, Seoul (KR); **Yongho Lee**, Seoul (KR); **Youngkyoung Kim**, Seoul (KR)
(73) Assignee: **LG ELECTRONICS INC.**, Seoul (KR)
(**) Term: **15 Years**

(21) Appl. No.: **35/502,870**

(22) Filed: **Oct. 24, 2016**

(80) **Hague Agreement Data**

Int. Filing Date: **Oct. 24, 2016**
Int. Reg. No.: **DM/093225**
Int. Reg. Date: **Oct. 24, 2016**
Int. Reg. Pub. Date: **Apr. 28, 2017**

(30) **Foreign Application Priority Data**

Apr. 27, 2016 (KR) 30-2016-0020179

(51) **LOC (11) Cl.** **14-01**

(52) **U.S. Cl.**
USPC **D14/215**

(58) **Field of Classification Search**
USPC D14/125-126, 129, 132-133, 375-376,
D14/451, 221, 224, 224.1, 239, 242, 204,
(Continued)

(56) **References Cited**

U.S. PATENT DOCUMENTS

D170,347 S * 9/1953 Adler D14/239
D264,337 S * 5/1982 Kessler D14/242
(Continued)

OTHER PUBLICATIONS

Larsen, Rasmus, LG brings Dolby Atmos to SJ9 soundbar, posted at FlatpanelsHD, posting date Jan. 10, 2017. [online][site visited Mar. 13, 2018] URL: <https://www.flatpanelshd.com/news.php?subaction=showfull&id=1484046315> (Year: 2017).*

(Continued)

Primary Examiner — George D. Kirschbaum

Assistant Examiner — Kathleen L Jones

(74) *Attorney, Agent, or Firm* — Birch, Stewart, Kolasch & Birch, LLP

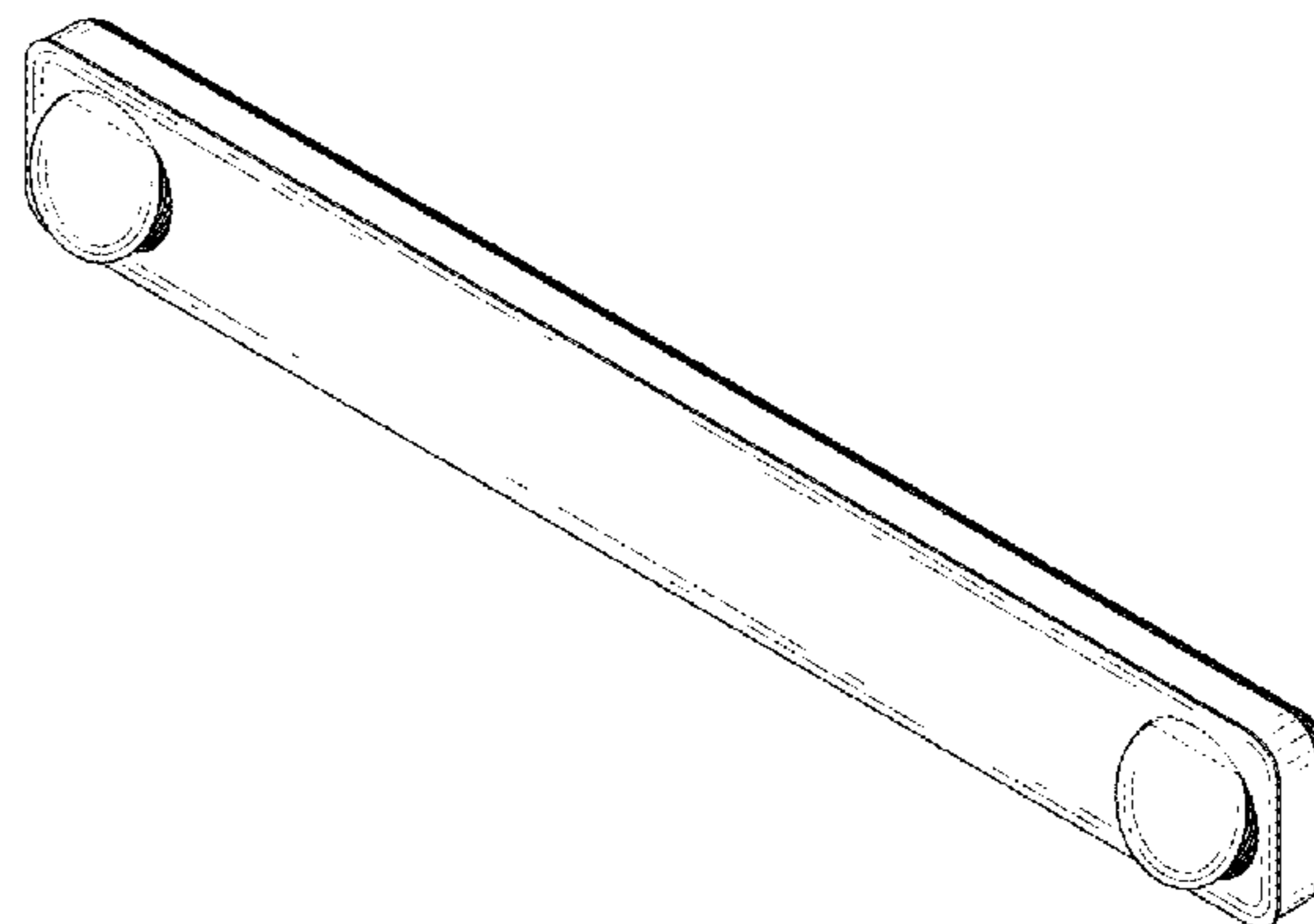
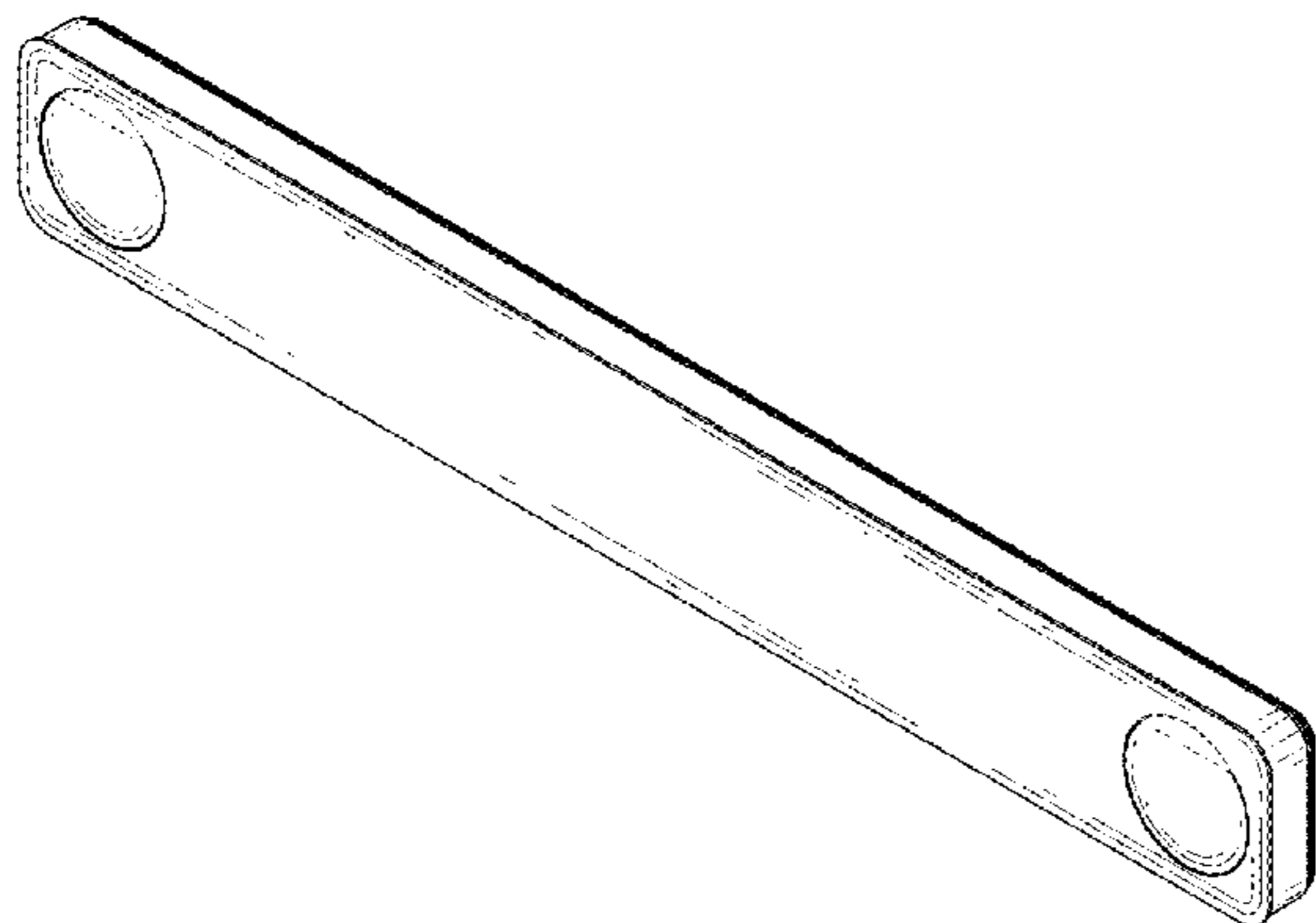
(57) **CLAIM**

The ornamental design for an audio visual box for TV receiver, as shown and described.

DESCRIPTION

1. Audio visual box for TV receiver
1.1 is a front perspective view of an audio visual box for TV receiver.
1.2 is a front view thereof.
1.3 is a back view thereof.
1.4 is a left side view thereof.
1.5 is a right side view thereof.
1.6 is a top view thereof.
1.7 is a bottom view thereof.
1.8 is a front perspective view of an audio visual box for TV receiver in an alternate position.
1.9 is a front view thereof.
1.10 is a back view thereof.
1.11 is a left side view thereof.
1.12 is a right side view thereof.
1.13 is a top view thereof.
1.14 is a bottom view thereof.
The broken lines shown in figures 1.1, 1.2, 1.8 and 1.9 depict portions of the audio visual box for TV receiver that form no part of the claimed design.

1 Claim, 5 Drawing Sheets



(58) **Field of Classification Search**
 USPC D14/209.1, 210, 211, 214–216, 357–358,
 D14/496, 172, 194–195
 CPC . B60R 11/0217; B60R 11/0223; H04R 1/023;
 H04R 1/025; H04R 1/323; H04R 5/02;
 H04R 19/02; H04F 2400/00; H04F
 2400/07; H04F 2400/11; G06F 1/16
 See application file for complete search history.

(56) **References Cited**

U.S. PATENT DOCUMENTS

D270,834 S	*	10/1983	Genaro	D14/242
D279,184 S	*	6/1985	Sakamoto	D14/242
D281,878 S	*	12/1985	Kawakami	D14/242
D282,256 S	*	1/1986	Mizuno	D14/242
D285,073 S	*	8/1986	Danielson	D14/248
D285,198 S	*	8/1986	Danielson	D14/142
D341,594 S	*	11/1993	Kawai	D14/242
D442,943 S	*	5/2001	Chang	D14/215
D483,349 S	*	12/2003	Murakami	D14/215
D570,332 S	*	6/2008	Landerholm	D14/207
D578,109 S	*	10/2008	Han	D14/215
D589,915 S	*	4/2009	Xie	D14/125
D590,373 S	*	4/2009	Brickstad	D14/215
D629,388 S	*	12/2010	Son	D14/214
D653,239 S	*	1/2012	Kim	D14/215
D701,187 S	*	3/2014	Sung	D14/126
D703,191 S	*	4/2014	Woo	D14/204
D710,823 S	*	8/2014	Woo	D14/214
D710,826 S	*	8/2014	Holzer	D14/216
D720,723 S	*	1/2015	Cho	D14/215

D784,287 S	*	4/2017	Murray	D14/168
D812,028 S	*	3/2018	Kim	D14/126
D822,001 S	*	7/2018	Won	D14/214
D823,821 S	*	7/2018	Kim	D14/125
D824,352 S	*	7/2018	Kim	D14/126
D825,527 S	*	8/2018	Won	D14/215
D826,877 S	*	8/2018	Kim	D14/125
D826,891 S	*	8/2018	Kim	D14/204
10,070,216 B2	*	9/2018	Li	H04R 1/283
2014/0064541 A1	*	3/2014	Guenther	H04R 1/288
					381/351
2015/0078580 A1	*	3/2015	Schwerdtfeger	H04R 1/323
					381/86

OTHER PUBLICATIONS

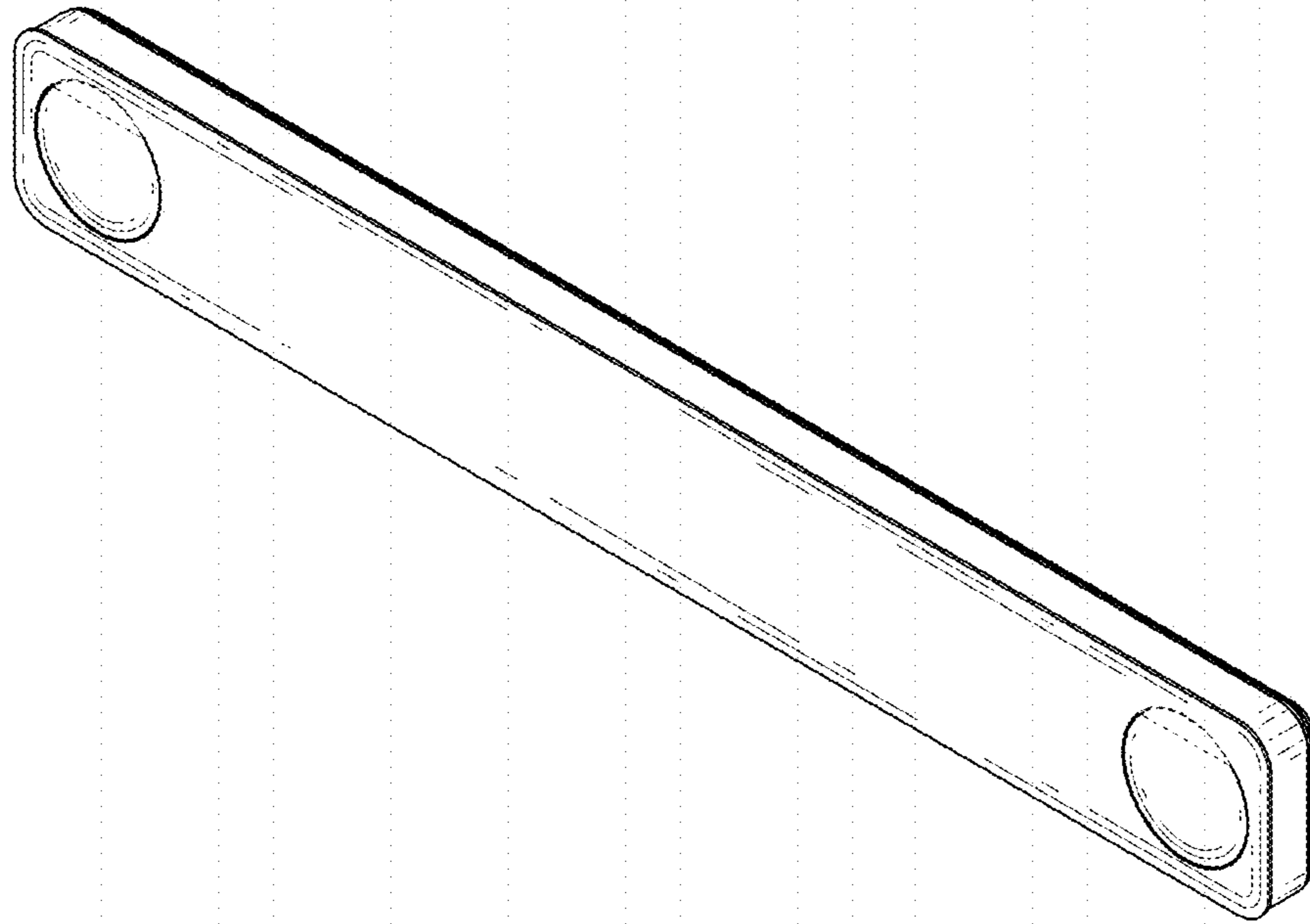
Langridge, Max, Best of CES 2017—Speakers: B&O, LG, and more, posted at Pocket lint, posting date Jan. 9, 2017. [online][site visited Mar. 13, 2018] URL: <<https://www.pocket-lint.com/speakers/buyers-guides/140420-best-of-ces-2017-speakers-b-o-lg-and-more>> (Year: 2017).*

Trager, Christian, Sony HT-NT5: test of the TV speaker, posted at Computerbild, posting date Aug. 25, 2016. [online][site visited Mar. 13, 2018] URL: <<http://www.computerbild.de/artikel/avf-Tests-Audio-Sony-HT-NT5-Soundbar-TV-Lautsprecher-Test-16201547.html>> (Year: 2016).*

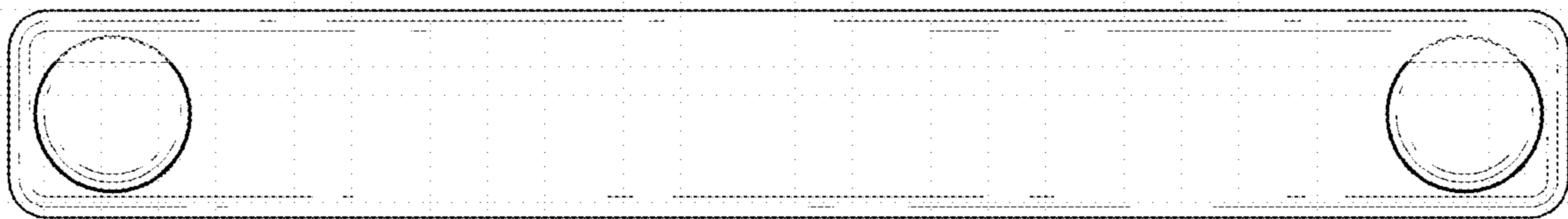
James, Razer Leviathan 5.1 Speaker Review, posted at PC Gameware, posting date Mar. 12, 2015. [online][site visited Mar. 13, 2018] URL: <<http://www.pcgameware.co.uk/reviews/other/razer-leviathan-5-1-speaker-review/>> (Year: 2015).*

* cited by examiner

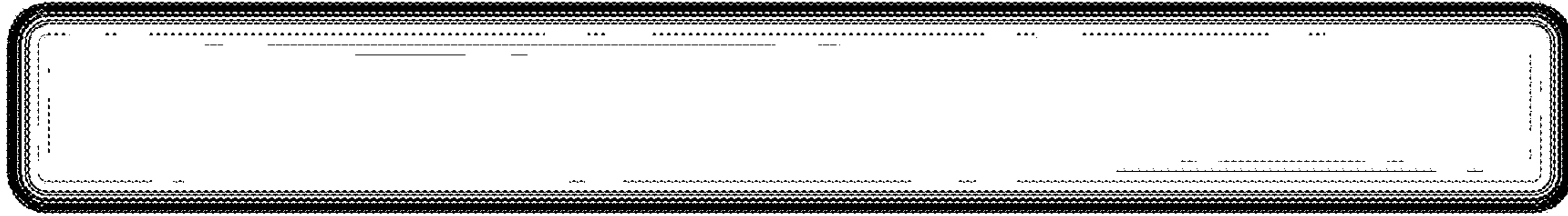
1.1



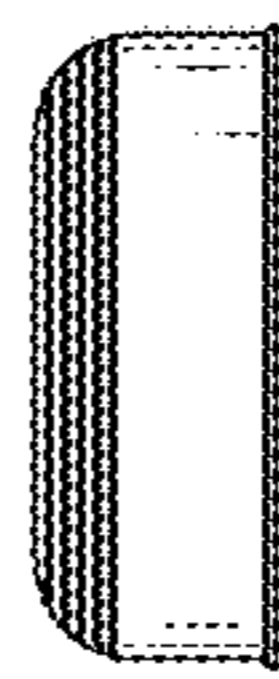
1.2



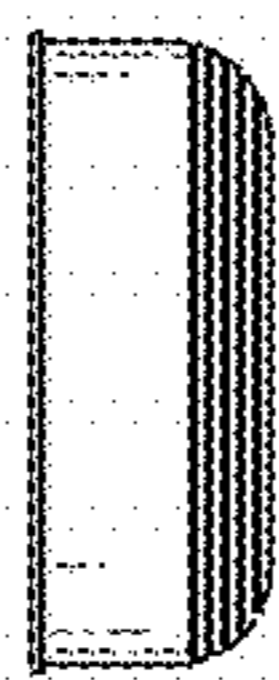
1.3



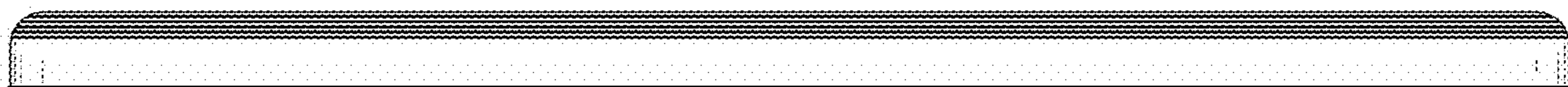
1.4



1.5



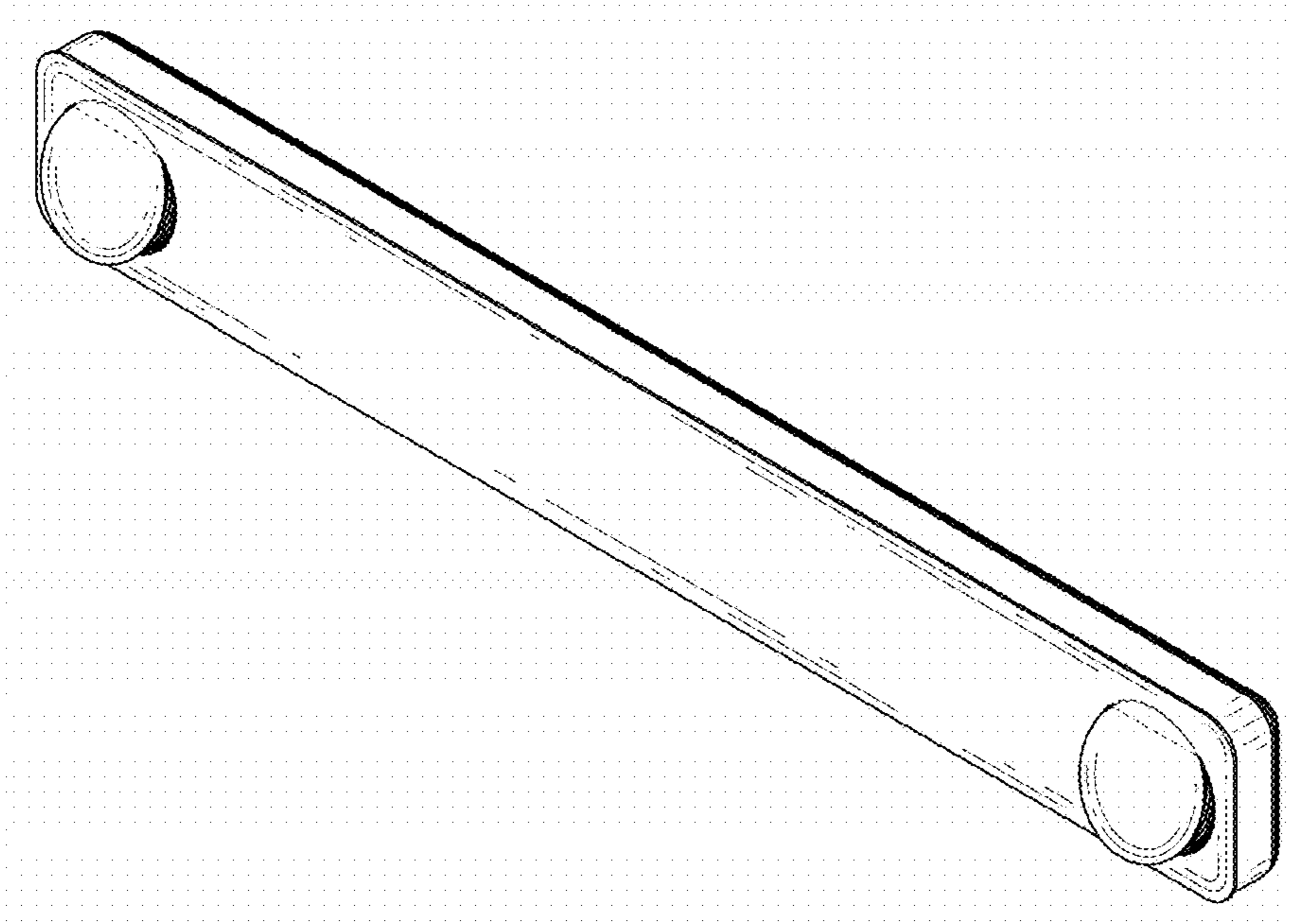
1.6



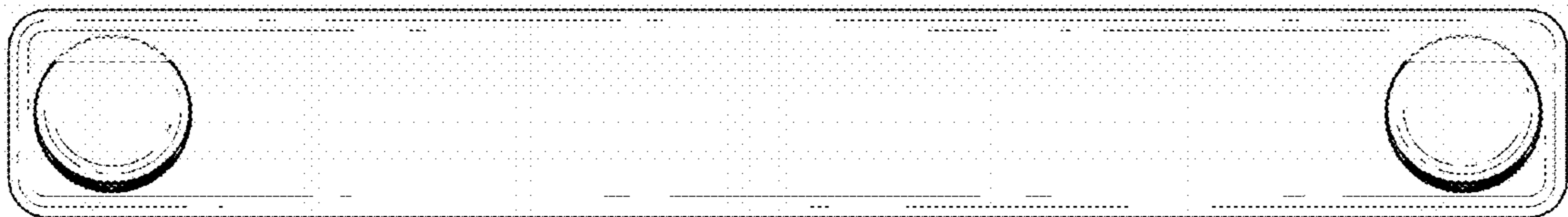
1.7



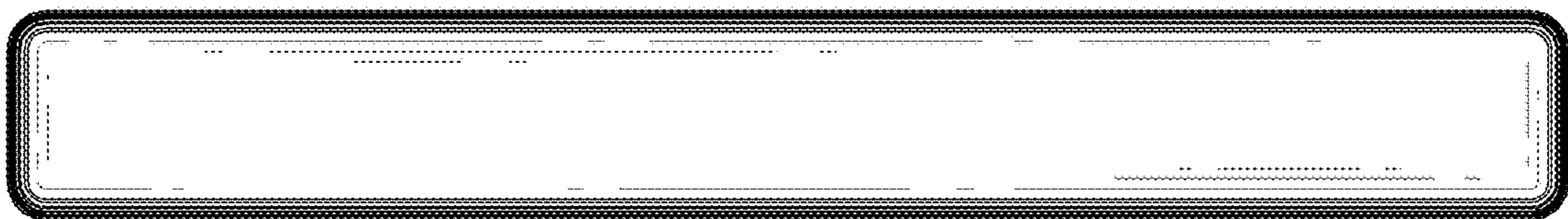
1.8



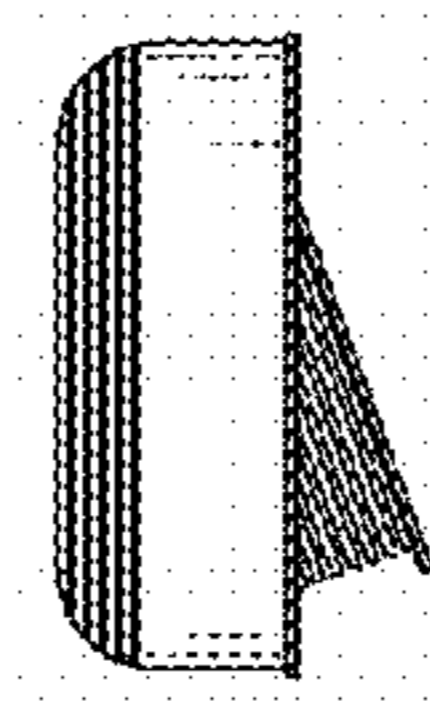
1.9



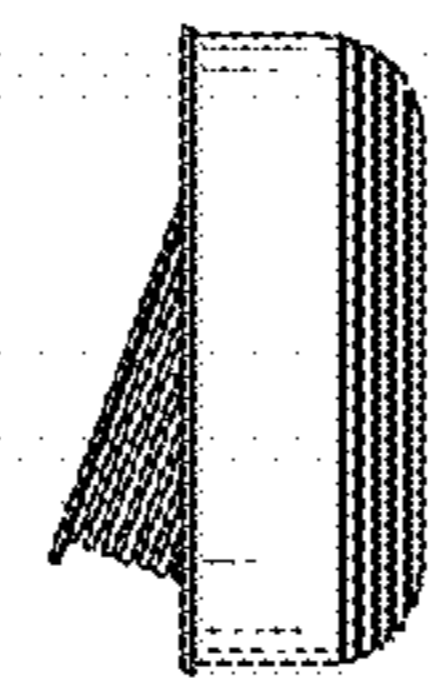
1.10



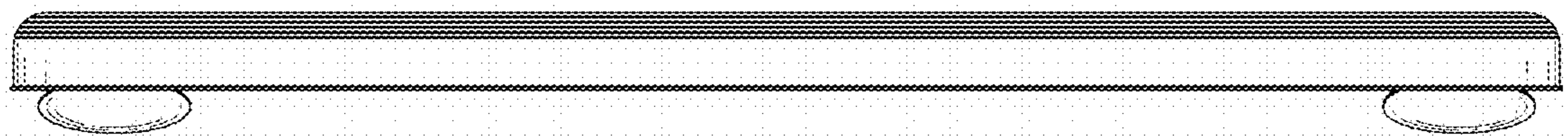
1.11



1.12



1.13



1.14

