



US00D835603S

(12) **United States Design Patent**
Chen et al.

(10) **Patent No.:** **US D835,603 S**

(45) **Date of Patent:** **** Dec. 11, 2018**

(54) **AUDIO SPEAKER**

(71) Applicant: **I-Chang Chen**, New Taipei (TW)

(72) Inventors: **I-Chang Chen**, New Taipei (TW);
Hsuan-Hao Hsu, Taipei (TW);
Tsuan-Hung Chen, Taipei (TW);
Ping-Lun Chung, Taipei (TW);
Fang-Yu Chen, Taipei (TW)

(73) Assignee: **I-Chang Chen**, New Taipei (TW)

(**) Term: **15 Years**

(21) Appl. No.: **29/603,705**

(22) Filed: **May 11, 2017**

(51) **LOC (11) Cl.** **14-03**

(52) **U.S. Cl.**

USPC **D14/214**

(58) **Field of Classification Search**

USPC D14/157, 168, 172, 188, 194, 195, 196,
D14/197, 198, 204, 210, 211, 212, 213,
D14/214, 215, 216, 217, 221, 222, 223,
D14/224, 257, 258

CPC B60R 11/0217; G06F 1/1688; G10K 9/22;
G10K 11/004; H03F 1/327; H04M 1/03;
H04M 1/035; H04N 5/642; H04N
21/4852; H04S 3/00; H04S 7/30; H04R
1/02; H04R 1/06; H04R 1/021; H04R
1/025; H04R 1/026; H04R 1/028; H04R
1/105; H04R 1/323; H04R 1/403; H04R
1/2803; H04R 1/2834; H04R 5/02; H04R
7/20; H04R 9/06; H04R 9/025; H04R
2201/021; H04R 2400/00; H04R 2400/07;
H04R 2499/11; H04R 2499/13; H04R
2499/15

See application file for complete search history.

(56) **References Cited**

U.S. PATENT DOCUMENTS

D721,350 S * 1/2015 Kim D14/188

D739,845 S * 9/2015 Hwang D14/214

D743,937 S * 11/2015 Farr D14/214
D756,966 S * 5/2016 Feng D14/214
D822,634 S * 7/2018 Zaihui D14/204
D824,365 S * 7/2018 Vogt, Jr. D14/214
D824,879 S * 8/2018 Vogt, Jr. D14/214
D828,821 S * 9/2018 Farr D14/204
D831,612 S * 10/2018 Usuru D14/214

* cited by examiner

Primary Examiner — Michael A. Pratt

(74) *Attorney, Agent, or Firm* — Christensen, Fonder,
Dardi & Herbert PLLC

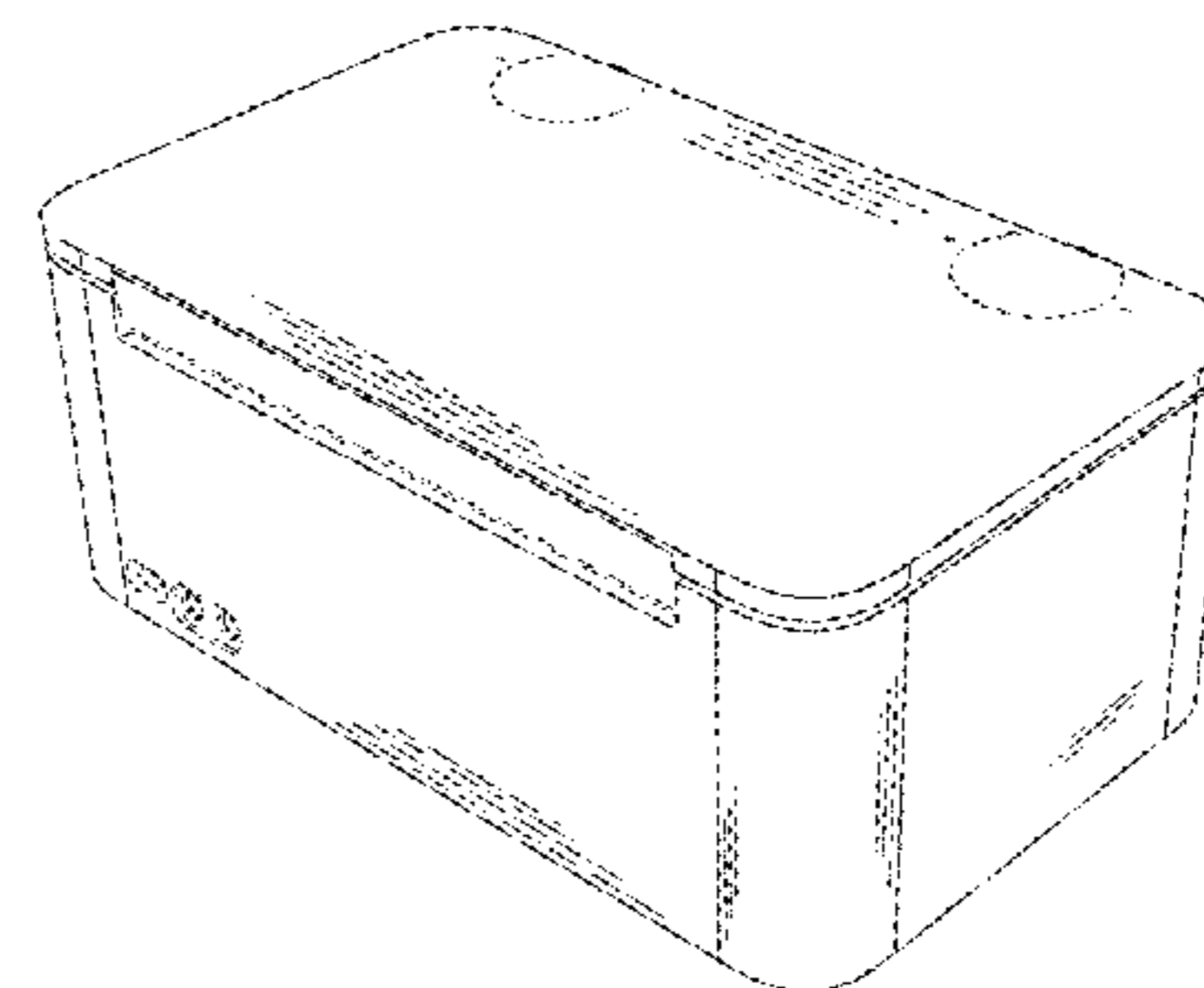
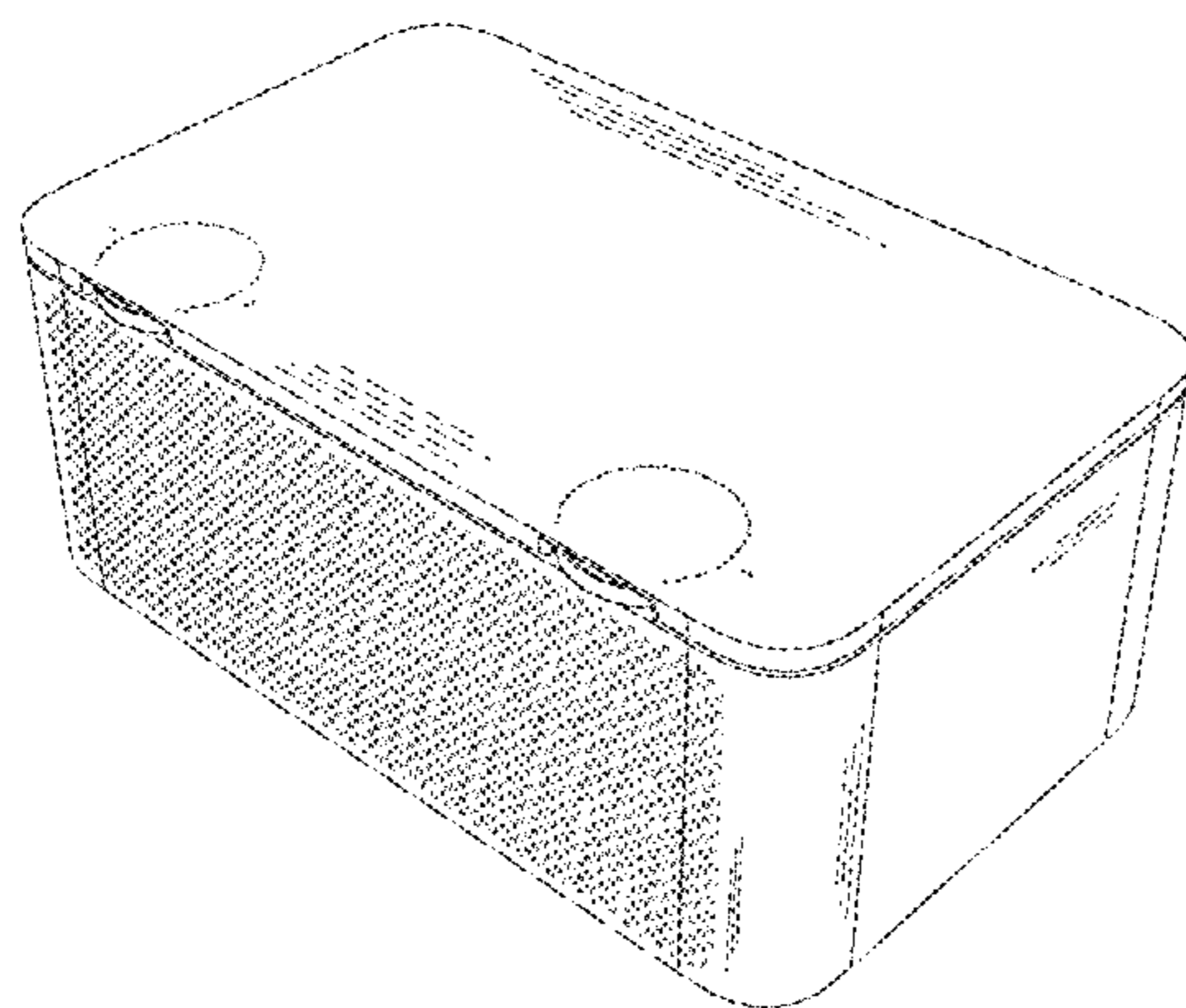
(57) **CLAIM**

We claim an ornamental design for an audio speaker, as shown and described.

DESCRIPTION

FIG. 1 is a perspective view showing the claimed design;
FIG. 2 is a second perspective view of FIG. 1;
FIG. 3 is a third perspective view of FIG. 1;
FIG. 4 is a front elevational view of FIG. 1;
FIG. 5 is a rear elevational view of FIG. 1;
FIG. 6 is a left side elevational view of FIG. 1; the right side
elevational view being a mirror image of FIG. 6;
FIG. 7 is a top plan view of FIG. 1;
FIG. 8 is a bottom plan view of FIG. 1;
FIG. 9 is a perspective view showing the claimed design in
an opening usage state;
FIG. 10 is a reference view of the claimed design in the
opening usage state which is used to accommodate a pair of
microphones; and,
FIG. 11 is another reference view of the claimed design in
the opening usage state which is used to accommodate a pair
of microphones together with a mobile phone.
The broken lines in the figures represent portions of the
article which form no part of the claimed design.

1 Claim, 11 Drawing Sheets



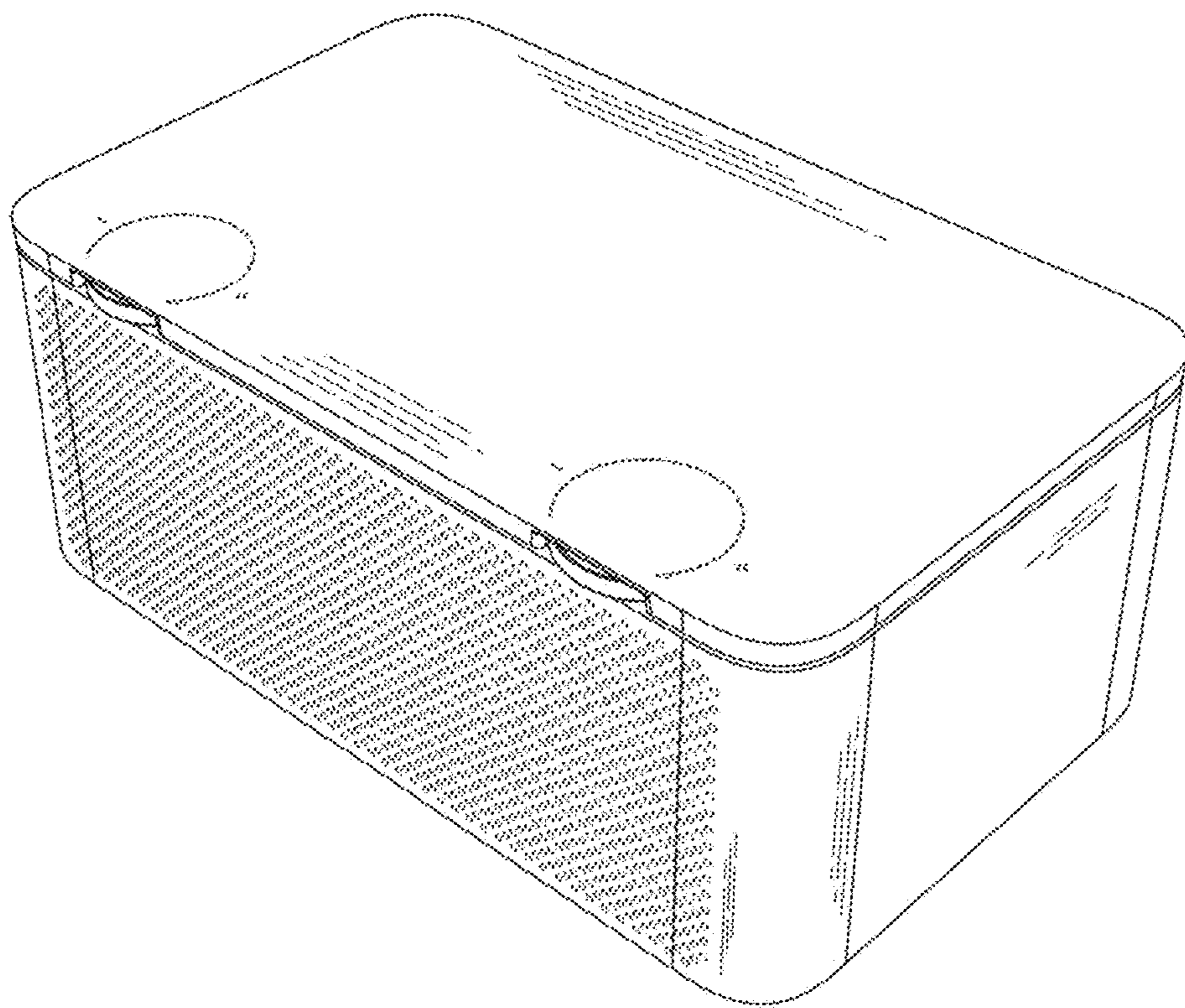


FIG.1

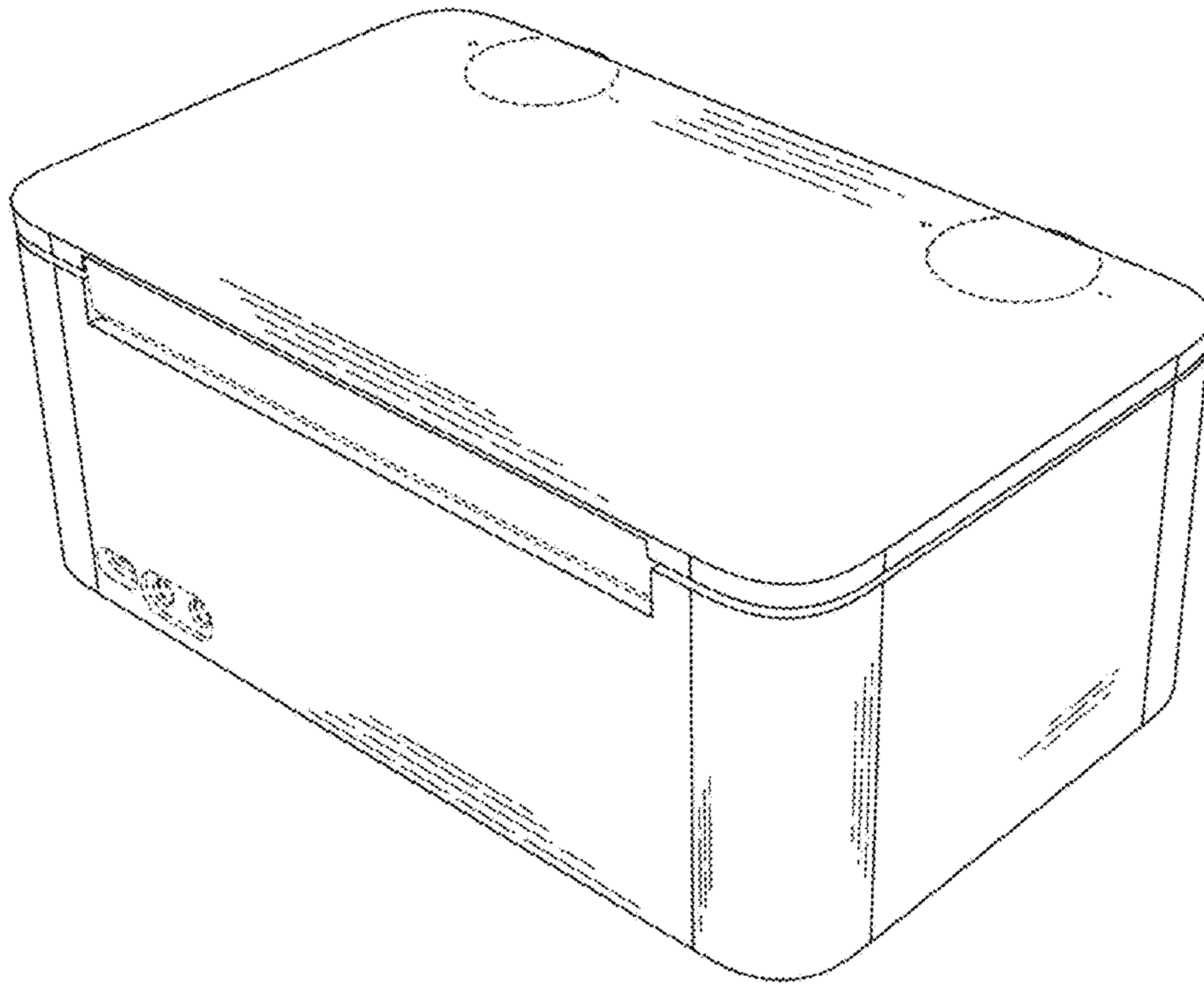


FIG.2

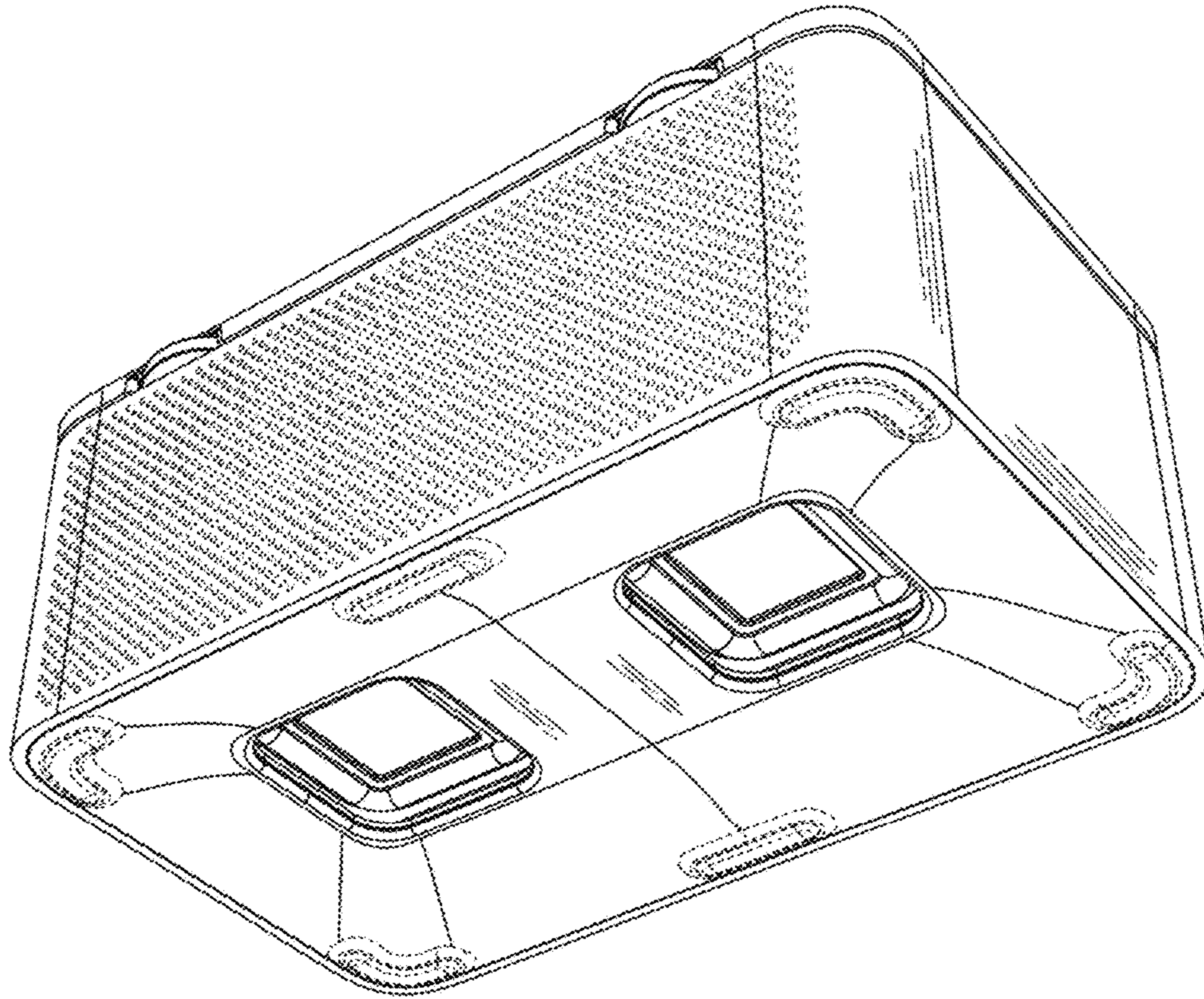


FIG.3

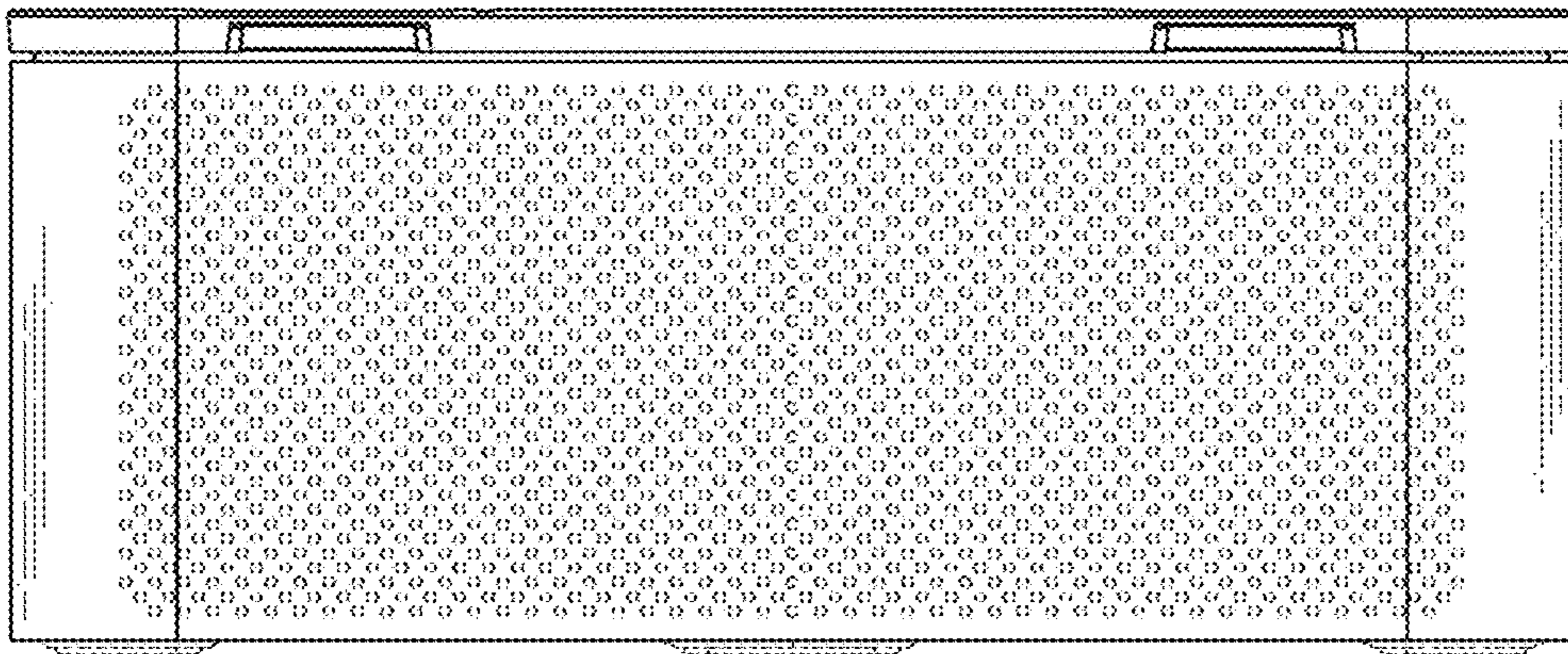


FIG. 4

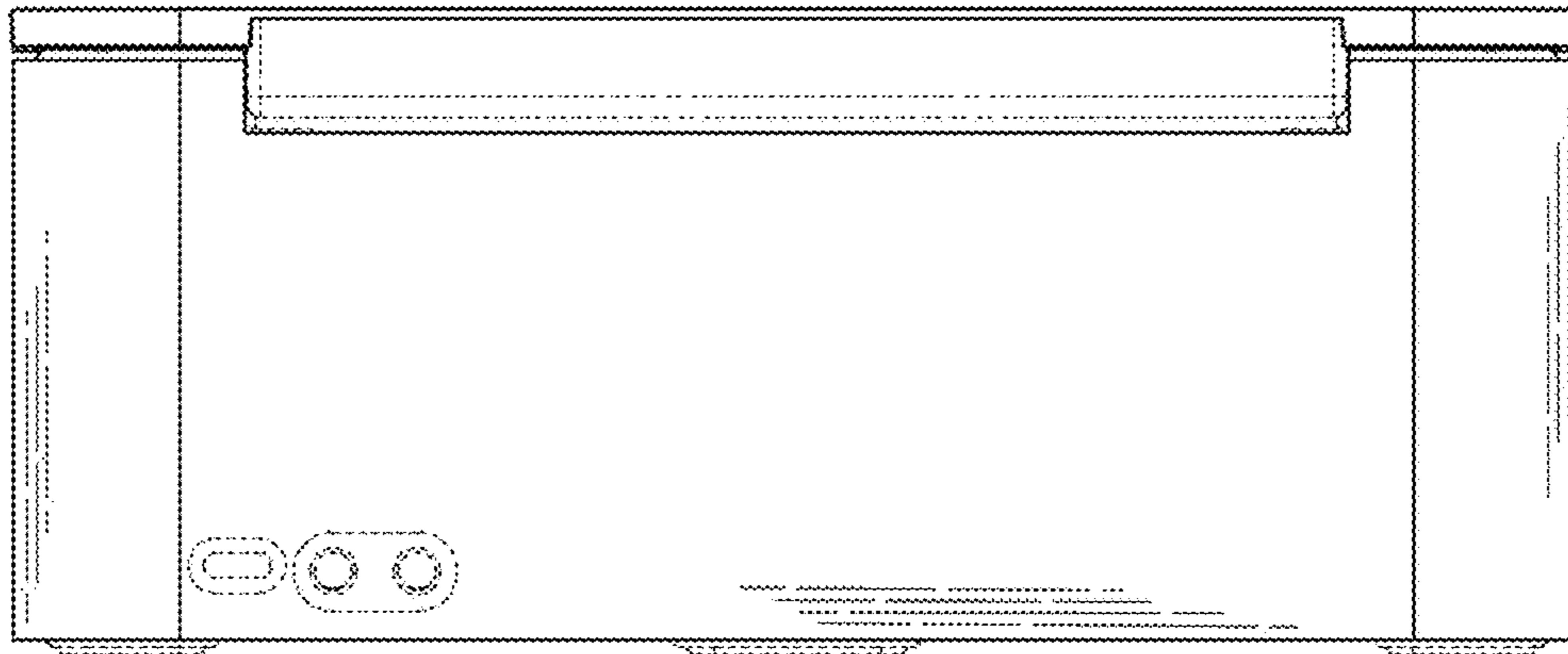


FIG. 5

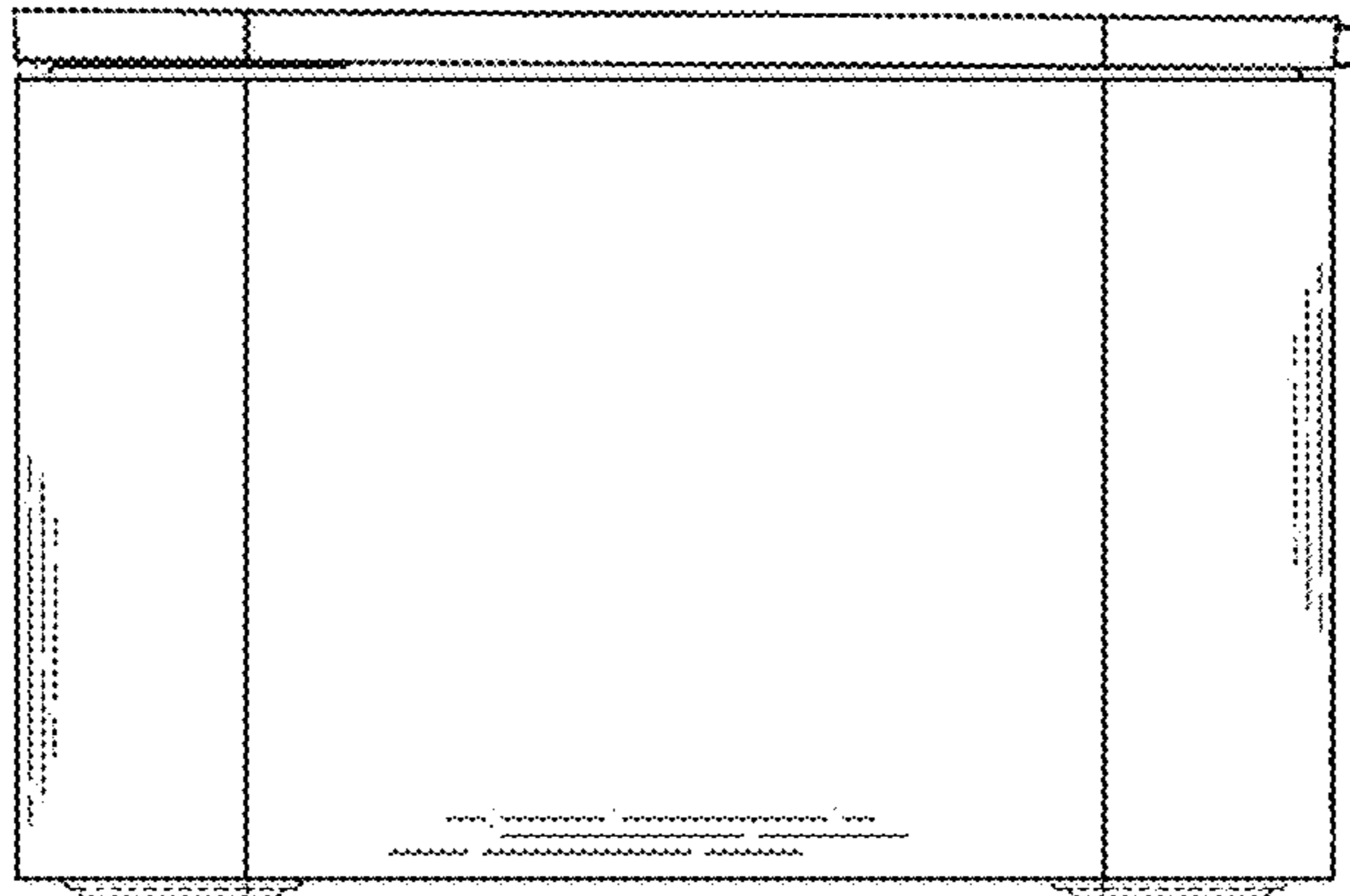


FIG.6

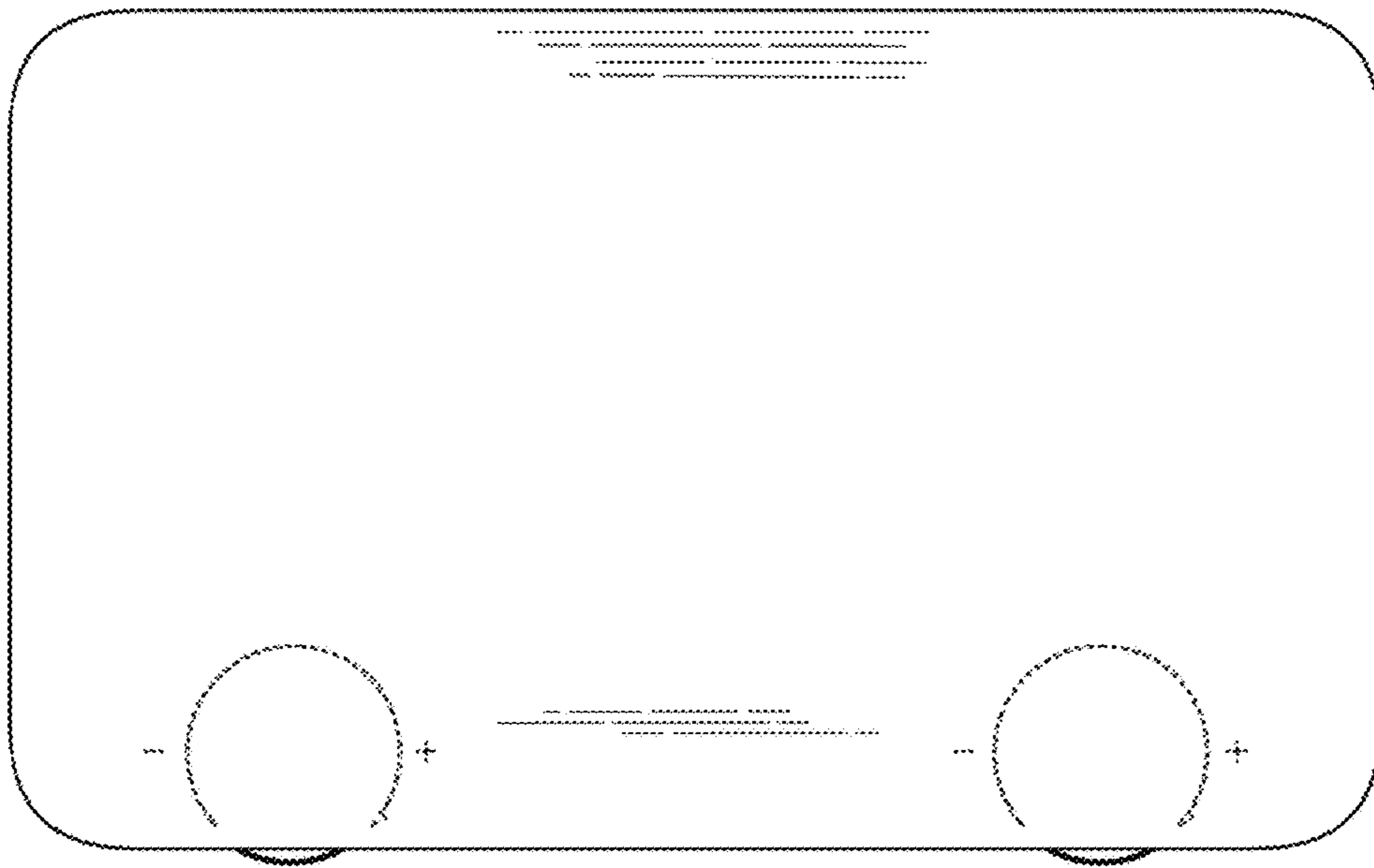


FIG. 7

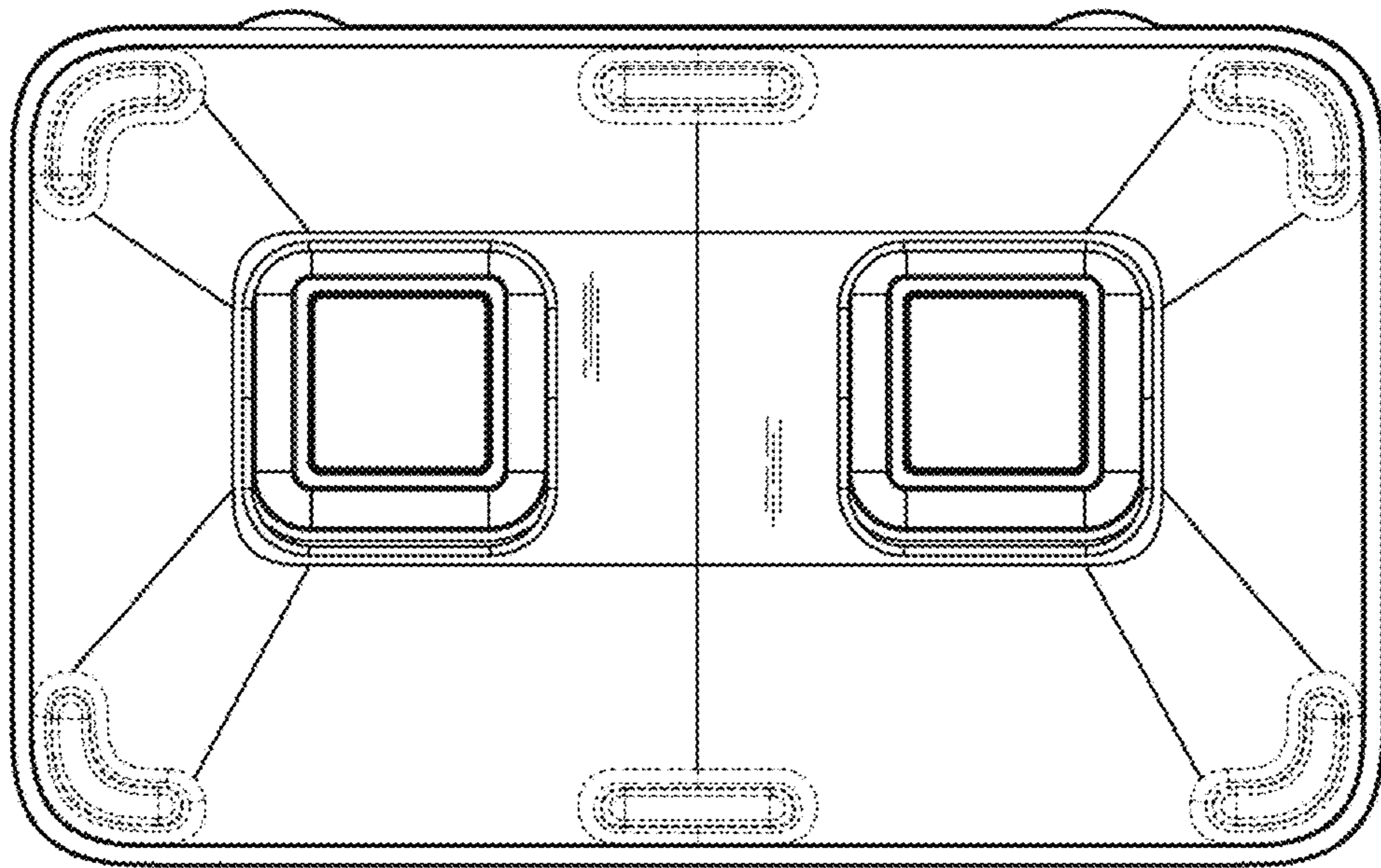


FIG. 8

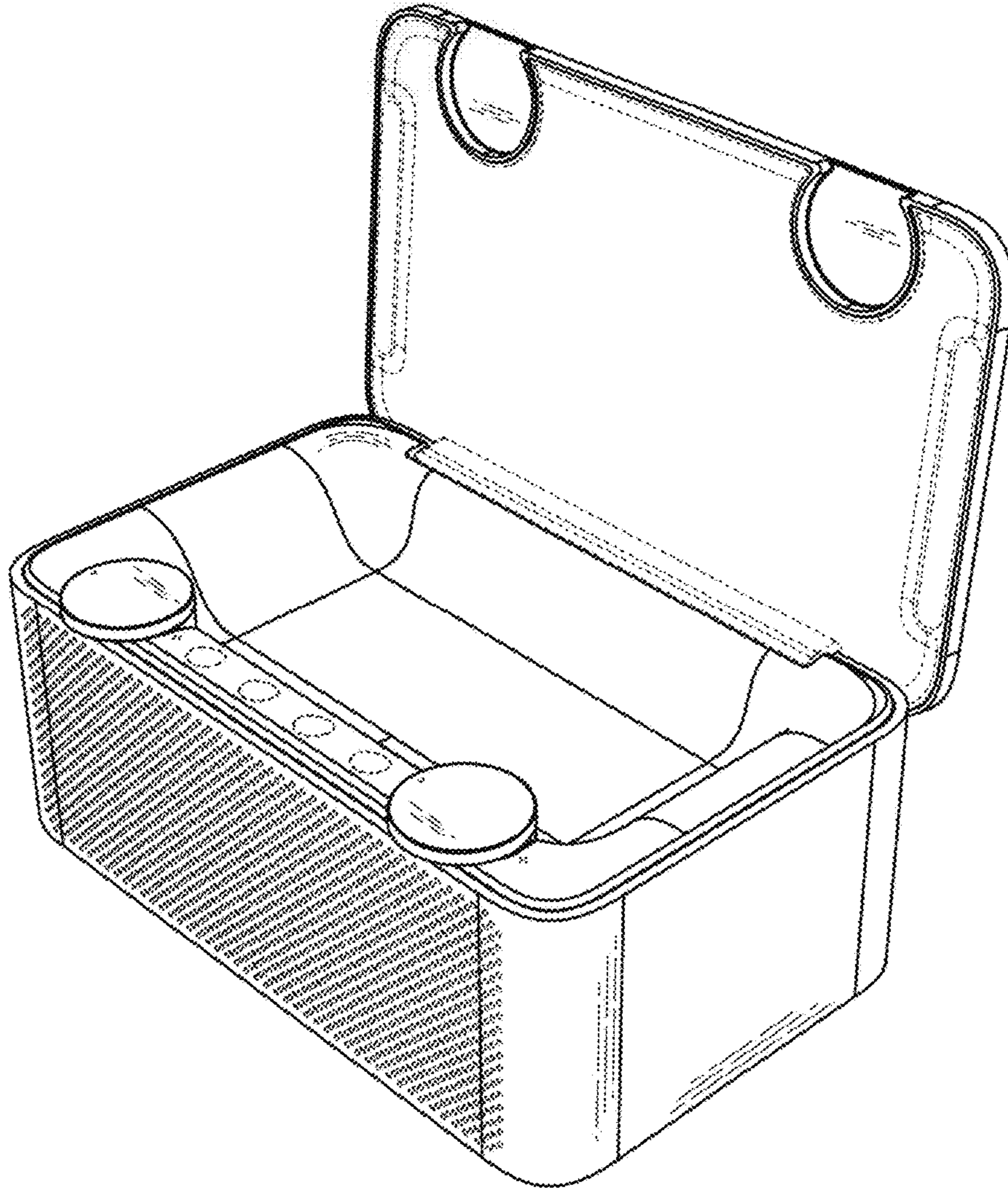


FIG.9

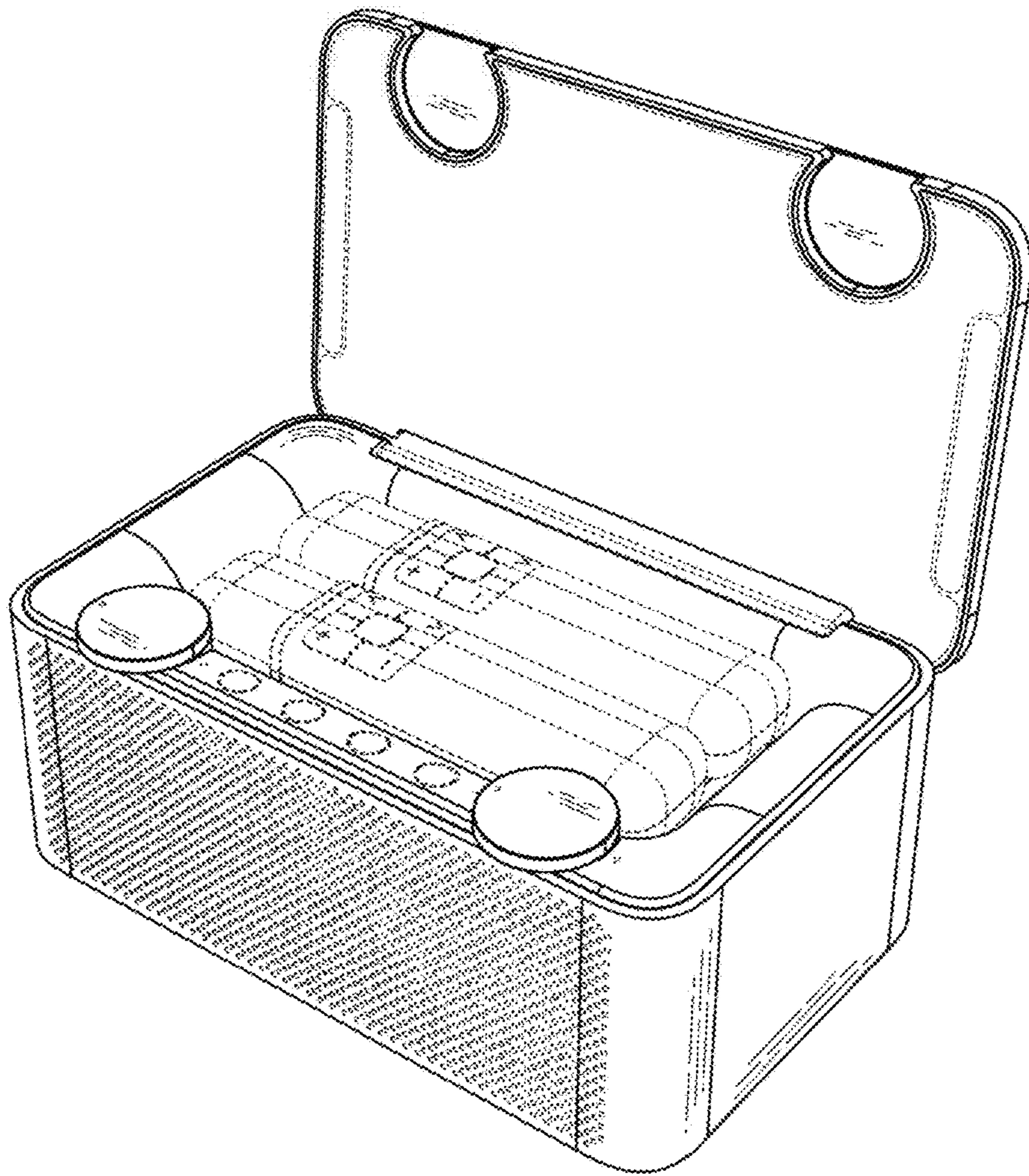


FIG.10

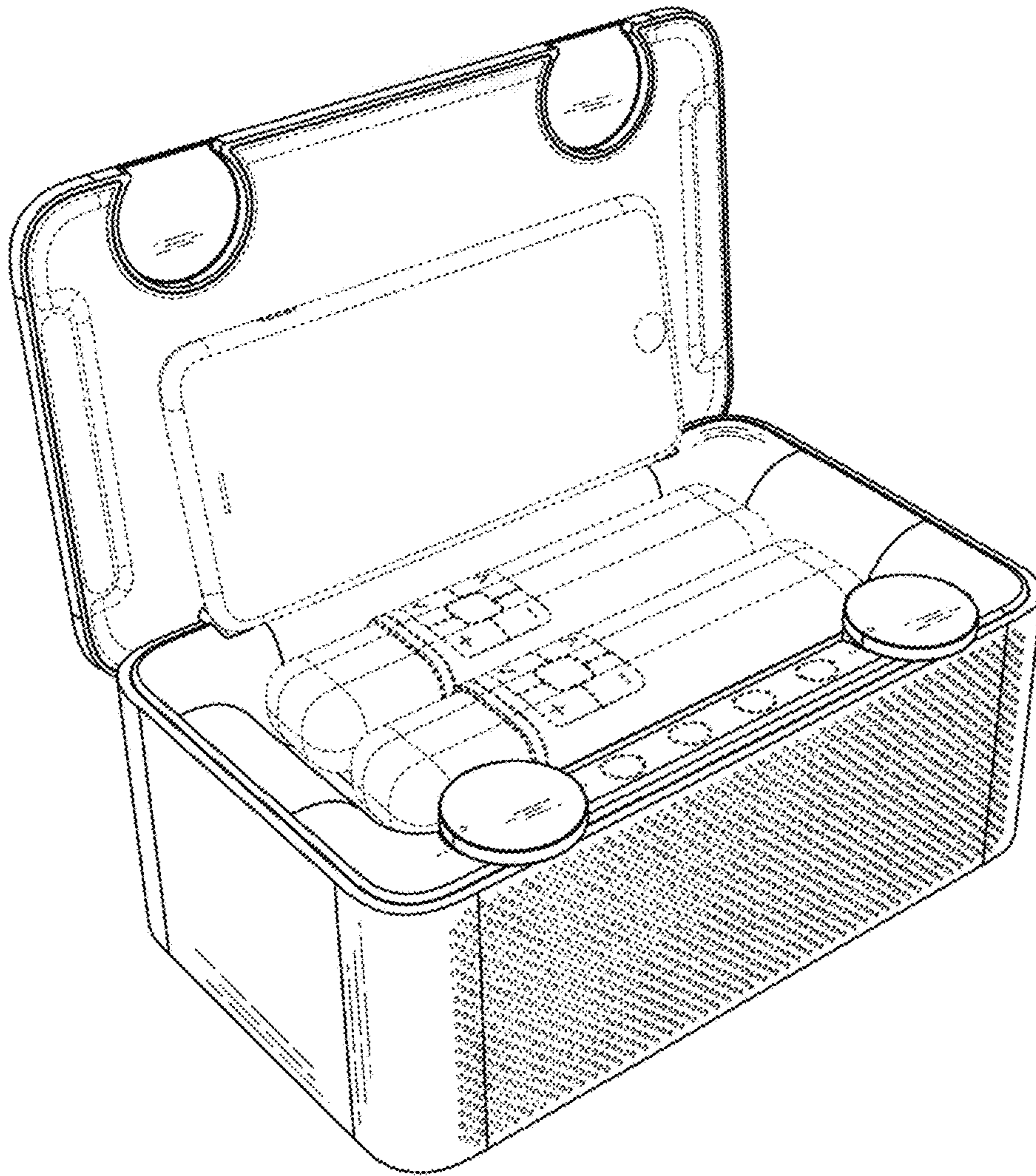


FIG. 11