



US00D835602S

(12) **United States Design Patent**  
**Hardi**

(10) **Patent No.:** **US D835,602 S**  
(45) **Date of Patent:** **\*\* Dec. 11, 2018**

(54) **WIRELESS EARBUDS AND WEARABLE CHARGER AND INTEGRATED SPEAKER**

(71) Applicant: **Muzik LLC**, Miami Beach, FL (US)  
(72) Inventor: **Jason Hardi**, Miami Beach, FL (US)  
(73) Assignee: **Muzik Inc.**, West Hollywood, CA (US)  
(\*\*) Term: **15 Years**

(21) Appl. No.: **29/583,718**  
(22) Filed: **Nov. 8, 2016**  
(51) **LOC (11) Cl.** ..... **14-01**  
(52) **U.S. Cl.**  
USPC ..... **D14/205; D14/344**  
(58) **Field of Classification Search**  
USPC ... D14/356, 496, 507, 511, 205, 192, 203.5,  
D14/344, 203.3; D24/174; D13/105,  
(Continued)

(56) **References Cited**

U.S. PATENT DOCUMENTS

1,668,910 A \* 5/1928 Jones ..... H04R 1/1016  
181/130  
2,189,096 A \* 2/1940 Alonge ..... G04B 37/12  
224/170

(Continued)

*Primary Examiner* — Paula Allen Greene

(74) *Attorney, Agent, or Firm* — Ward and Smith, P.A.

(57) **CLAIM**

The ornamental design for wireless earbuds and wearable charger and integrated speaker, as shown and described.

**DESCRIPTION**

FIG. 1 is a front perspective view the ornamental design for a first embodiment of wireless earbuds secured to a wearable charger and integrated speaker according to my invention;

FIG. 2 is a rear perspective view of the ornamental design for the first embodiment of wireless earbuds secured to a wearable charger and integrated speaker according to my invention;

FIG. 3 is a front view of the ornamental design for the first embodiment of wireless earbuds secured to a wearable charger and integrated speaker according to my invention;

FIG. 4 is a rear view of the ornamental design for the first embodiment of wireless earbuds secured to a wearable charger and integrated speaker according to my invention;

FIG. 5 is a side view of the ornamental design for the first embodiment of wireless earbuds secured to a wearable charger and integrated speaker according to my invention;

FIG. 6 is an opposing side view of the ornamental design for the first embodiment of wireless earbuds secured to a wearable charger and integrated speaker according to my invention;

FIG. 7 is a top view of the ornamental design for the first embodiment of wireless earbuds secured to a wearable charger and integrated speaker according to my invention;

FIG. 8 is bottom view of the ornamental design for the first embodiment of wireless earbuds secured to a wearable charger and integrated speaker according to my invention;

FIG. 9 is a front perspective view the ornamental design for a second embodiment of wireless earbuds secured to a wearable charger and integrated speaker according to my invention;

FIG. 10 is a rear perspective view of the ornamental design for the second embodiment of wireless earbuds secured to a wearable charger and integrated speaker according to my invention;

FIG. 11 is a front view of the ornamental design for the second embodiment of wireless earbuds secured to a wearable charger and integrated speaker according to my invention;

FIG. 12 is a rear view of the ornamental design for the second embodiment of wireless earbuds secured to a wearable charger and integrated speaker according to my invention;

FIG. 13 is a side view of the ornamental design for the second embodiment of wireless earbuds secured to a wearable charger and integrated speaker according to my invention;

(Continued)

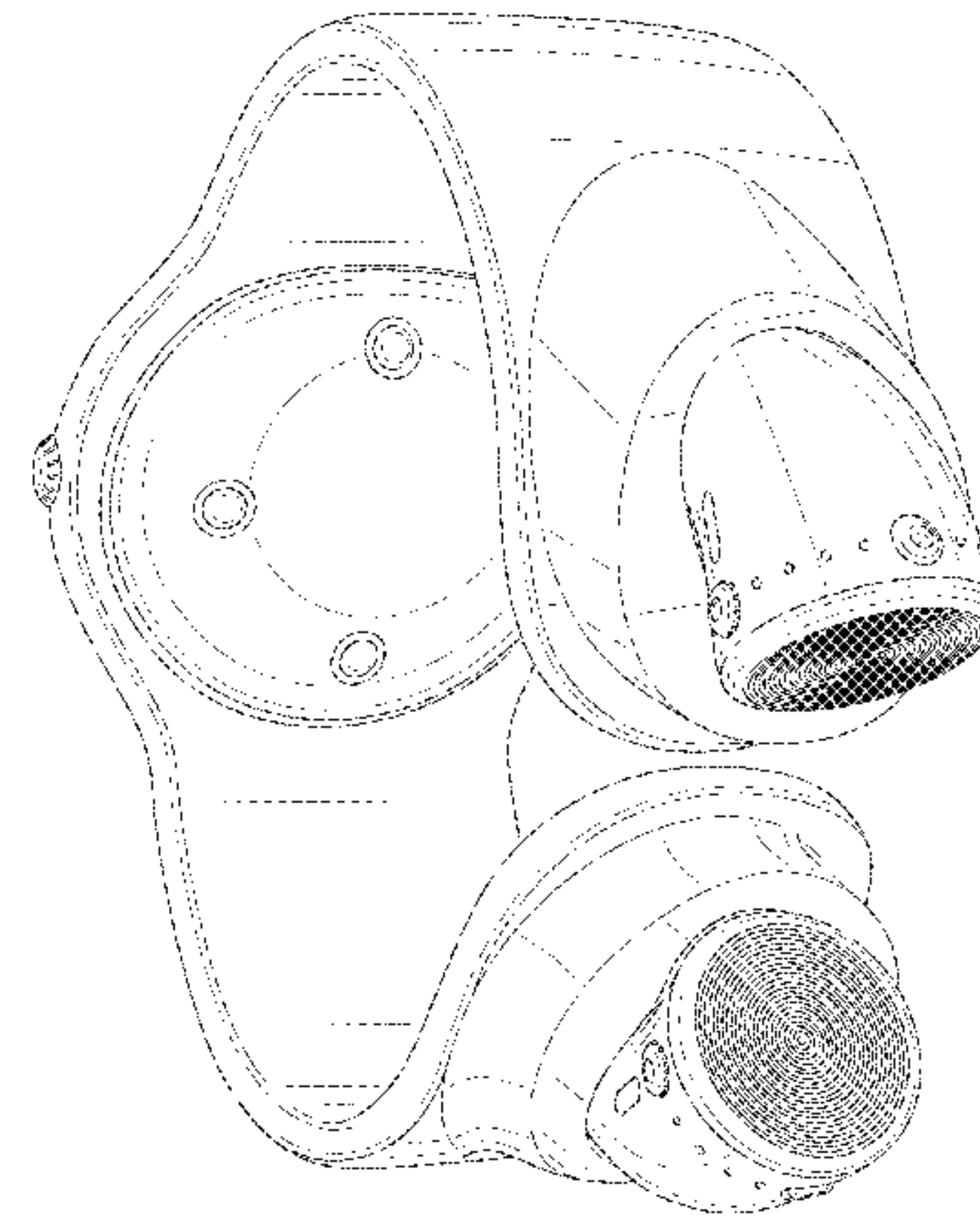
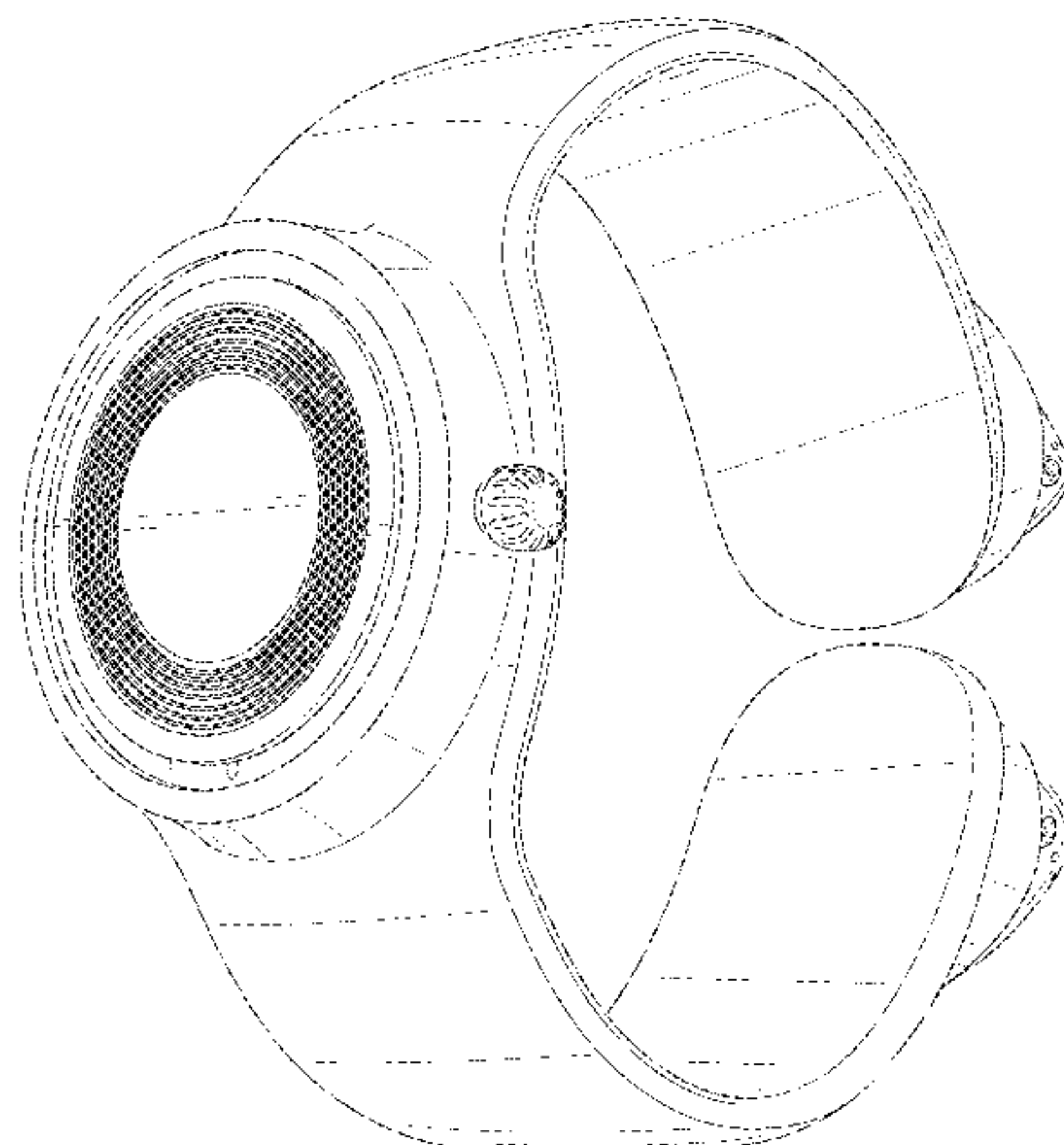


FIG. 14 is an opposing side view of the ornamental design for the second embodiment of wireless earbuds secured to a wearable charger and integrated speaker according to my invention;

FIG. 15 is a top view of the ornamental design for the second embodiment of wireless earbuds secured to a wearable charger and integrated speaker according to my invention; and,

FIG. 16 bottom view of the ornamental design for the second embodiment of wireless earbuds secured to a wearable charger and integrated speaker according to my invention. The broken lines are illustrative of environmental structure only and form no part of the claimed design.

**1 Claim, 16 Drawing Sheets**

(58) **Field of Classification Search**

USPC ..... D13/106; D10/32; 181/129, 130, 135; 379/430, 431; 455/90.3, 575.1, 569.1

CPC ..... H04R 1/1066; H04R 1/1016; G06F 3/02

See application file for complete search history.

(56) **References Cited**

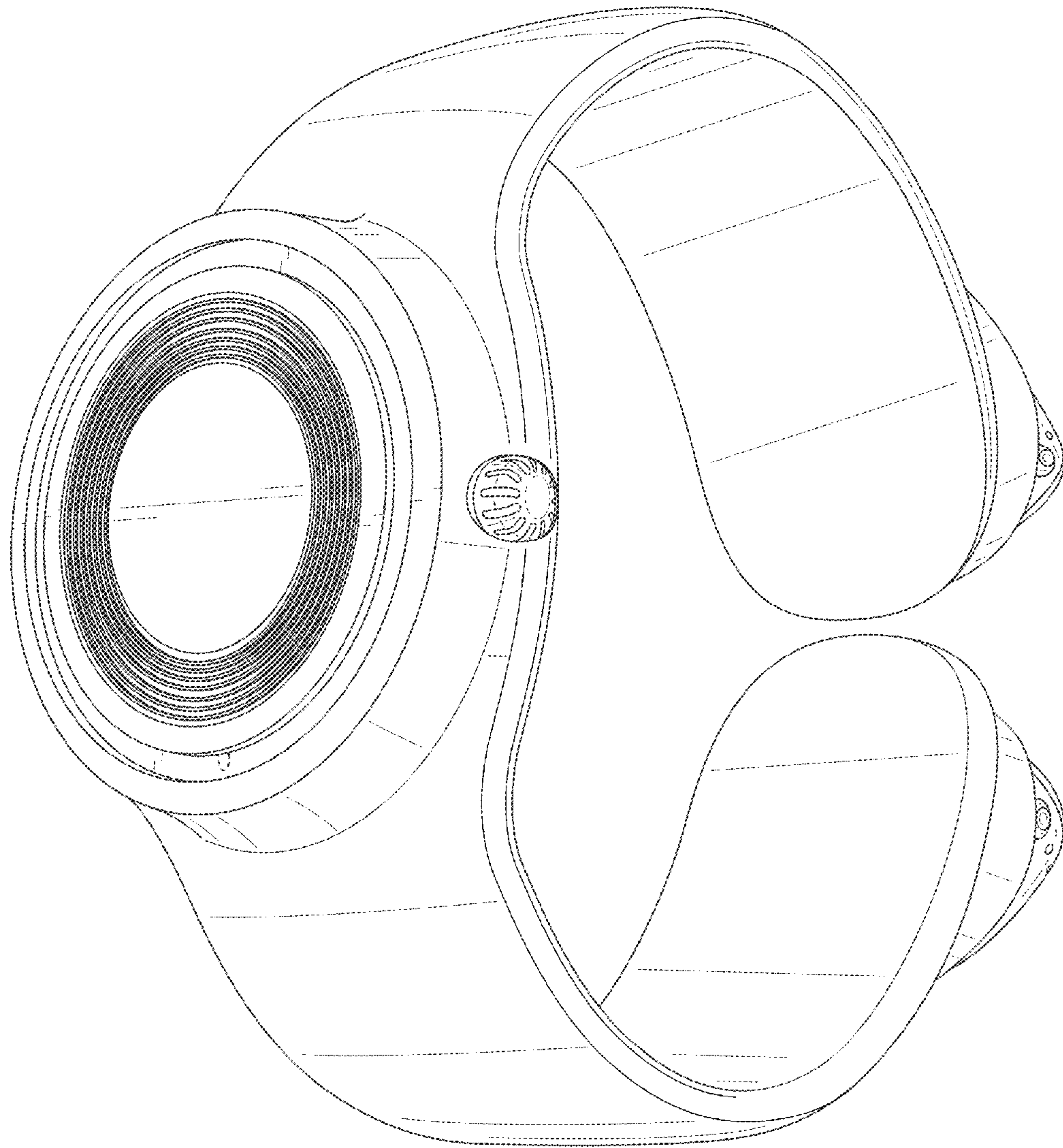
U.S. PATENT DOCUMENTS

2,472,351 A \* 6/1949 Tyler ..... G04B 37/12  
368/282  
2,590,572 A \* 3/1952 Rasmussen ..... G04B 37/1486  
224/170  
2,952,967 A \* 9/1960 Nussle ..... G04B 19/207  
368/220  
3,032,651 A \* 5/1962 Gisiger-Stahli ..... G04B 47/00  
368/10  
3,462,747 A \* 8/1969 Miller ..... G11C 17/02  
365/134  
4,419,770 A \* 12/1983 Yagi ..... G04B 47/025  
368/10

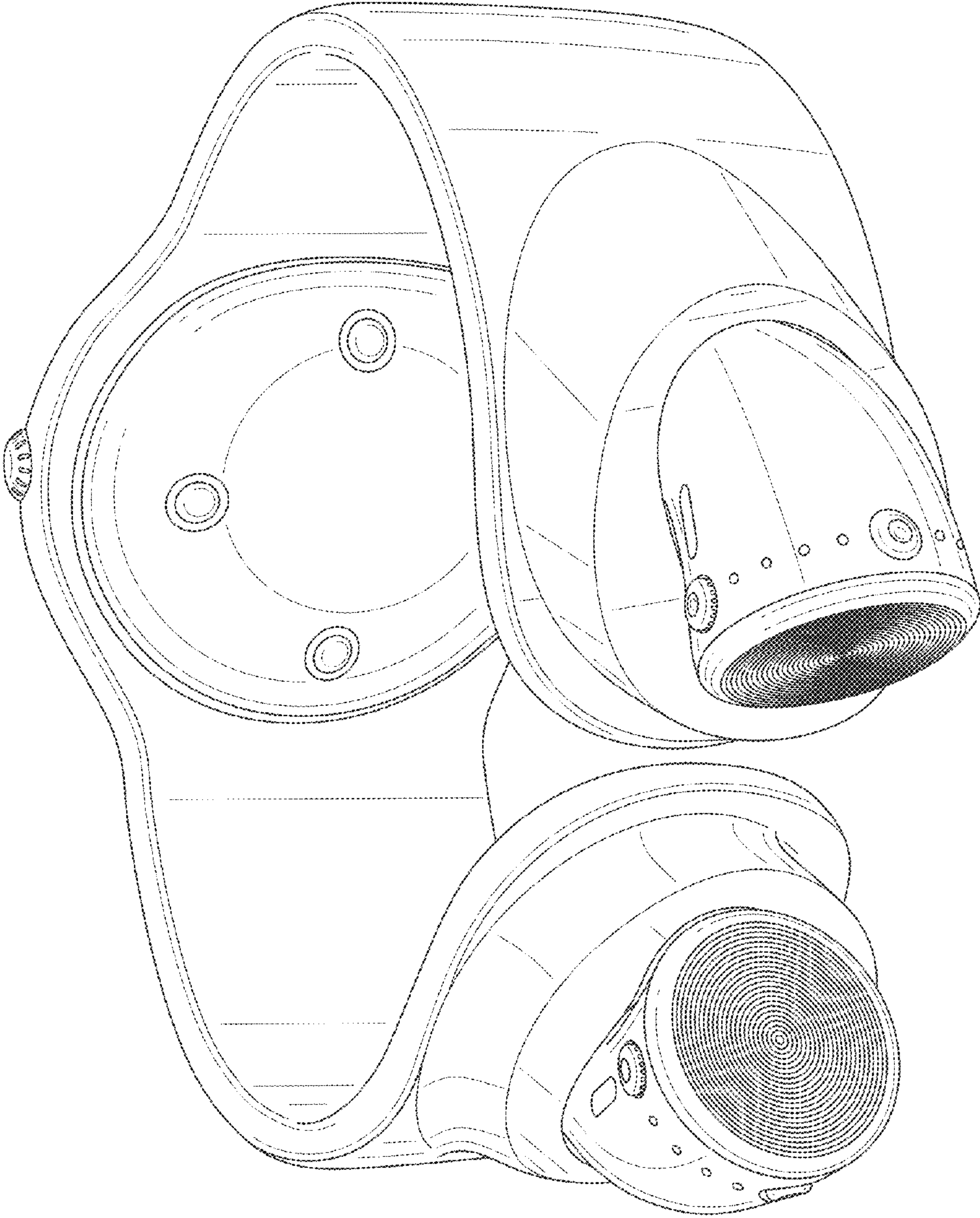
4,847,818 A \* 7/1989 Olsen ..... H04B 1/385  
224/165  
4,958,279 A \* 9/1990 Proellochs ..... G04B 37/1433  
224/179  
5,008,864 A \* 4/1991 Yoshitake ..... G04B 47/025  
368/10  
5,224,076 A \* 6/1993 Thorp ..... G04B 47/00  
368/10  
5,239,521 A \* 8/1993 Blonder ..... G04B 47/025  
368/10  
5,644,785 A \* 7/1997 Garrett ..... H04B 1/086  
150/109  
6,192,253 B1 \* 2/2001 Charlier ..... H04B 1/385  
455/340  
D511,978 S \* 11/2005 Wilson ..... D10/30  
7,086,512 B2 \* 8/2006 Shack ..... H04M 1/15  
191/12 R  
D547,328 S \* 7/2007 Kin ..... D14/496  
D556,194 S \* 11/2007 Rambossek ..... D11/2  
D558,198 S \* 12/2007 Blankenship ..... D11/2  
D571,684 S \* 6/2008 Kim ..... D11/2  
D583,815 S \* 12/2008 Giovannoni ..... D11/3  
D594,000 S \* 6/2009 Yeon ..... D14/226  
D598,432 S \* 8/2009 Yeon ..... D14/226  
D654,056 S \* 2/2012 Hoggarth ..... D14/205  
D718,170 S \* 11/2014 Aumiller ..... D10/32  
D743,330 S \* 11/2015 Zhang ..... D13/107  
D786,221 S \* 5/2017 Stoch ..... D14/223  
D789,909 S \* 6/2017 Hung ..... D14/223  
D794,614 S \* 8/2017 Xu ..... D14/223  
D795,959 S \* 8/2017 Chen ..... D14/203.3  
D796,485 S \* 9/2017 Sia ..... D14/223  
D812,144 S \* 3/2018 Chandrasiri ..... D21/333  
2012/0234044 A1 \* 9/2012 Matysik ..... A44C 9/0061  
63/15  
2016/0134734 A1 \* 5/2016 Moser ..... H04R 1/225  
379/430  
2016/0337747 A1 \* 11/2016 Litovsky ..... H04R 5/0335  
2017/0237458 A1 \* 8/2017 Vanduynd ..... H04B 1/385  
455/90.3

\* cited by examiner

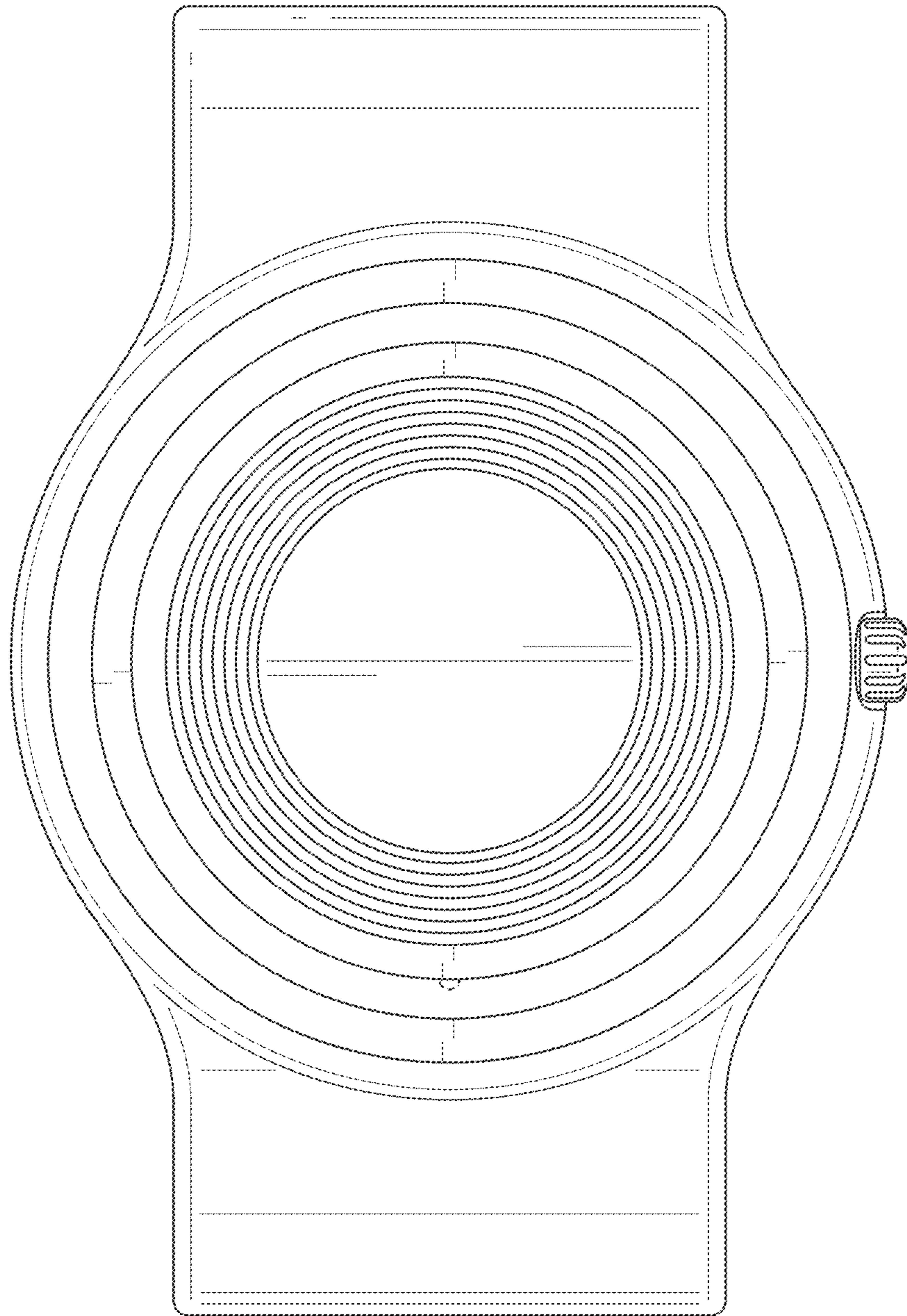




*Fig. 1*

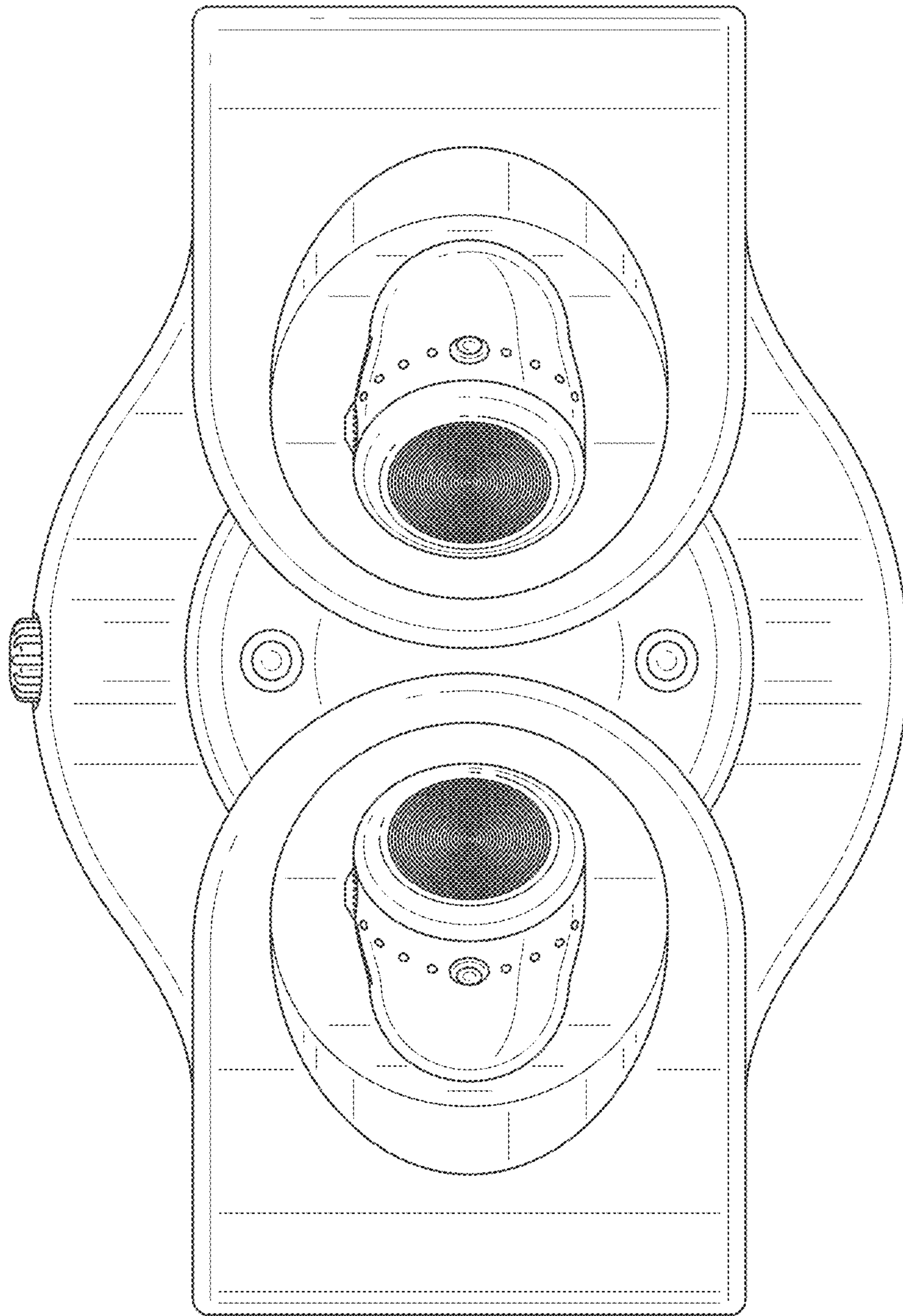


*Fig. 2*

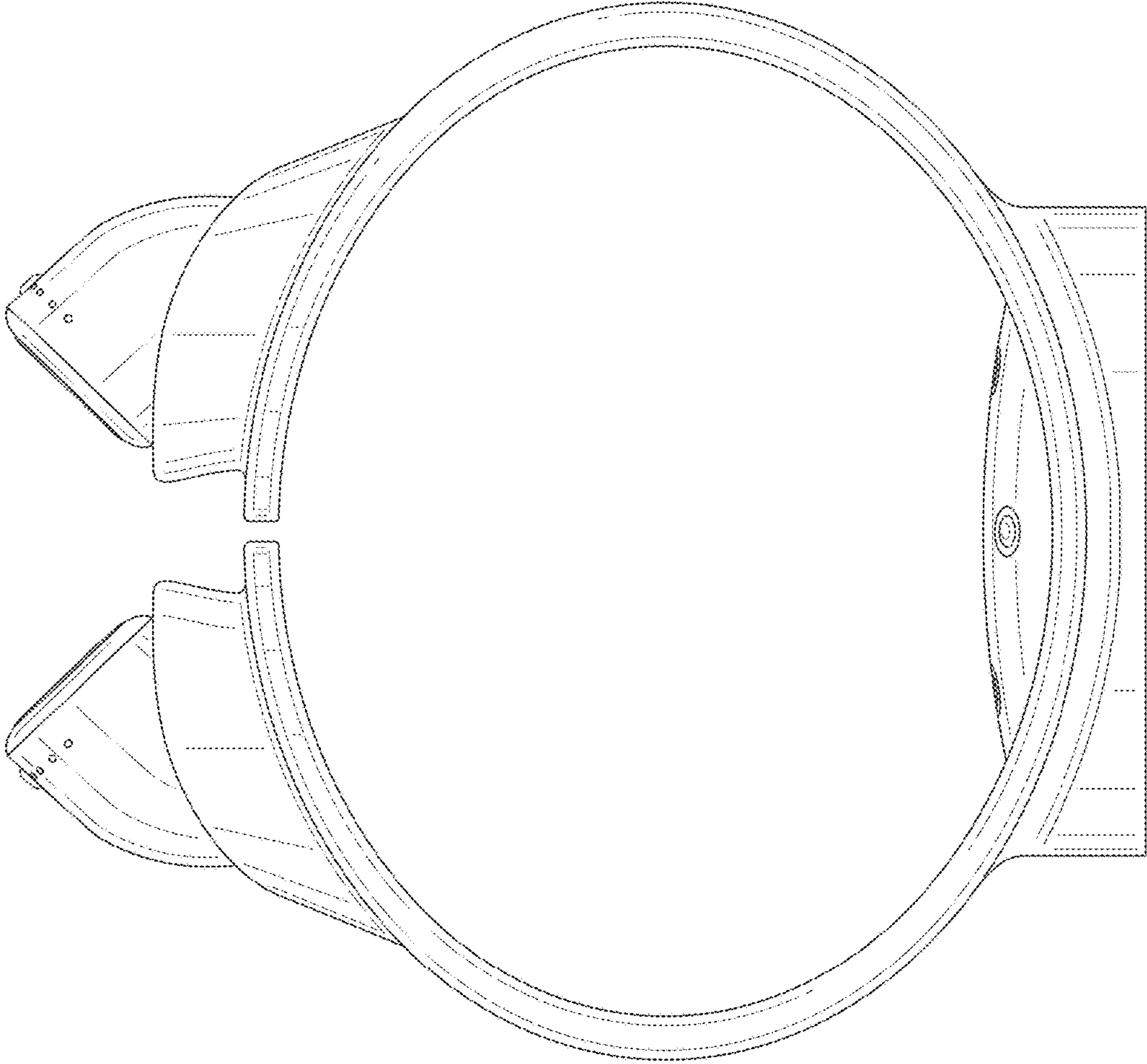


*Fig. 3*

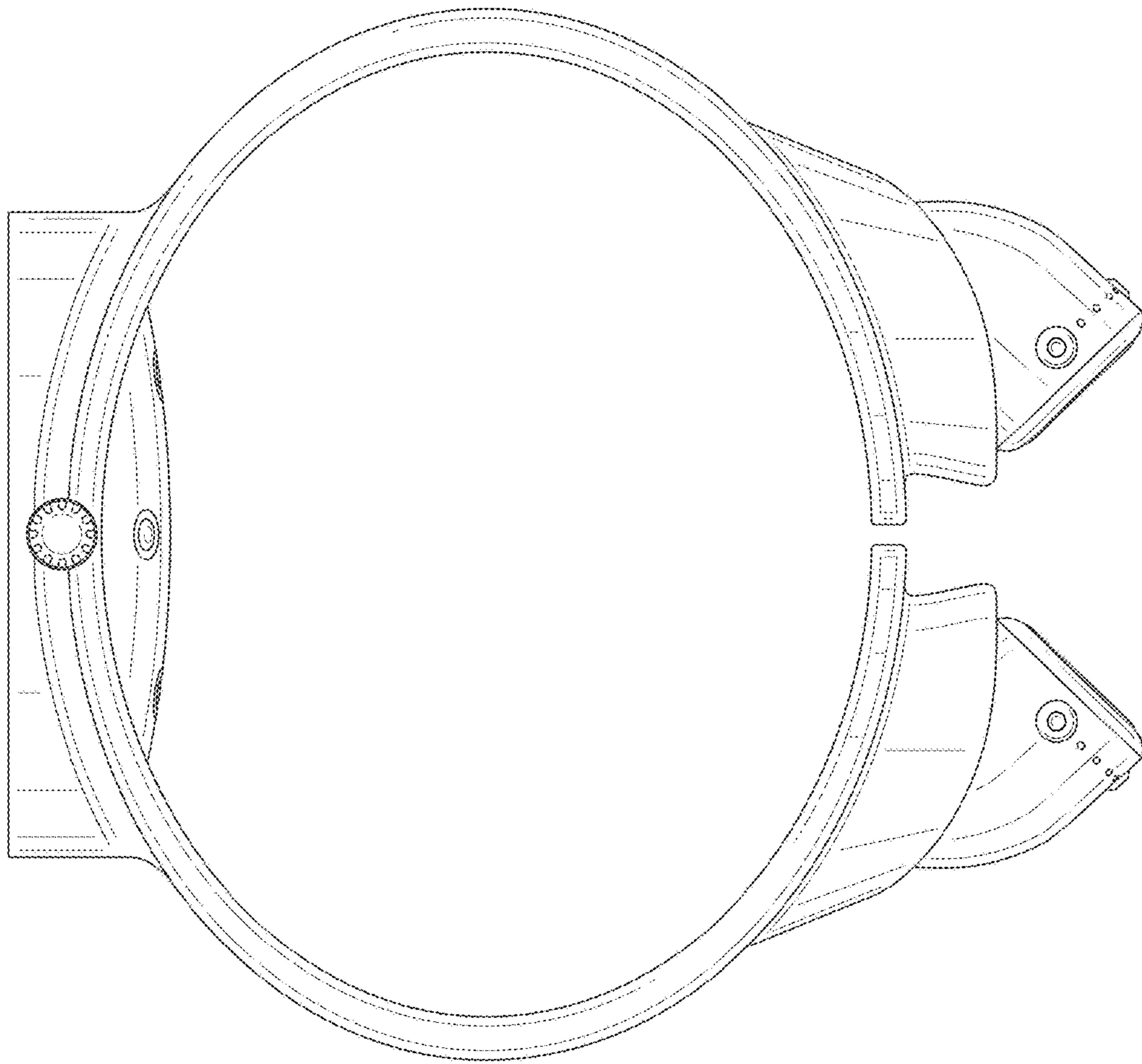




*Fig. 4*

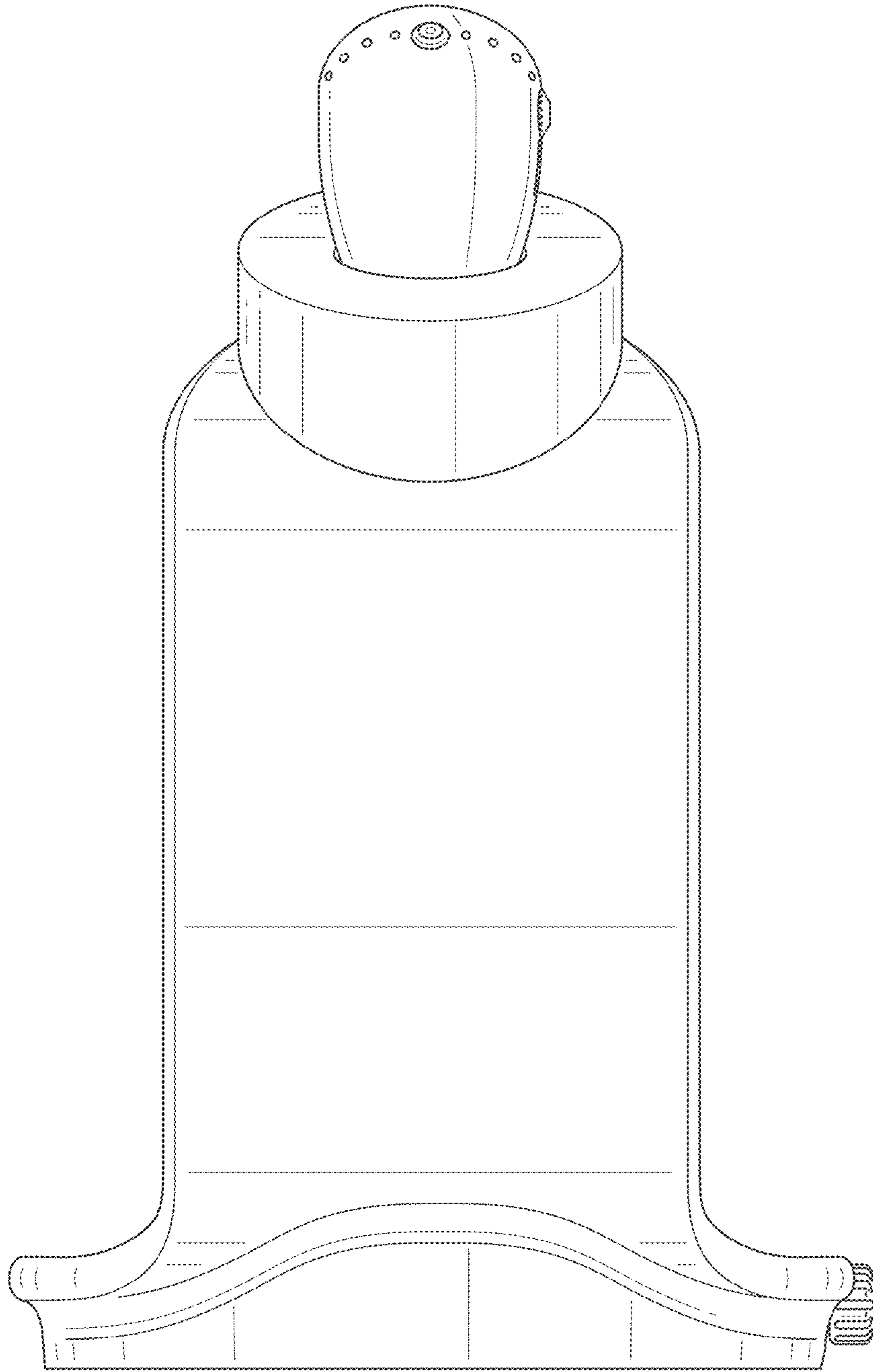


*Fig. 5*

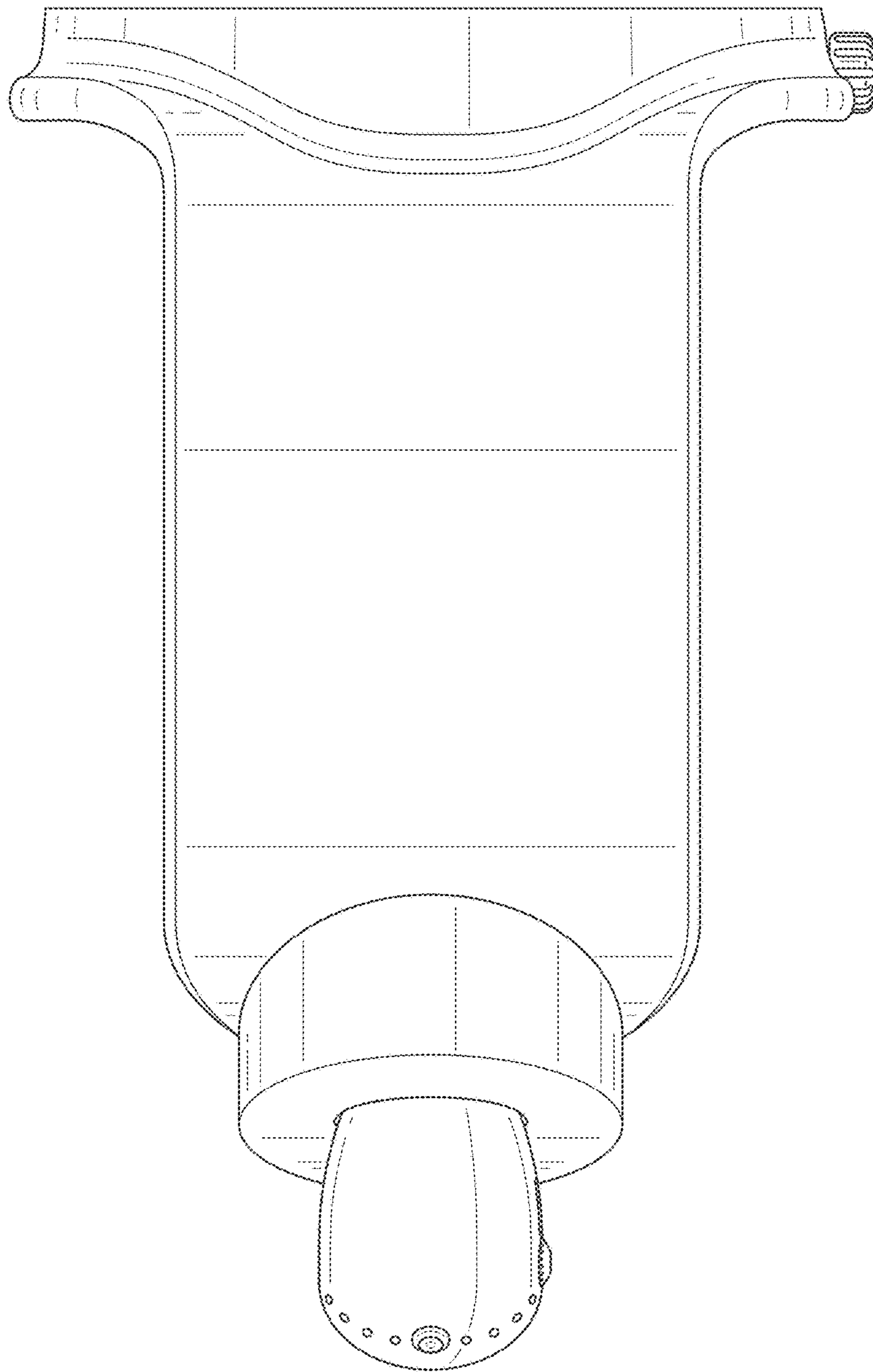


*Fig. 6*

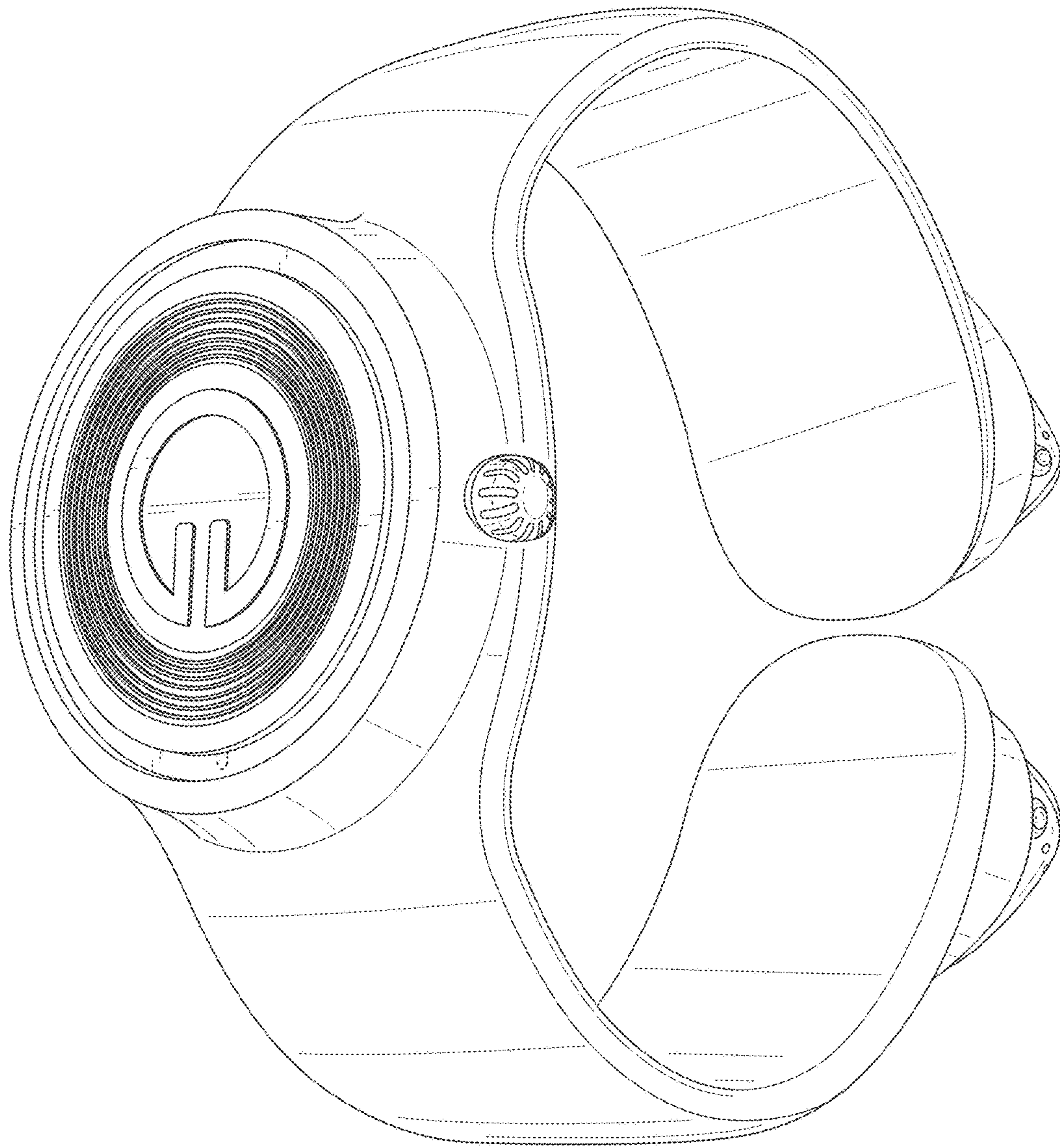




*Fig. 7*

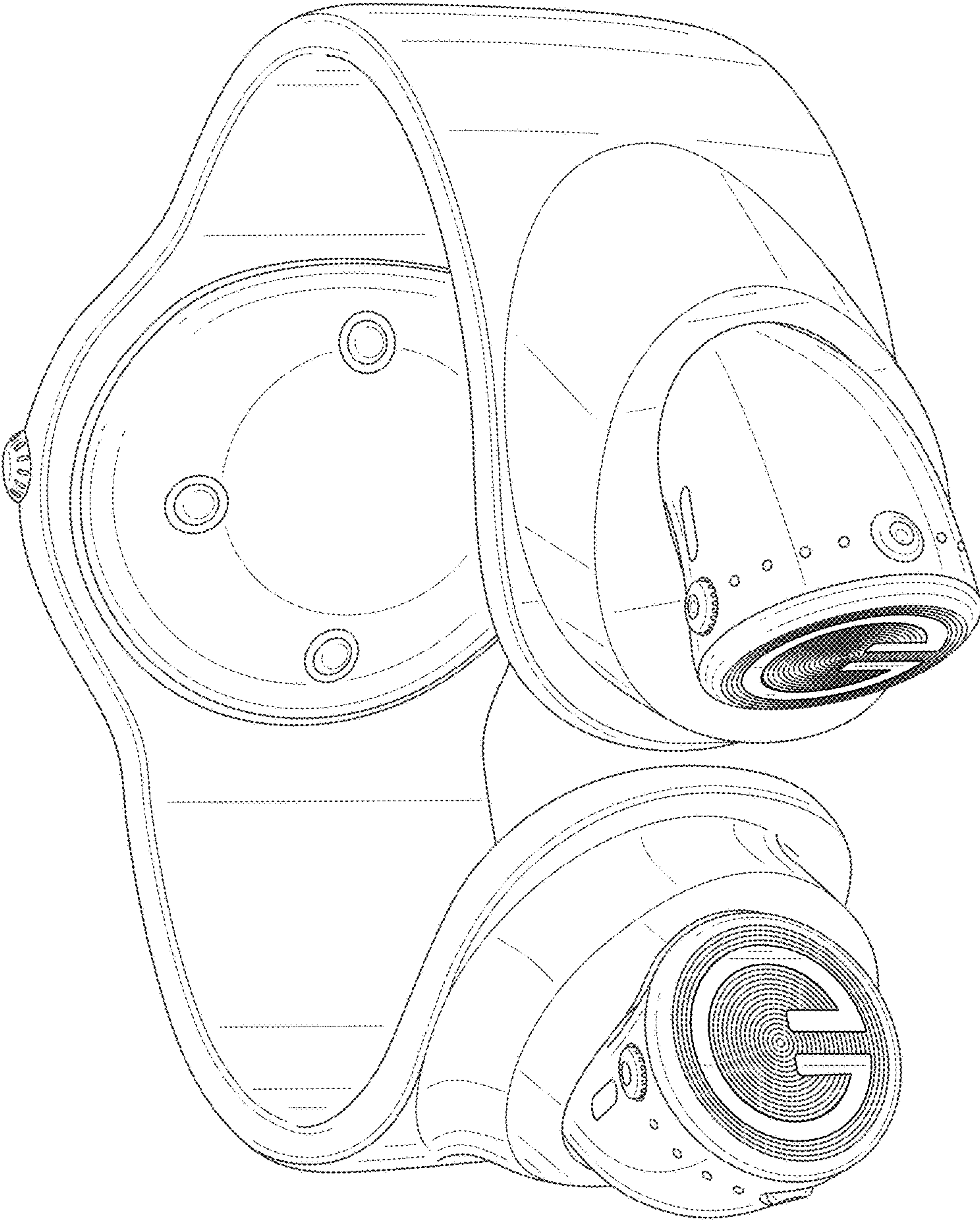


*Fig. 8*

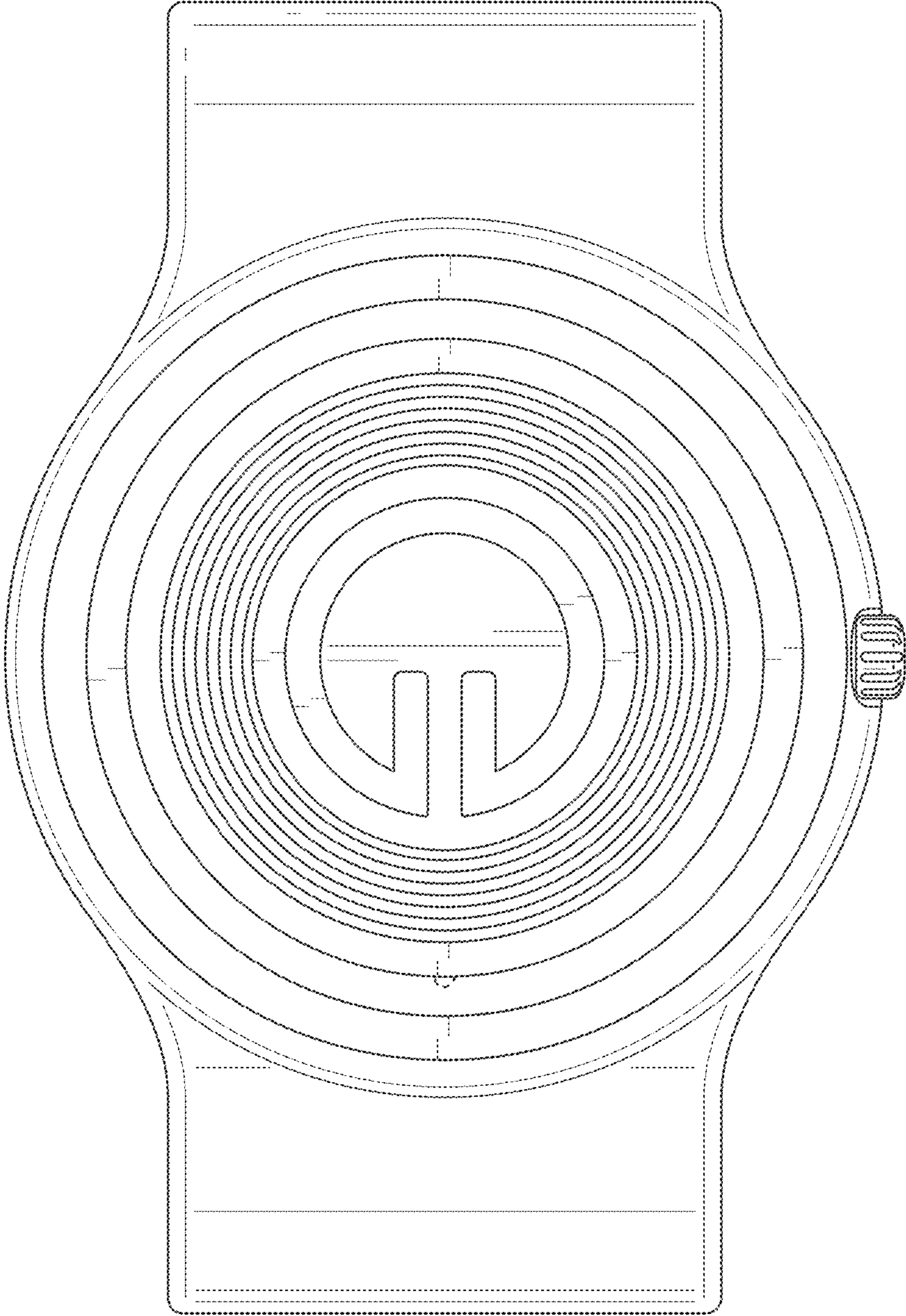


*Fig. 9*

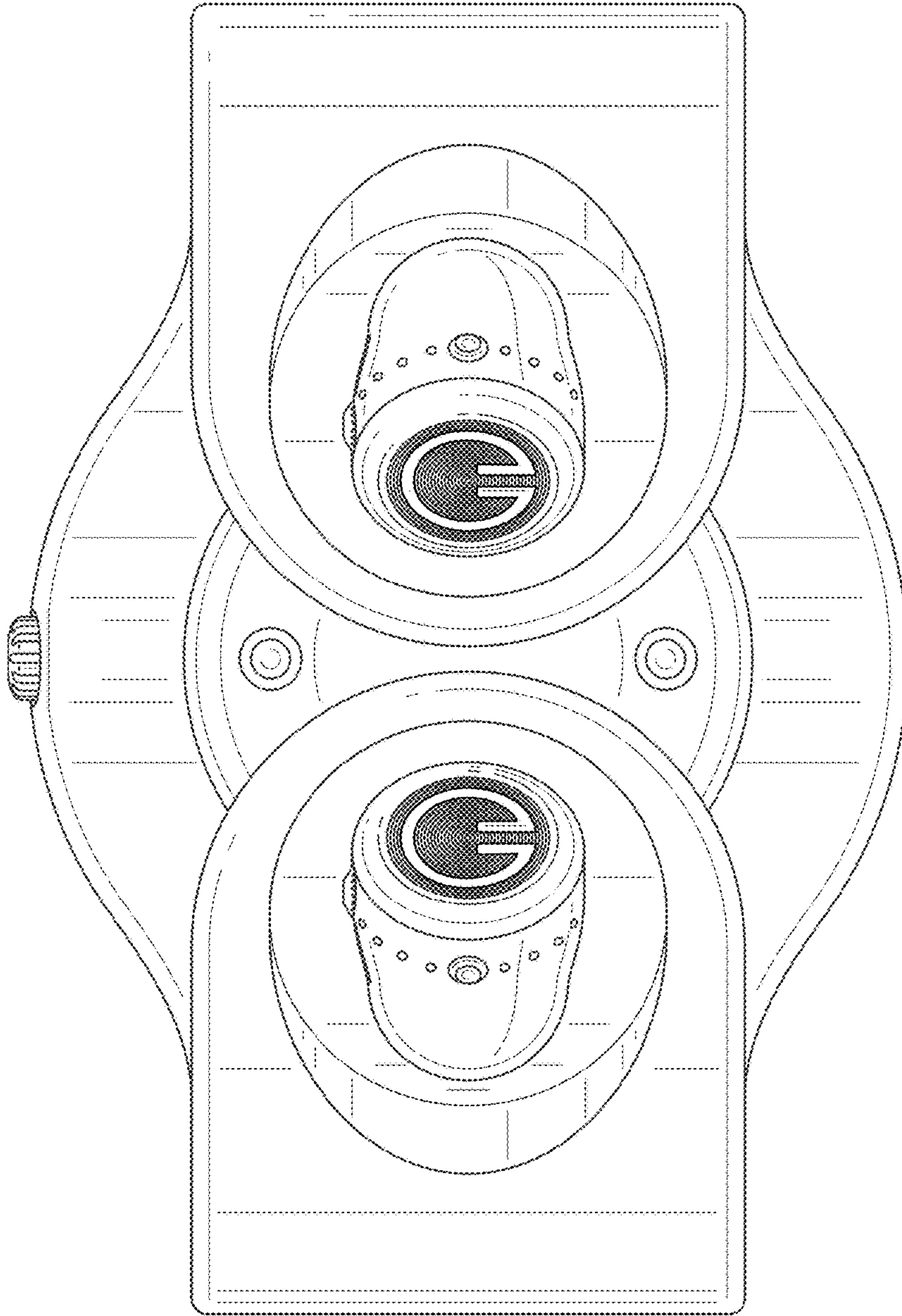




*Fig. 10*

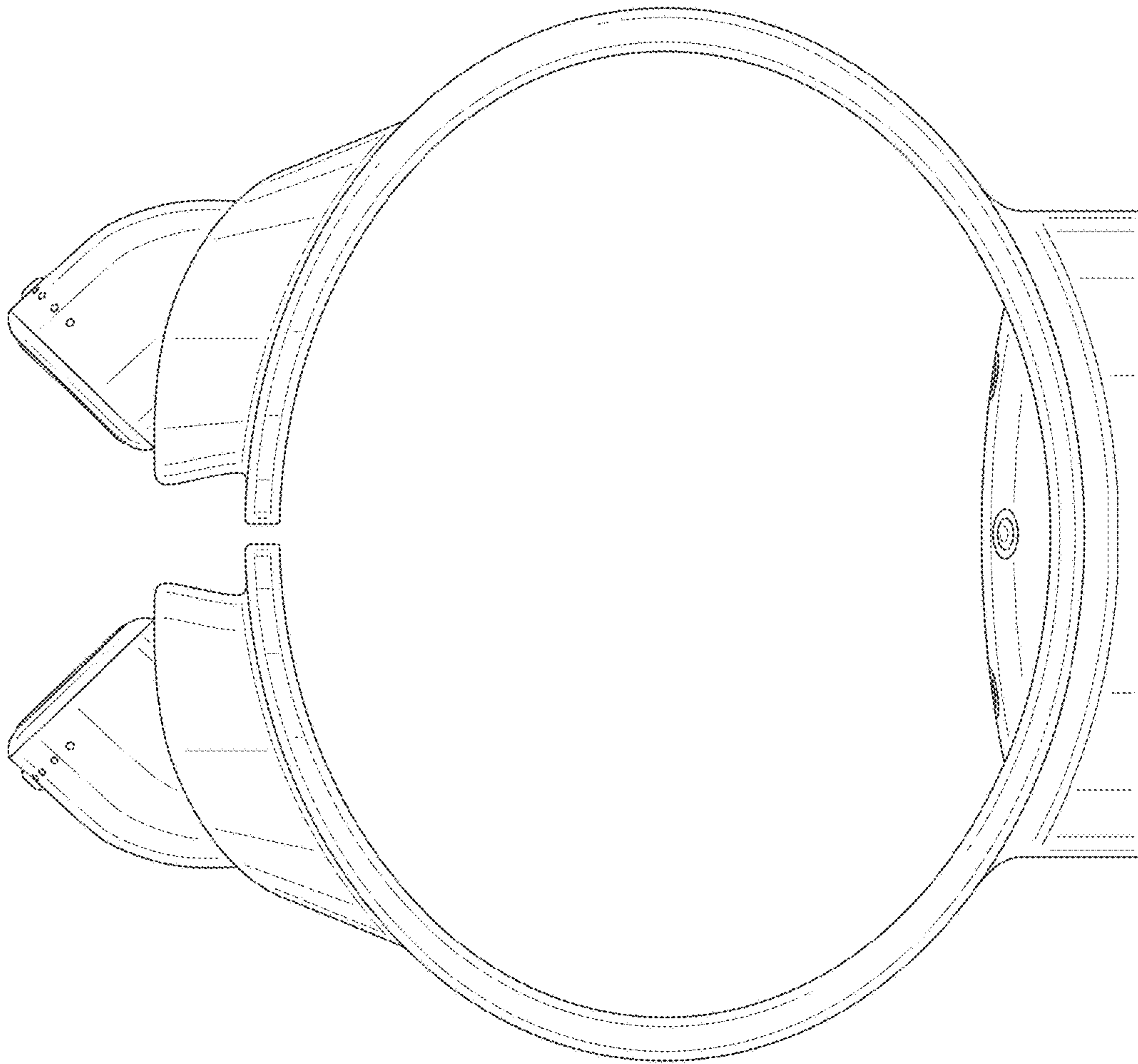


*Fig. 11*

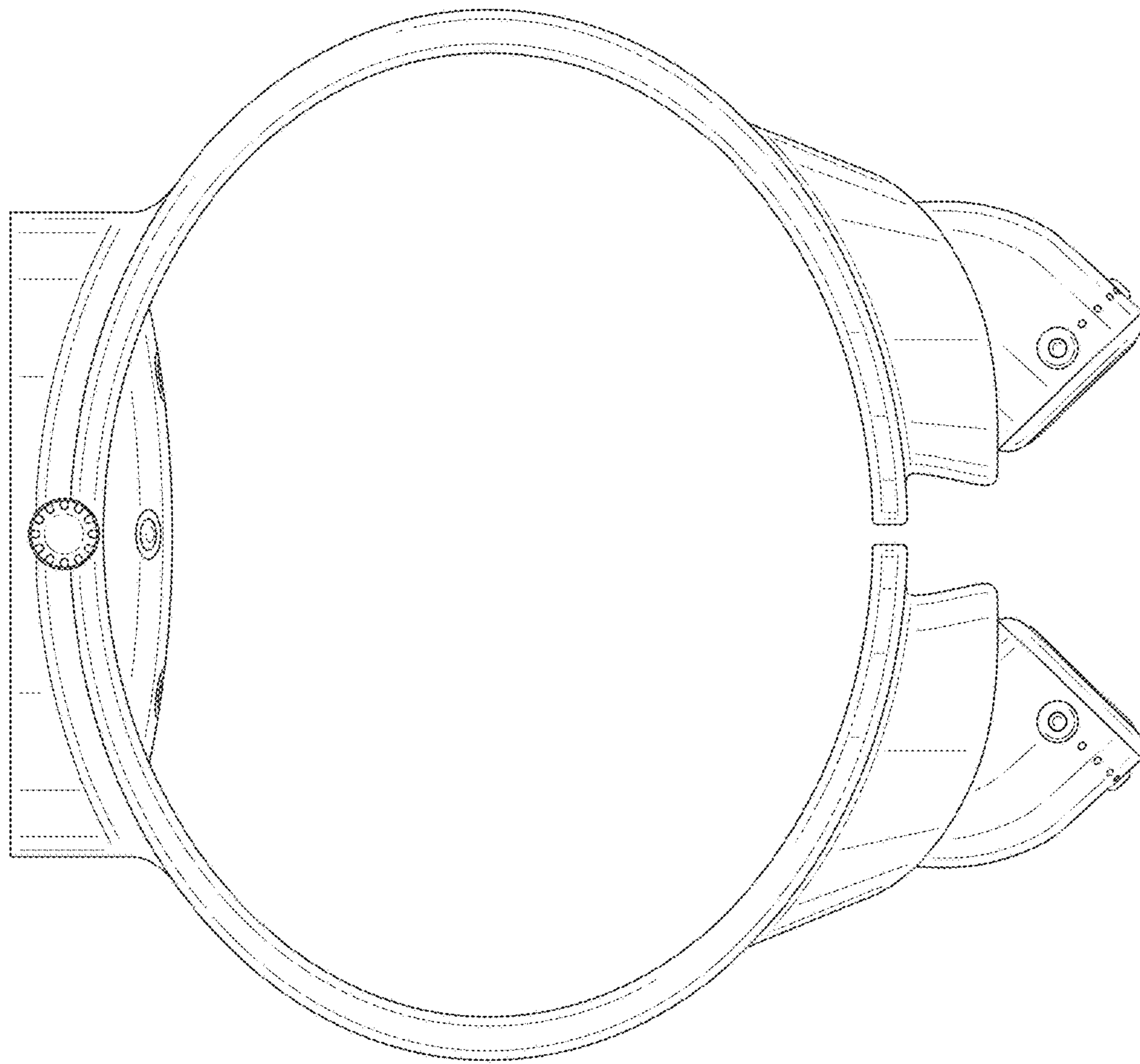


*Fig. 12*

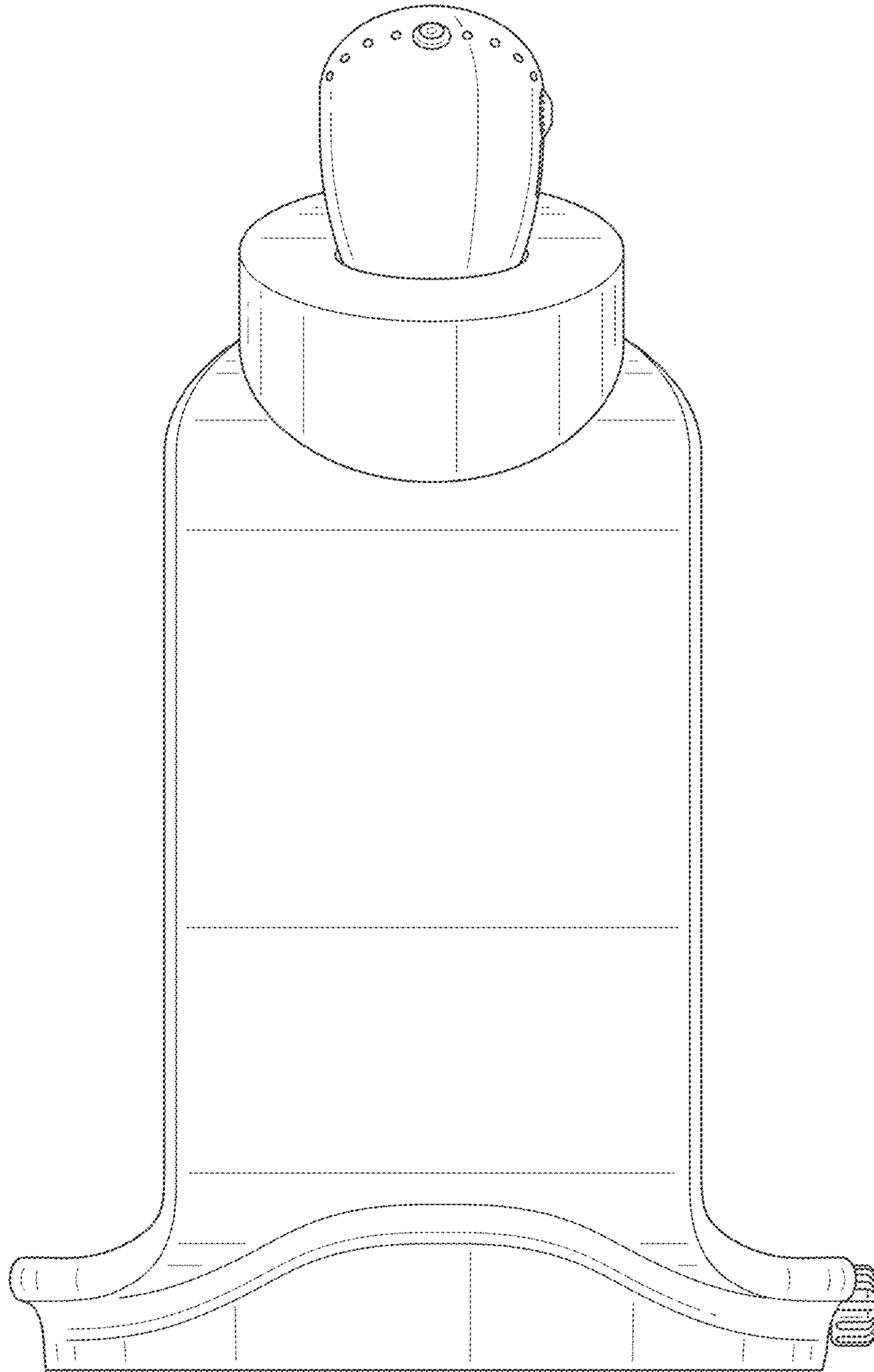




*Fig. 13*

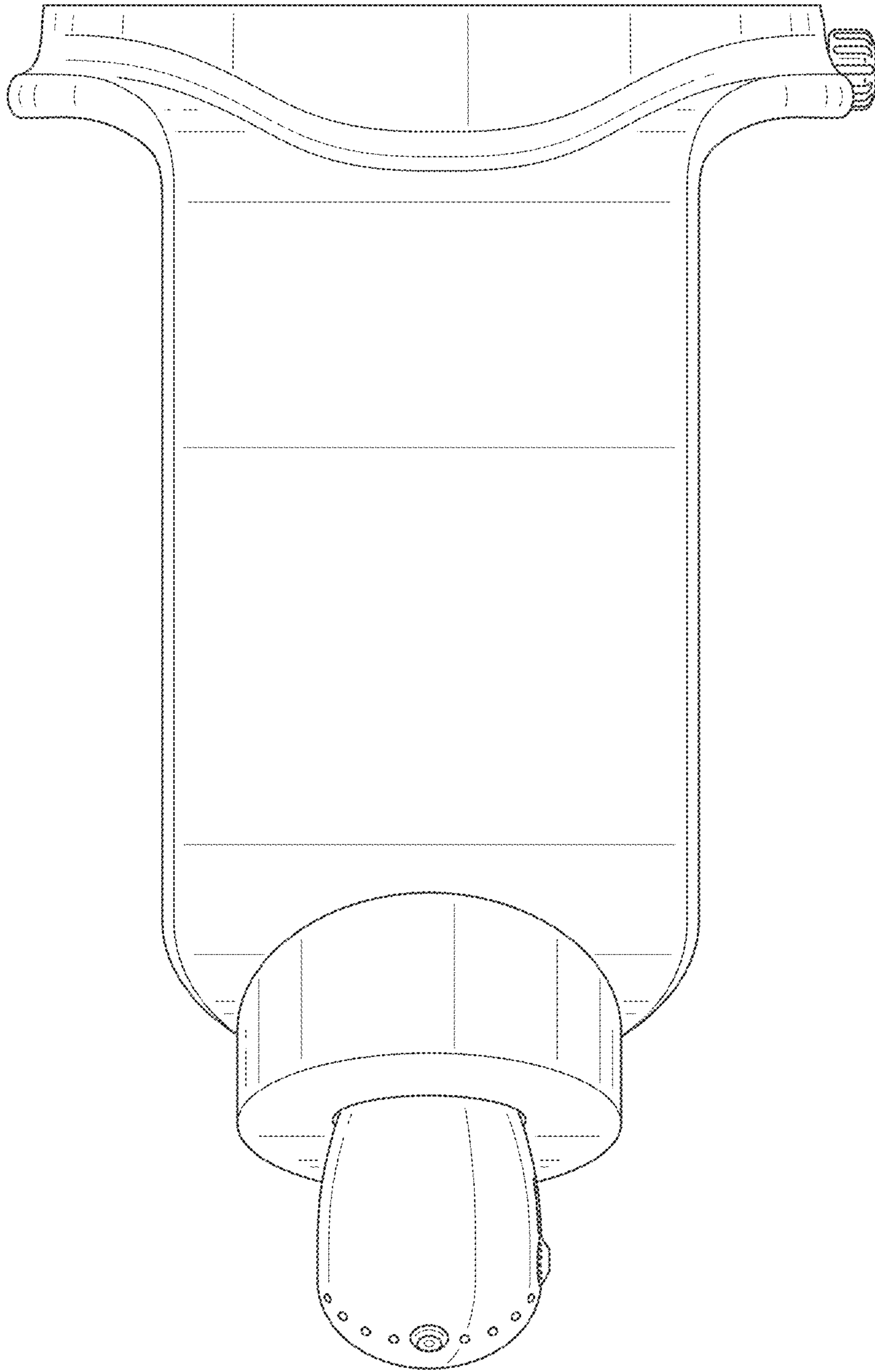


*Fig. 14*



*Fig. 15*





*Fig. 16*