



US00D835596S

(12) **United States Design Patent** (10) **Patent No.:** **US D835,596 S**  
**Cho et al.** (45) **Date of Patent:** **\*\* Dec. 11, 2018**

(54) **MOBILE PHONE**  
(71) Applicant: **LG ELECTRONICS INC.**, Seoul (KR)  
(72) Inventors: **Minsu Cho**, Seoul (KR); **Boyoung Lee**, Seoul (KR)  
(73) Assignee: **LG ELECTRONICS INC.**, Seoul (KR)  
(\*\*) Term: **15 Years**  
(21) Appl. No.: **29/556,282**  
(22) Filed: **Feb. 29, 2016**

(30) **Foreign Application Priority Data**  
Aug. 31, 2015 (KR) ..... 30-2015-0043899  
(51) **LOC (11) Cl.** ..... **14-03**  
(52) **U.S. Cl.**  
USPC ..... **D14/138 AD**  
(58) **Field of Classification Search**  
USPC ..... D14/138 AA, 138 AB, 138 AD, 138 AC,  
D14/138 C, 138 G, 138 R, 248, 250, 253,  
(Continued)

(56) **References Cited**  
**U.S. PATENT DOCUMENTS**  
4,326,727 A \* 4/1982 Rock ..... B62D 25/18  
248/316.7  
D342,611 S \* 12/1993 Andrews ..... D6/311  
(Continued)

**FOREIGN PATENT DOCUMENTS**  
EP 0987784 A2 \* 3/2000 ..... H01M 10/46  
JP 63117472 A \* 11/1986 ..... H01L 31/04  
WO WO 2016064240 \* 4/2016 ..... G06F 1/16

**OTHER PUBLICATIONS**  
Simpson, M., A futuristic look into Playstation game play, Oct. 22, 2008, Phys.org, [online], Retrieved Jan. 17, 2017 from <URL:https://phys.org/news/2008-10-futuristic-playstation-game.html>.\*  
(Continued)

*Primary Examiner* — Sheryl Lane  
*Assistant Examiner* — Calvin E Vansant  
(74) *Attorney, Agent, or Firm* — Birch, Stewart, Kolasch & Birch, LLP

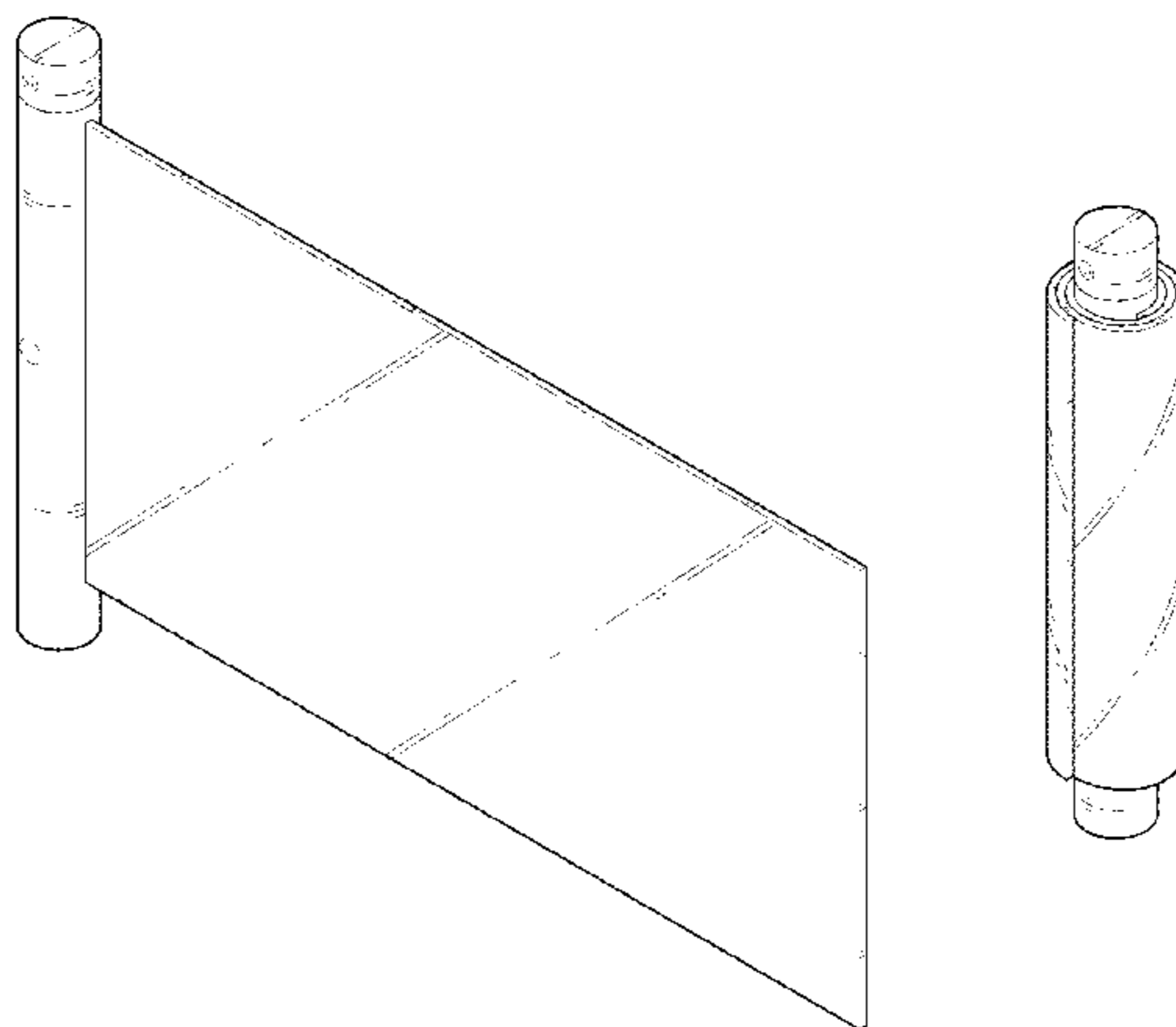
(57) **CLAIM**

The ornamental design for a mobile phone, as shown and described.

**DESCRIPTION**

FIG. 1 is a front perspective view of a mobile phone showing our new design in which the display part has been unrolled; FIG. 2 is a front view thereof; FIG. 3 is a rear view thereof; FIG. 4 is a left side view thereof; FIG. 5 is a right side view thereof; FIG. 6 is a top plan view thereof where the bottom plan view is a mirror image; FIG. 7 is a rear perspective view thereof; FIG. 8 is a front perspective view thereof in which a portion of the display part has been rolled along the outside of the left main body; FIG. 9 is a front view of FIG. 8; FIG. 10 is a rear view of FIG. 8; FIG. 11 is a left side view of FIG. 8; FIG. 12 is a right side view of FIG. 8; FIG. 13 is a top plan view of FIG. 8 where the bottom plan view is a mirror image; FIG. 14 is a rear perspective view of FIG. 8; FIG. 15 is a front perspective view thereof in which the display part has been completely rolled along the outside of the left main body; FIG. 16 is a front view of FIG. 15; FIG. 17 is a rear view of FIG. 15; FIG. 18 is a left side view of FIG. 15; FIG. 19 is a right side view of FIG. 15; FIG. 20 is a top plan view of FIG. 15 where the bottom plan view is a mirror image; and, FIG. 21 is a rear perspective view of FIG. 15.

**1 Claim, 21 Drawing Sheets**



(58) **Field of Classification Search**  
 USPC ..... D14/341, 440; D3/215, 218, 269;  
 D21/324, 329, 330, 332  
 CPC . E06B 2009/405; G09F 13/22; B65H 75/364;  
 H04M 1/03; H04B 1/3888; H04N 5/2252  
 See application file for complete search history.

(56) **References Cited**

U.S. PATENT DOCUMENTS

D347,832 S \* 6/1994 Kaye ..... D14/389  
 6,498,597 B1 \* 12/2002 Sawano ..... G09F 11/29  
 345/107  
 D518,109 S \* 3/2006 Opolka ..... D20/42  
 7,463,238 B2 \* 12/2008 Funkhouser ..... G06F 1/1601  
 345/107  
 7,830,333 B2 \* 11/2010 Aoki ..... G06F 1/1601  
 345/1.3  
 D633,147 S \* 2/2011 Parshad ..... D19/86  
 D641,750 S \* 7/2011 Hu ..... D14/341  
 8,502,788 B2 \* 8/2013 Cho ..... G06F 1/1626  
 345/173  
 D691,132 S \* 10/2013 Sharma ..... D14/341  
 D706,261 S \* 6/2014 Sharma ..... D14/341  
 9,063,269 B1 \* 6/2015 Montelongo ..... G02B 27/02  
 D735,709 S \* 8/2015 Daniel ..... D14/341  
 9,098,241 B1 \* 8/2015 Cho ..... H05K 1/028  
 9,111,470 B2 \* 8/2015 Anderson ..... G09F 9/301  
 9,189,028 B2 \* 11/2015 Nakhimov ..... G06F 1/1652  
 D744,998 S \* 12/2015 Ahn ..... D14/341  
 9,250,708 B2 \* 2/2016 Natarajan ..... G06F 3/0221  
 2003/0160892 A1 \* 8/2003 Tamura ..... H04N 5/2251  
 348/333.07  
 2005/0105748 A1 \* 5/2005 Bartell ..... H04R 7/04  
 381/306  
 2005/0110702 A1 \* 5/2005 Aoki ..... G06F 1/1601  
 345/30  
 2006/0207142 A1 \* 9/2006 Kochan ..... G09F 11/29  
 40/604

2006/0222442 A1 \* 10/2006 Lin ..... B43K 29/12  
 401/195  
 2008/0086925 A1 \* 4/2008 Yang ..... H04M 1/0268  
 40/610  
 2008/0212271 A1 \* 9/2008 Misawa ..... G02F 1/133305  
 361/679.01  
 2010/0033435 A1 \* 2/2010 Huitema ..... G06F 1/1615  
 345/173  
 2014/0268532 A1 \* 9/2014 Nicol ..... G09F 15/0062  
 361/679.26  
 2014/0362512 A1 \* 12/2014 Hinson ..... G06F 15/025  
 361/679.21  
 2015/0047796 A1 \* 2/2015 Peng ..... E06B 9/42  
 160/323.1  
 2015/0220119 A1 \* 8/2015 Seo ..... G06F 3/041  
 345/173  
 2016/0034000 A1 \* 2/2016 Lee ..... G06F 1/1652  
 361/749  
 2016/0079329 A1 \* 3/2016 Lee ..... G06F 1/1643  
 257/40  
 2016/0205791 A1 \* 7/2016 Kim ..... G06F 1/1652  
 361/679.01  
 2016/0299531 A1 \* 10/2016 Vertegaal ..... G06F 1/1666  
 2016/0349971 A1 \* 12/2016 Chi ..... G09G 5/373  
 2016/0370877 A1 \* 12/2016 Seo ..... G06F 1/1652

OTHER PUBLICATIONS

Lee, T., iRoll concept phone aims to be a space saver, Ubergizmo.com, Jul. 5, 2011, ubergizmo.com, [online], Retrived Jan. 17, 2017 from <URL: <http://www.ubergizmo.com/2011/07/i-roll-concept-phone-aims-to-be-a-space-saver/>>.\*  
 TeachEngineering.org, Hands-on activity: we have lift-off, copyright date 2015, [online], Retrieved Jan. 17, 2017 from <URL:[https://www.teachengineering.org/activities/view/uoh\\_liftoff\\_lesson01\\_activity1](https://www.teachengineering.org/activities/view/uoh_liftoff_lesson01_activity1)>.\*

\* cited by examiner

FIG. 1

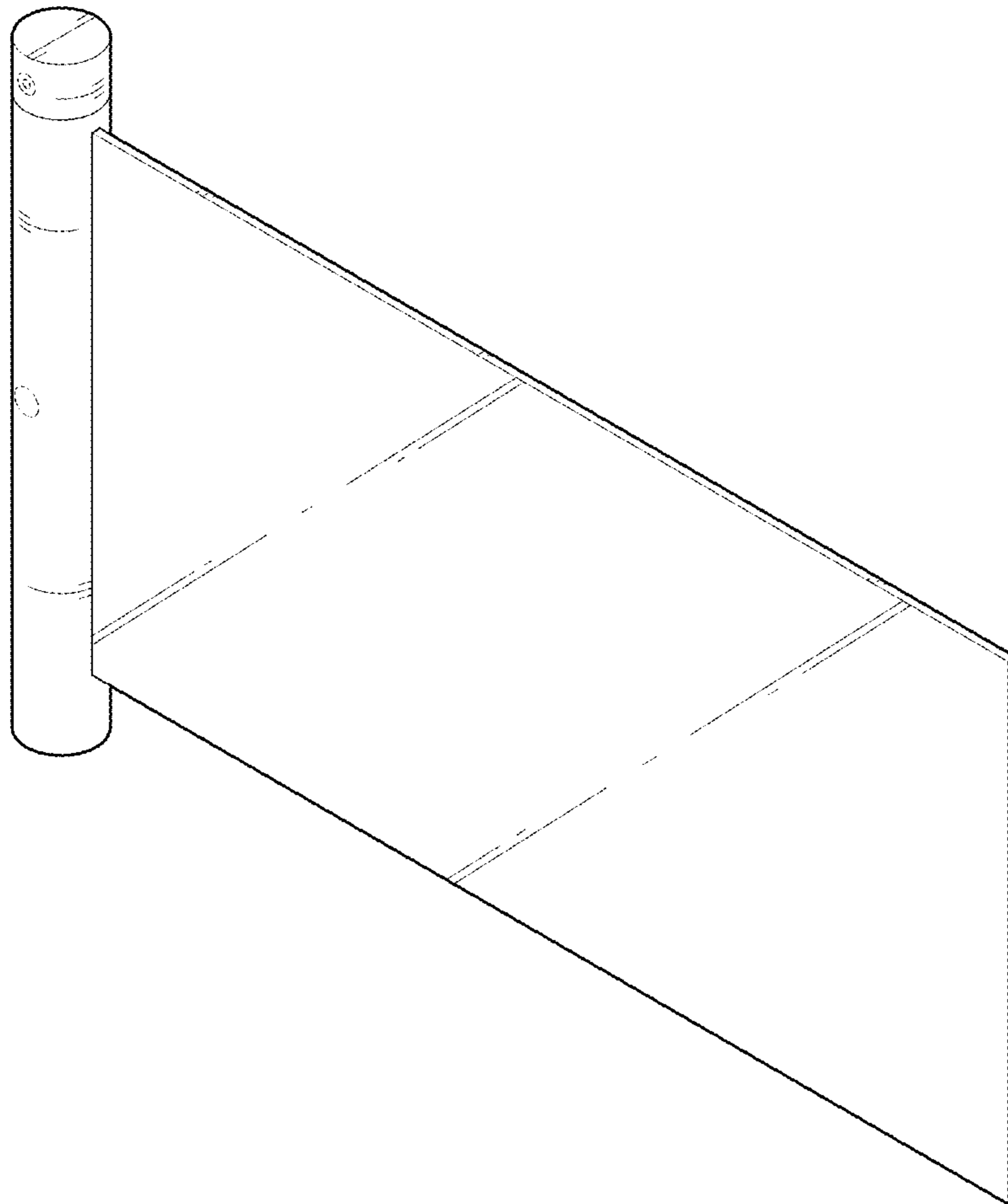


FIG. 2

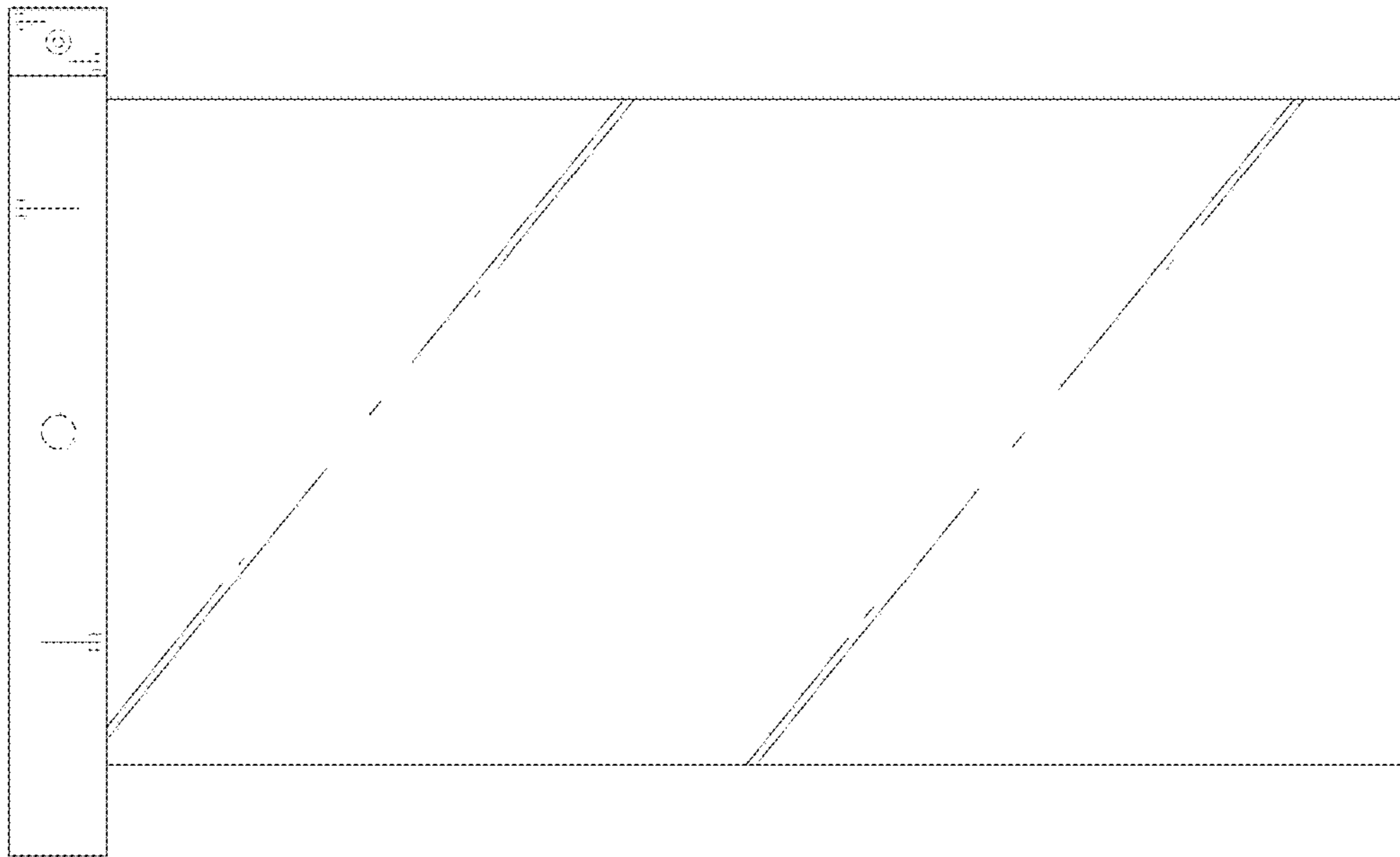


FIG. 3

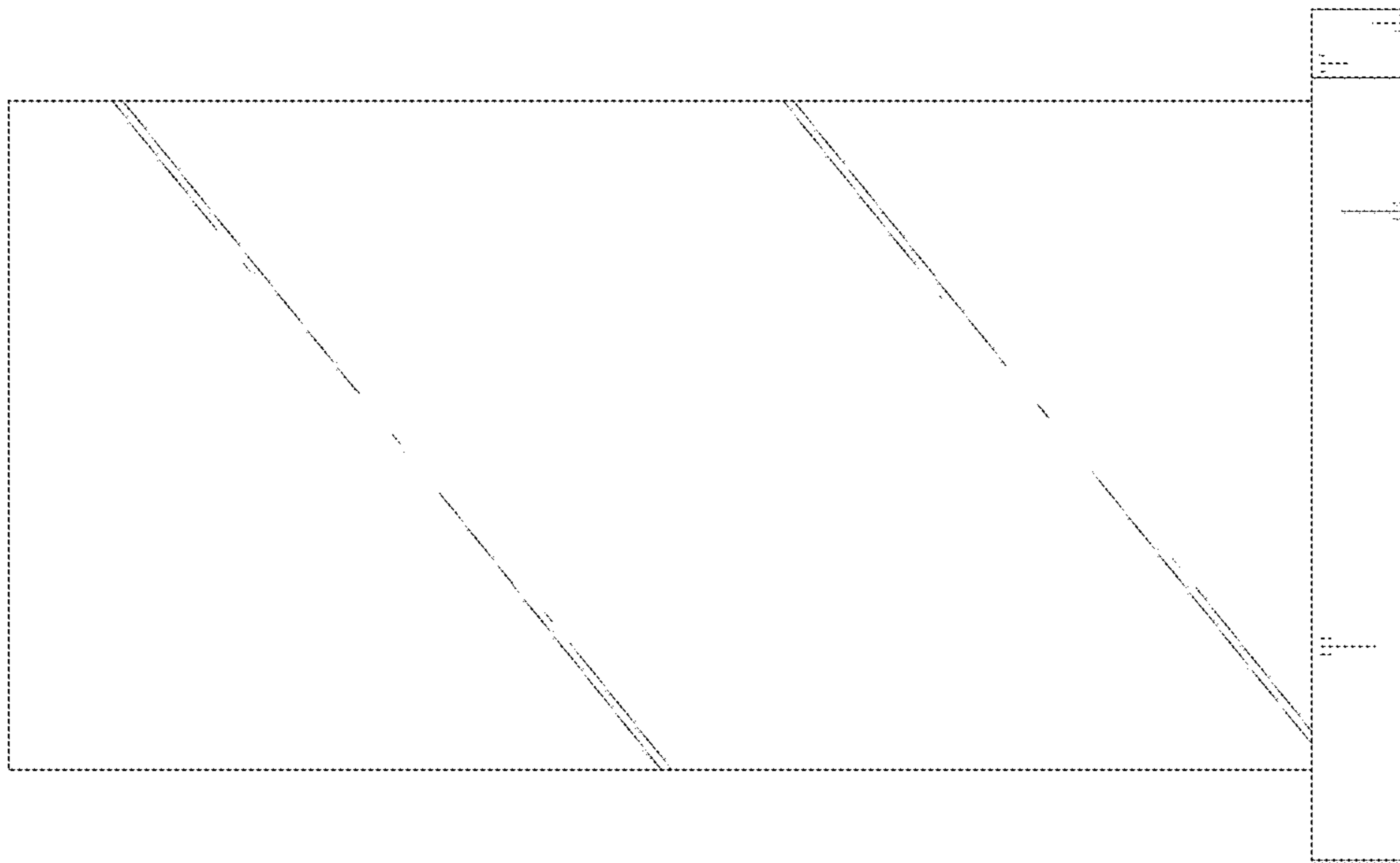


FIG. 4

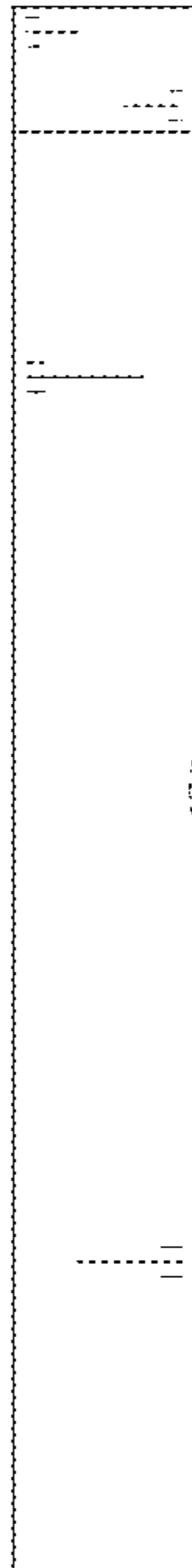


FIG. 5

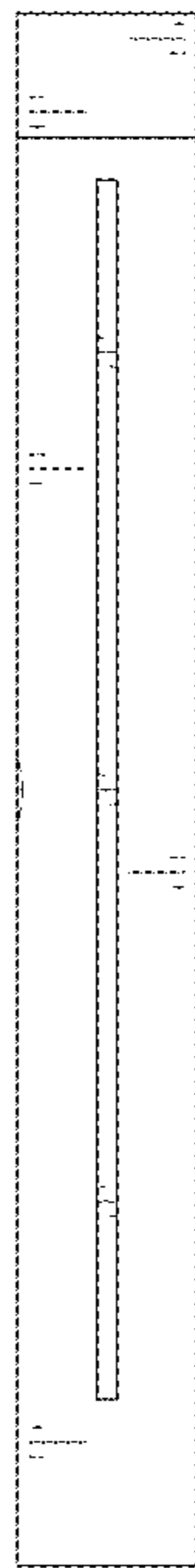


FIG. 6

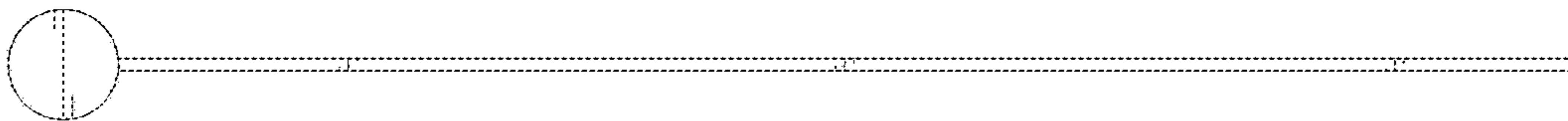




FIG. 7

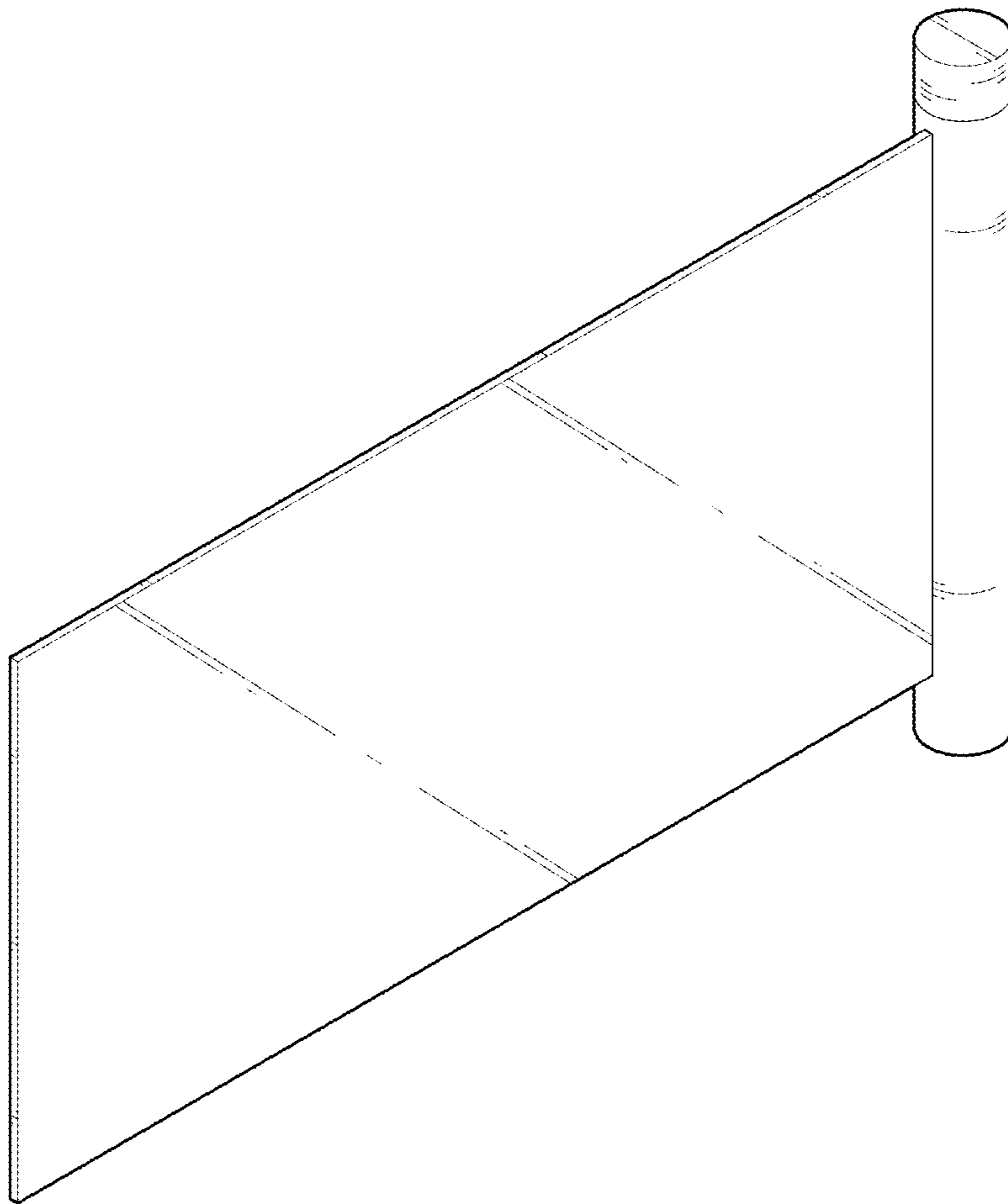


FIG. 8

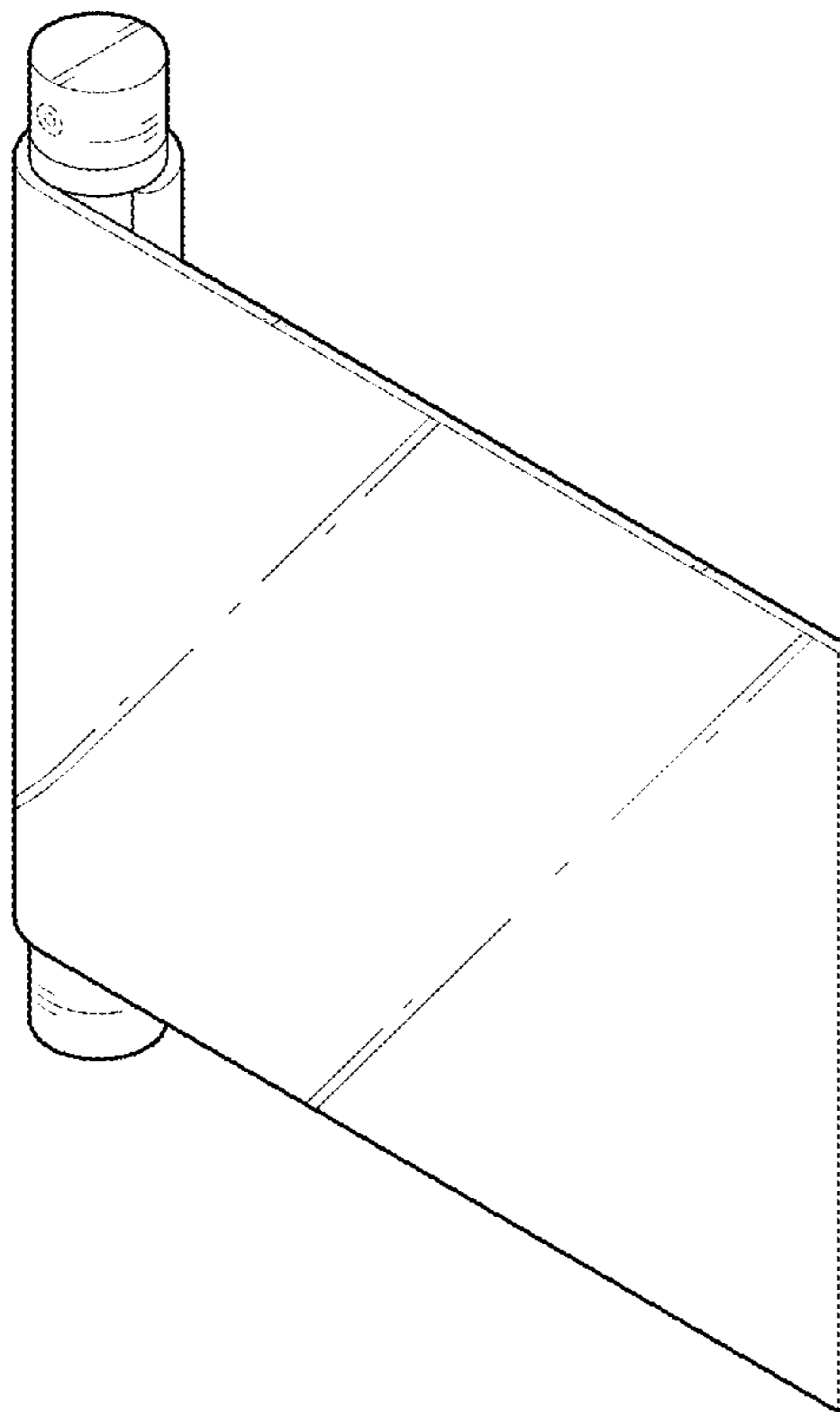


FIG. 9

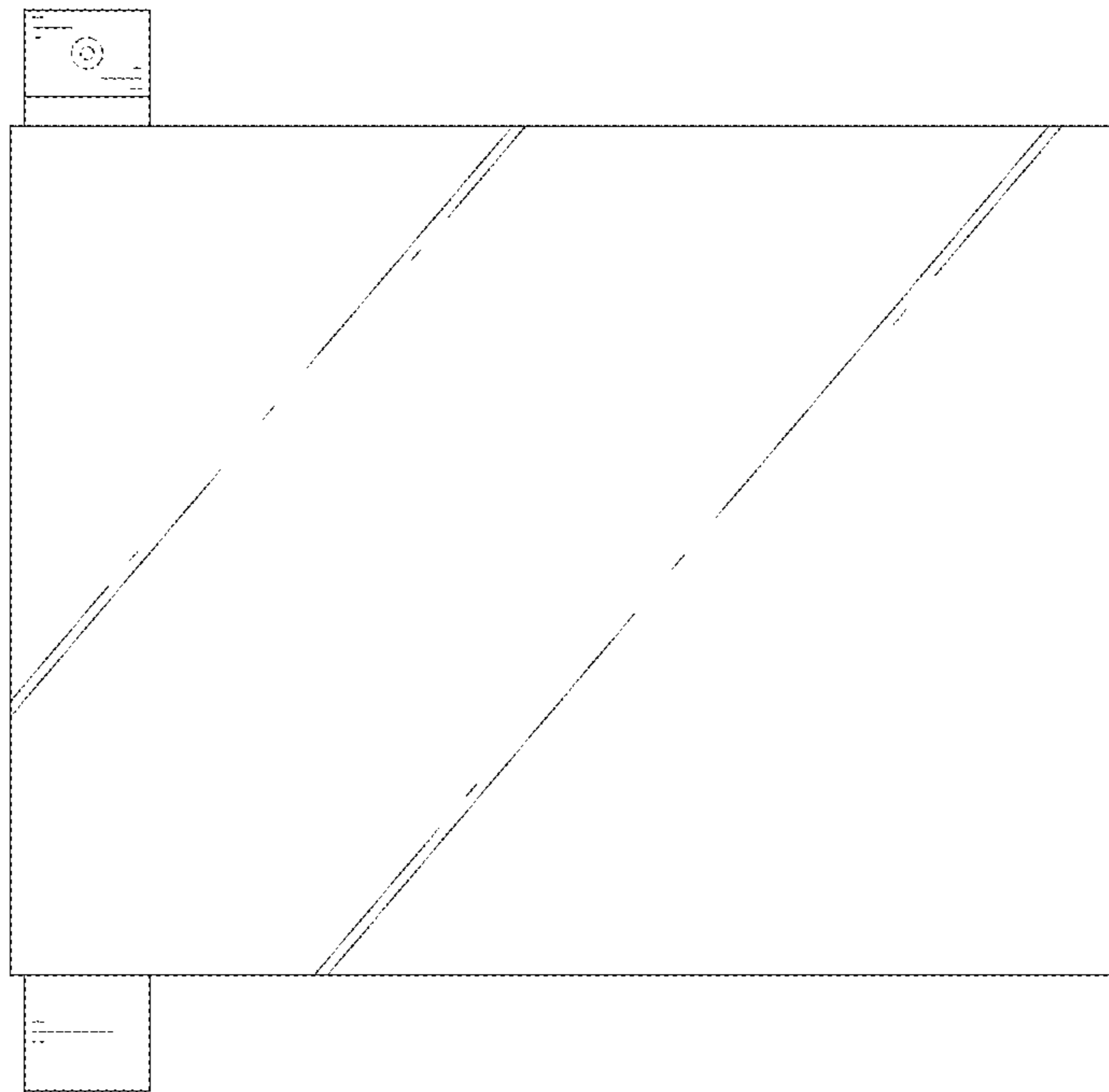


FIG. 10

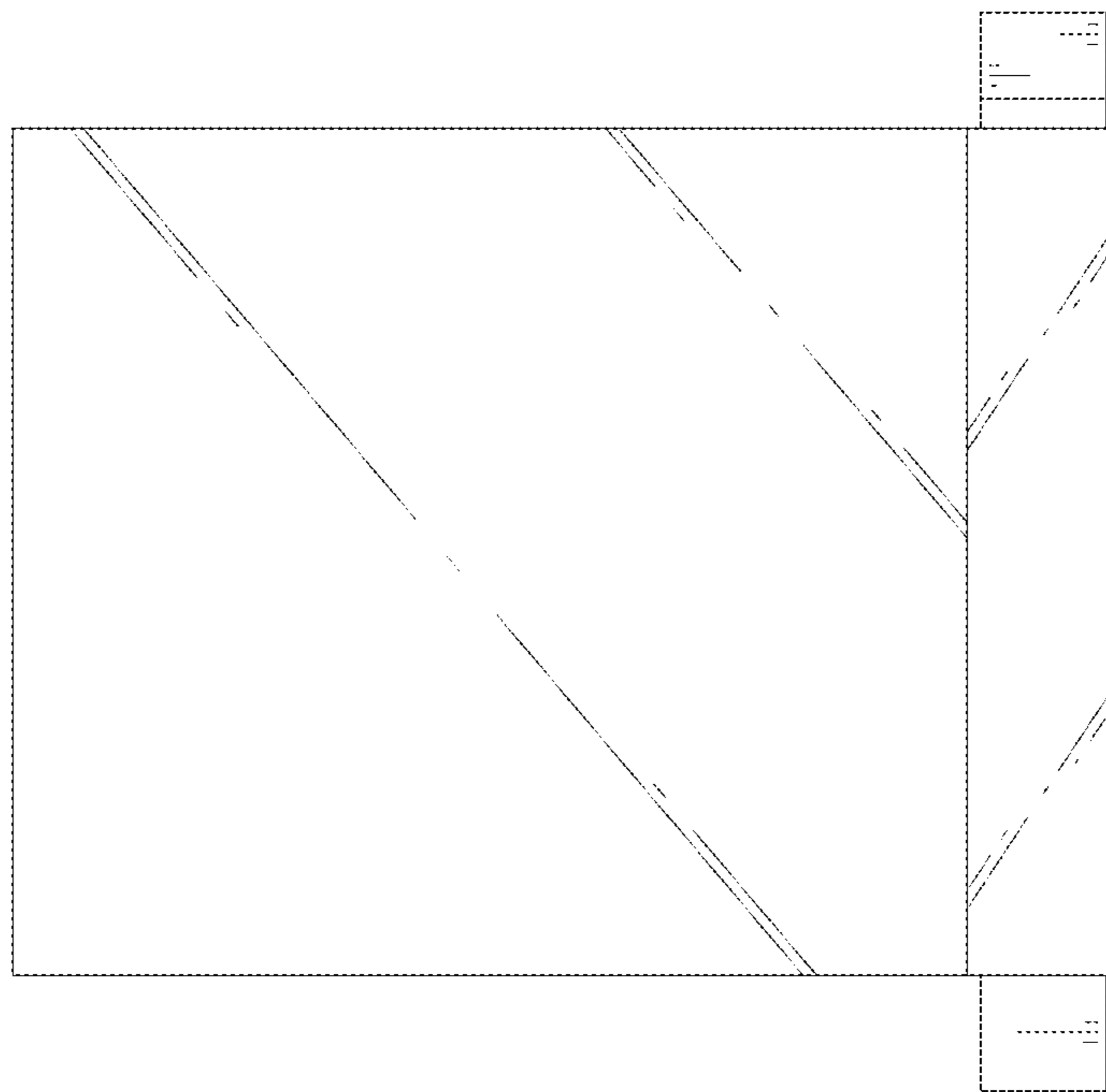


FIG. 11

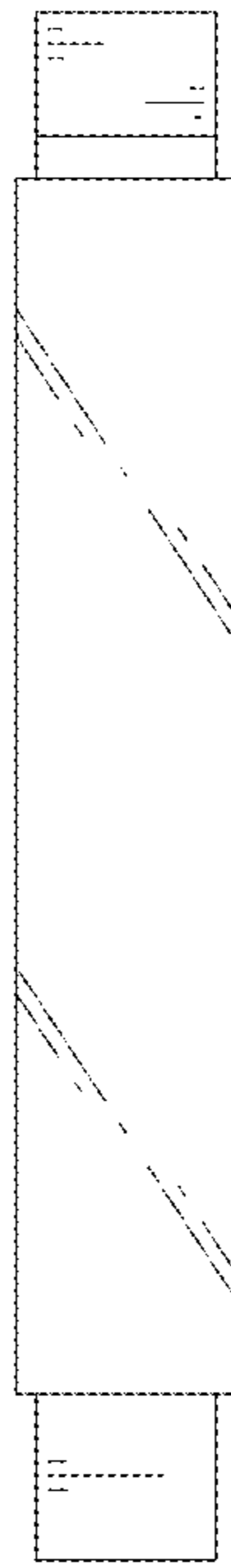


FIG. 12

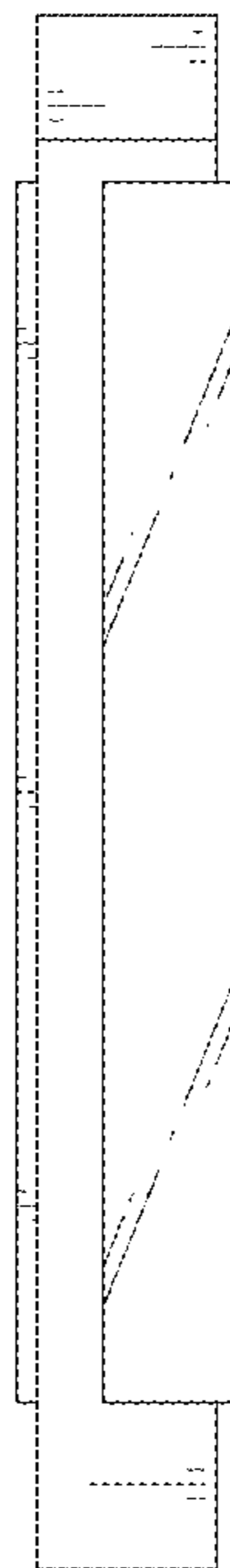


FIG. 13

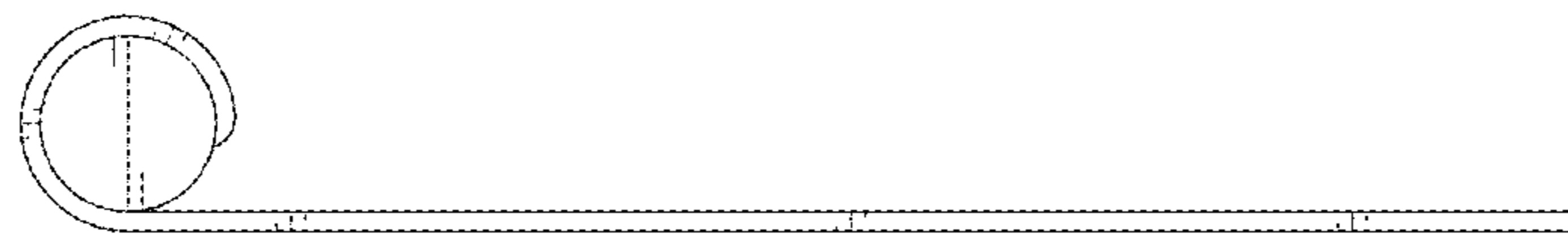


FIG. 14

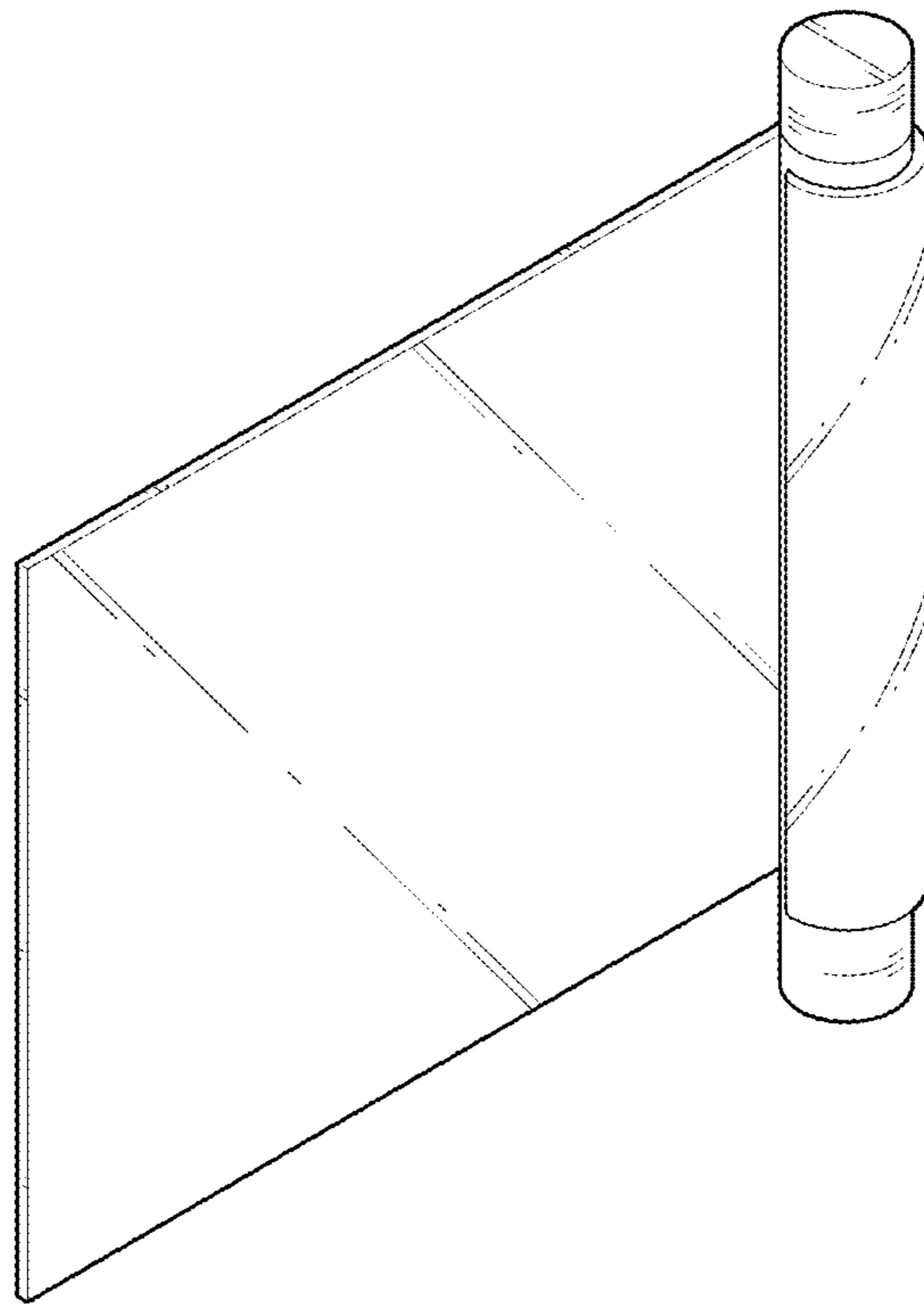




FIG. 15



FIG. 16

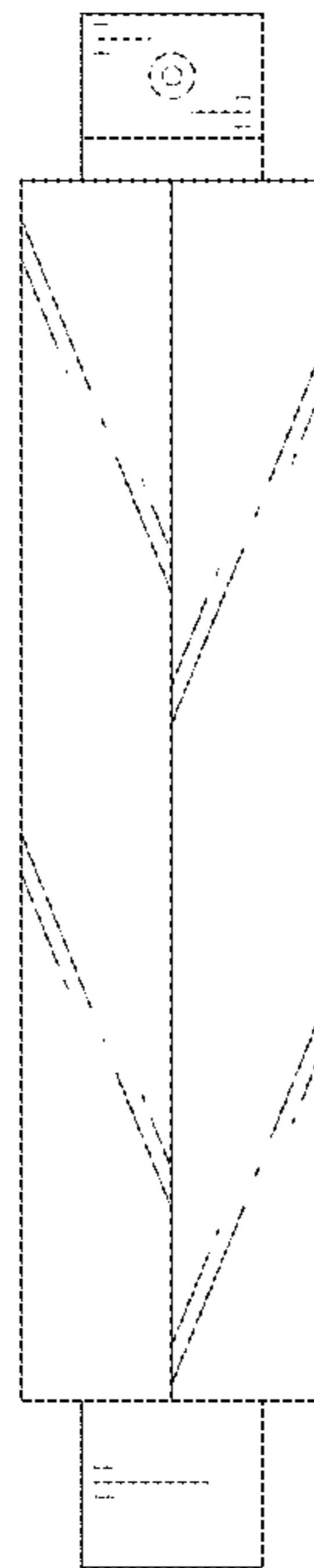


FIG. 17

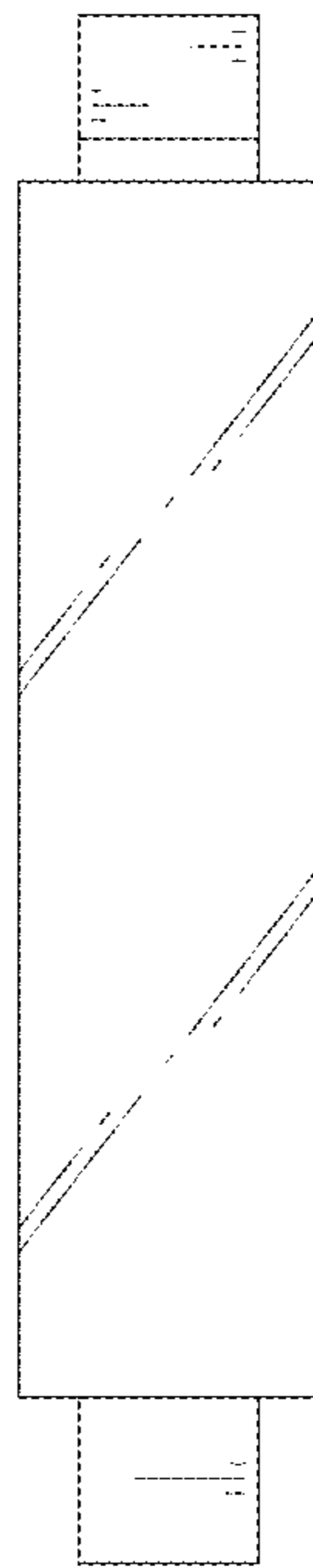


FIG. 18

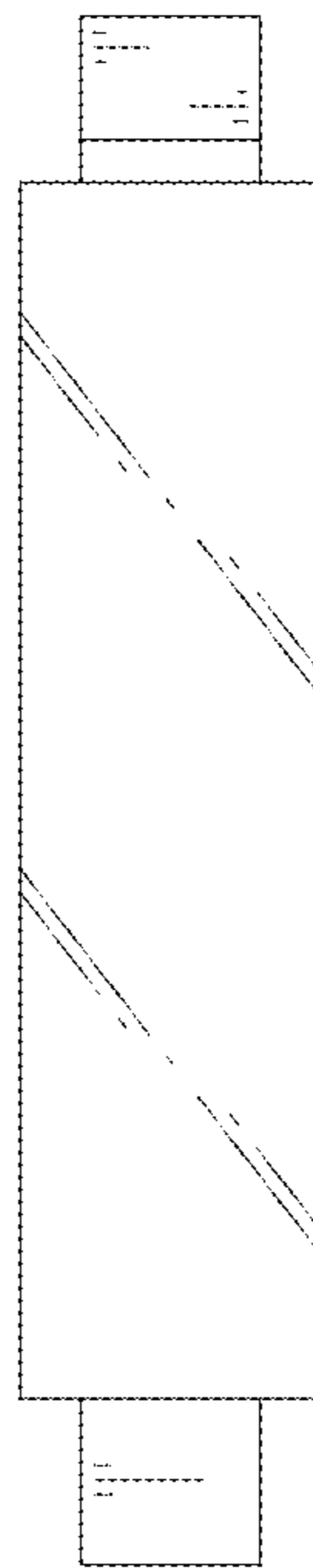


FIG. 19

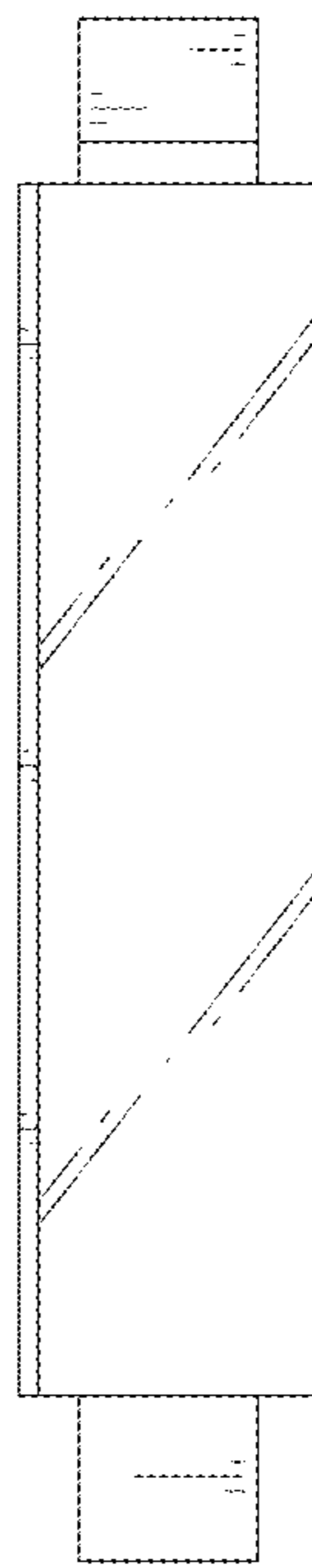


FIG. 20

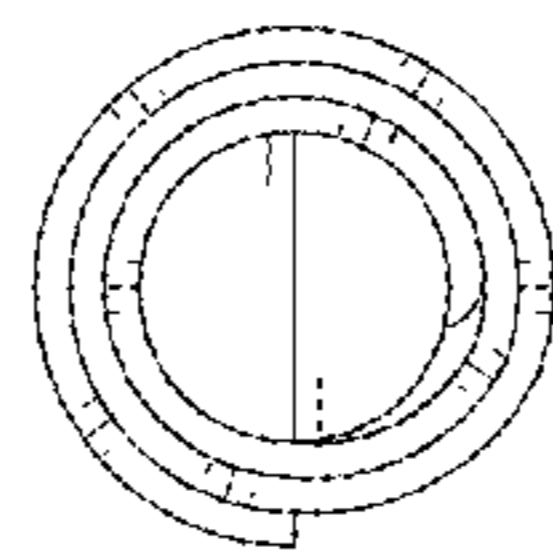


FIG. 21

