



US00D835591S

(12) **United States Design Patent** (10) **Patent No.:** **US D835,591 S**
Shim et al. (45) **Date of Patent:** **** Dec. 11, 2018**

(54) **MOTOR SENSOR HOUSING**
(71) Applicant: **W.W. Grainger, Inc.**, Lake Forest, IL (US)
(72) Inventors: **Jerry Shim**, Park Ridge, IL (US); **Ghikhan Blossfeld-Lau**, Lake Forest, IL (US); **Yang Xu**, Lake Forest, IL (US)
(73) Assignee: **W.W. Grainger, Inc.**, Lake Forest, IL (US)

D770,679 S * 11/2016 Weigensberg D27/189
D773,114 S * 11/2016 Leidel D27/163
D775,414 S * 12/2016 Ampolini D13/108
D775,762 S * 1/2017 Chen D27/101
D775,978 S * 1/2017 Christianson D10/106.8
D788,603 S * 6/2017 Liu D10/102
D792,409 S * 7/2017 Shim D14/435
D799,746 S * 10/2017 Leidel D27/163
D800,313 S * 10/2017 Chang D24/167
9,875,582 B2 * 1/2018 Bolin G07C 3/04
D810,944 S * 2/2018 Goolkasian D24/167
D811,120 S * 2/2018 Johnson D6/542
D811,244 S * 2/2018 Klein D10/46
D815,346 S * 4/2018 Bagai D27/191

(Continued)

(**) Term: **15 Years**

Primary Examiner — Lakiya G Rogers

(21) Appl. No.: **29/561,859**

Assistant Examiner — Harold E Blackwell, II

(22) Filed: **Apr. 20, 2016**

(74) *Attorney, Agent, or Firm* — Greenberg Traurig, LLP

(51) **LOC (11) Cl.** **13-03**

(57) **CLAIM**

(52) **U.S. Cl.**
USPC **D13/184**

The ornamental design for a motor sensor housing, as shown and described.

(58) **Field of Classification Search**
USPC D13/184; D10/46, 60, 74, 80, 104.1, D10/102; D6/512, 513, 515, 540; D9/414, 432; D27/141, 143, 157
CPC G08B 21/187; G08B 21/182; G05B 15/02; G07C 3/00; G07C 5/0808; G07C 5/085; F16M 13/02; F16B 1/00; F16B 2001/0035

DESCRIPTION

See application file for complete search history.

FIG. 1 is a front perspective view of a motor sensor housing showing our new design, as installed in an example motor; FIG. 2 is a front perspective view thereof; FIG. 3 is a rear perspective view thereof; FIG. 4 is a front side elevational view thereof; FIG. 5 is a rear side elevational view thereof; FIG. 6 is a top plan view thereof; FIG. 7 is a bottom view thereof; FIG. 8 is a right side elevational view thereof; and, FIG. 9 is a left side elevational view thereof.

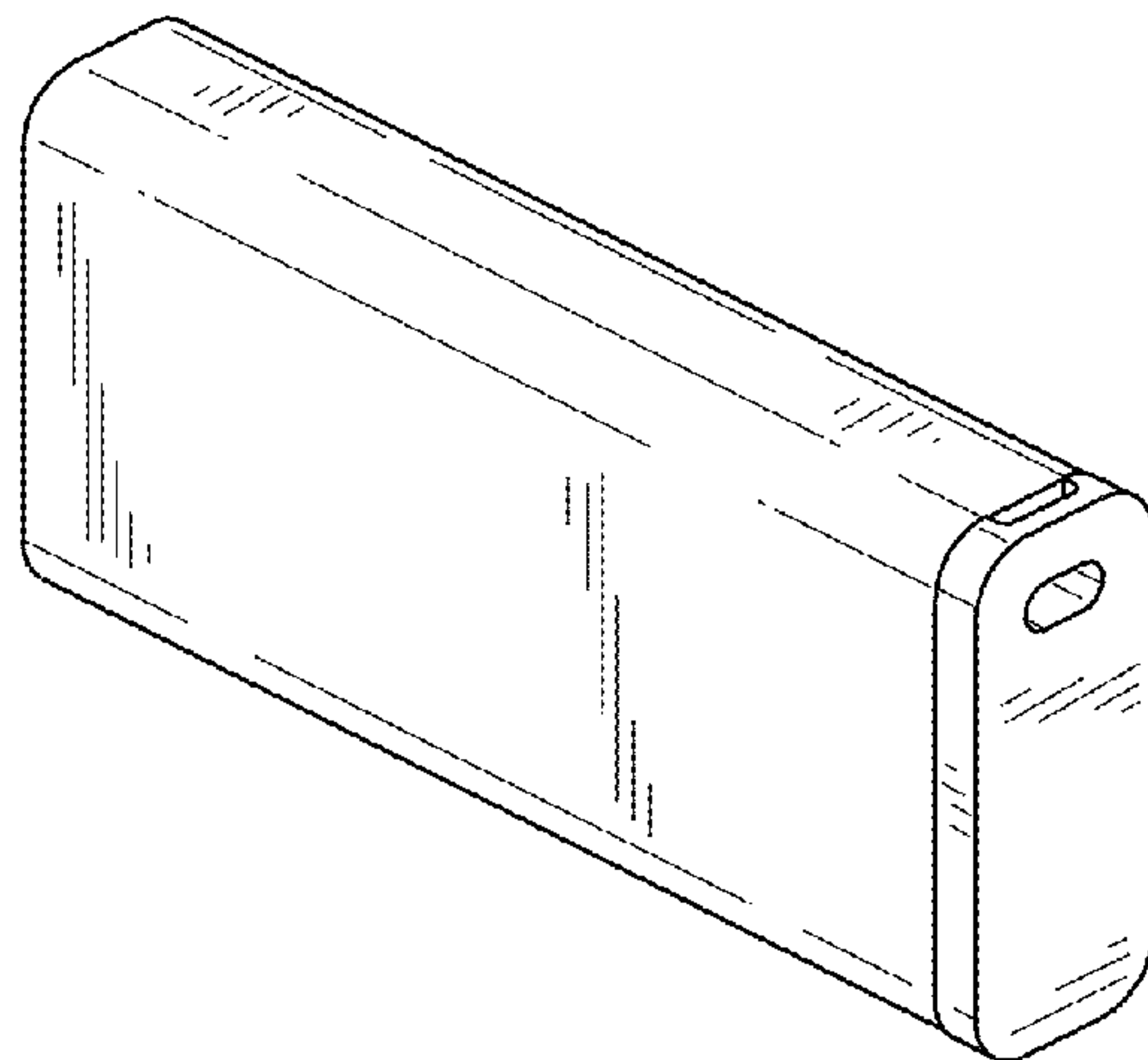
The broken line showing of FIG. 1 is for the purpose of illustrating the motor sensor housing as installed in an example motor and forms no part of the claimed design. The broken lines shown in FIGS. 3 and 5 illustrate portions of the motor sensor housing that form no part of the claimed design.

(56) **References Cited**

U.S. PATENT DOCUMENTS

D448,222 S * 9/2001 Fisscher D6/518
D449,894 S * 10/2001 Novitsky D10/81
D470,142 S * 2/2003 Konig D14/403
D557,624 S * 12/2007 Coster D10/70
D626,770 S * 11/2010 Sloas D6/515
D699,616 S * 2/2014 Ke D10/106.95
D737,505 S * 8/2015 Liu D27/189
D764,957 S * 8/2016 Bhattacharya D10/104.1

1 Claim, 4 Drawing Sheets



(56)

References Cited

U.S. PATENT DOCUMENTS

2010/0045430 A1* 2/2010 Gibson F23Q 2/164
340/5.82
2017/0018165 A1* 1/2017 Klein G08B 21/187
2017/0372116 A1* 12/2017 Gibson F23Q 2/164

* cited by examiner

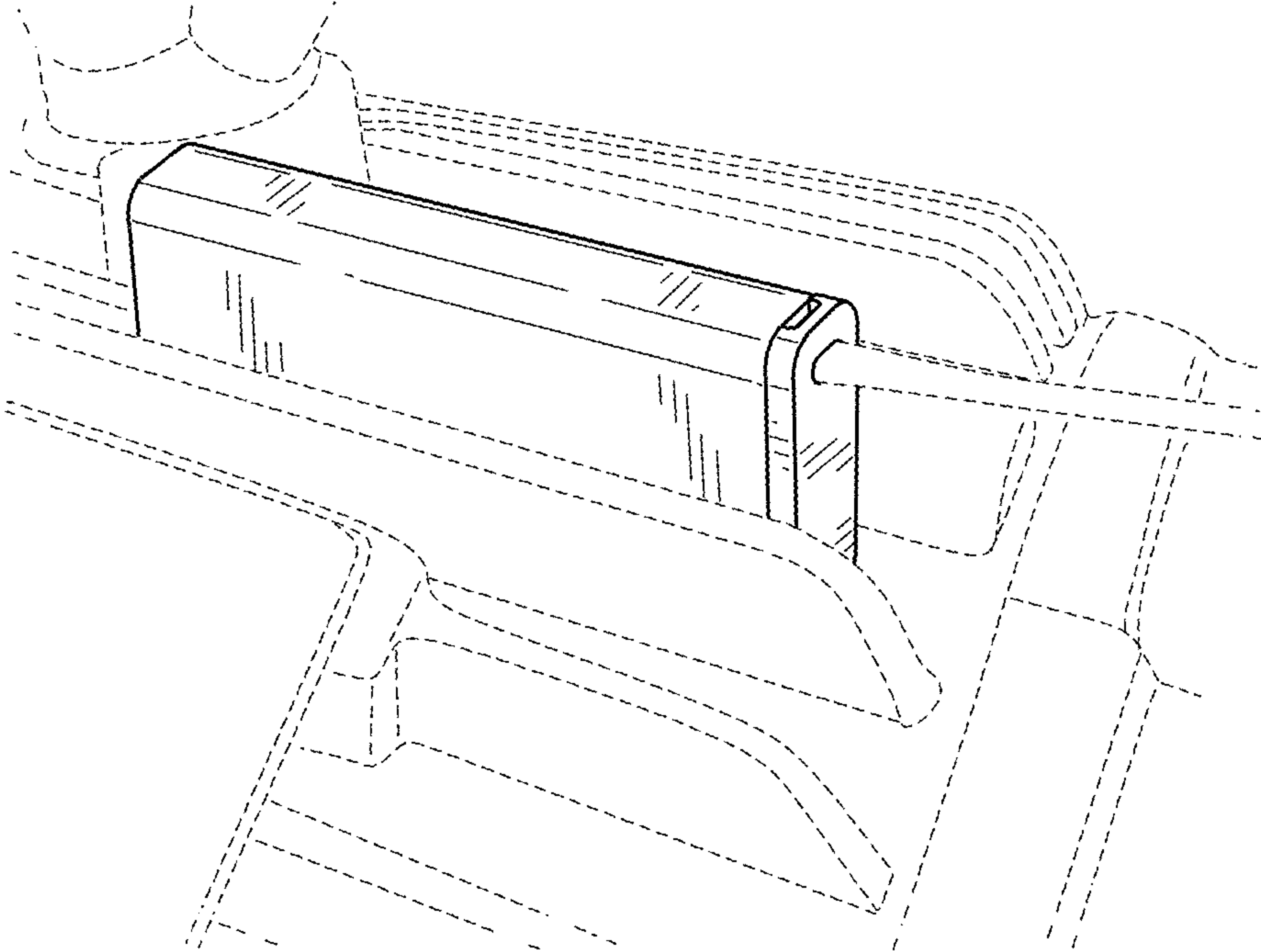


FIG. 1

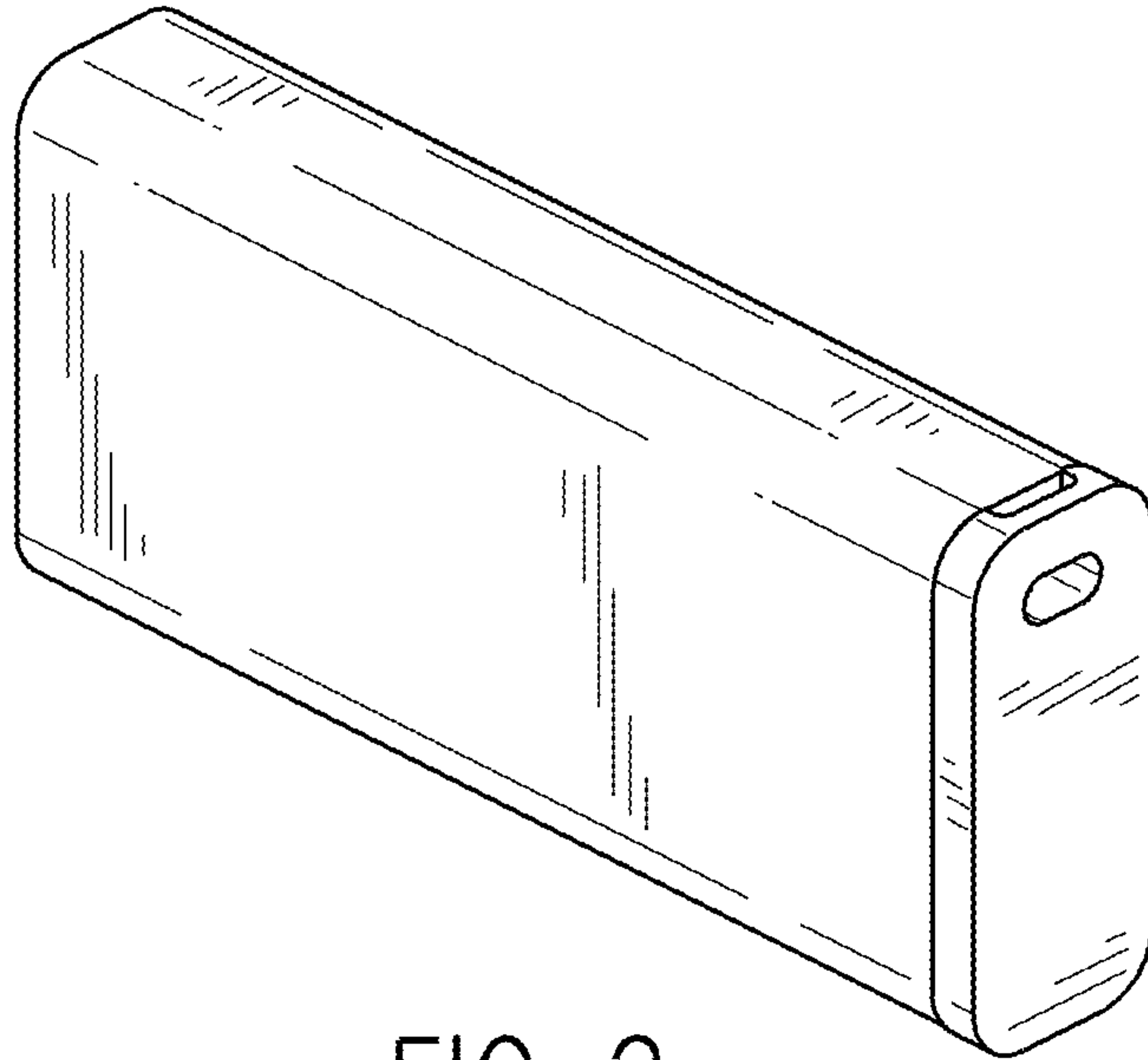


FIG. 2

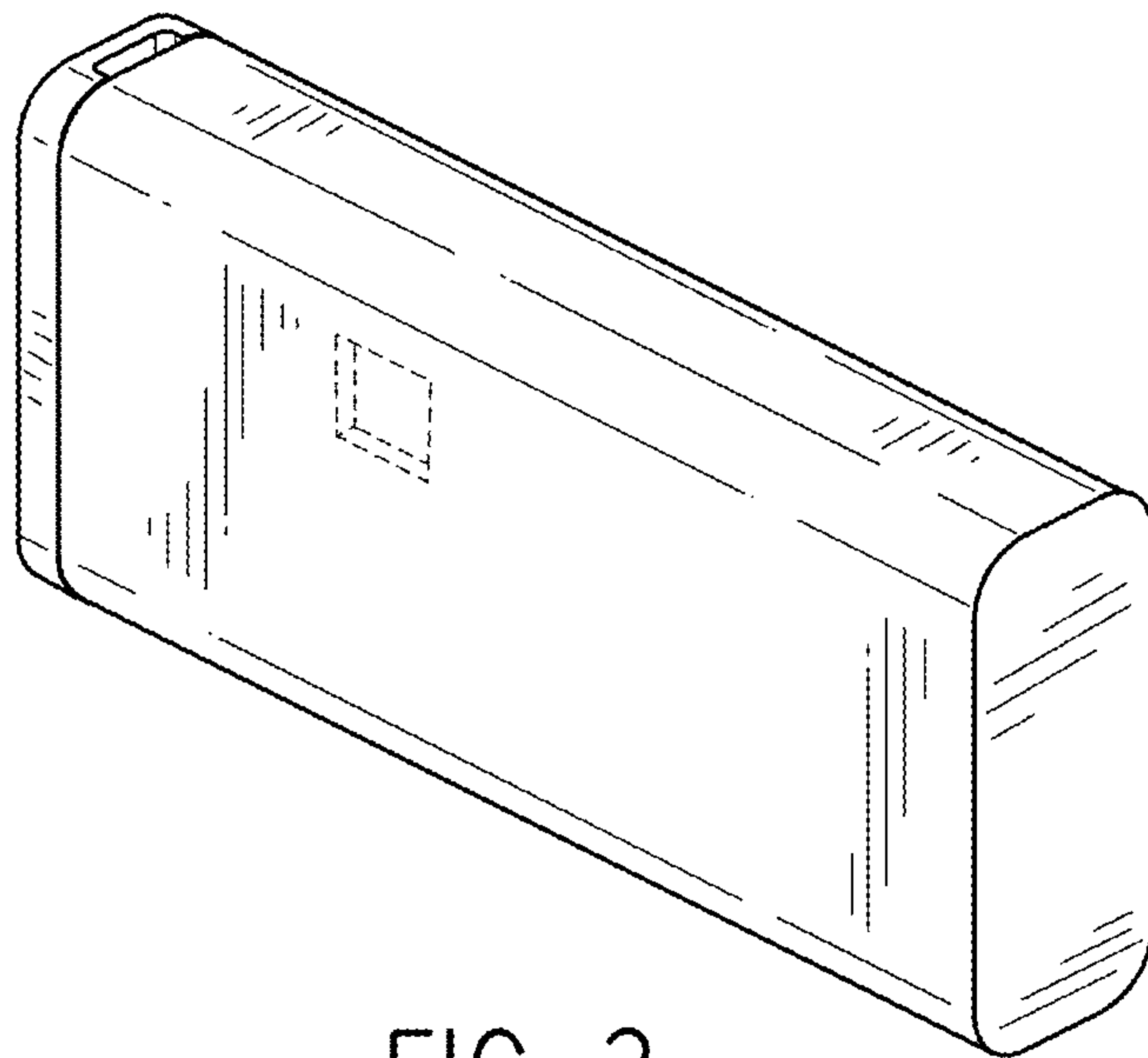


FIG. 3

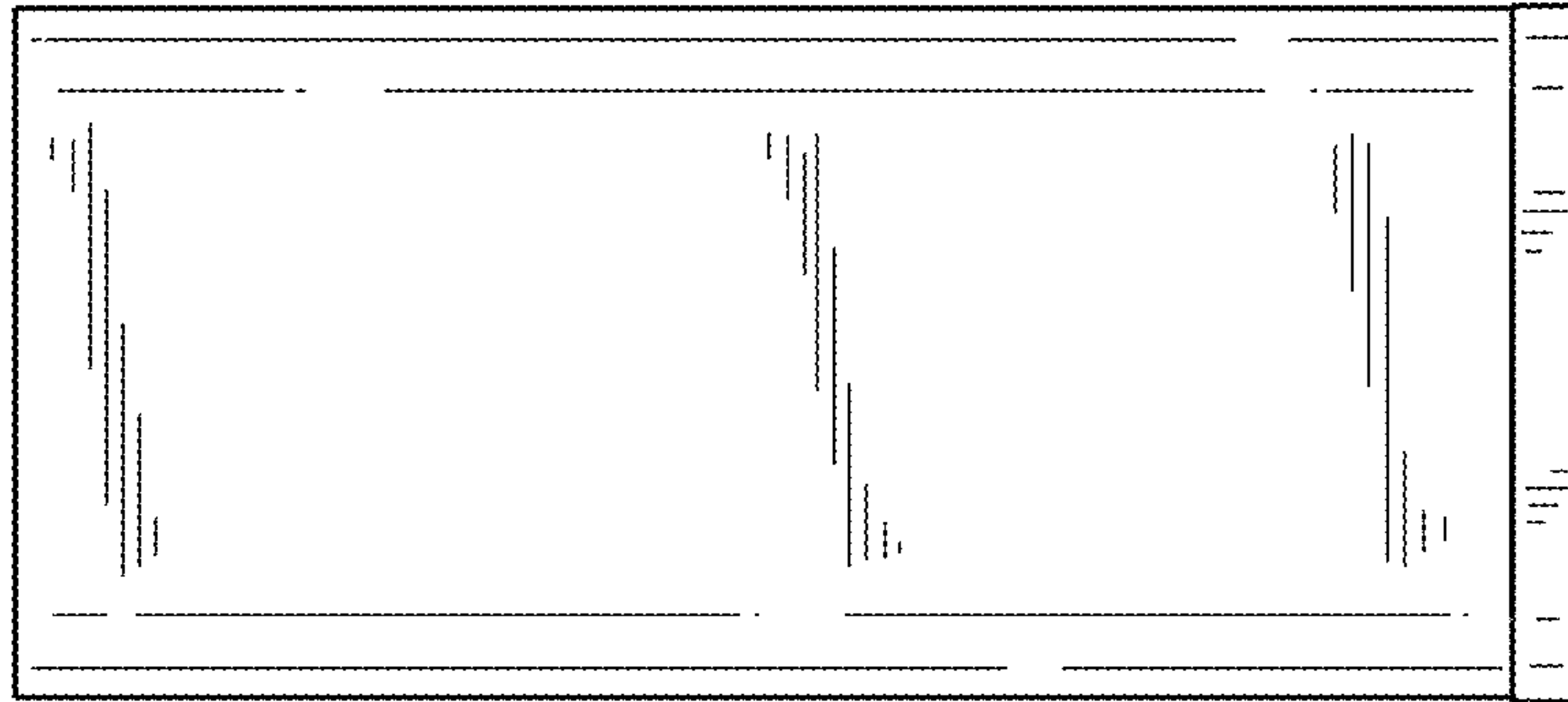


FIG. 4

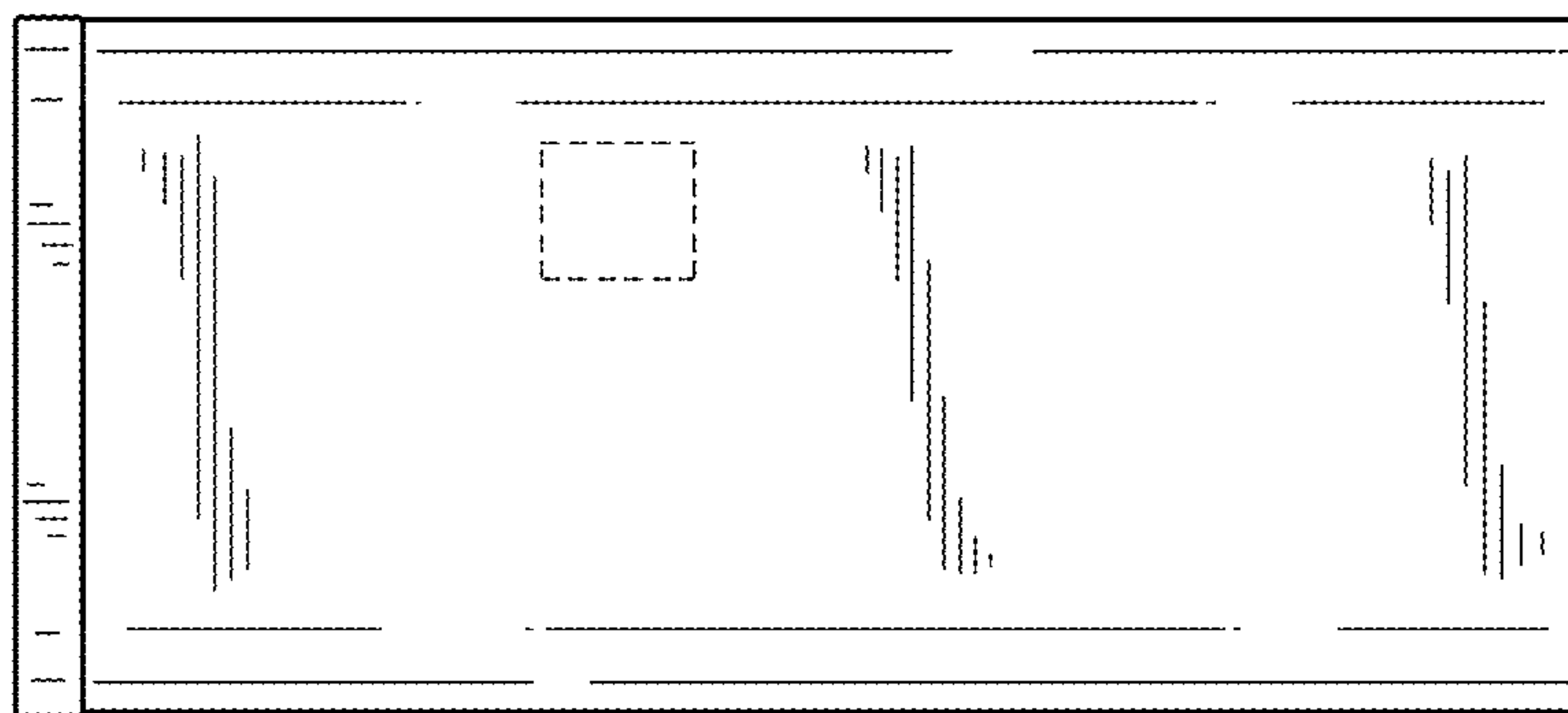


FIG. 5

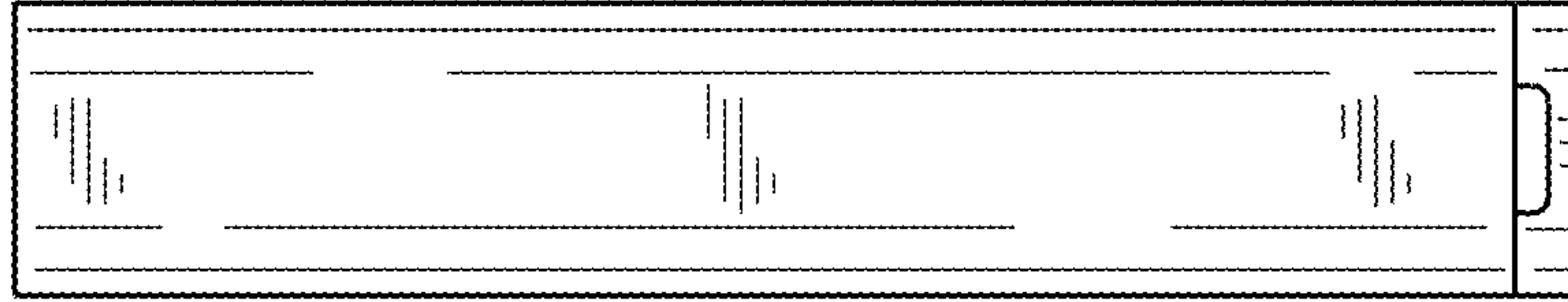


FIG. 6

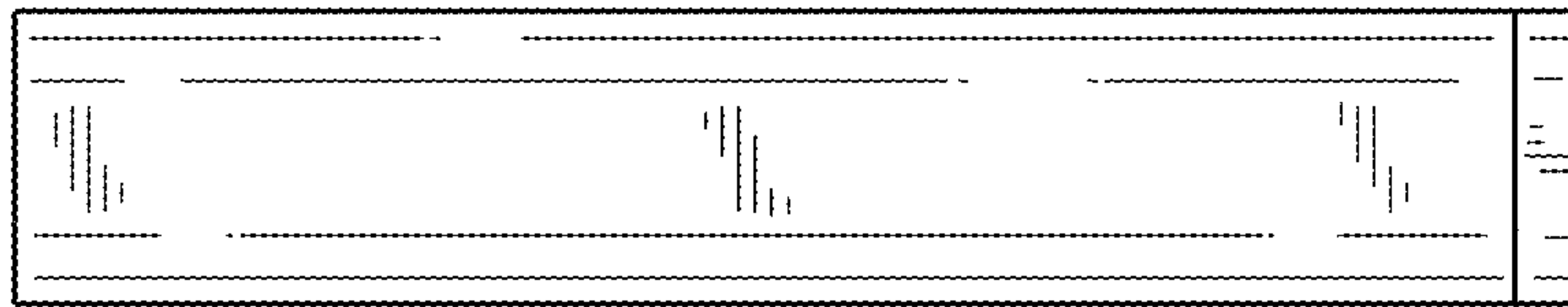


FIG. 7

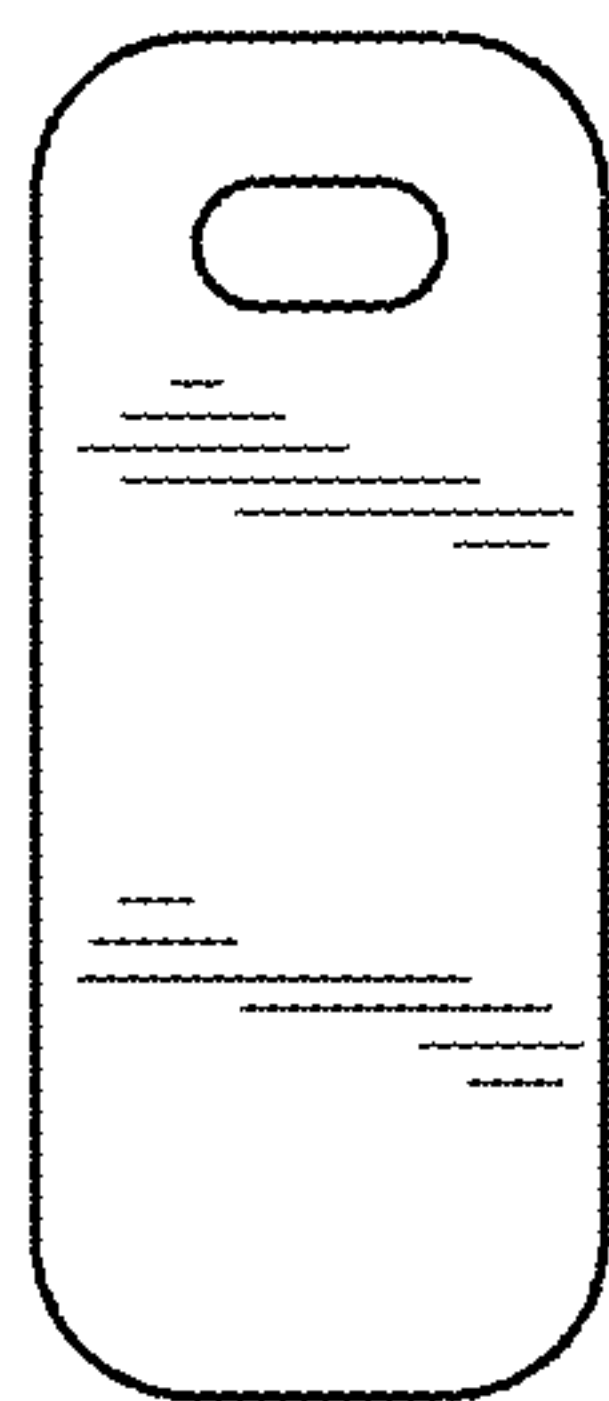


FIG. 8

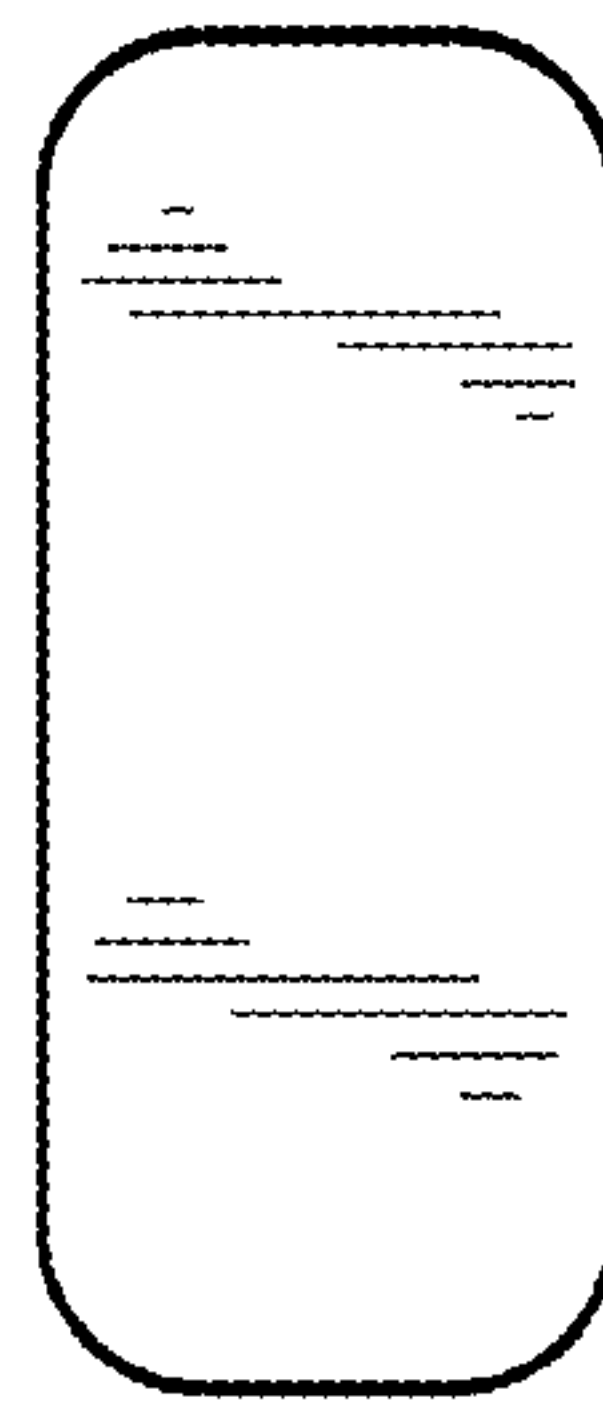


FIG. 9