



US00D835590S

(12) **United States Design Patent** (10) **Patent No.:** **US D835,590 S**
Azar et al. (45) **Date of Patent:** **** Dec. 11, 2018**

(54) **HEAT SINK CLIP** D514,529 S * 2/2006 Yu D13/179
7,009,843 B2 3/2006 Lee et al.
(71) Applicant: **Advanced Thermal Solutions, Inc.**, D555,109 S * 11/2007 Lee D13/179
Norwood, MA (US) (Continued)

(72) Inventors: **Kaveh Azar**, Quincy, MA (US); **Vineet Sunil Barot**, Allston, MA (US); **Anatoly Pikovsky**, Sharon, MA (US)
(73) Assignee: **Advanced Thermal Solutions, Inc.**, Norwood, MA (US)

(**) Term: **15 Years**

(21) Appl. No.: **29/654,808**

(22) Filed: **Jun. 27, 2018**

(51) **LOC (11) Cl.** **13-03**

(52) **U.S. Cl.**
USPC **D13/179**

(58) **Field of Classification Search**
USPC D13/179, 199
CPC H01L 23/4093; H01L 2023/4043; H01L 23/3672; H01L 23/3677
See application file for complete search history.

(56) **References Cited**

U.S. PATENT DOCUMENTS

5,329,426	A	7/1994	Villani	
D376,349	S	12/1996	Campanella et al.	
5,581,442	A	12/1996	Morosas	
5,699,229	A	12/1997	Brownell	
5,804,875	A	9/1998	Remsburg et al.	
5,881,800	A	3/1999	Chung	
6,153,932	A *	11/2000	Liang	H01L 23/3672 257/712
6,188,131	B1	2/2001	Nereng	
6,239,974	B1	5/2001	Tseng	
6,396,695	B1	5/2002	Lee et al.	
D496,006	S	9/2004	Tsai et al.	
6,856,511	B1	2/2005	Viemes et al.	
6,952,348	B2	10/2005	Wu	
6,992,889	B1	1/2006	Kashiwagi et al.	

OTHER PUBLICATIONS

Digi-Key, "Advanced Thermal Solutions Inc. ATS-MG170-R0", Accessed Aug. 7, 2018. (<https://www.digikey.com/product-detail/en/ATS-MG170-R0/ATS1912-ND/5017820>).
(Continued)

Primary Examiner — Jennifer Rivard
Assistant Examiner — April Rivas
(74) *Attorney, Agent, or Firm* — Lieberman & Brandsdorfer, LLC

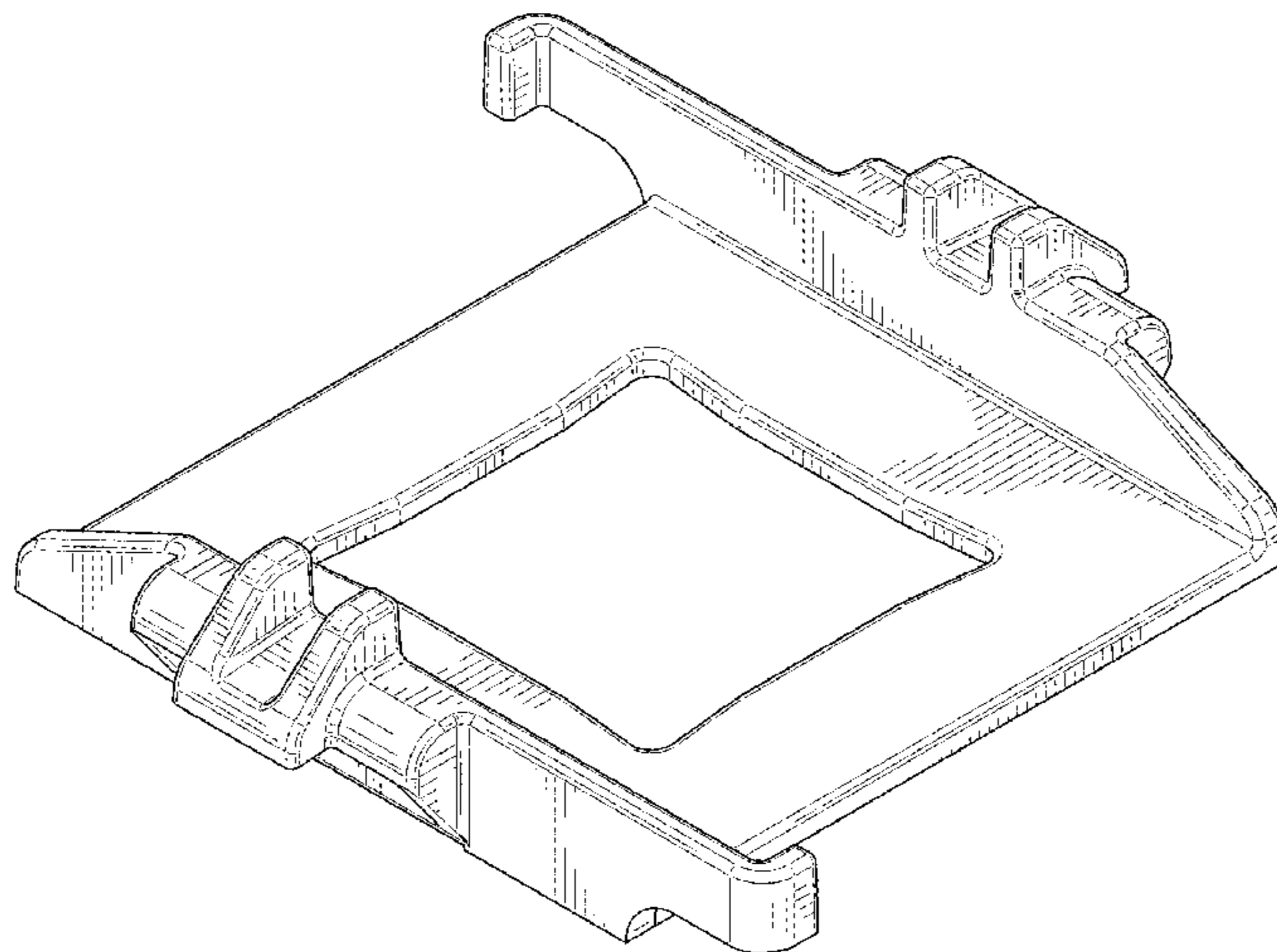
(57) **CLAIM**

The ornamental design for a heat sink clip, as shown and described.

DESCRIPTION

FIG. 1 is a front perspective view of a heat sink clip showing our new design;
FIG. 2 is a front view of the heat sink clip shown in FIG. 1;
FIG. 3 is a back view of FIG. 1;
FIG. 4 is a left side view of FIG. 1;
FIG. 5 is a right side view of FIG. 1;
FIG. 6 is a top plan view of FIG. 1;
FIG. 7 is a bottom plan view of FIG. 1;
FIG. 8 is a perspective view of the heat sink clip, showing environmental mounting exploded around the clip; and,
FIG. 9 is a perspective view of the heat sink clip, wherein the clip is shown assembled within the environmental mounting. The broken lines illustrate environment and form no part of the claimed design.

1 Claim, 9 Drawing Sheets



(56)

References Cited

U.S. PATENT DOCUMENTS

7,307,842 B1 * 12/2007 Liang H01L 23/4093
165/185
7,498,673 B2 3/2009 Awad et al.
7,518,875 B2 * 4/2009 Desrosiers G01R 1/0458
165/185
7,564,687 B2 * 7/2009 Liu H01L 23/4093
165/185
D609,198 S * 2/2010 Hsu D13/179
D622,227 S * 8/2010 Huang D13/179
7,768,786 B2 * 8/2010 Liang H01L 23/4093
257/719
7,785,126 B2 * 8/2010 Peng H01L 23/4093
439/331
7,834,444 B2 11/2010 Awad et al.
7,961,473 B1 * 6/2011 Bohannon H01L 23/4006
165/80.3
8,248,786 B2 * 8/2012 Cheng G06F 1/20
165/104.33

8,274,793 B2 * 9/2012 Wang H01L 23/4093
165/121
8,780,563 B2 7/2014 Lostoski
9,118,141 B2 * 8/2015 Yeh H01R 13/533
9,603,286 B2 3/2017 Carpenter et al.
D804,434 S * 12/2017 Lu D13/179
9,875,951 B2 1/2018 Glover et al.
2007/0086170 A1 4/2007 Liang

OTHER PUBLICATIONS

Digi-Key, "Advanced Thermal Solutions Inc. ATS-X50150B-C1-R0", Accessed Aug. 7, 2018. (<https://www.digikey.com/products/en?vendor=Advanced%20Thermal%20Solutions&keywords=ATS1944-ND>) (Year: 2018).*
Radian, "EZ Snap Clip", Accessed Aug. 7, 2018. (<https://www.radianheatsinks.com/ez-snap-clip/>) (Year: 2018).*

* cited by examiner

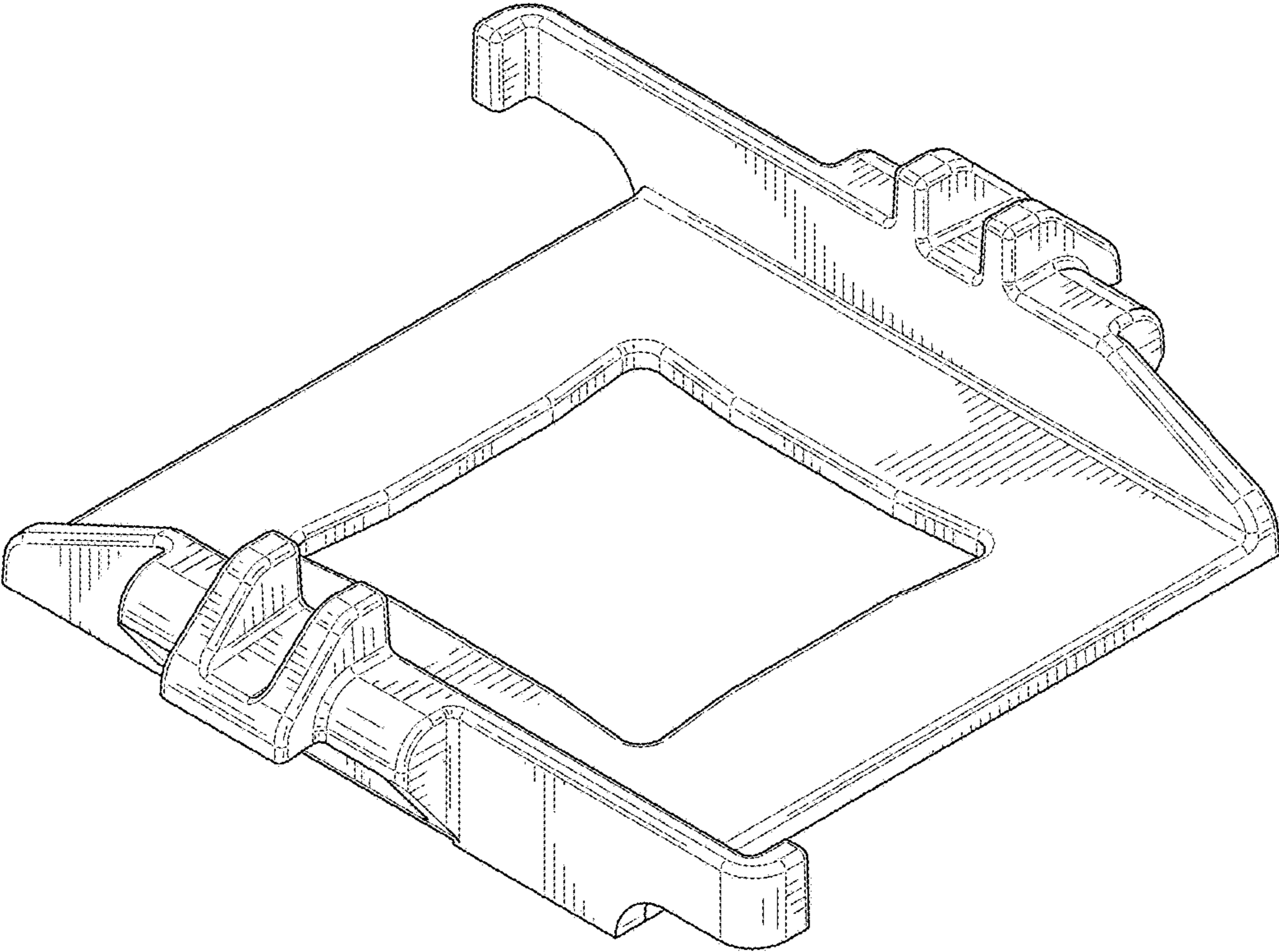


FIG. 1

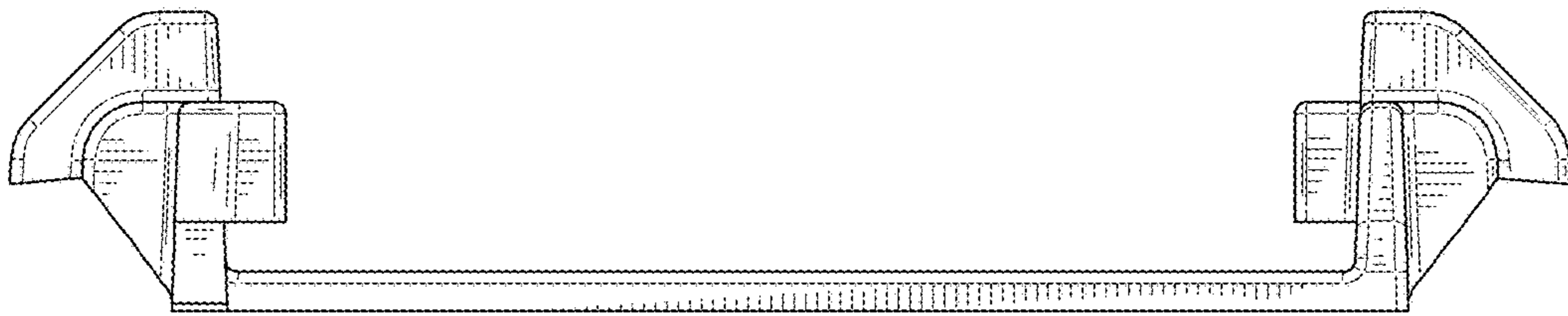


FIG. 2

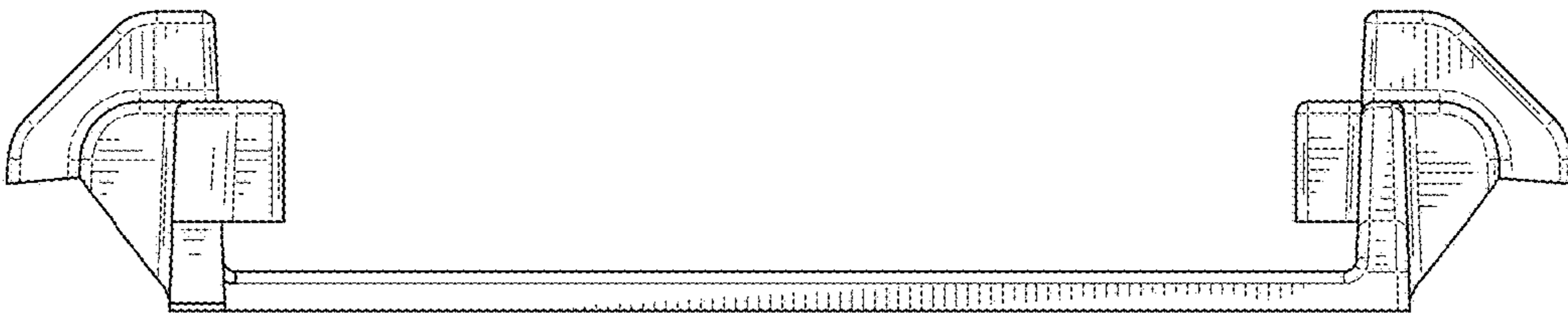


FIG. 3

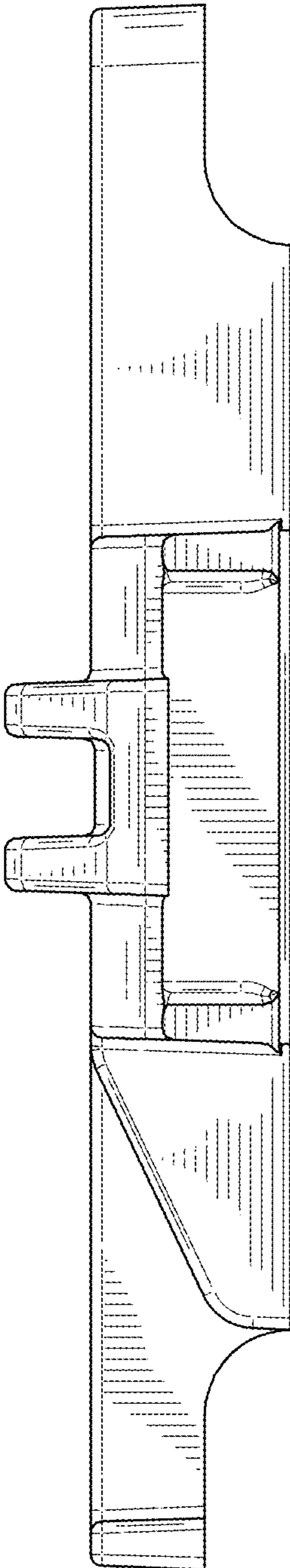


FIG. 4

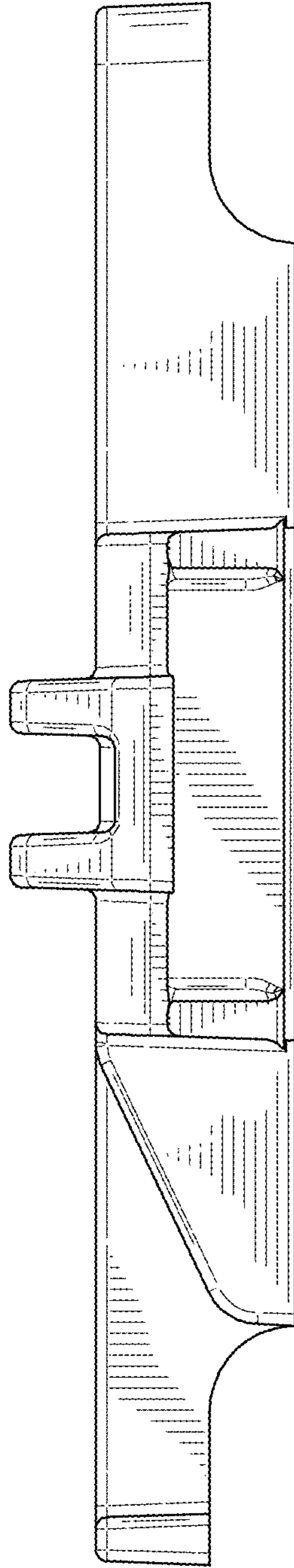


FIG. 5

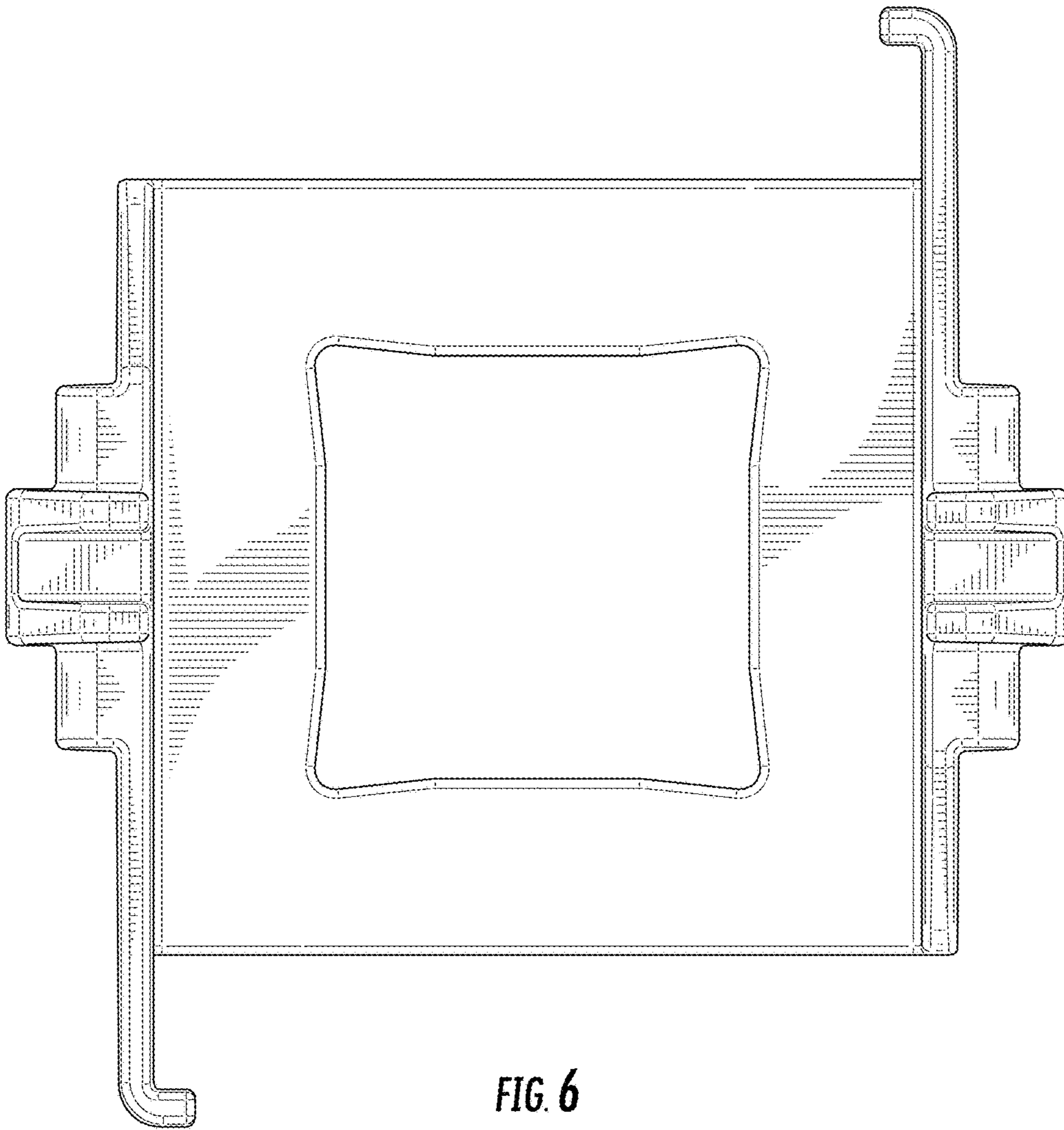


FIG. 6

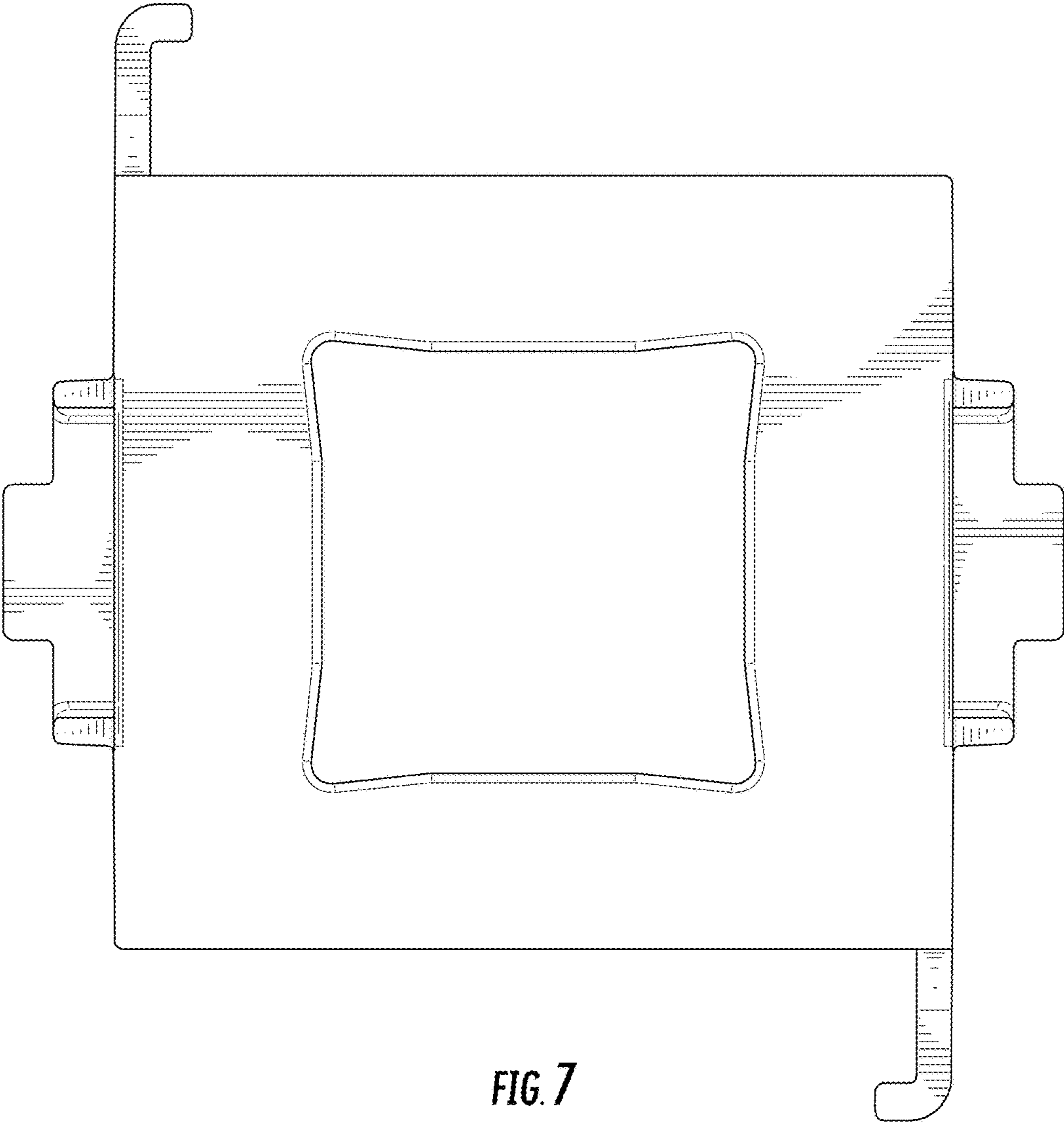


FIG. 7

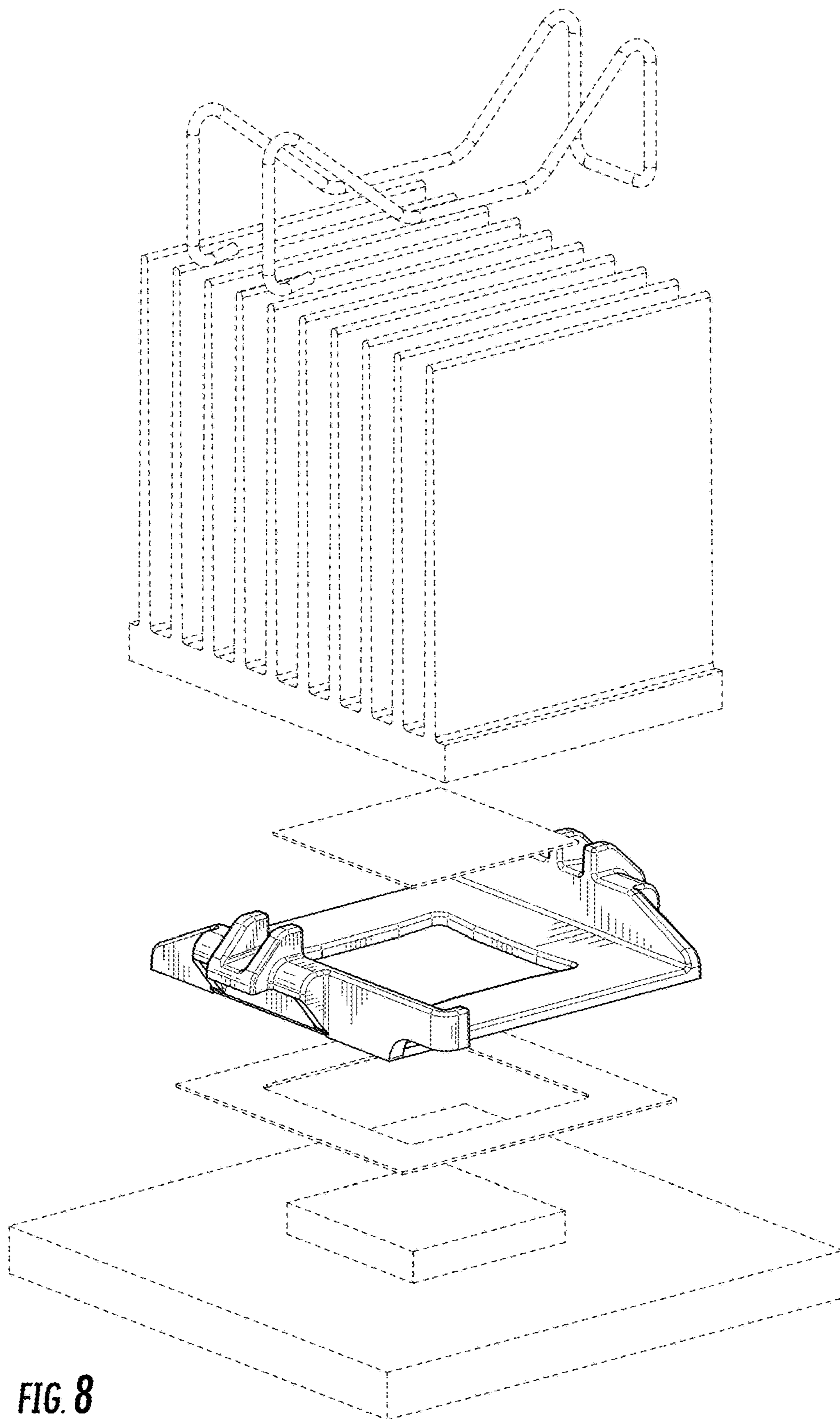


FIG. 8

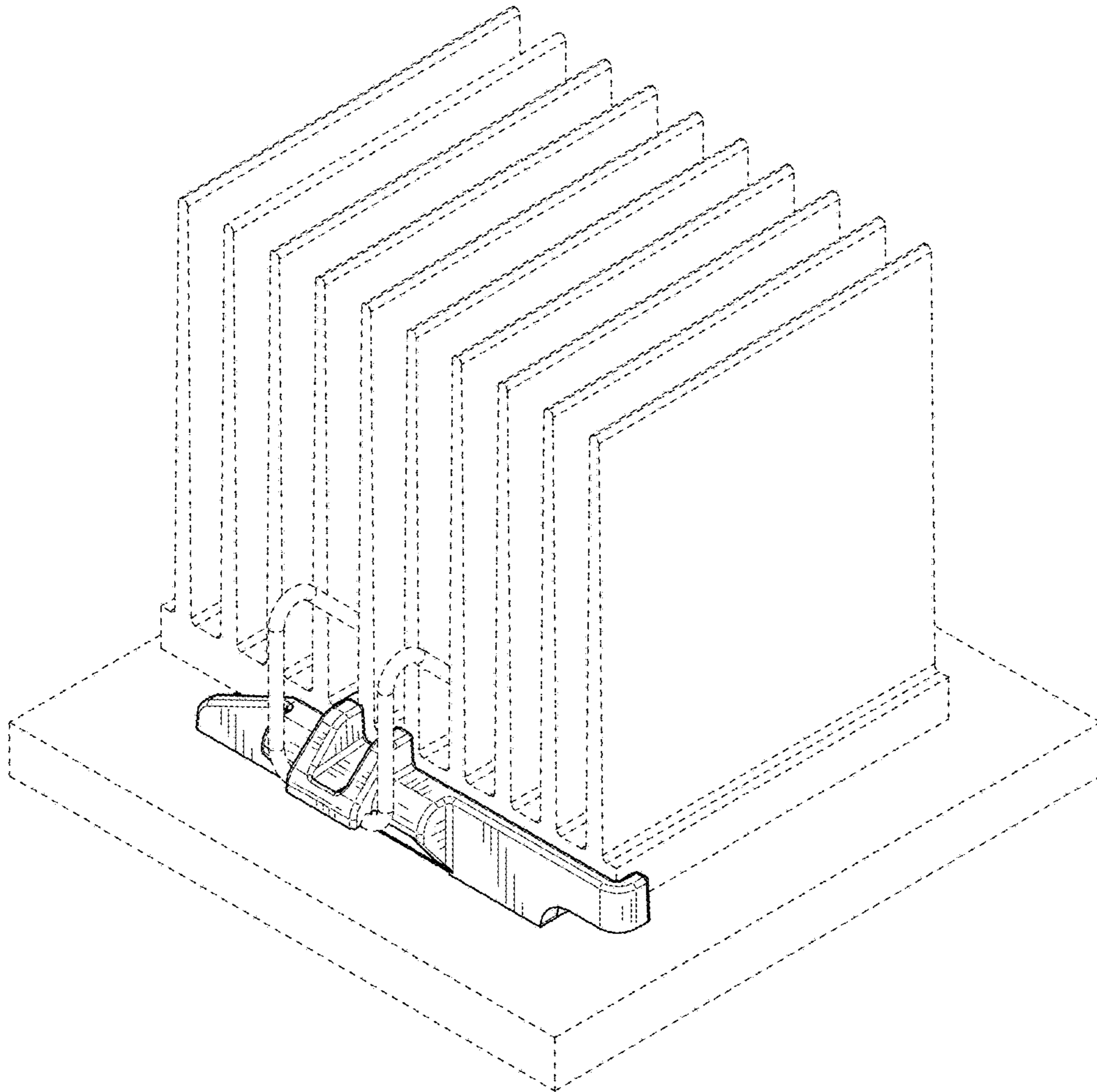


FIG. 9