



US00D835583S

(12) **United States Design Patent** (10) **Patent No.:** **US D835,583 S**  
**Hughes** (45) **Date of Patent:** **\*\* Dec. 11, 2018**

(54) **ELECTRICAL CABLE TERMINATION WITH PULL TABS AND THROUGH HOLES**

4,431,863 A 2/1984 Metzler, Jr.  
5,280,136 A 1/1994 Yaworski et al.  
5,374,780 A \* 12/1994 Pazdirek ..... B29C 70/347  
174/137 A

(71) Applicant: **COOPER TECHNOLOGIES COMPANY**, Houston, TX (US)

(Continued)

(72) Inventor: **David Charles Hughes**, Rubicon, WI (US)

FOREIGN PATENT DOCUMENTS

(73) Assignee: **COOPER TECHNOLOGIES COMPANY**, Houston, TX (US)

WO 1991000896 A1 1/1991  
WO 1996010851 A1 4/1996  
WO 2013096354 A1 6/2013

(\*\*) Term: **15 Years**

OTHER PUBLICATIONS

(21) Appl. No.: **29/608,340**

Raychem Cable Termination Head, dated Jan. 18, 2016, [online], [site visited Jun. 29, 2018]. Available from Internet, <URL: <http://www.samm.com/en/product/1176/raychem-cable-termination-head-cold-applied-din-46235-6-10-15-kv.html>> (Year: 2016).\*

(22) Filed: **Jun. 21, 2017**

(Continued)

(51) **LOC (11) Cl.** ..... **13-03**

(52) **U.S. Cl.**  
USPC ..... **D13/133; D13/131**

(58) **Field of Classification Search**  
USPC ..... D13/118, 123, 129-133, 145, 148, D13/153-156, 173, 184, 199  
CPC ..... H01B 7/28; H01B 17/02; H01B 17/06; H01B 17/58; H01H 85/00; H01H 85/30; H01H 85/165; H01R 4/10; H01R 4/18; H01R 11/09; H01R 13/53; H01R 4/40; H01R 4/20; H01R 13/502; H02G 15/02; H02G 15/06; H02G 15/068; H02G 15/064; H02G 15/18; H02G 15/84  
See application file for complete search history.

*Primary Examiner* — Angela J Lee  
*Assistant Examiner* — Shawn T Gingrich  
(74) *Attorney, Agent, or Firm* — King & Spalding LLP

(57) **CLAIM**

The ornamental design for an electrical cable termination with pull tabs and through holes, as shown and described.

**DESCRIPTION**

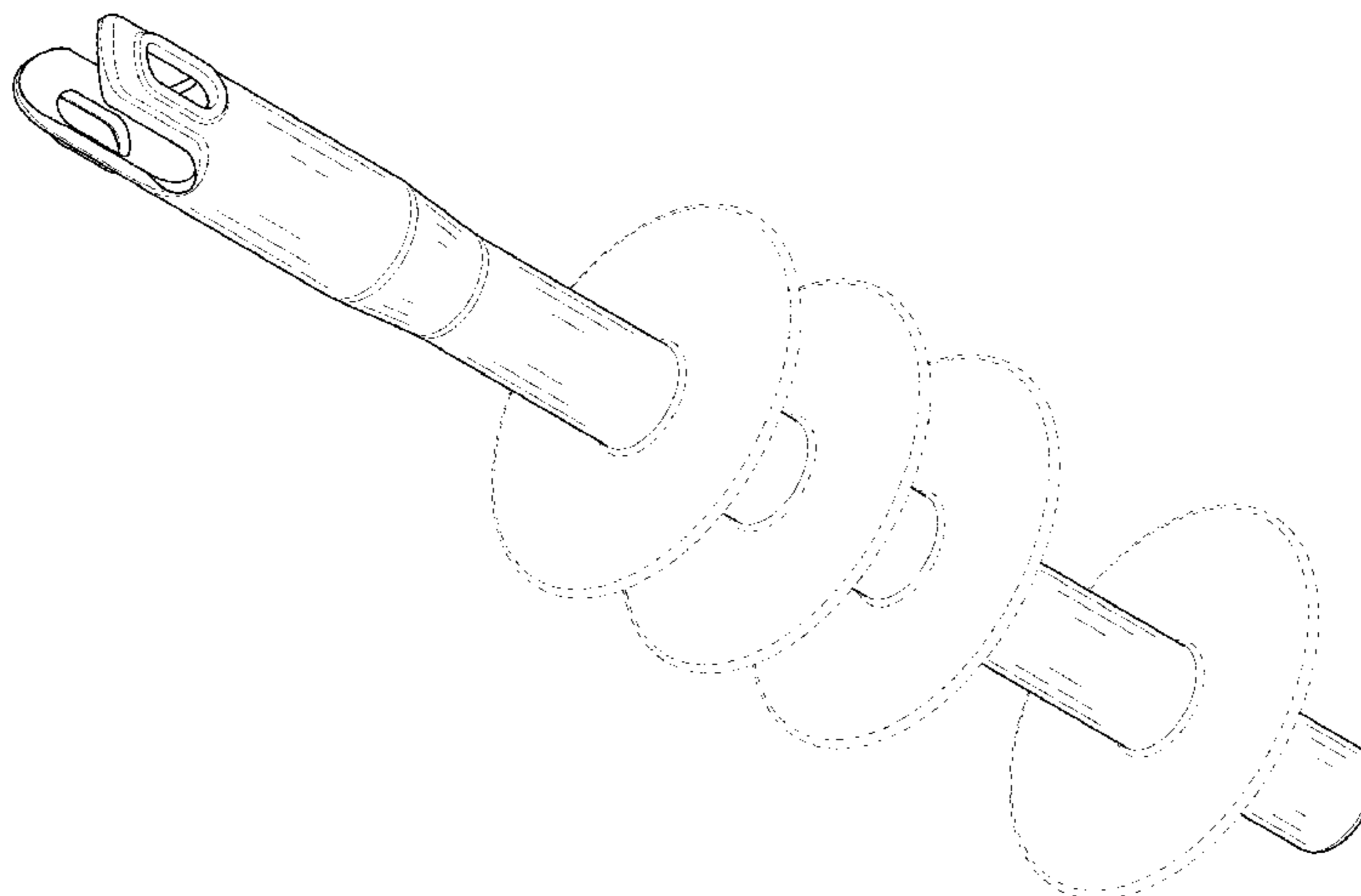
FIG. 1 is a front perspective view of an electrical cable termination with pull tabs and through holes, showing my new design;  
FIG. 2 is a back perspective view thereof;  
FIG. 3 is a left side elevation view thereof;  
FIG. 4 is a front side elevation view thereof;  
FIG. 5 is a right side elevation view thereof;  
FIG. 6 is a back side elevation view thereof;  
FIG. 7 is a top plan view thereof; and,  
FIG. 8 is a bottom plan view thereof.  
The broken lines shown represent portions of the electrical cable termination with pull tabs and through holes that form no part of the claimed design.

(56) **References Cited**

U.S. PATENT DOCUMENTS

D219,590 S \* 12/1970 Vose ..... 174/177  
D229,187 S \* 11/1973 Vrabel ..... D13/130  
3,808,352 A 4/1974 Johnson  
4,045,604 A 8/1977 Clabburn  
D247,963 S \* 5/1978 Lewis ..... D13/130  
D261,756 S \* 11/1981 Essig ..... D13/131

**1 Claim, 5 Drawing Sheets**



(56)

**References Cited**

## U.S. PATENT DOCUMENTS

5,495,650 A 3/1996 Crepel et al.  
D375,079 S \* 10/1996 Pazdirek ..... D13/132  
D392,616 S \* 3/1998 Gagne ..... D13/131  
5,844,170 A 12/1998 Chor et al.  
5,877,453 A 3/1999 Hill  
6,031,186 A \* 2/2000 Sakich ..... H01B 17/02  
174/158 R  
8,383,945 B2 \* 2/2013 DeFrance ..... H02G 15/02  
174/74 R  
2007/0062718 A1 \* 3/2007 De France ..... H01R 4/5025  
174/84 C  
2016/0300645 A1 10/2016 Yaworski  
2017/0306810 A1 \* 10/2017 Nielsen ..... F01L 1/245  
2017/0373484 A1 \* 12/2017 Hughes ..... H02G 15/22

## OTHER PUBLICATIONS

Heat Shrinkable Cable End Termination, dated Mar. 1, 201, [online], [site visited Jun. 29, 2018]. Available from Internet, <URL: <http://www.jointmask.com/heat-shrinkable-cable-end-termination>> (Year: 2017).\*

International Search Report and Written Opinion From Corresponding International Patent Application No. PCT/US2017/038437, dated Oct. 19, 2017, 5 Sheets.

Thomas&Betts Cable Accessories/Elastimold Catalog, "Elastimold Product Selection Guide®", Ranger2® Shrink-Fit Terminations 15-35kV, PG-CA-R2T-0909, © 2009, 12 sheets.

\* cited by examiner

FIG. 1

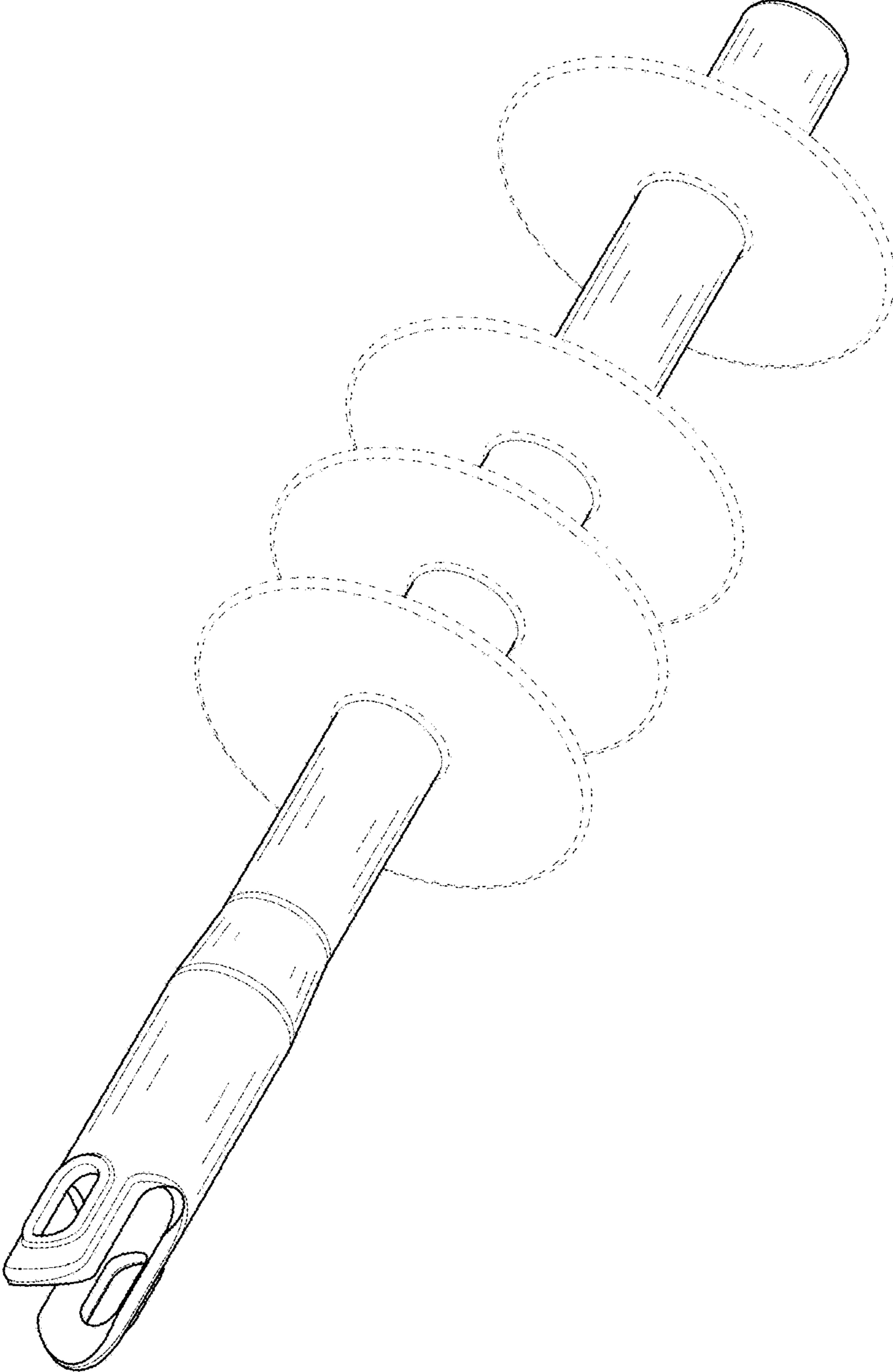


FIG. 2

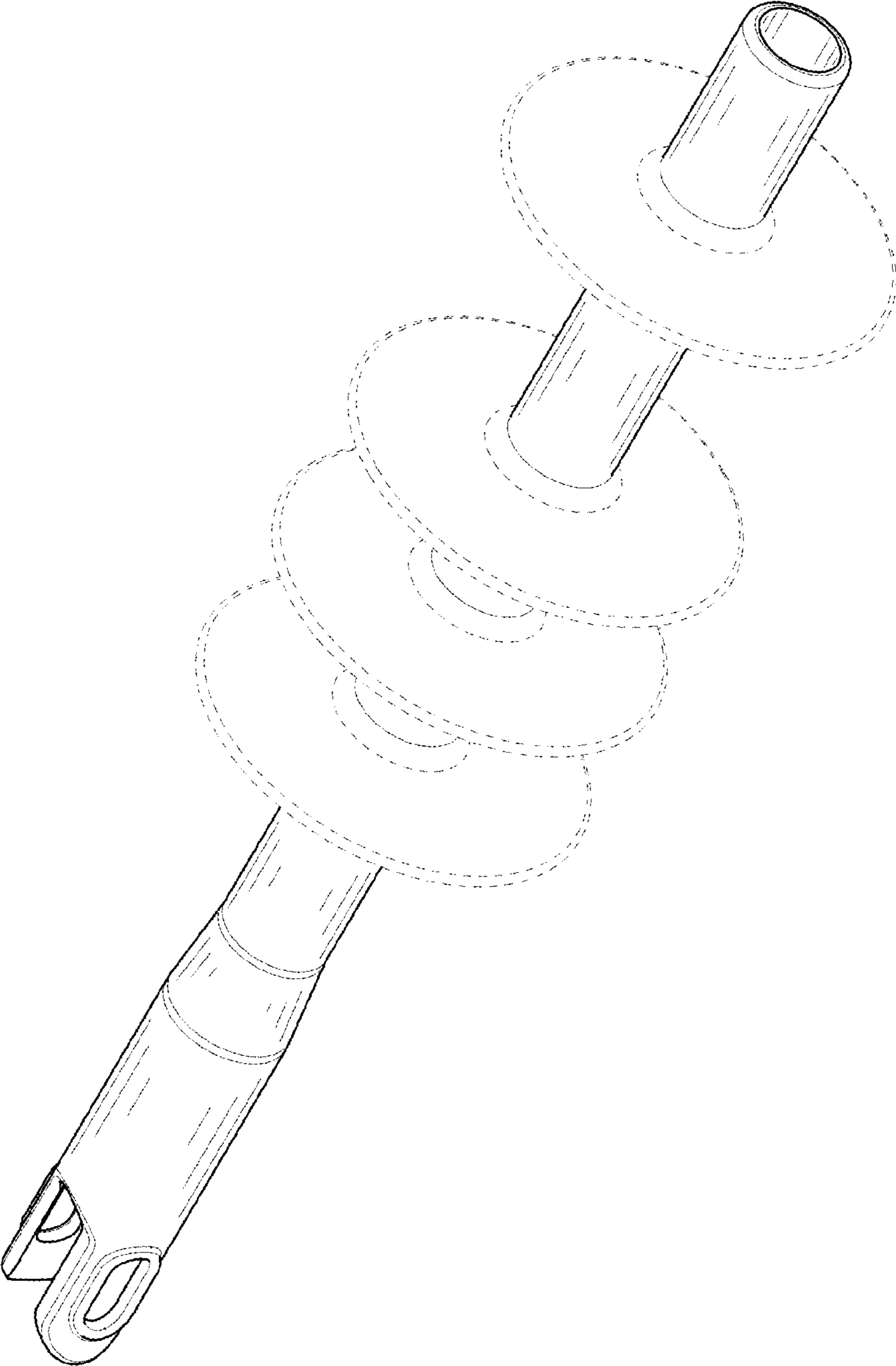


FIG. 3

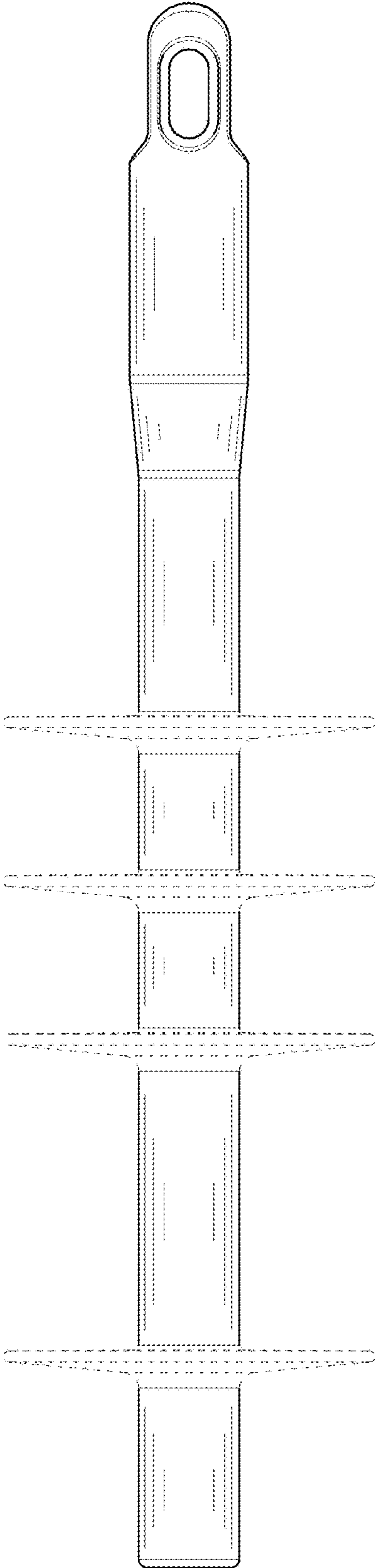


FIG. 4

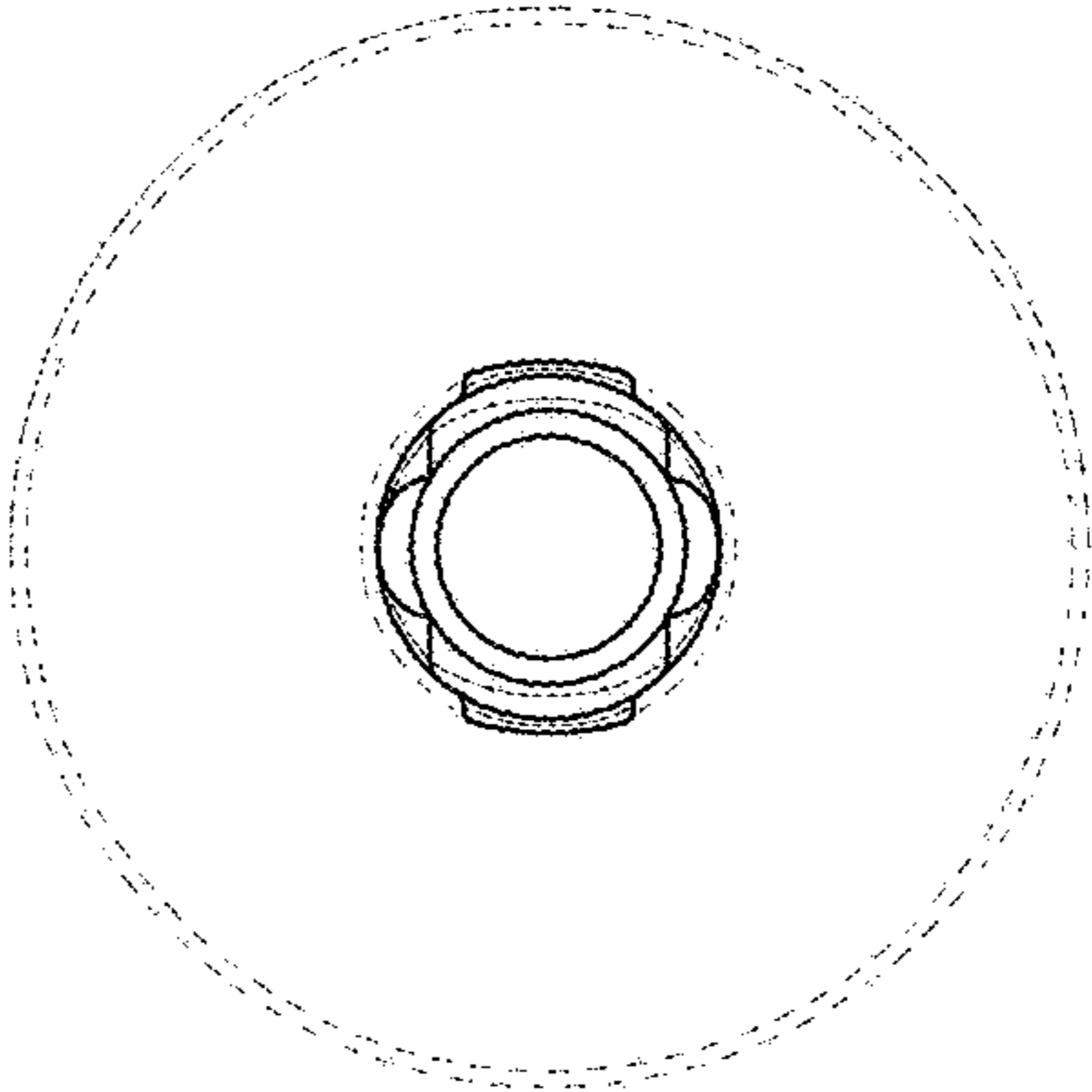


FIG. 5

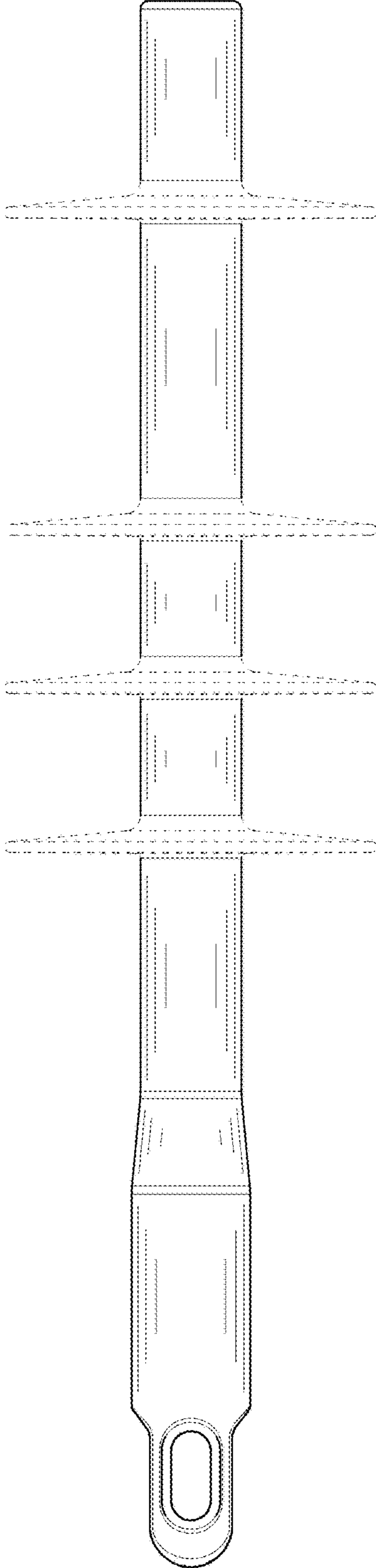


FIG. 6

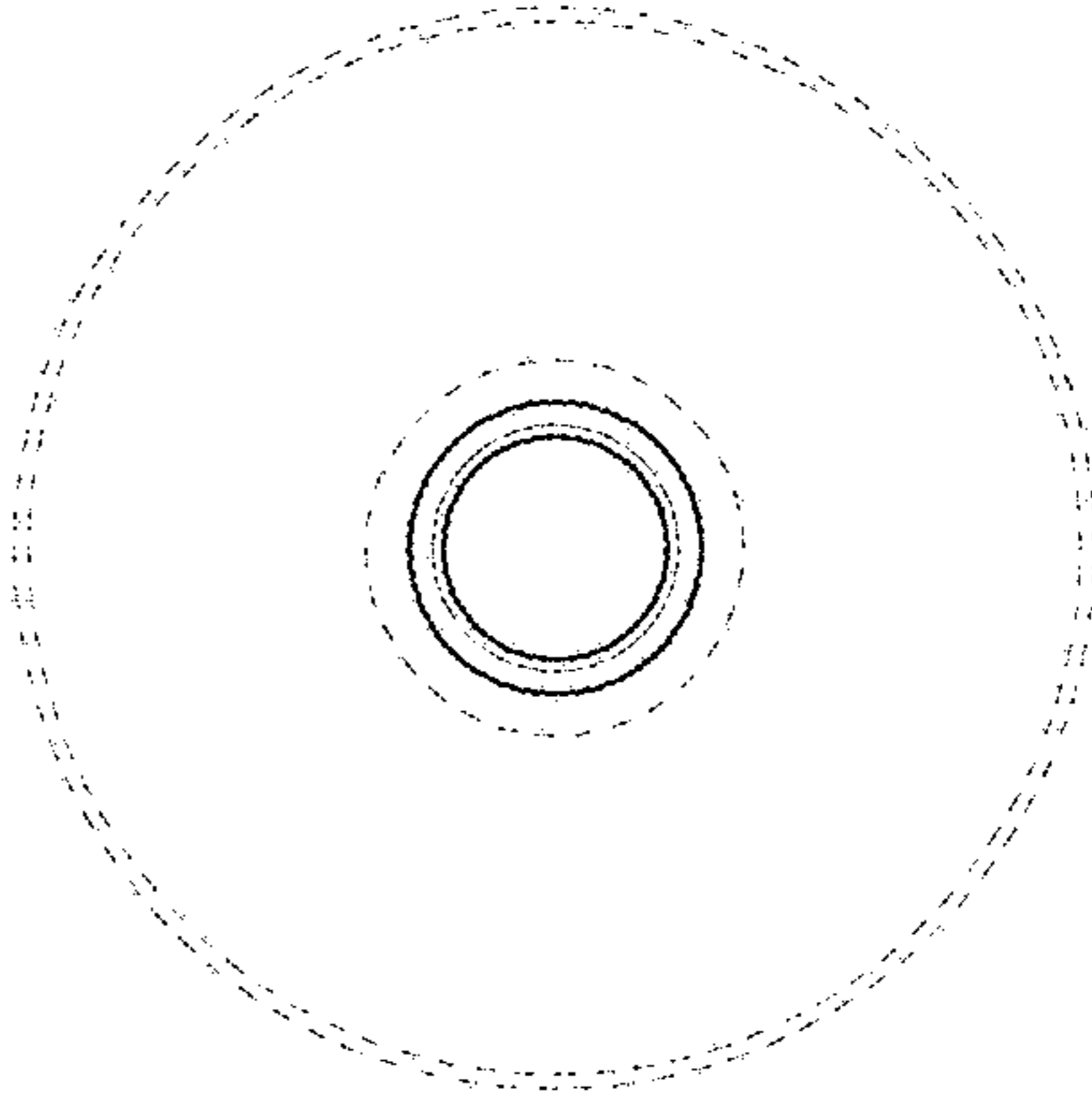


FIG. 7

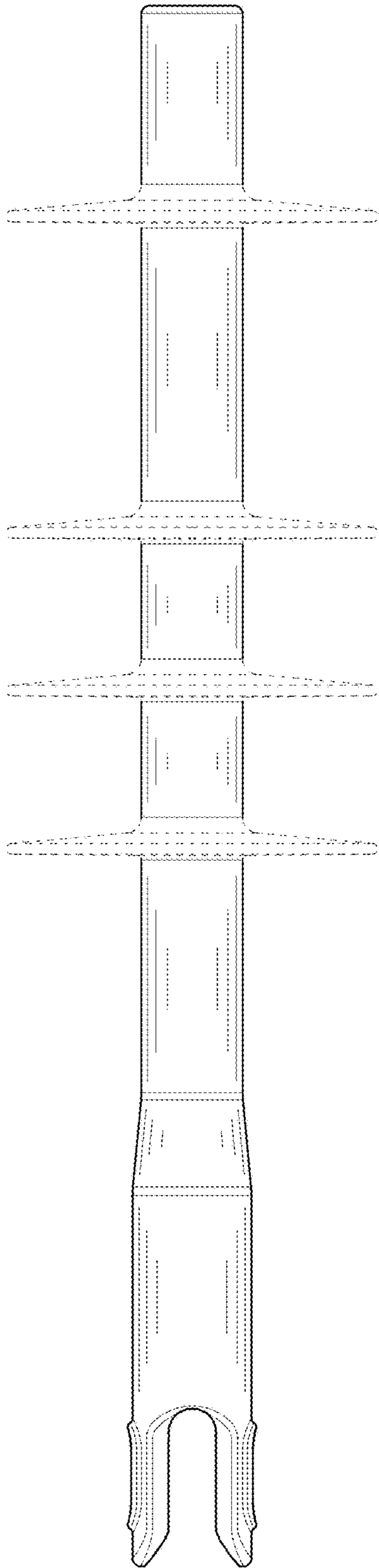


FIG. 8

