



US00D835581S

(12) **United States Design Patent**
Mayor et al.

(10) **Patent No.:** **US D835,581 S**

(45) **Date of Patent:** **** Dec. 11, 2018**

- (54) **ELECTRIC MOTOR TERMINAL**
- (71) Applicants: **J. Rhett Mayor**, Braselton, GA (US);
Sumari Mayor, Braselton, GA (US); **S. Andrew Semidey**, Woodstock, GA (US)
- (72) Inventors: **J. Rhett Mayor**, Braselton, GA (US);
Sumari Mayor, Braselton, GA (US); **S. Andrew Semidey**, Woodstock, GA (US)
- (**) Term: **15 Years**
- (21) Appl. No.: **29/566,049**
- (22) Filed: **May 26, 2016**
- (51) **LOC (11) Cl.** **13-01**
- (52) **U.S. Cl.**
USPC **D13/112**
- (58) **Field of Classification Search**
USPC D13/103, 108, 110, 112, 113, 117, 118,
D13/120, 121, 122, 133, 138.2, 146, 147,
D13/154, 156
CPC H02K 5/22; H02K 11/30; H02K 17/08;
H01R 9/24; B62D 5/04
See application file for complete search history.

(56) **References Cited**

U.S. PATENT DOCUMENTS

- 1,471,834 A * 10/1923 Defibaugh H02K 5/22
310/71
- D691,562 S * 10/2013 Suzuki D13/146
- D702,639 S * 4/2014 Ruffner D13/110
- D720,301 S * 12/2014 Schuckmann D13/154
- D733,053 S * 6/2015 Greig D13/133
- D750,571 S * 3/2016 Auguste D13/156
- D752,518 S * 3/2016 Norman D13/146
- D769,821 S * 10/2016 Greig D13/146
- D774,465 S * 12/2016 Corona D13/147
- D798,822 S * 10/2017 Jiang D13/147

- 2003/0127921 A1* 7/2003 Akutsu B62D 5/0406
310/68 R
- 2004/0017120 A1* 1/2004 Lyle H02K 5/225
310/71
- 2005/0142925 A1* 6/2005 Mugnaini H01R 4/2441
439/411
- 2005/0239318 A1* 10/2005 Newton, Jr. H01R 13/7197
439/383
- 2008/0302557 A1* 12/2008 Giefers H01R 13/74
174/153 R
- 2012/0322311 A1* 12/2012 Sugiyama H01R 13/41
439/625
- 2013/0322049 A1* 12/2013 Ishikawa H01R 13/502
361/823
- 2014/0090872 A1* 4/2014 Onoda H01R 9/24
174/133 B
- 2014/0162486 A1* 6/2014 Yasui H01R 4/38
439/359
- 2015/0236561 A1* 8/2015 Aso H02K 5/22
310/43

(Continued)

Primary Examiner — Susan Bennett Hattan

Assistant Examiner — Suzanne E Tisdell

(57) **CLAIM**

The ornamental design of an electric motor terminal, as shown and described.

DESCRIPTION

FIG. 1 is a perspective view of an electric motor terminal, illustrating the novel design.

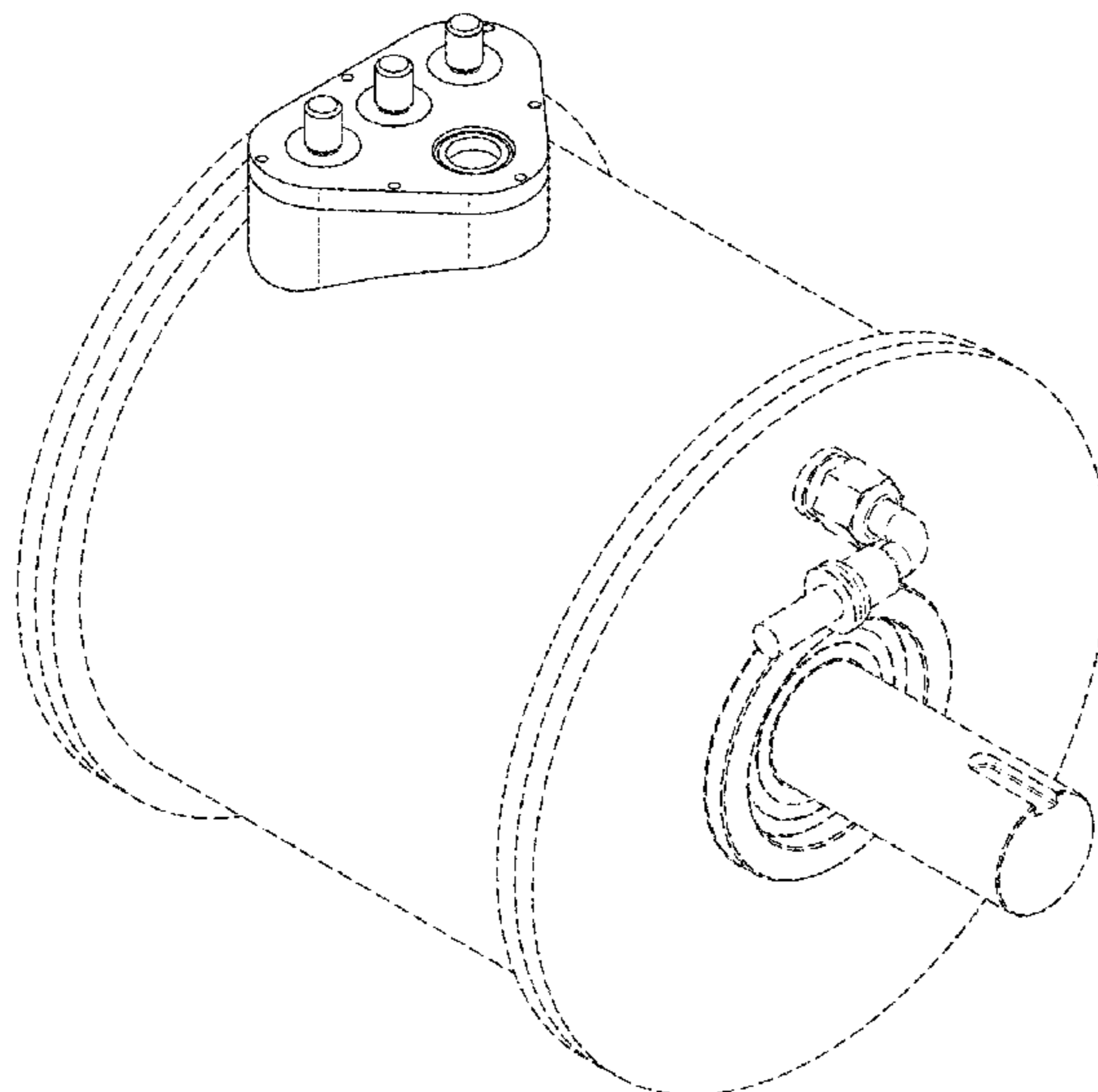
FIG. 2 is a plan view of the front of the electric motor terminal of FIG. 1.

FIG. 3 is a plan view of the top of the electric motor terminal of FIG. 1; and,

FIG. 4 is a plan view of the side of the electric motor terminal shown in FIG. 1.

The dashed lines in the drawings are for illustrative purposes only and form no part of the claimed design.

1 Claim, 4 Drawing Sheets



(56)

References Cited

U.S. PATENT DOCUMENTS

2016/0149464 A1* 5/2016 Fan H02K 5/22
310/71
2016/0204529 A1* 7/2016 Imai H01R 9/24
439/587
2016/0322930 A1* 11/2016 Tanaka H02S 40/34
2017/0033643 A1* 2/2017 Naka H02K 5/22

* cited by examiner

FIG. 1

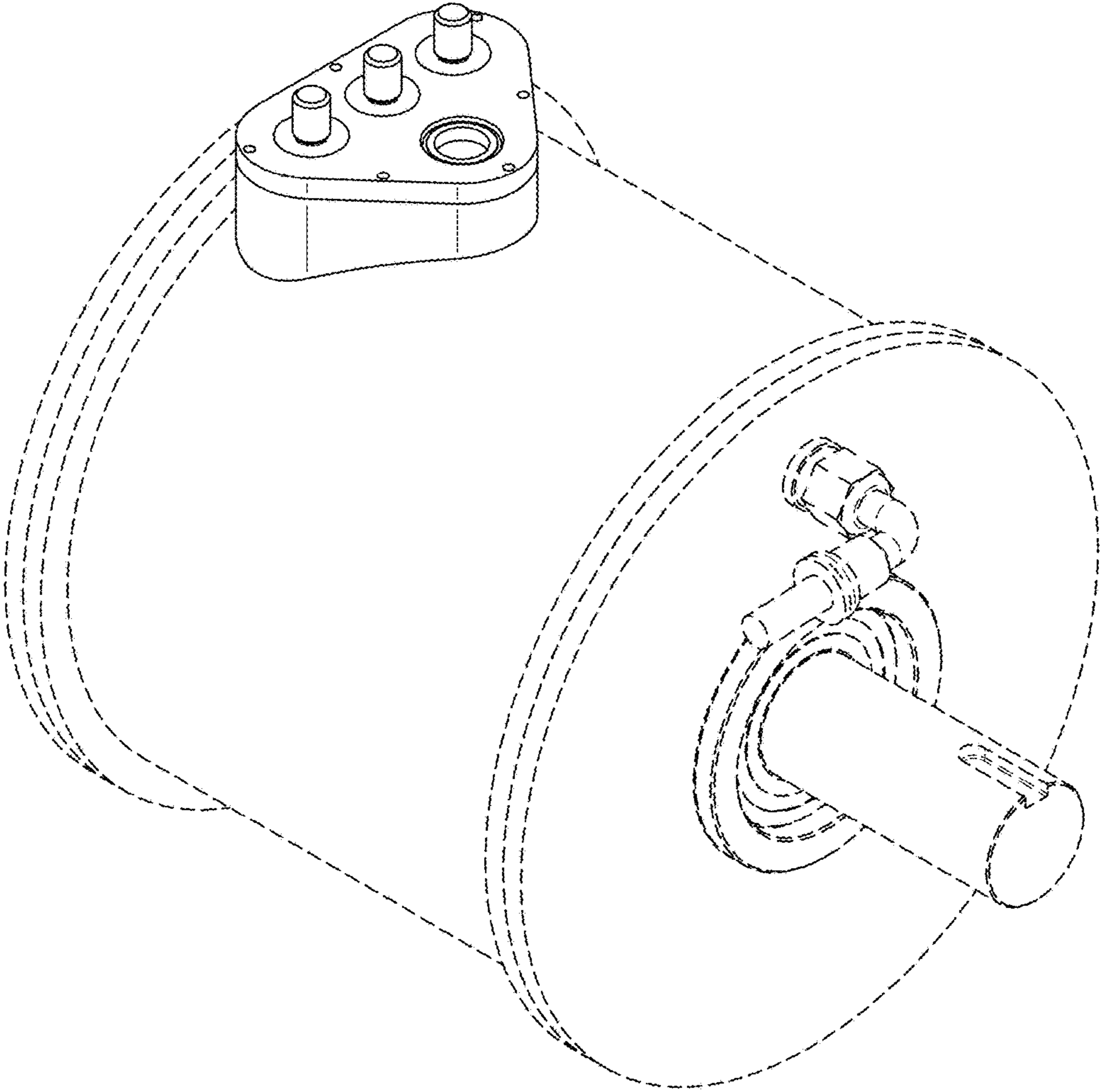


FIG. 2

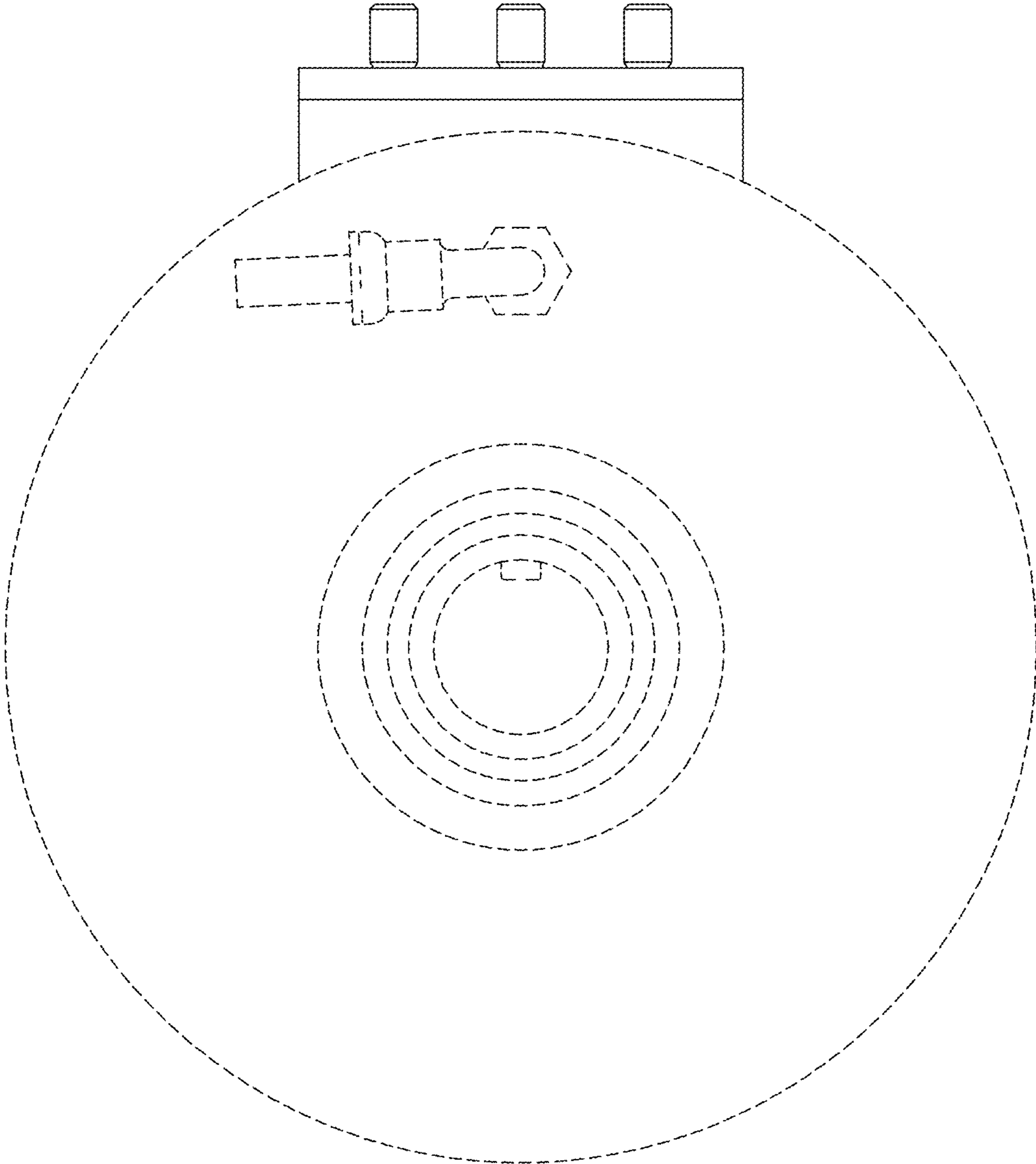


FIG. 3

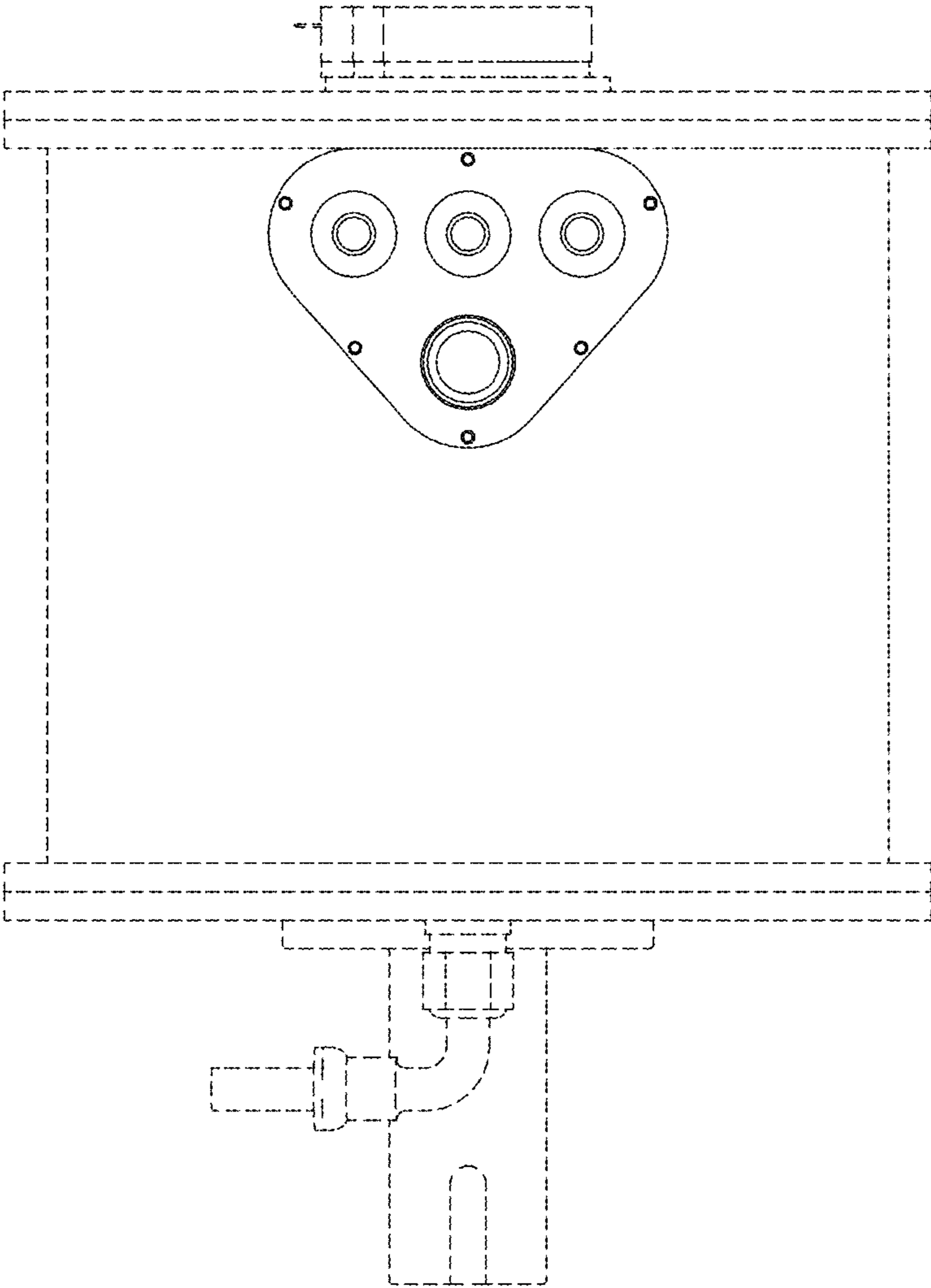


FIG. 4

