



US00D835578S

(12) **United States Design Patent**  
**Bai et al.**

(10) **Patent No.:** **US D835,578 S**

(45) **Date of Patent:** **\*\* Dec. 11, 2018**

(54) **PORTABLE POWER SOURCE**

(71) Applicant: **SHENZHEN HELLO TECH ENERGY CO., LTD.**, Shenzhen (CN)

(72) Inventors: **Wei Bai**, Shenzhen (CN); **Tao Yang**, Shenzhen (CN)

(73) Assignee: **SHENZHEN HELLO TECH ENERGY CO., LTD.**, Shenzhen (CN)

(\*\*) Term: **15 Years**

(21) Appl. No.: **29/614,677**

(22) Filed: **Aug. 22, 2017**

(51) **LOC (11) Cl.** ..... **13-02**

(52) **U.S. Cl.**  
USPC ..... **D13/108**; D13/103

(58) **Field of Classification Search**  
USPC ..... D13/102–110, 118, 119, 184, 199;  
D14/356, 432

CPC ..... Y02E 60/10; Y02E 60/12; Y02E 60/122;  
Y02E 60/124; Y02E 60/50; H01M  
2/1061; H01M 2/1022; H01M 2/1055;  
H01M 2/1066; H01M 2/105; H01M 2/20;  
H01M 2/202; H01M 2/204; H01M 2/206;  
H01M 2/02; H01M 2/022; H01M 2/0202;  
H01M 2/0207; H01M 2/0212; H01M  
10/44; H01M 10/46; H01M 10/465;  
H01M 10/482; H01M 10/4257; H01M  
10/0436; H01M 10/48; H01M 2250/30;  
H01M 2250/40; H02J 7/00; H02J 7/0003;  
H02J 7/0011; H02J 7/0013; H02J 7/0054;  
H02J 7/0055; H02J 7/0057; H02J  
2007/0062

See application file for complete search history.

(56) **References Cited**

**U.S. PATENT DOCUMENTS**

D428,596 S \* 7/2000 Birkestrand ..... D13/107  
D674,746 S \* 1/2013 Zhang ..... D13/102

D703,134 S \* 4/2014 Wong ..... D13/108  
D733,050 S \* 6/2015 Chiang ..... D13/103  
D749,506 S \* 2/2016 Morgan ..... D13/108  
D768,068 S \* 10/2016 Chen ..... D13/103  
D772,455 S \* 11/2016 Chen ..... D26/38  
2016/0013675 A1\* 1/2016 Workman ..... H02J 7/0045  
320/101

**OTHER PUBLICATIONS**

Hello-tech.com: AC Portable Power. No publish date. Retrieved from the internet at <<http://www.hello-tech.com/>>, Apr. 27, 2018. 1 page. (Year: 2018).\*

\* cited by examiner

*Primary Examiner* — Rosemary K Tarcza

*Assistant Examiner* — Christy M Nemeth

(74) *Attorney, Agent, or Firm* — Ladas & Parry LLP

(57) **CLAIM**

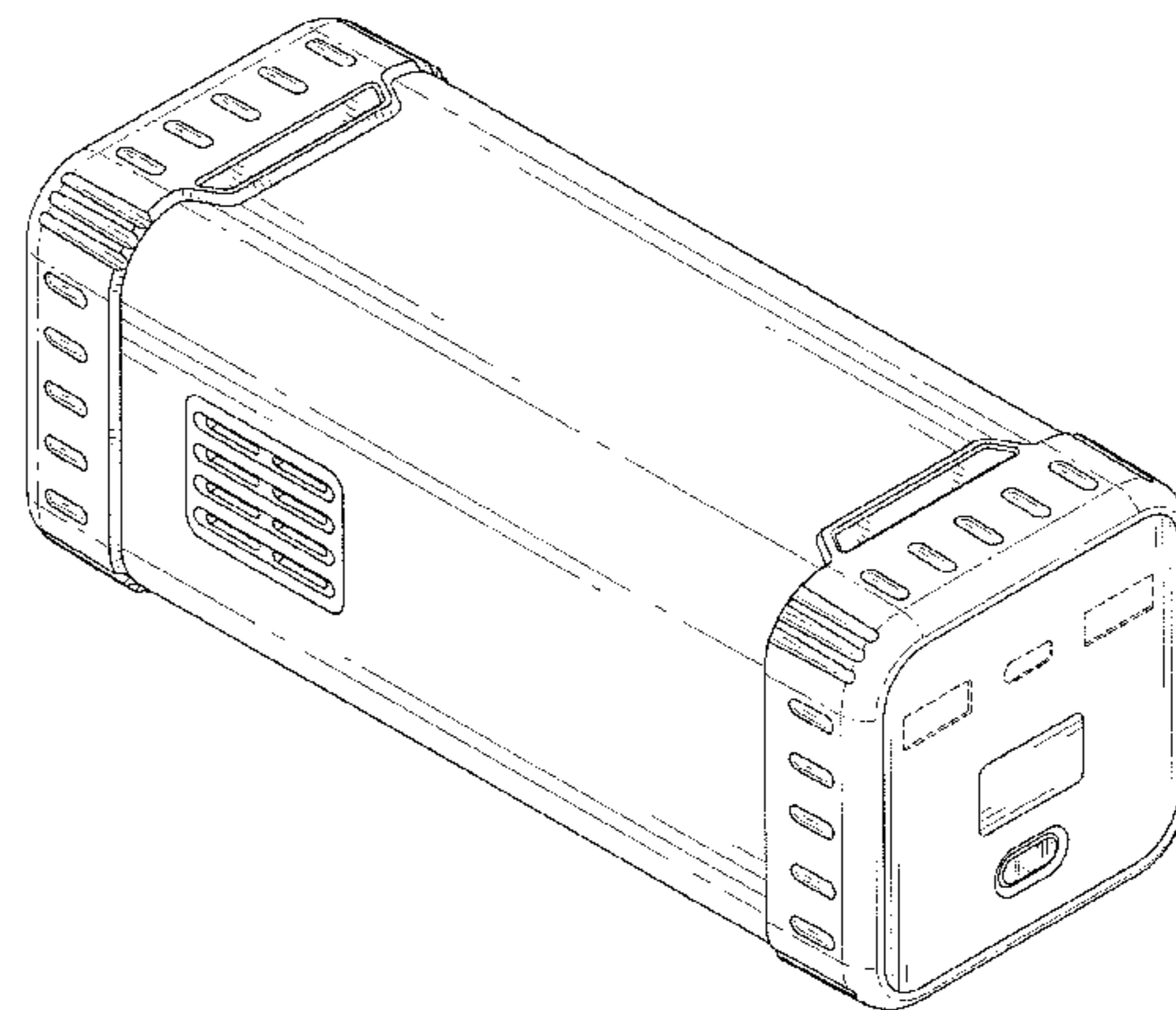
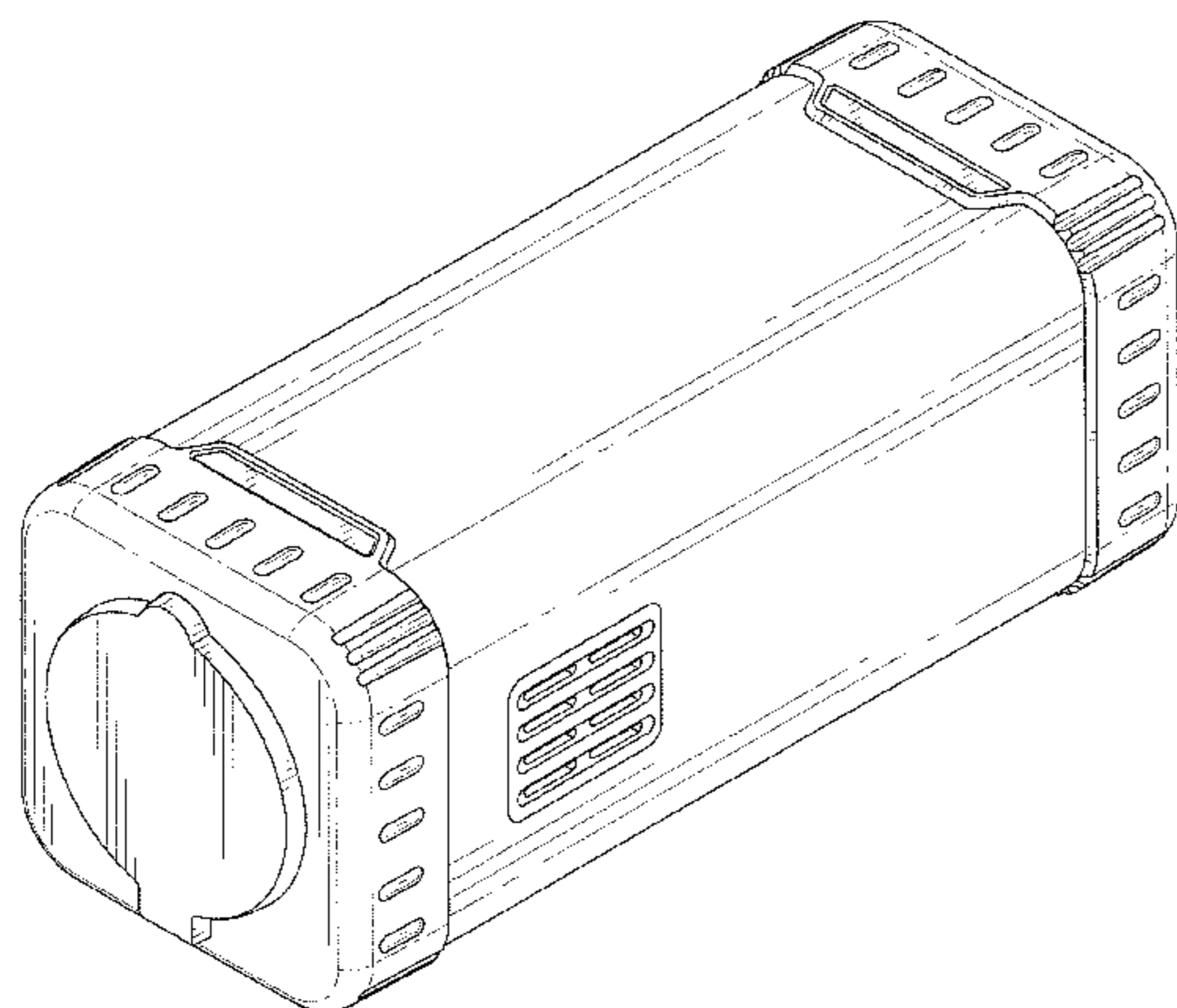
The ornamental design for a portable power source, as shown and described.

**DESCRIPTION**

FIG. 1 is a front, right, and top perspective view of a portable power source showing our new design; FIG. 2 is a rear, left, and bottom perspective view thereof; FIG. 3 is a front elevational view thereof; FIG. 4 is a rear elevational view thereof; FIG. 5 is a left side elevational view thereof; FIG. 6 is a right side elevational view thereof; FIG. 7 is a top plan view thereof; and, FIG. 8 is a bottom plan view thereof.

The broken lines in the drawings are for the purpose of illustrating portions of the portable power source that form no part of the claimed design.

**1 Claim, 8 Drawing Sheets**



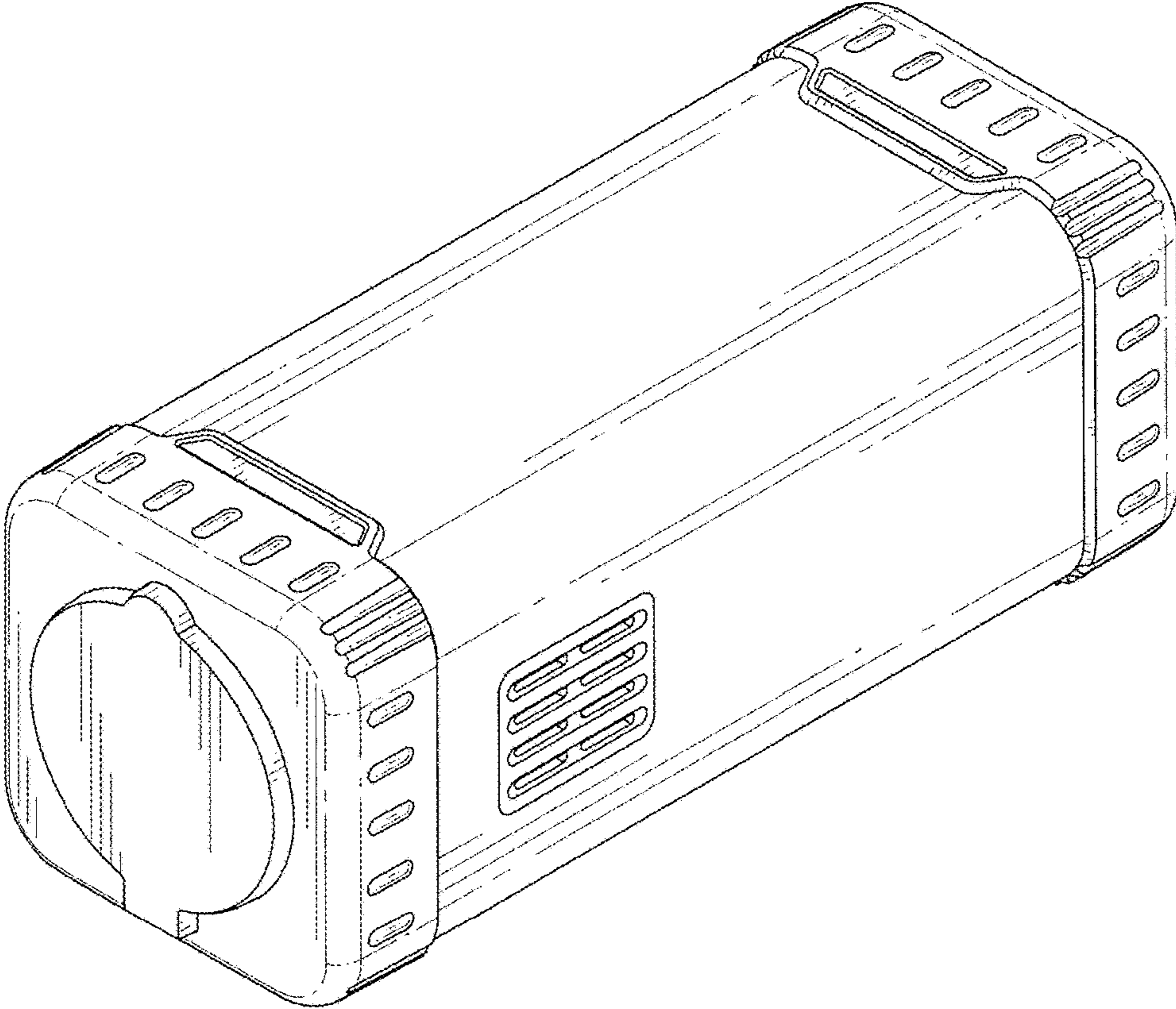


FIG. 1

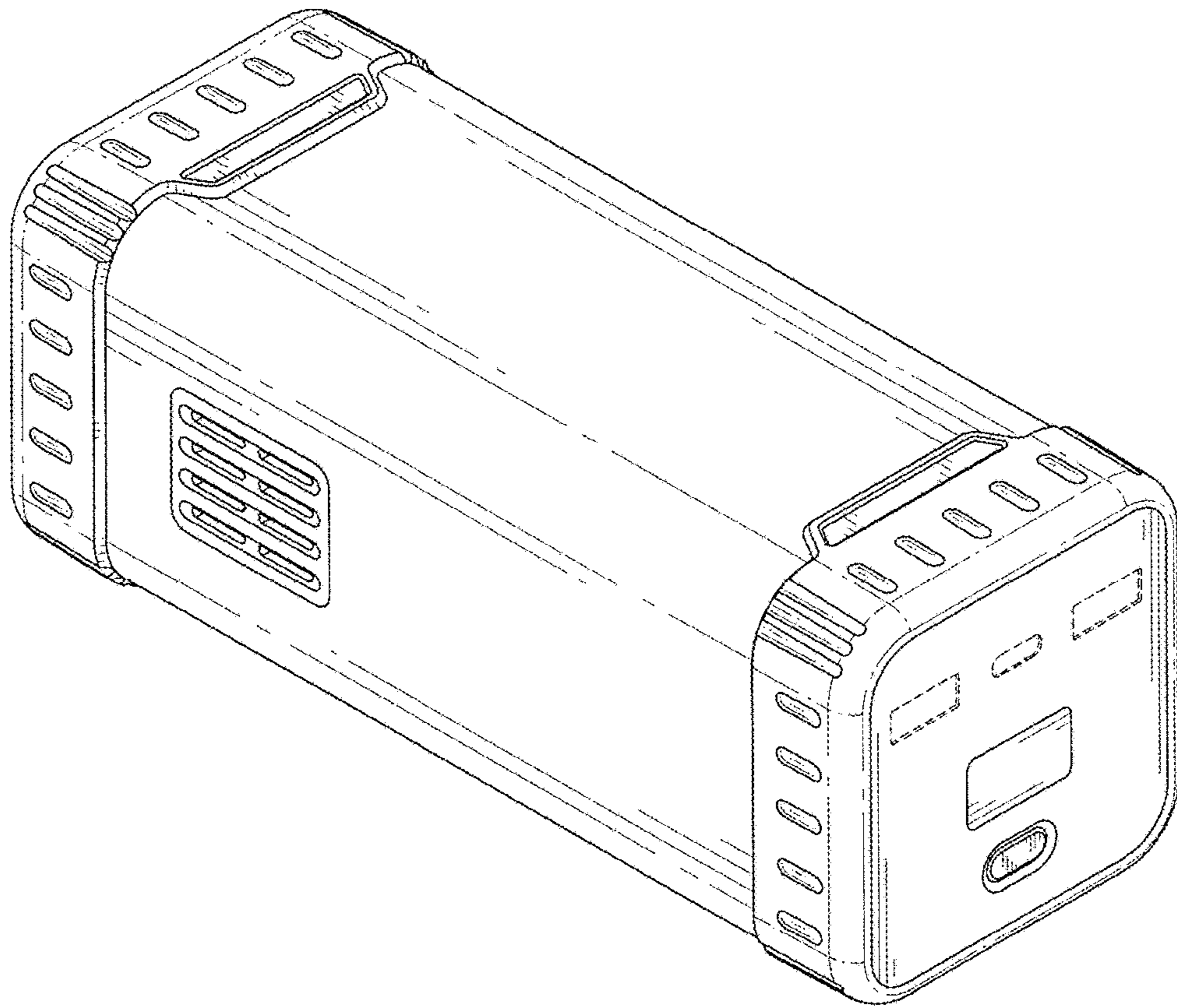


FIG. 2

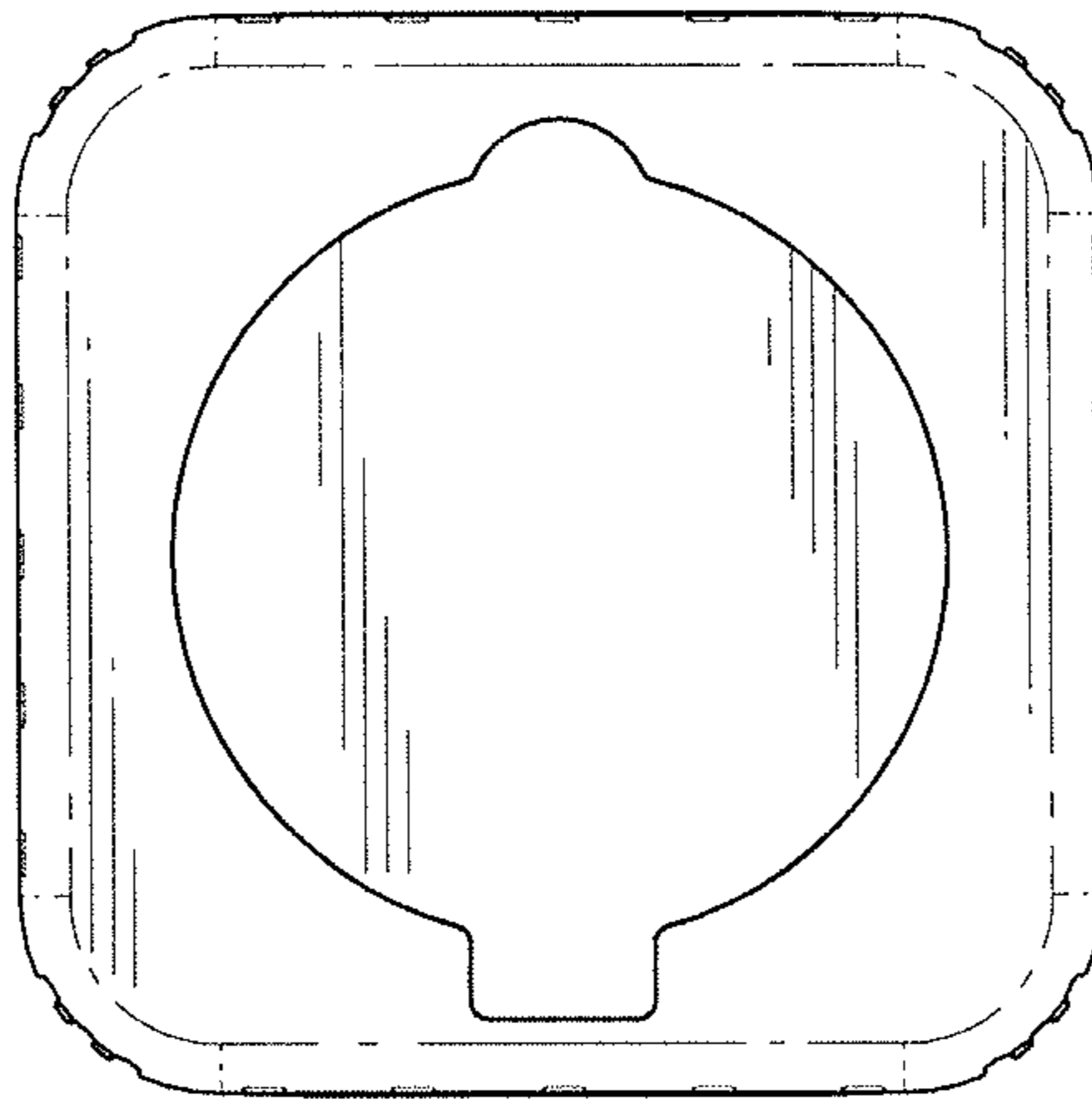


FIG. 3

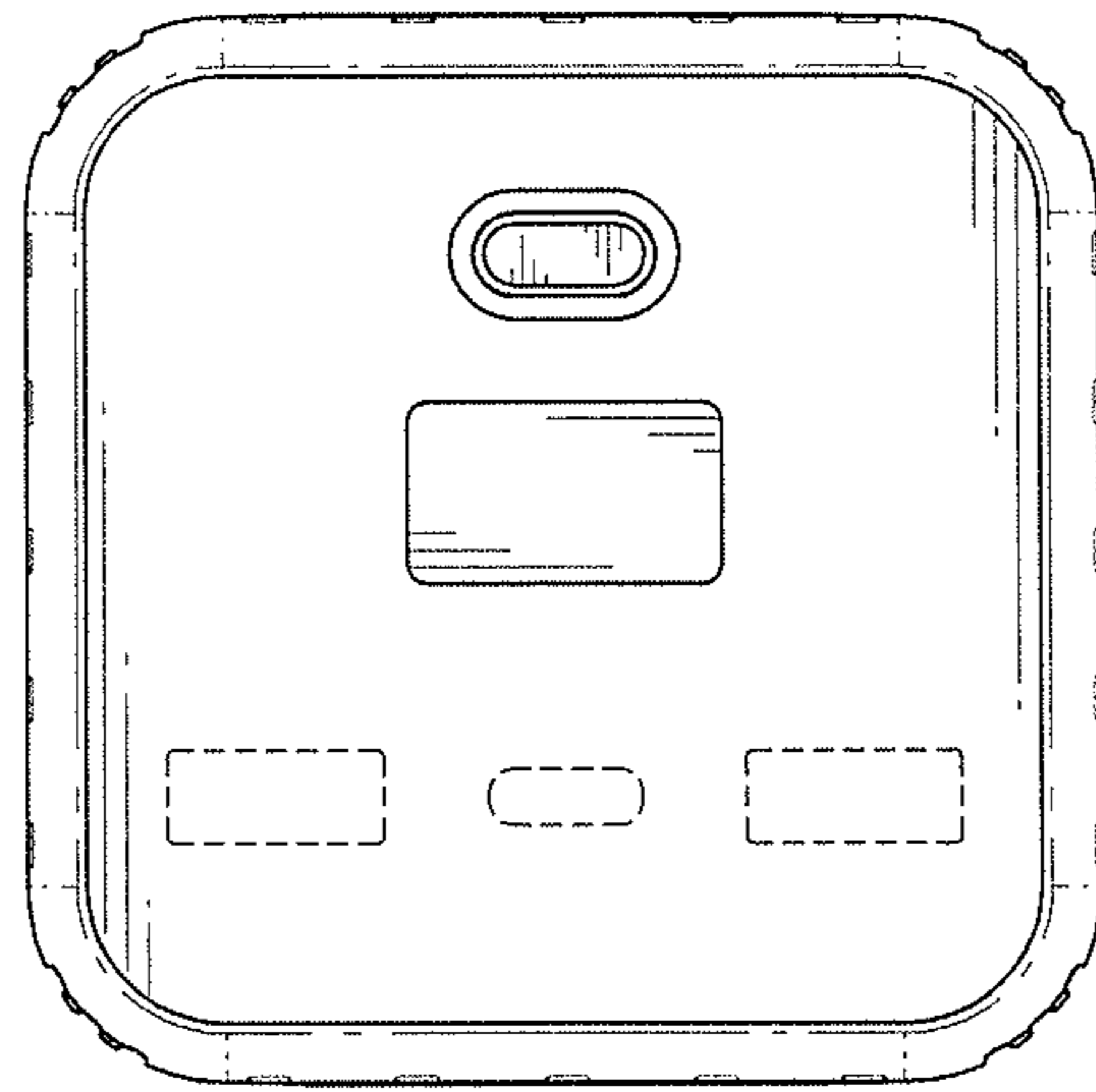


FIG. 4

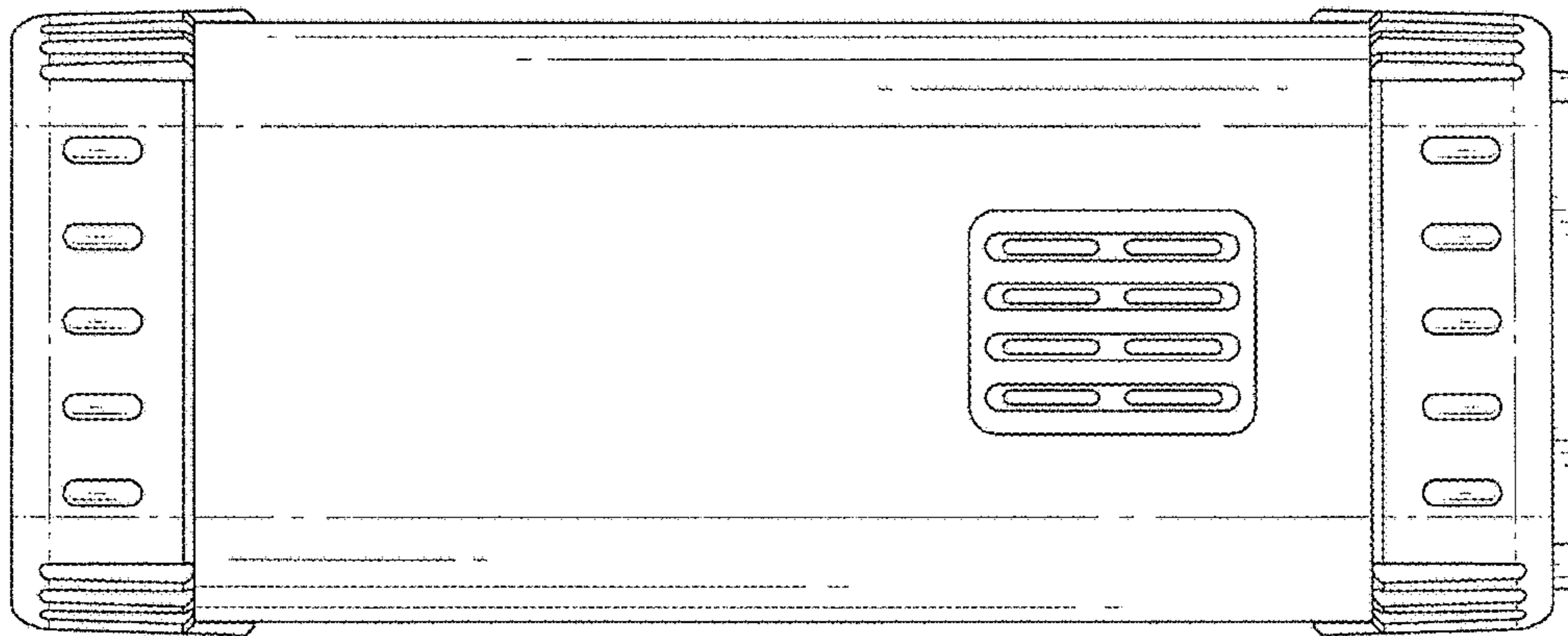


FIG. 5

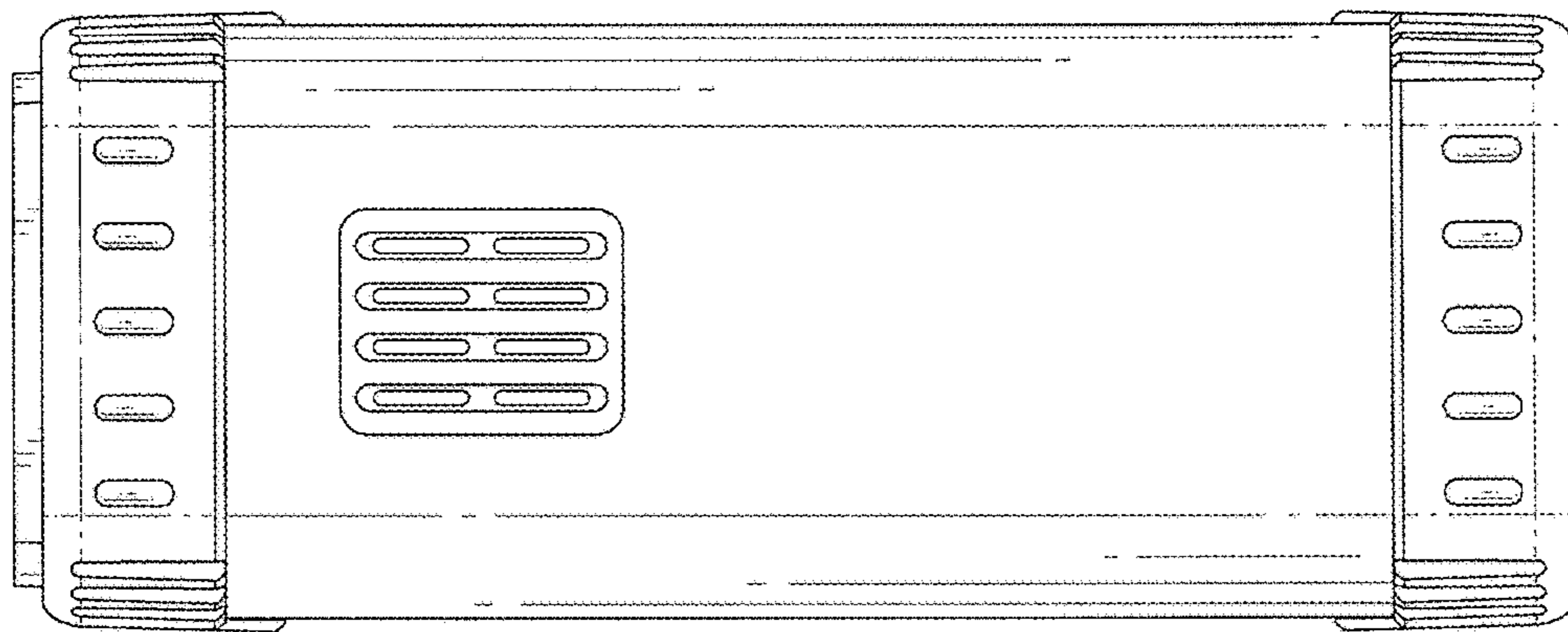


FIG. 6

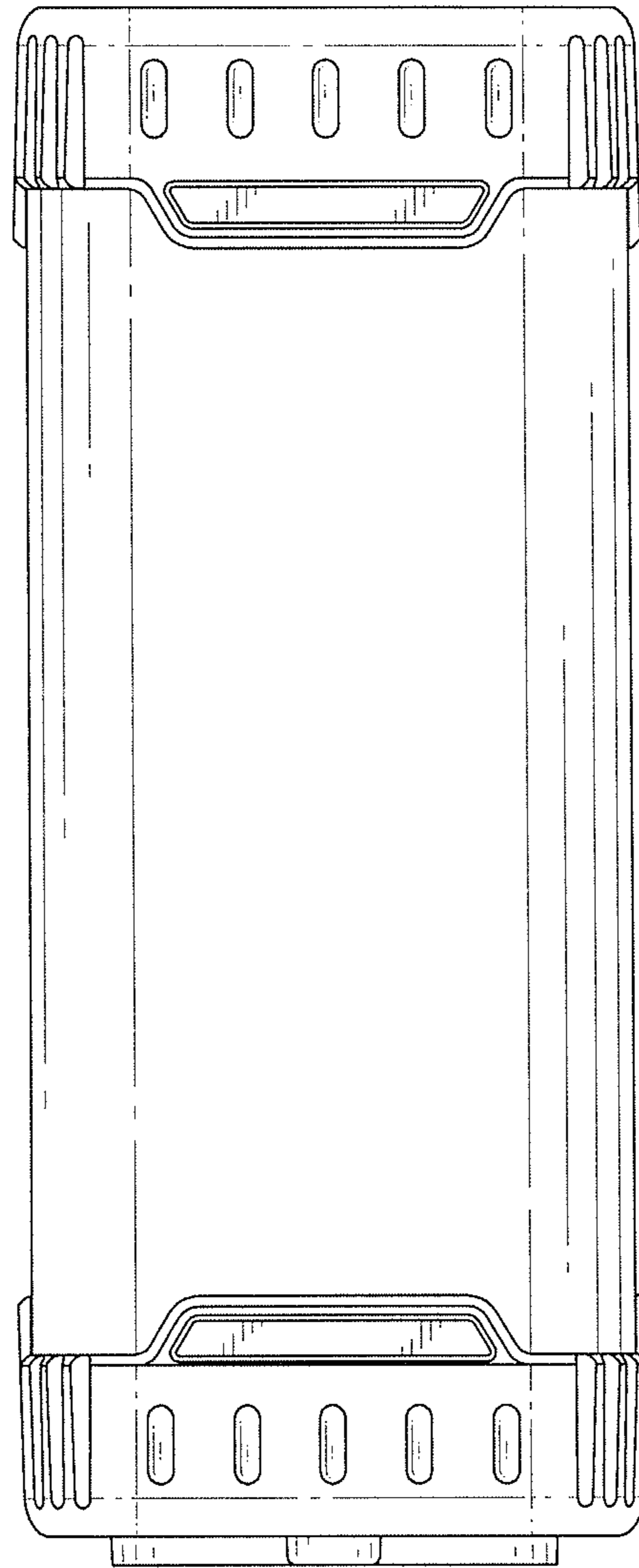


FIG. 7



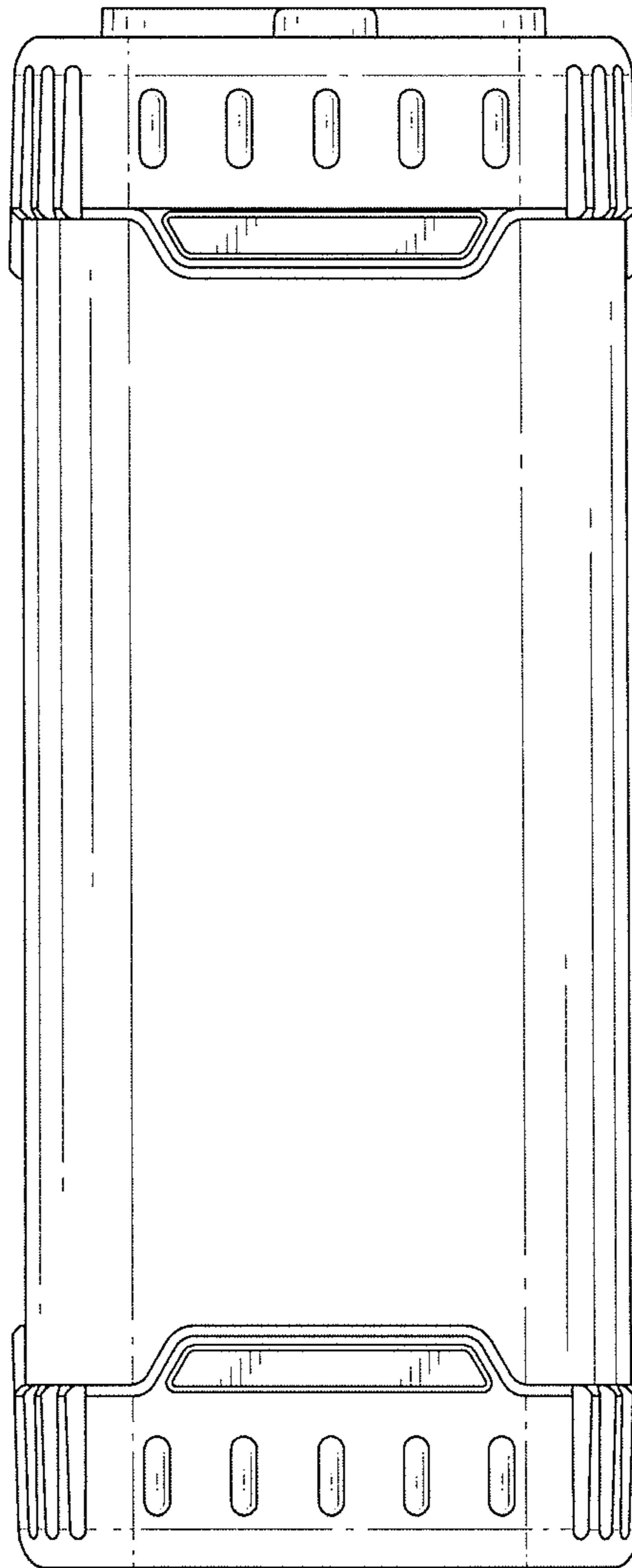


FIG. 8