



US00D835576S

(12) **United States Design Patent** (10) **Patent No.:** **US D835,576 S**
Jenkins et al. (45) **Date of Patent:** **** Dec. 11, 2018**

(54) **CHARGING CRADLE**

(71) Applicant: **SYMBOL TECHNOLOGIES, LLC**,
Lincolnshire, IL (US)
(72) Inventors: **Ian R. Jenkins**, Stony Brook, NY (US);
Edward Anthony Hackett, Surbiton
(GB); **Michael Kaminsky**, Hicksville,
NY (US)
(73) Assignee: **Symbol Technologies, LLC**, Holtsville,
NY (US)

(**) Term: **15 Years**

(21) Appl. No.: **29/558,197**

(22) Filed: **Mar. 15, 2016**

(51) **LOC (11) Cl.** **13-02**

(52) **U.S. Cl.**
USPC **D13/108**

(58) **Field of Classification Search**

USPC D13/107, 108, 109, 110, 118, 119, 184,
D13/103; D14/251, 253, 432, 434, 224,
D14/209.01, 216, 217

CPC Y02E 60/12; Y02T 90/14; Y02T 90/122;
Y02T 90/128; Y02T 90/163; H02J 7/025;
H02J 7/0042; H02J 7/0044; H02J 7/0045;
H02J 7/0003; H02J 2001/008; H02J 3/32;
H02J 3/008; H02J 7/0027; H02J 7/0013;
H02J 7/0054; H02J 7/00; H01F 38/14;
H01R 13/6675; H01M 2/1022; H01M
2/1055; H01M 10/44; H01M 10/46;
H01M 10/425; B60L 11/182; B60L
11/1809; B60L 11/1861; B60R 16/03

See application file for complete search history.

(56) **References Cited**

U.S. PATENT DOCUMENTS

D315,161 S * 3/1991 Watanabe D13/108
D445,975 S * 7/2001 Stratford D13/108

D466,511 S 12/2002 Croley et al.
D472,896 S * 4/2003 Peiker D14/253
D494,964 S * 8/2004 Lodato D14/253
D517,086 S * 3/2006 Siebel D14/453
D538,290 S 3/2007 Johnson et al.
D541,740 S * 5/2007 Tsai D13/108
D548,689 S * 8/2007 Baxter D13/108
D551,618 S * 9/2007 Aglassinger D13/108
D707,673 S * 6/2014 Lan D14/253
D772,806 S * 11/2016 Ritterling B25F 5/02
D13/103
2011/0073658 A1* 3/2011 Vassura G06K 7/10881
235/472.01

* cited by examiner

Primary Examiner — Rosemary K Tarcza
Assistant Examiner — Christy M Nemeth

(57) **CLAIM**

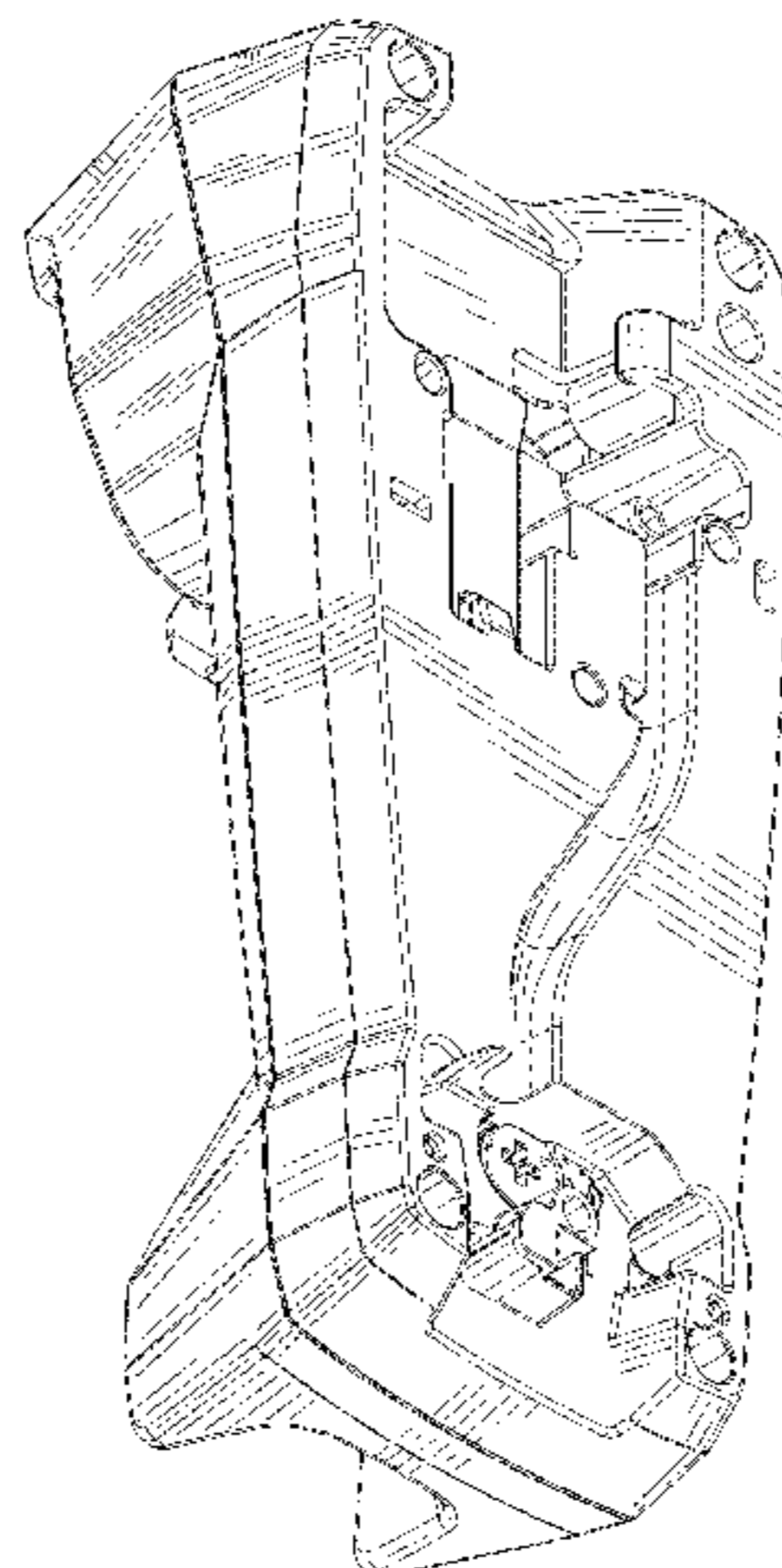
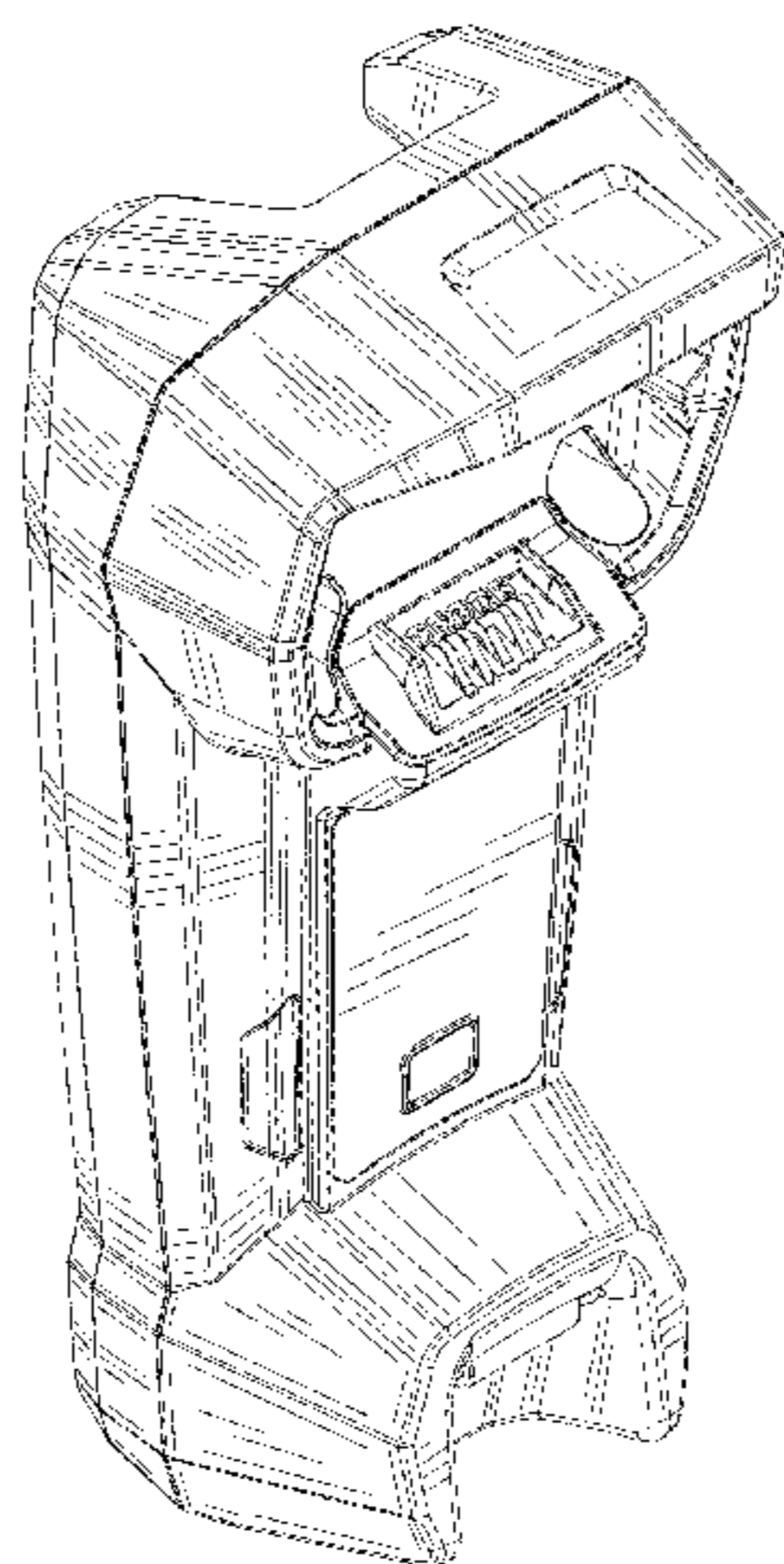
We claim the ornamental design for a charging cradle, as shown and described.

DESCRIPTION

FIG. 1 is a top, front, left side perspective view of a charging cradle of our new design;
FIG. 2 is a bottom, rear, right side perspective view thereof;
FIG. 3 is a top plan view thereof;
FIG. 4 is a bottom plan view thereof;
FIG. 5 is a rear view thereof;
FIG. 6 is a front view thereof;
FIG. 7 is a left side view thereof; and,
FIG. 8 is a right side view thereof.

The broken lines in the drawings are for the purpose of illustrating portions of the charging cradle that form no part of the claimed design.

1 Claim, 7 Drawing Sheets



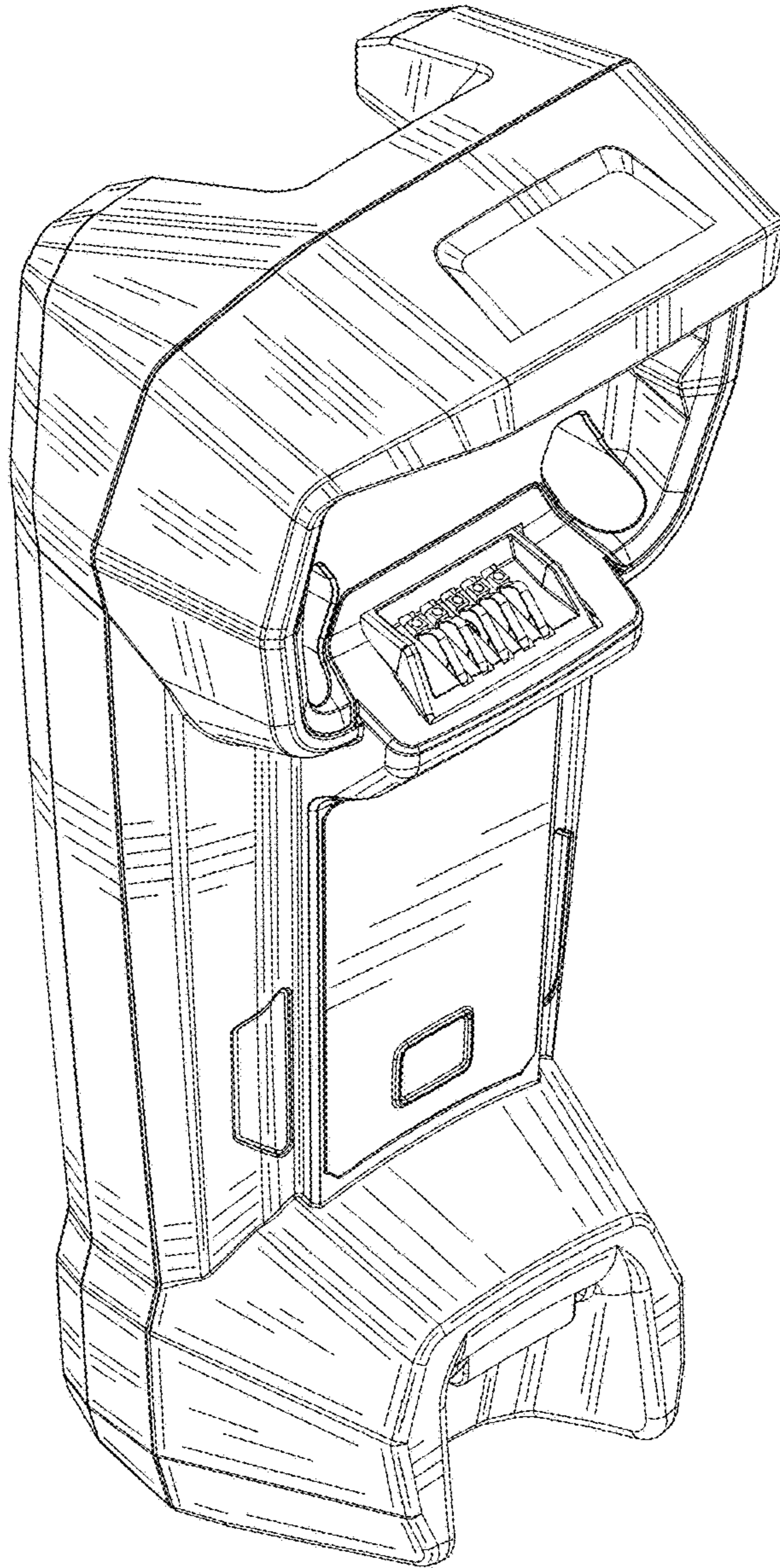


FIG. 1

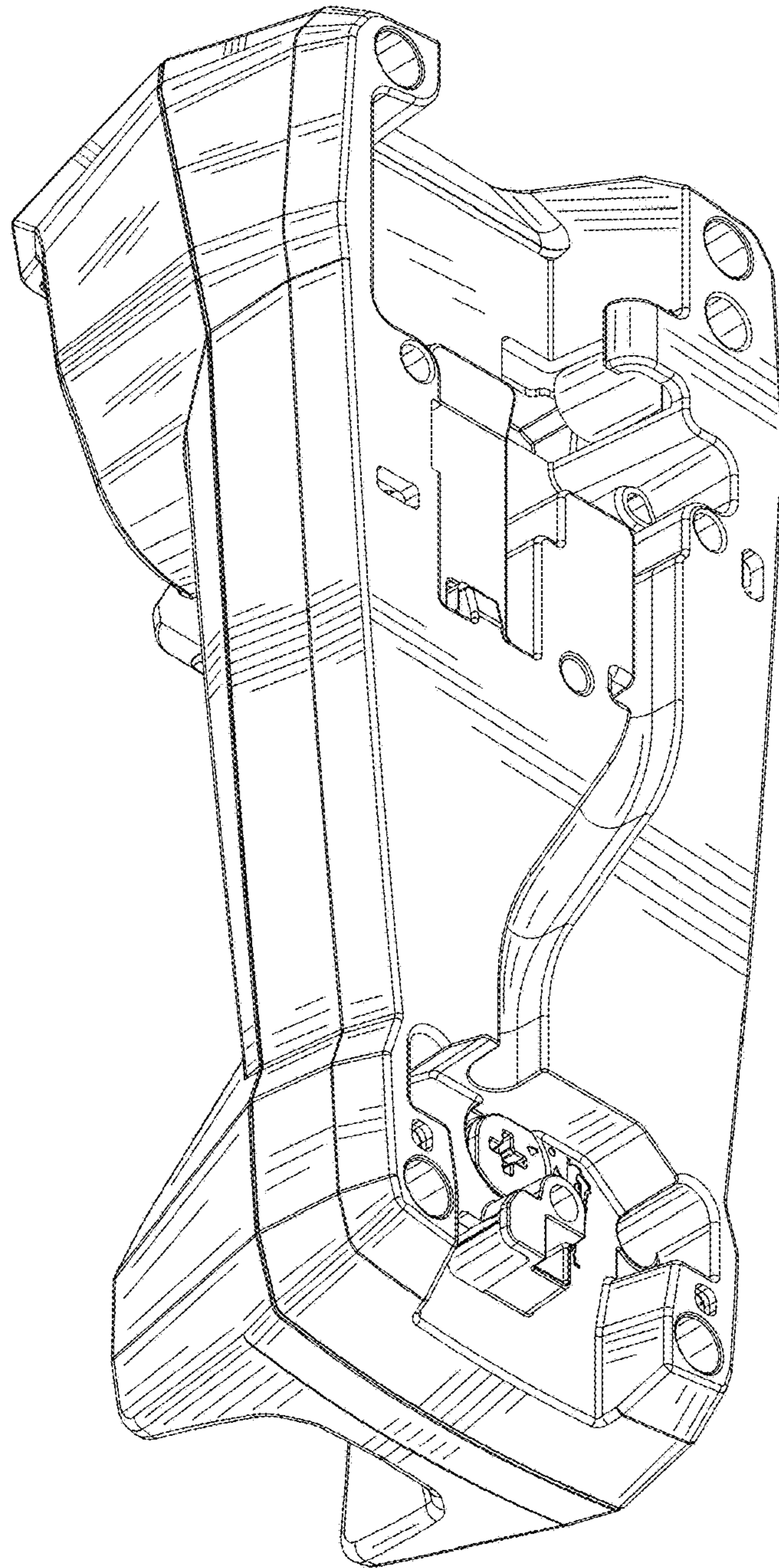


FIG. 2

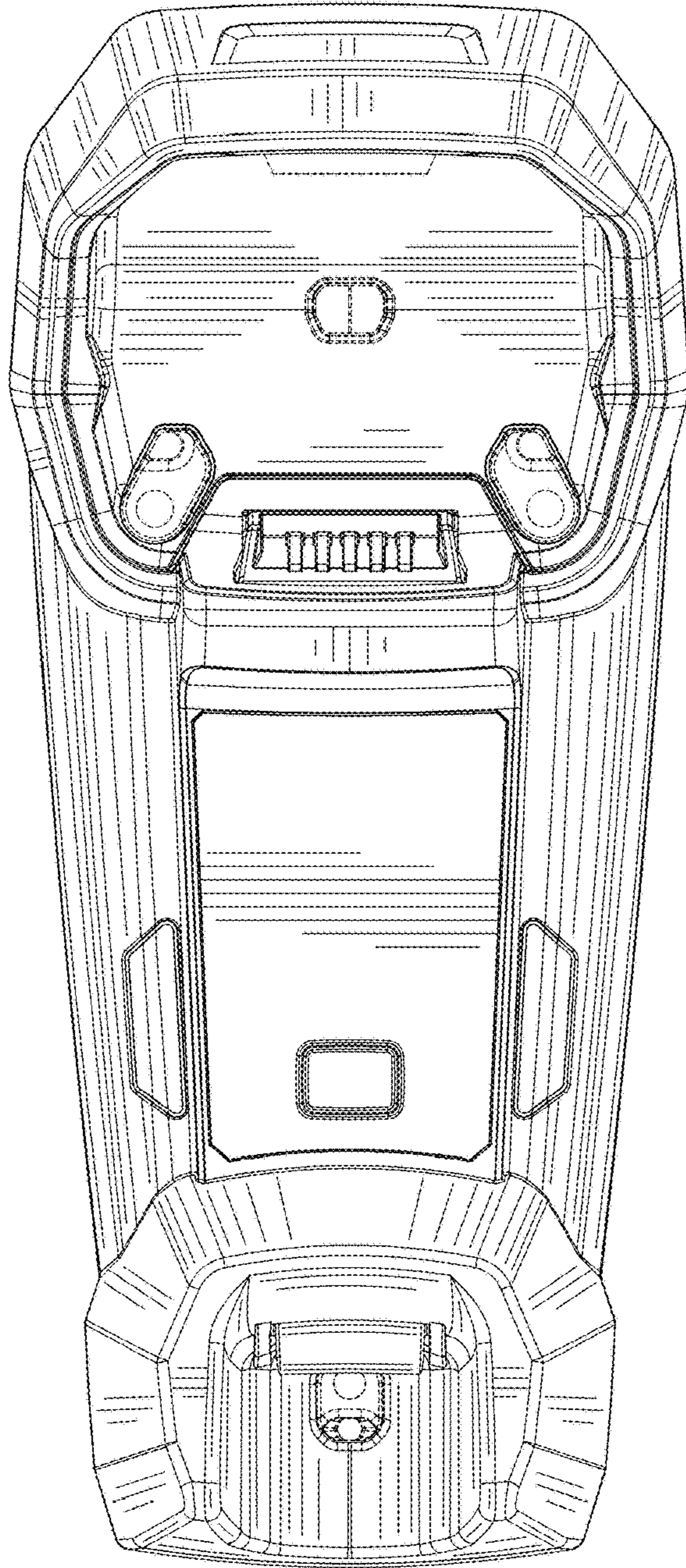


FIG. 3

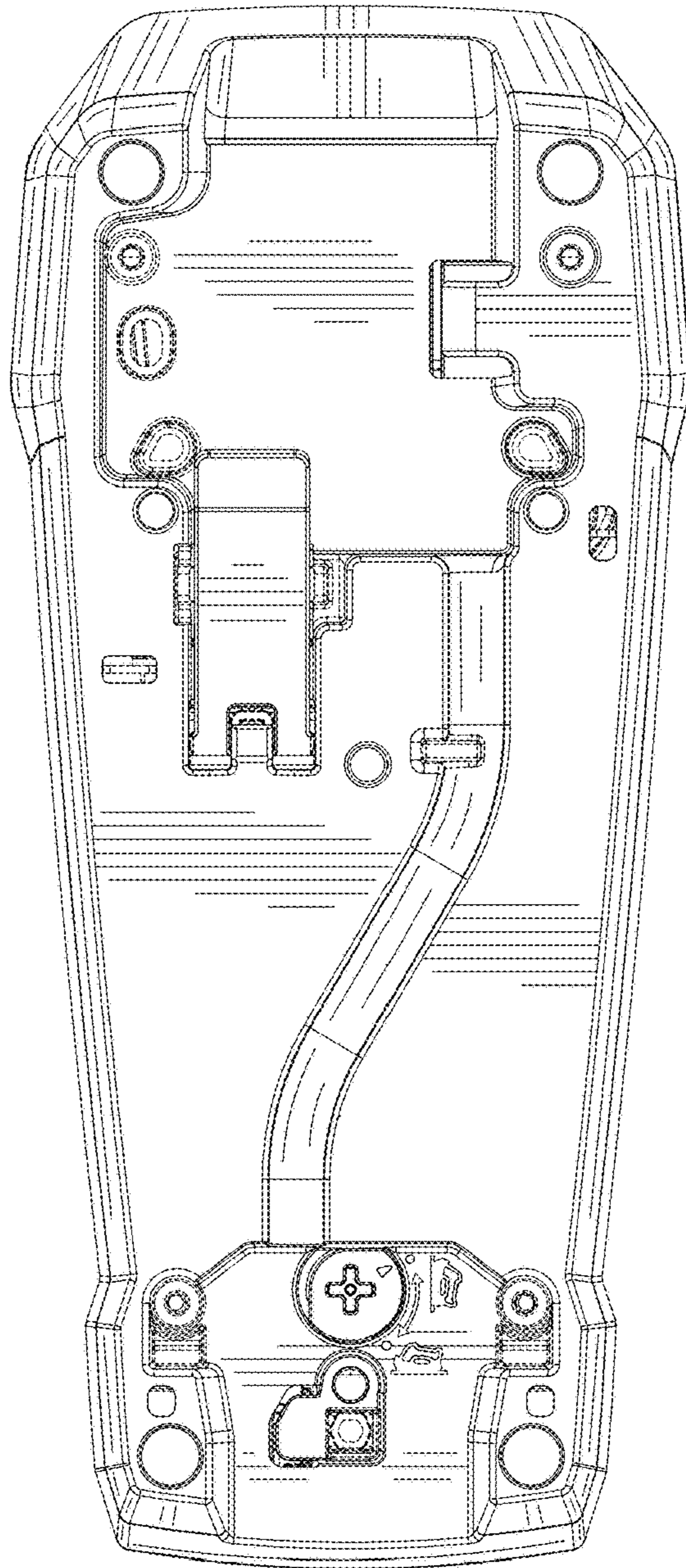


FIG. 4

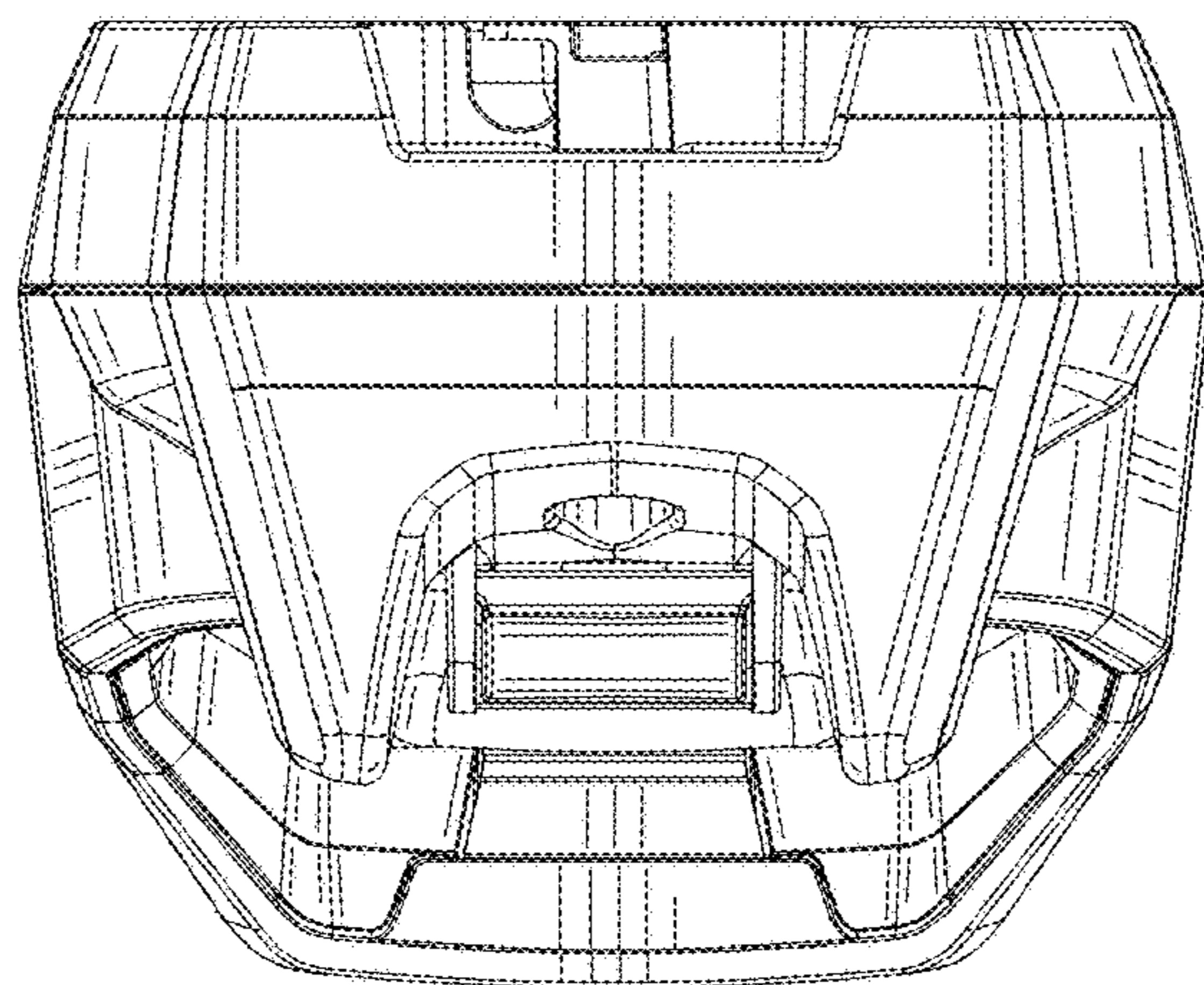


FIG. 5

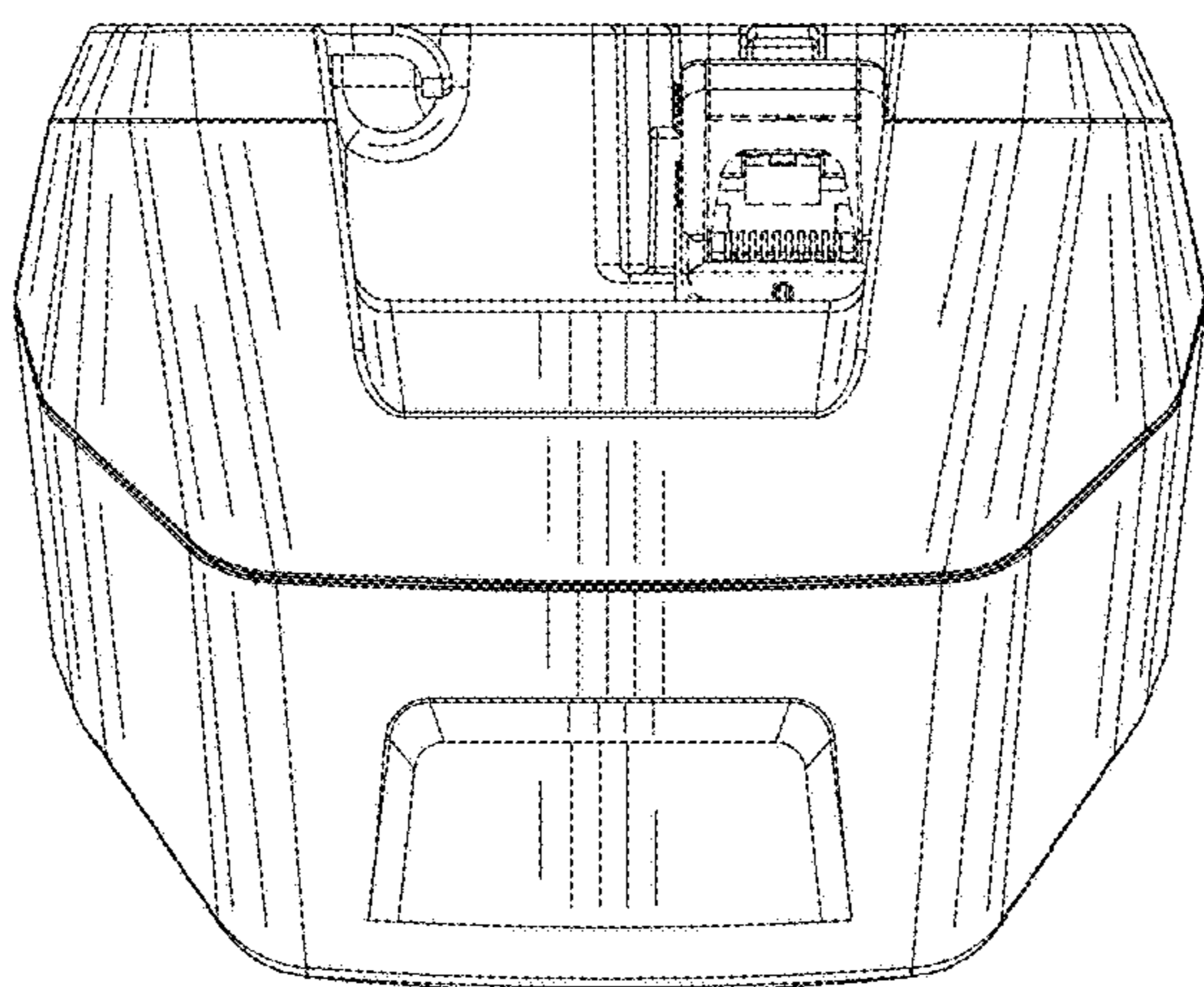


FIG. 6

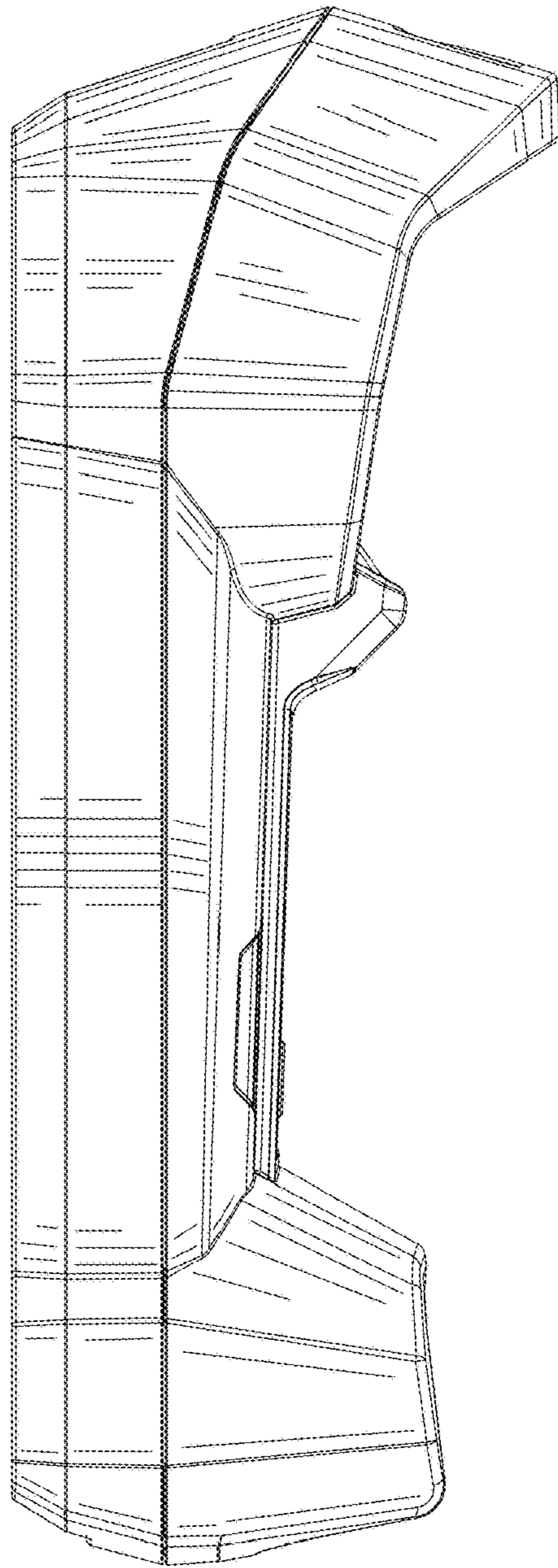


FIG. 7

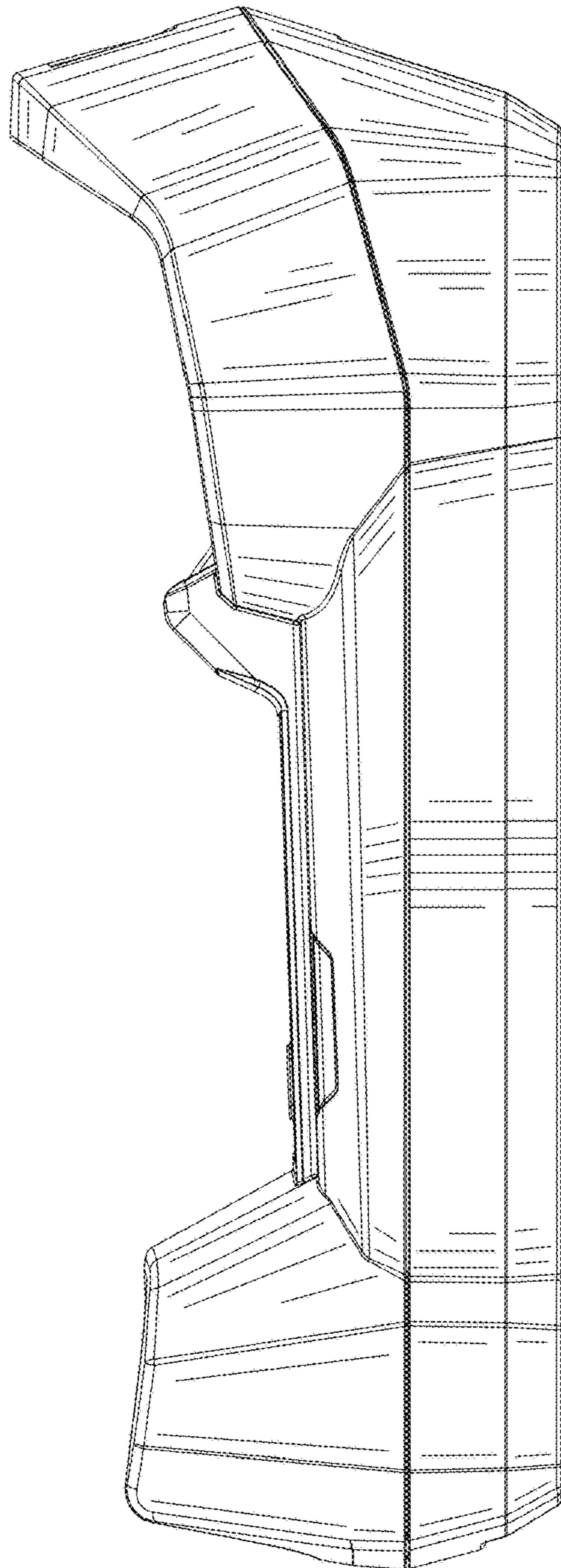


FIG. 8