



US00D835573S

(12) **United States Design Patent** (10) **Patent No.:** **US D835,573 S**
Chen (45) **Date of Patent:** **** Dec. 11, 2018**

(54) **BATTERY**
(71) Applicant: **SZ DJI Technology Co., Ltd.**,
Shenzhen (CN)
(72) Inventor: **Shaojie Chen**, Shenzhen (CN)
(73) Assignee: **SZ DJI Technology Co., Ltd.**,
Shenzhen (CN)
(**) Term: **15 Years**
(21) Appl. No.: **29/630,600**
(22) Filed: **Dec. 21, 2017**

D647,050 S * 10/2011 Tu D13/103
D660,789 S * 5/2012 Mar
D680,061 S * 4/2013 Jiang et al.
D709,444 S * 7/2014 Ibuki et al.
D725,590 S * 3/2015 Clyne D13/103
D751,989 S * 3/2016 Imai D13/147
D764,402 S * 8/2016 Rowe et al.
D768,567 S * 10/2016 Caubel et al.
D776,059 S * 1/2017 Kim D13/147
D779,439 S * 2/2017 Suzuki D13/147
D780,111 S * 2/2017 Clyne D13/103
D784,261 S * 4/2017 Rowe D13/103
D791,695 S * 7/2017 Bergman D13/103
D792,343 S * 7/2017 Rowe D13/103
D794,554 S * 8/2017 Chang D13/103

(Continued)

Related U.S. Application Data

(63) Continuation of application No. 29/555,481, filed on
Feb. 22, 2016, now Pat. No. Des. 810,677.
(51) **LOC (11) Cl.** **13-02**
(52) **U.S. Cl.**
USPC **D13/103**
(58) **Field of Classification Search**
USPC D13/102-108, 110, 118-121, 184, 199
CPC Y02E 60/12; Y02E 60/122; Y02E 60/124;
Y02E 60/50; H01M 2/02; H01M 2/022;
H01M 2/0202; H01M 2/0207; H01M
2/0212; H01M 2/1061; H01M 2/1022;
H01M 2/1055; H01M 2/1066; H01M
2/105; H01M 2/204; H01M 10/4257;
H01M 10/0436; H01M 10/48
See application file for complete search history.

(56) **References Cited**

U.S. PATENT DOCUMENTS

D391,622 S 3/1998 Huynh et al.
D400,495 S 11/1998 Deslyper et al.
D407,708 S 4/1999 Nagele et al.
D448,340 S * 9/2001 Hall D13/119

FOREIGN PATENT DOCUMENTS

CN 3480600 D 10/2005
CN 3612939 D 2/2007
CN 300855755 D 12/2008

(Continued)

Primary Examiner — Rosemary K Tarcza

(74) *Attorney, Agent, or Firm* — Sterne, Kessler,
Goldstein & Fox, P.L.L.C.

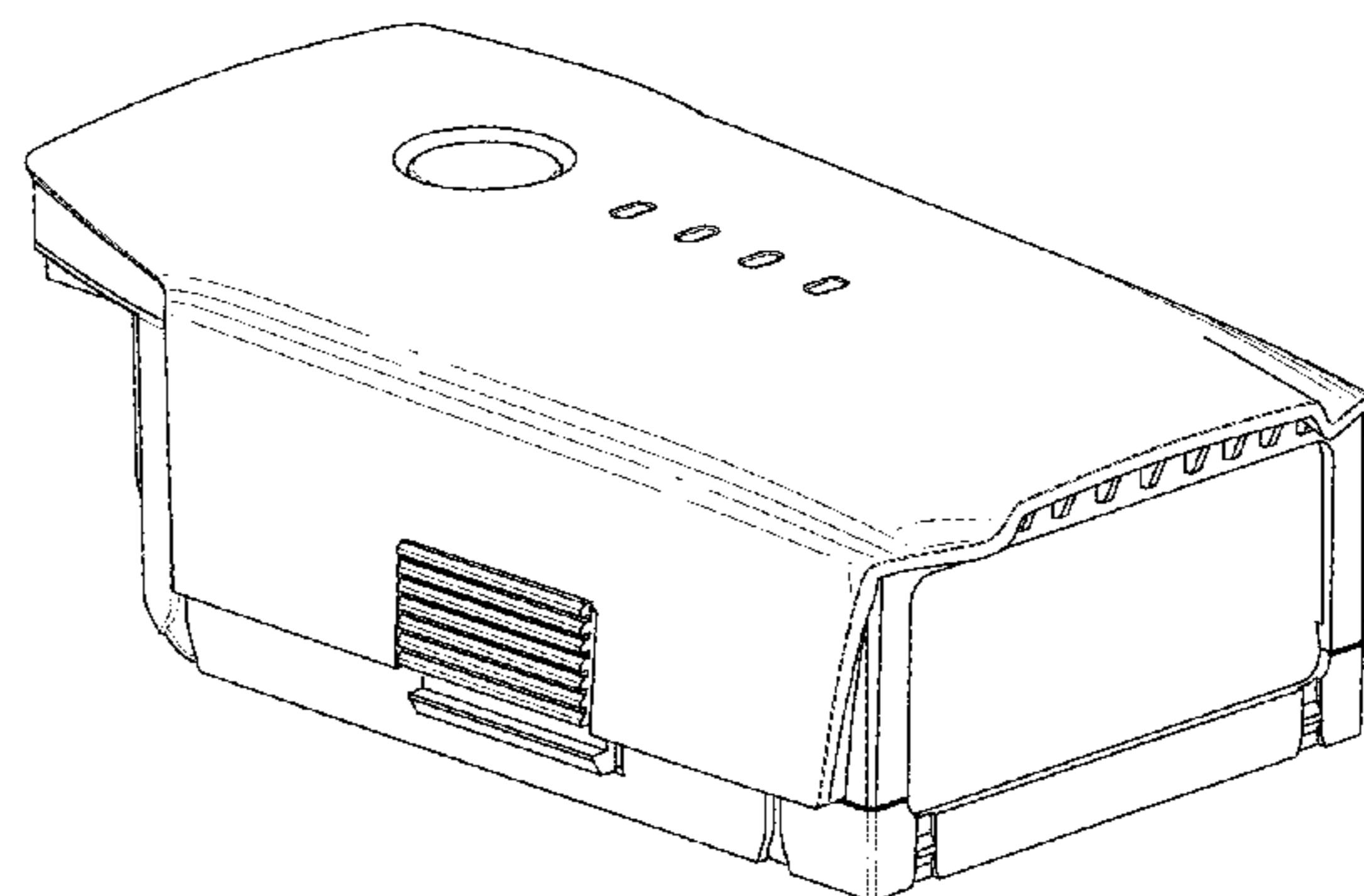
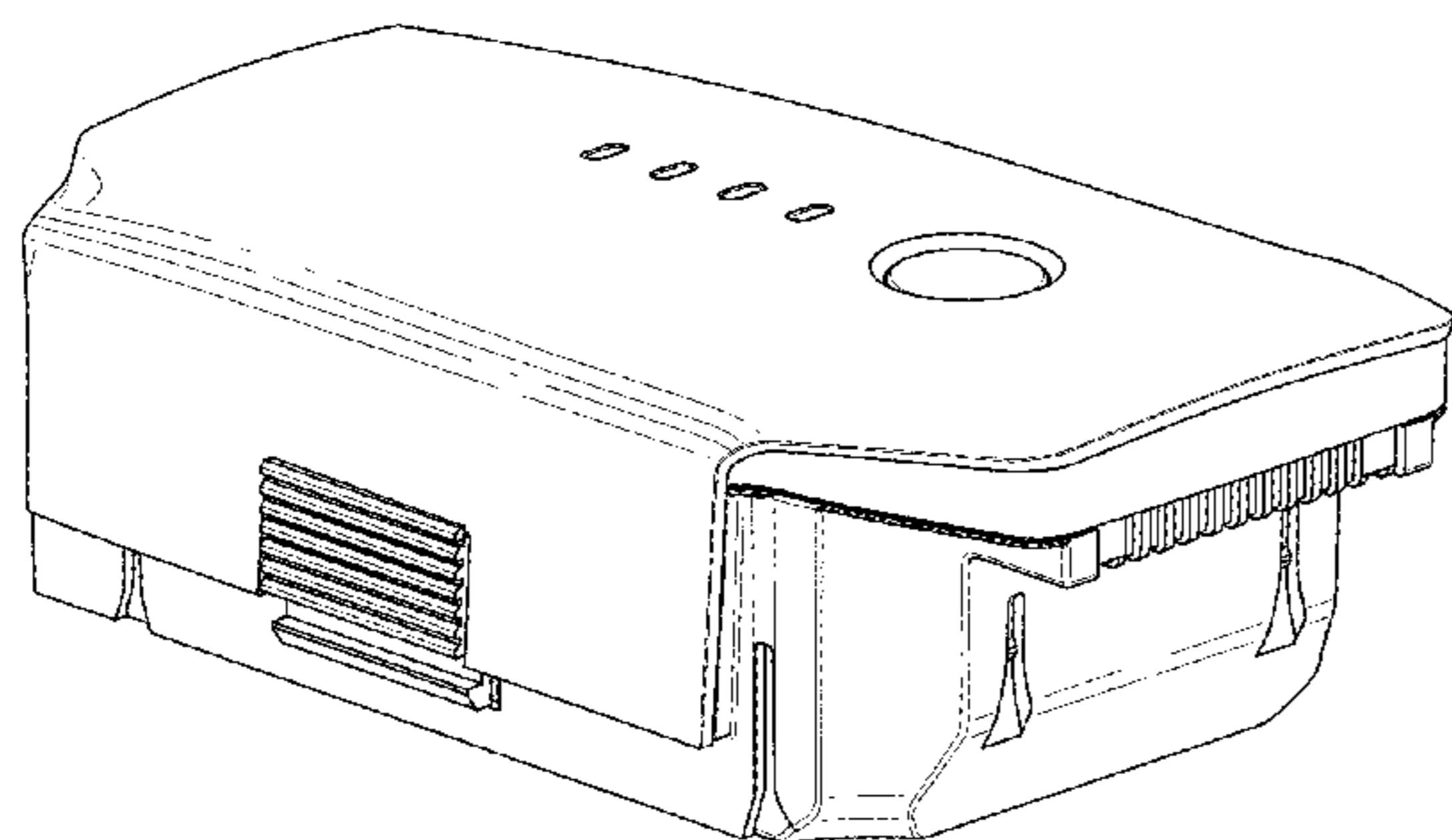
(57) **CLAIM**

The ornamental design for a battery, as shown and described.

DESCRIPTION

FIG. 1 is a top front perspective view of a battery showing
the claimed design;
FIG. 2 is a top rear perspective view thereof;
FIG. 3 is a front view thereof;
FIG. 4 is a rear view thereof;
FIG. 5 is a left side view thereof;
FIG. 6 is a right side view thereof;
FIG. 7 is a top view thereof; and,
FIG. 8 is a bottom view thereof.

1 Claim, 8 Drawing Sheets



(56)

References Cited

U.S. PATENT DOCUMENTS

D822,593 S * 7/2018 Trongone D13/103
2016/0260938 A1 9/2016 Nielsen et al.

FOREIGN PATENT DOCUMENTS

CN	301953833 S	6/2012
CN	302029981 S	8/2012
CN	302267704 S	1/2013
CN	303019388 S	12/2014
CN	303520035 S	12/2015
JP	D1283014	10/2006
JP	D1433275	2/2012
KR	30-0317397-2	2/2003
KR	30-0740591	4/2014
WO	WO DM/073199	9/2010

* cited by examiner

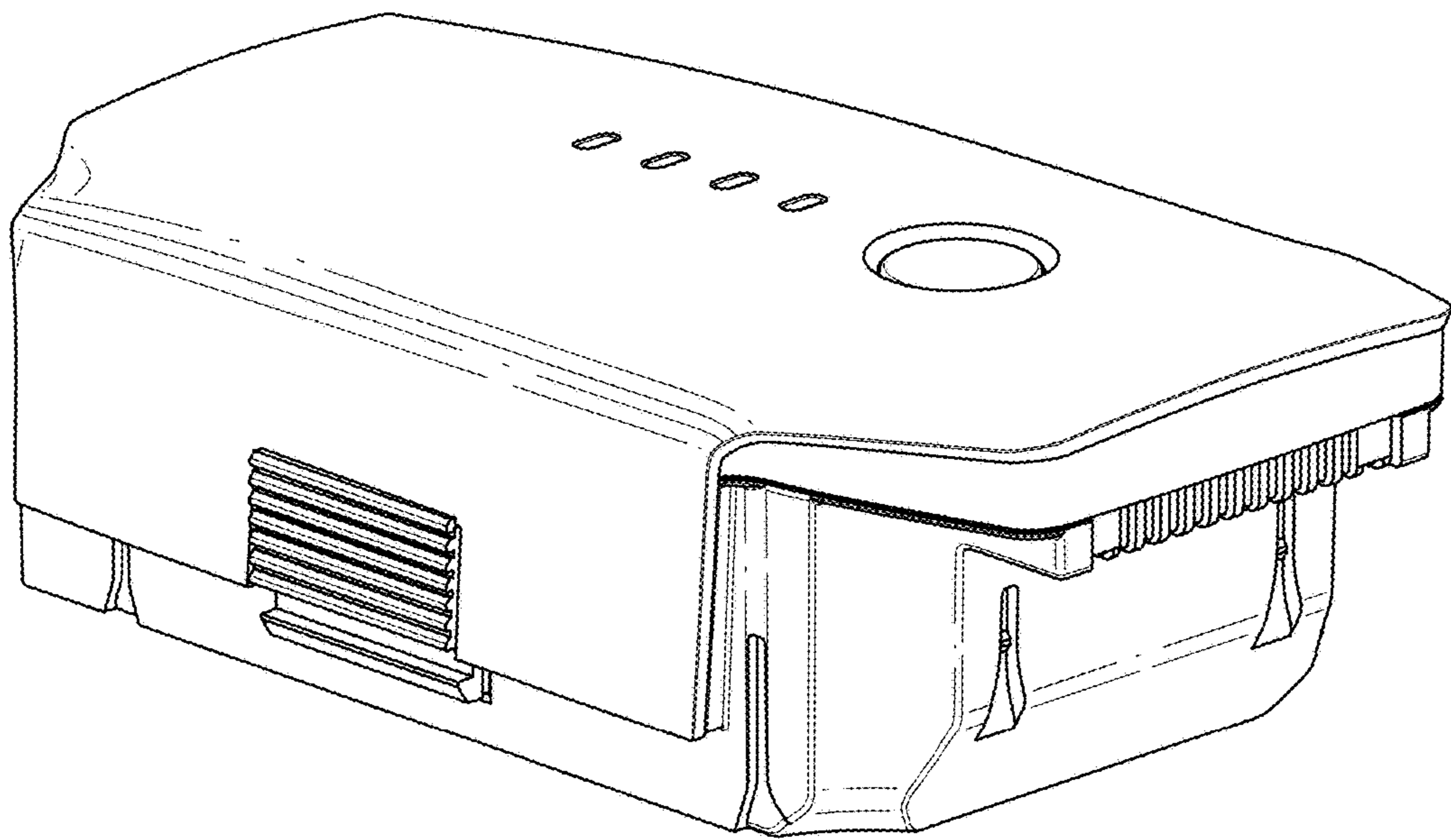


FIG. 1

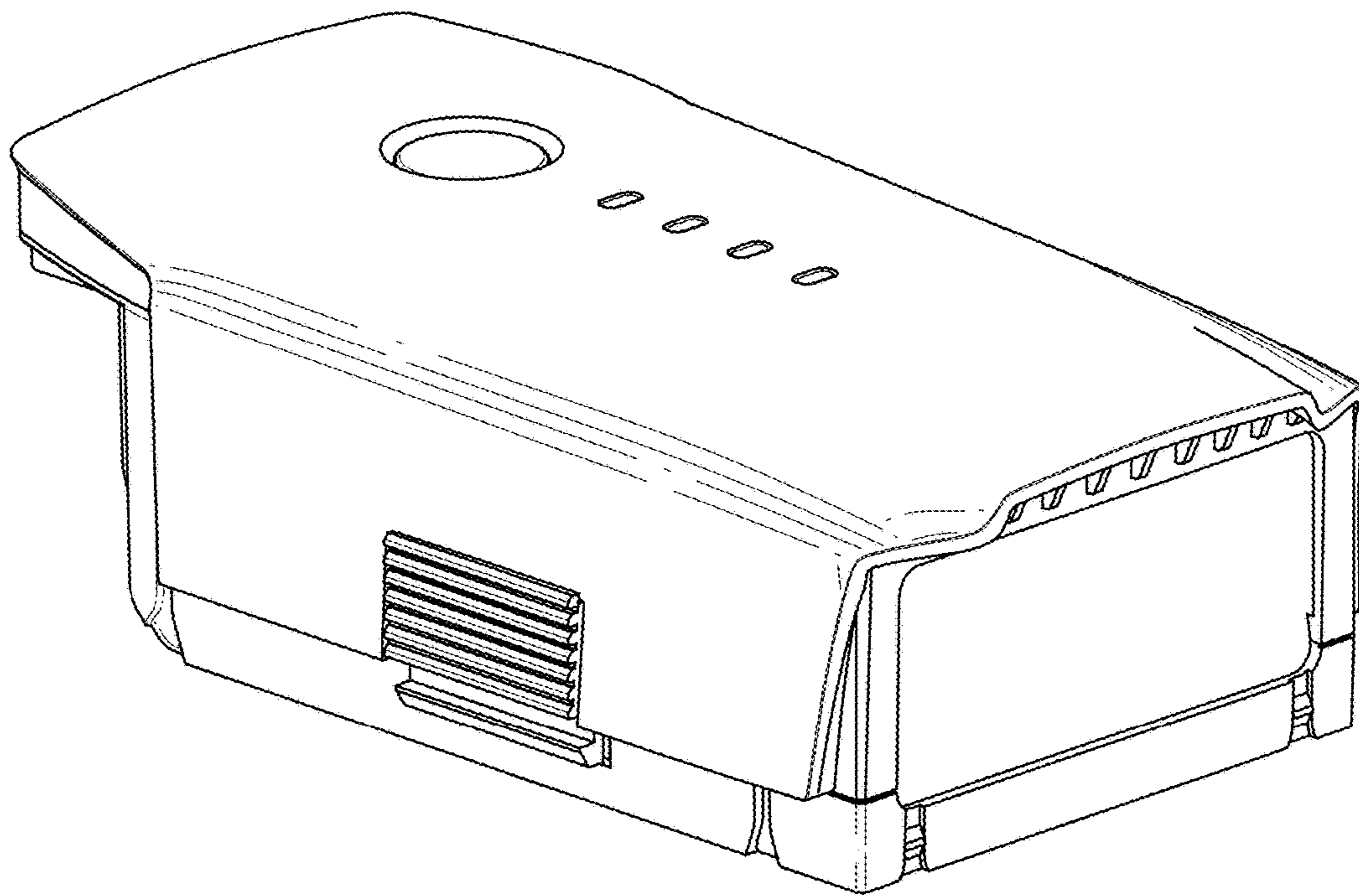


FIG. 2

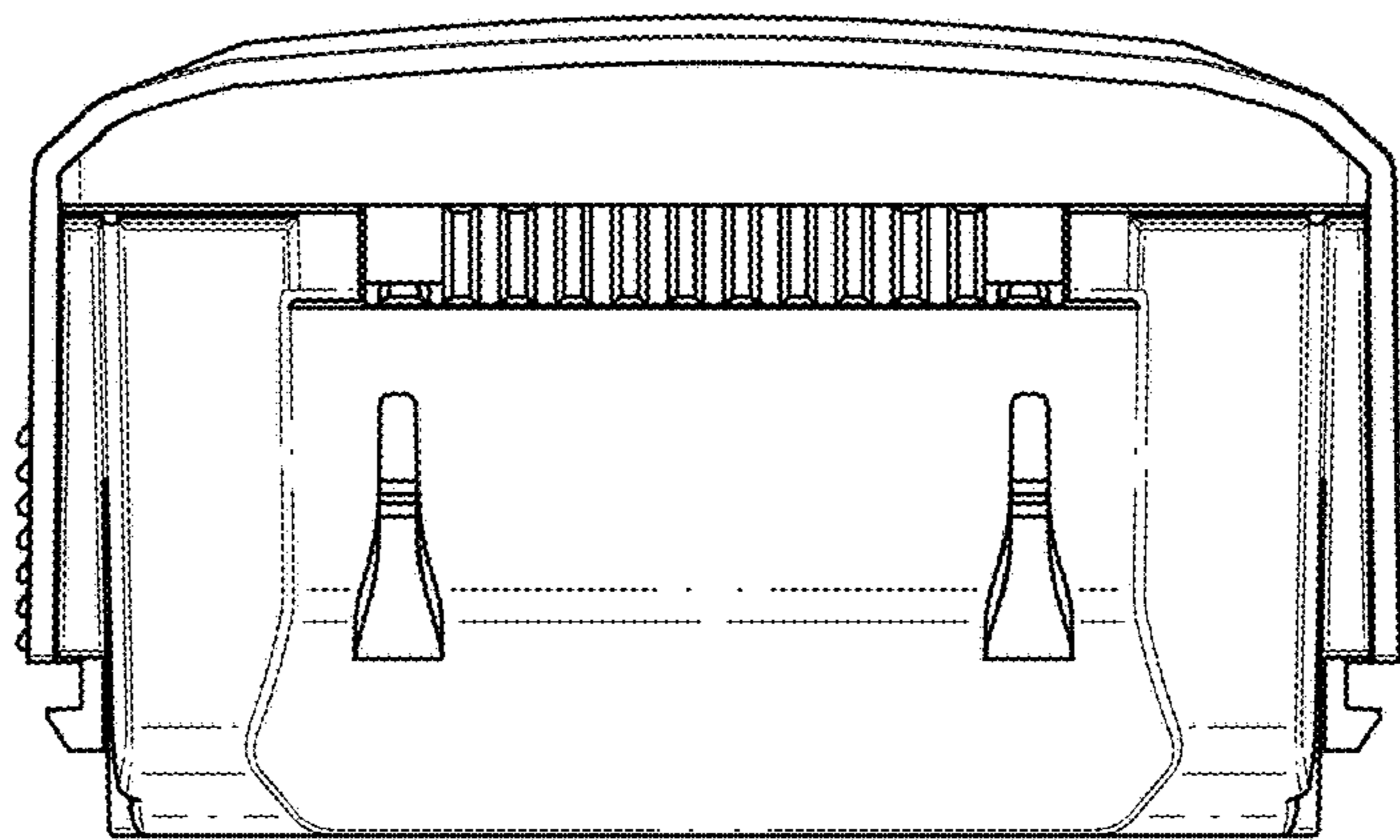


FIG. 3

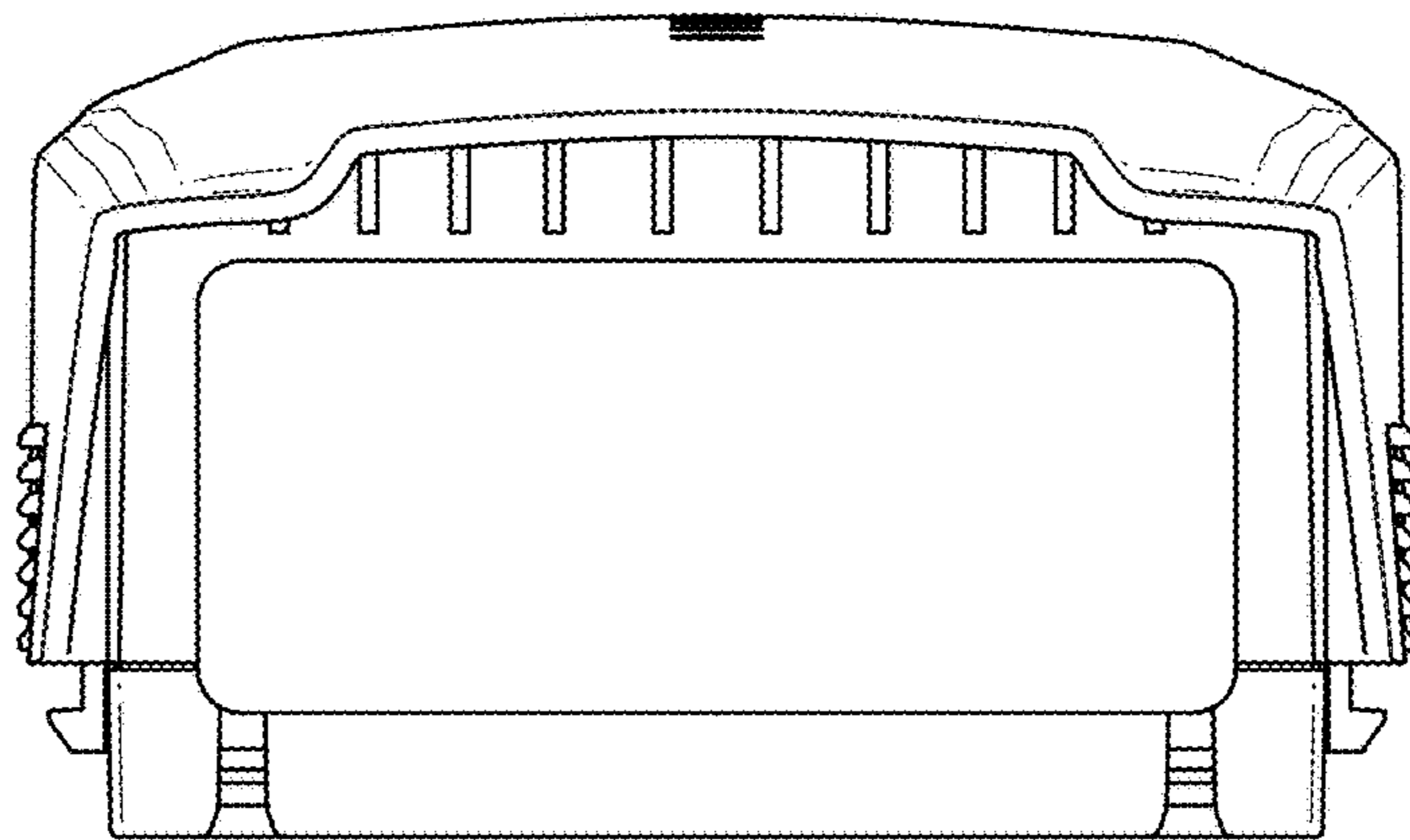


FIG. 4

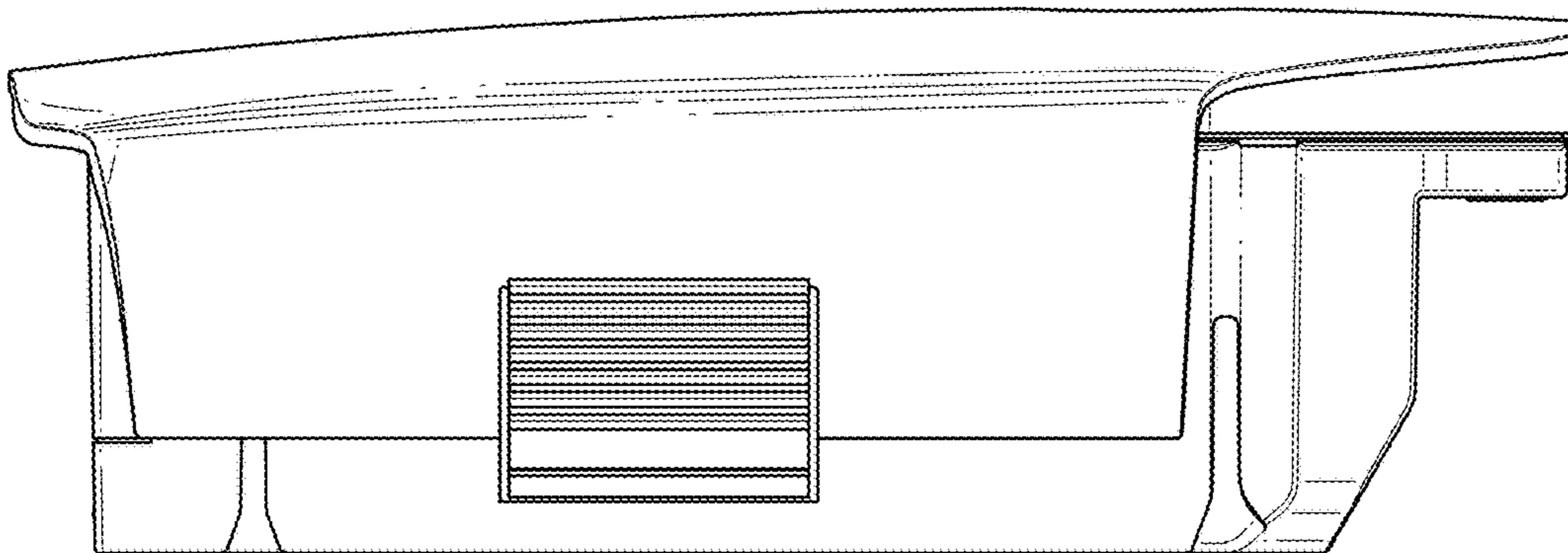


FIG. 5

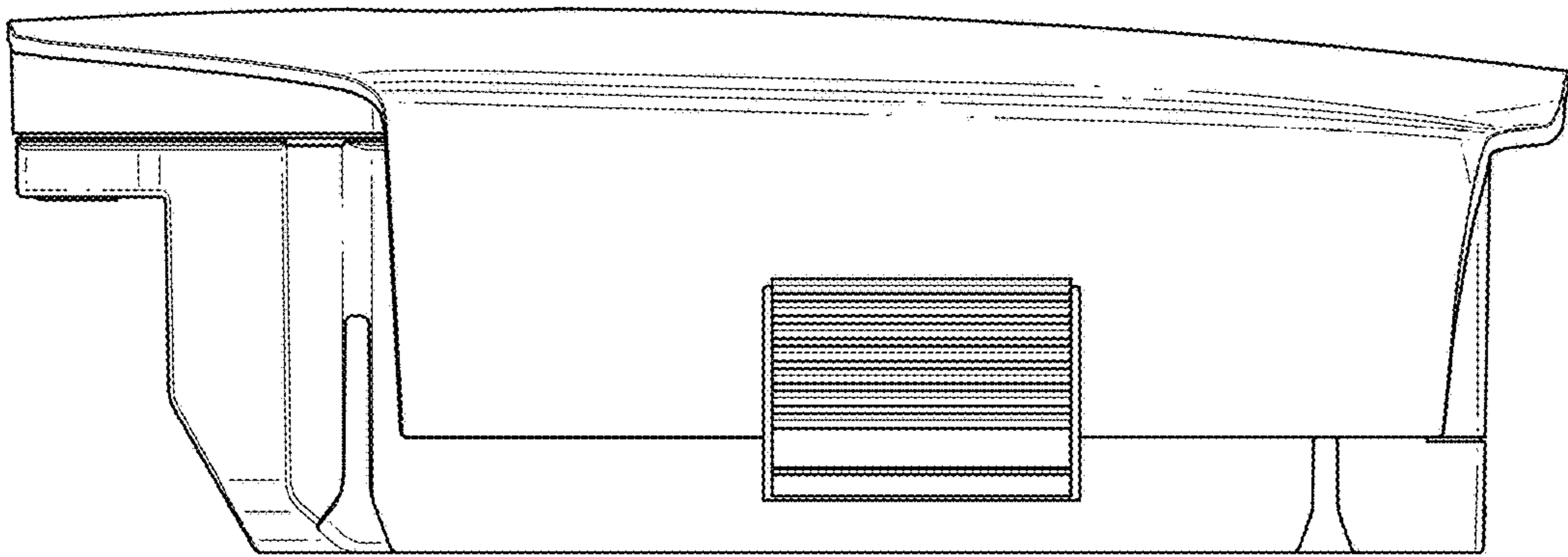


FIG. 6

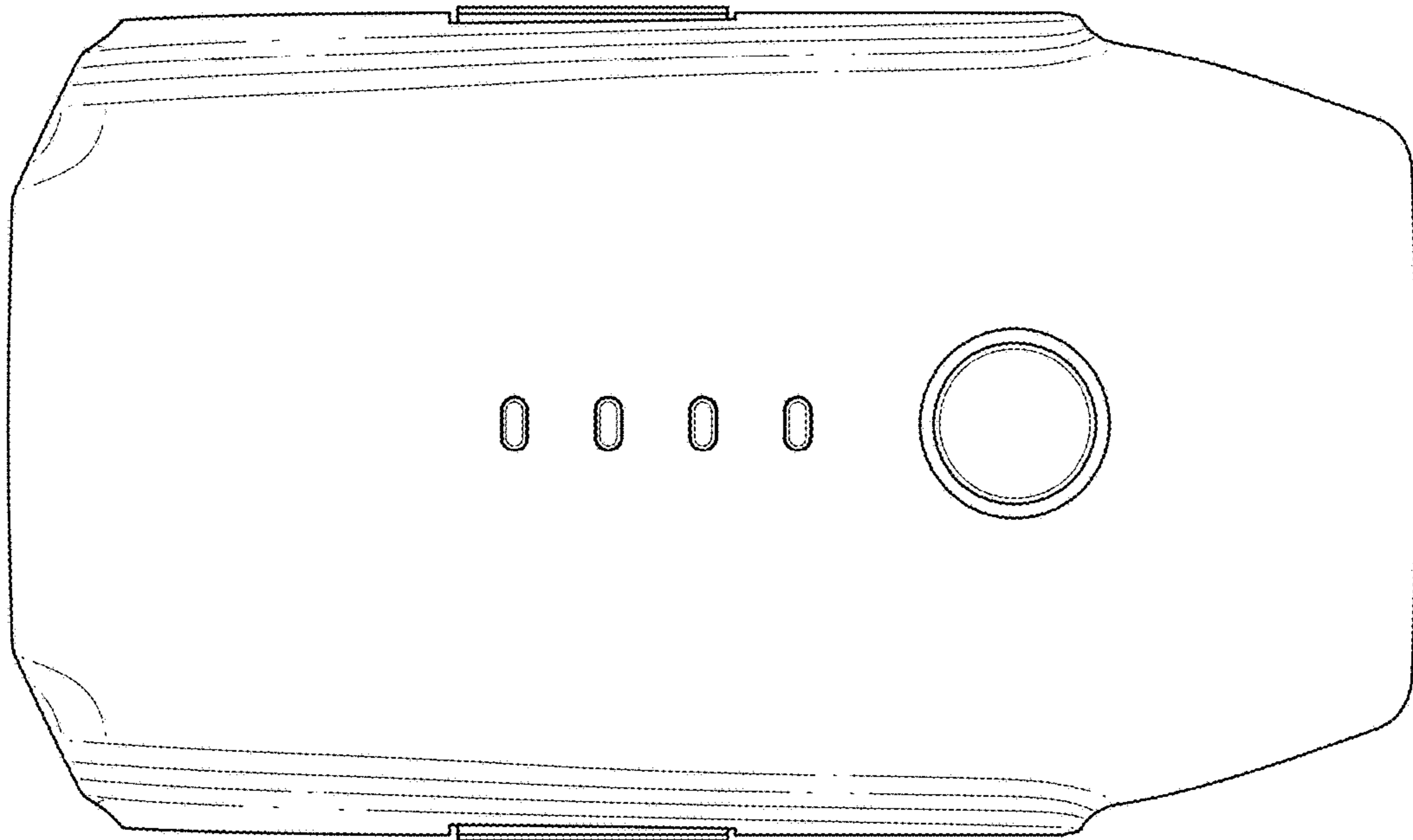


FIG. 7

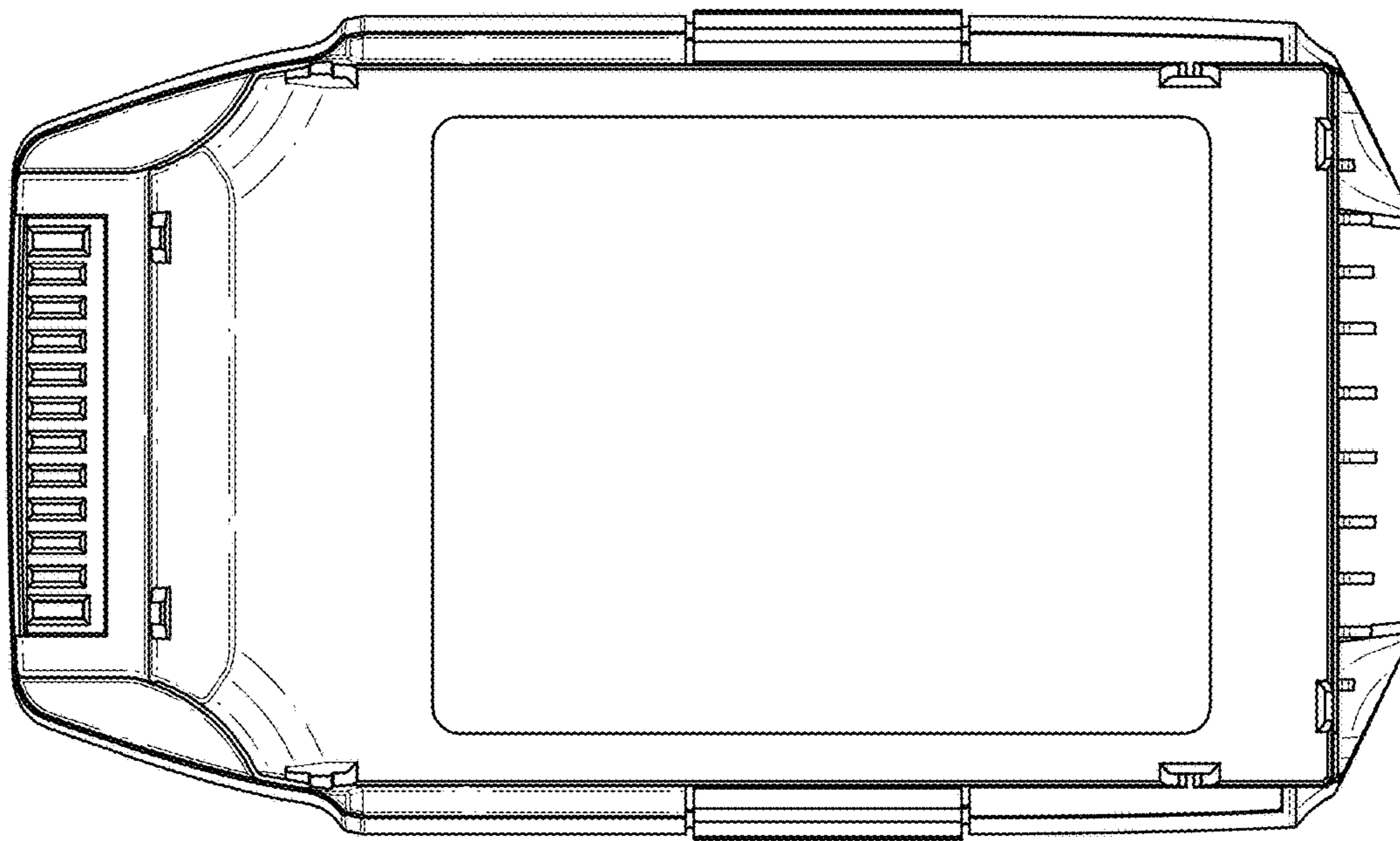


FIG. 8